

BEFORE YOU GET STARTED...

We're confident you'll love your gorgeous new Next furniture. However, it's worth making absolutely certain before you put it all together.

So, let's quickly run through these three steps:

1.COLOUR

Make sure you're happy with the colour
No need to unpack everything, just check the first component.

2. PROTECTIVE PACKAGING

If you're happy, then it's time to get opening! Start by laying everything out on the protective packaging – this will prevent anything getting scratched.

3.PARTS PAGE

Finally, double check you have all the pieces by referencing the parts page of the instructions.

TIPS FOR RETURNS

Not completely happy with the product? No problem. We just need everything back in the original packaging, so follow the steps below and this will ensure a super-smooth returns process and no delay to your refund.

DO

- Check everything is there (the 'parts page' is a handy checklist).
- Pop all the loose fittings and fixtures into the packaging provided or tie them up in a plastic bag.
- Wrap all the big components back up in the original protective packaging.
- Close up the box and seal it securely (don't be afraid to use plenty of tape).

DON'T

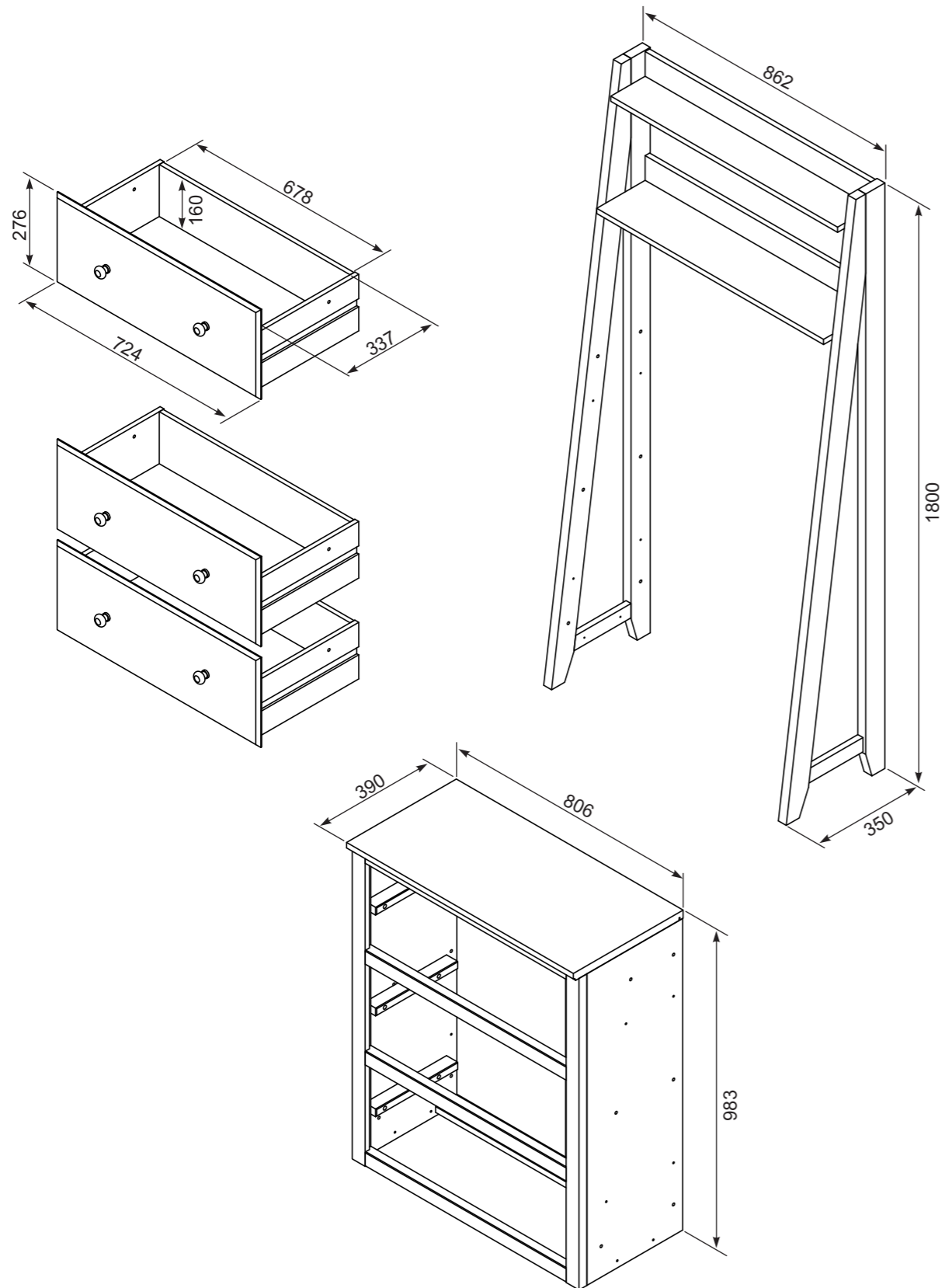
- Leave anything assembled - all components should be dismantled and separately packed.
- Put loose fixtures and fittings straight into the box.
- Throw it back in the box carelessly – as it may get damaged.

next
HOME

Then just give us a call on 0333 777 8999 and we'll sort out a pick up time for you.

next

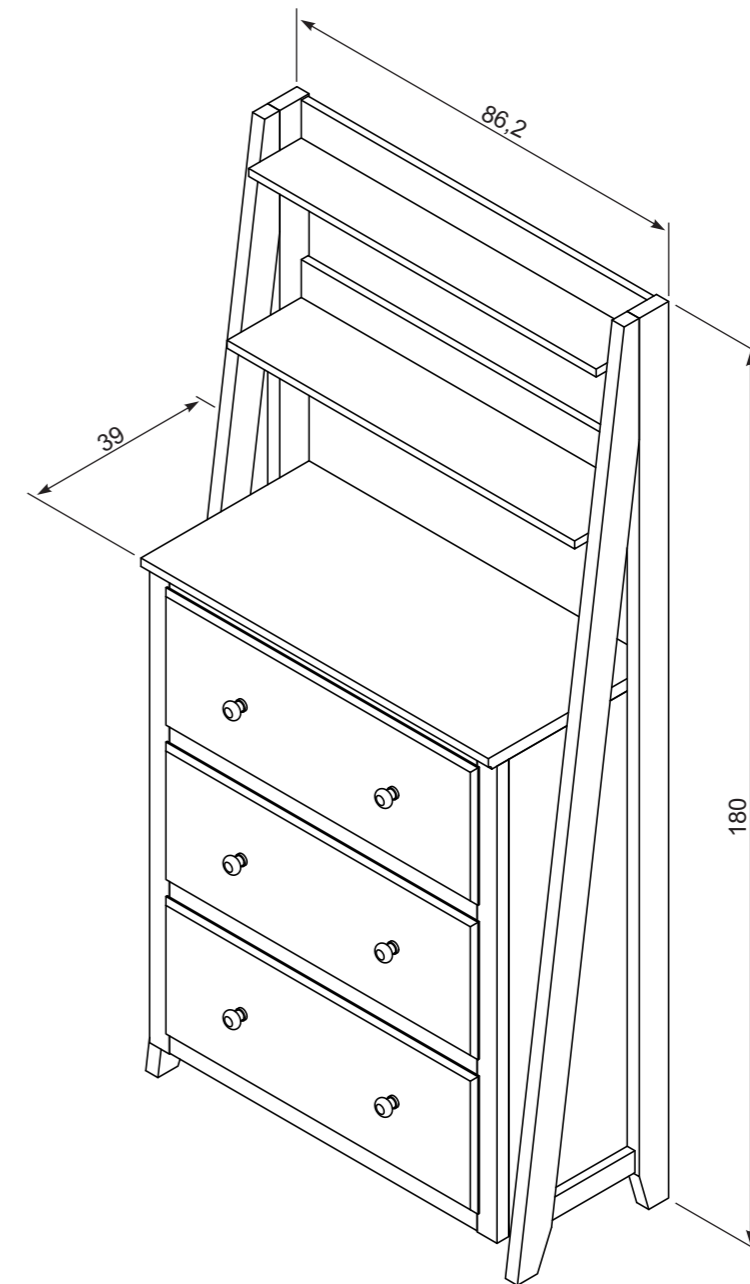
ASHINGTON LADDER CHEST
115455
Assembly instructions



next

ASHINGTON LADDER CHEST
115455
Assembly instructions

Actual product size
H180 x W86,2 x D39cm



Need Help?

With: Assembly instructions
Missing or damaged parts

CALL: 0333 777 8999

IMPORTANT - RETAIN FOR FUTURE REFERENCE

BEFORE YOU START

IMPORTANT - RETAIN FOR FUTURE REFERENCE - READ CAREFULLY.

Warnings

Installation shall be carried exactly according to the manufactures instructions otherwise a safety risk can occur if incorrectly installed.

We suggest you retain these instructions for future reference.

Keep fittings out of children's reach and keep children well away from the construction area.

This product should only be used on firm, level ground.

Please periodically check all fittings and re-tighten as necessary.

Please do not sit or stand on your furniture.

Avoid exposing the furniture to excessive heat or direct sunlight as this can cause deterioration of the colour.

Unwrap all packaging materials and place the components on top of the carton box or on a clean floor to protect it from damage.

Assembly to be carried out by a competent adult only.

During assembly children shall be kept away from the product due to possible risk of injury.

Do not use this item if any part is broken or missing

Important: Retain these instructions for future reference.

This product is suitable for children of the age range of 3-12 years

The maximum child weight or load for which the product is suitable.

Regularly check all fastenings to ensure that they are properly tightened.

Do's

We suggest you spend a short time reading through this leaflet before you start.

When you are ready to start, make sure that you have the right tools and plenty of space.

Unwrap all packaging materials and place the components on a clean surface to protect it from damage.

We recommend that the packaging is used to protect the surfaces during assembly.

Carefully check that you have all the parts before beginning assembly

Due to the size of the product we recommend that it is assembled in the room intended for use.

Ensure the product is fully assembled as illustrated and all fixings are fully tightened before use.

Wipe occasionally with a soft cloth slightly dampened with water. Then buff with a dry clean soft cloth.

Wood will mellow and change colour over time, we recommend that ornaments and items placed on the surface are moved regularly for the first few months to prevent uneven mellowing.

Don'ts

Do not drag or pull your furniture.

Do not use silicone based furniture polish. Silicone in furniture polishes can break down the finish.

Never allow any kind of liquid to remain on your furniture.

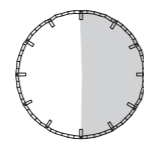
Absorption can cause wood to warp or finishes to de-laminate.

Do not place hot items (e.g. hot drinks) directly on to the wood surface. Please make sure you use a placement or coaster.

Number of people required to assemble

Two persons are required to assemble this item.

Time to assemble

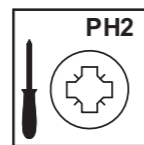


30 MIN

2 PERSON BUILD



Tools required



not supplied

Missing parts

If you are missing any fixtures and fittings for your product please contact our customer service team on 0333 777 8999 and they will be happy to arrange for a replacement to be sent to you free of charge.

Home service technicians

If you have a fault with your product please contact our customer service team on 0333 777 8999. If you have had the product for 28 days or less you may be offered a replacement, refund or for a fully trained home service technician to visit you home to assess the fault and repair the product where possible. If you have had the product for more than 28 days we will send an independant home service technician to review and repair the product where possible and recommend further action.

You can write to us at

Home Customer Services
Next Retail Ltd,
Desford Road,
Leicester,
LE19 4AT

To View our full furniture range please visit www.next.co.uk

19

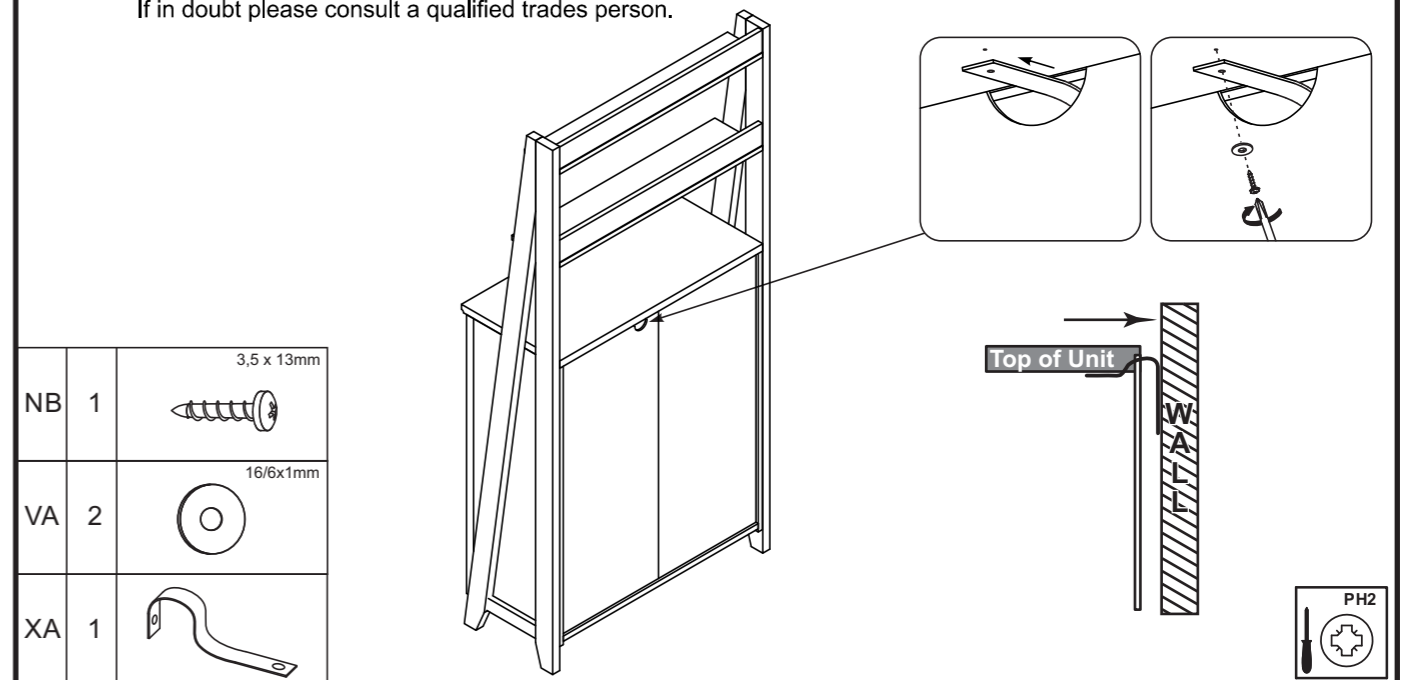
WARNING in order to prevent overturning this product must be used with the wall attachment device provided. Secure the other end of the strap to the wall with an appropriate screw and wall plug for your wall type (not provided).

To hide the strap behind the unit, drill the hole lower than the top of unit.

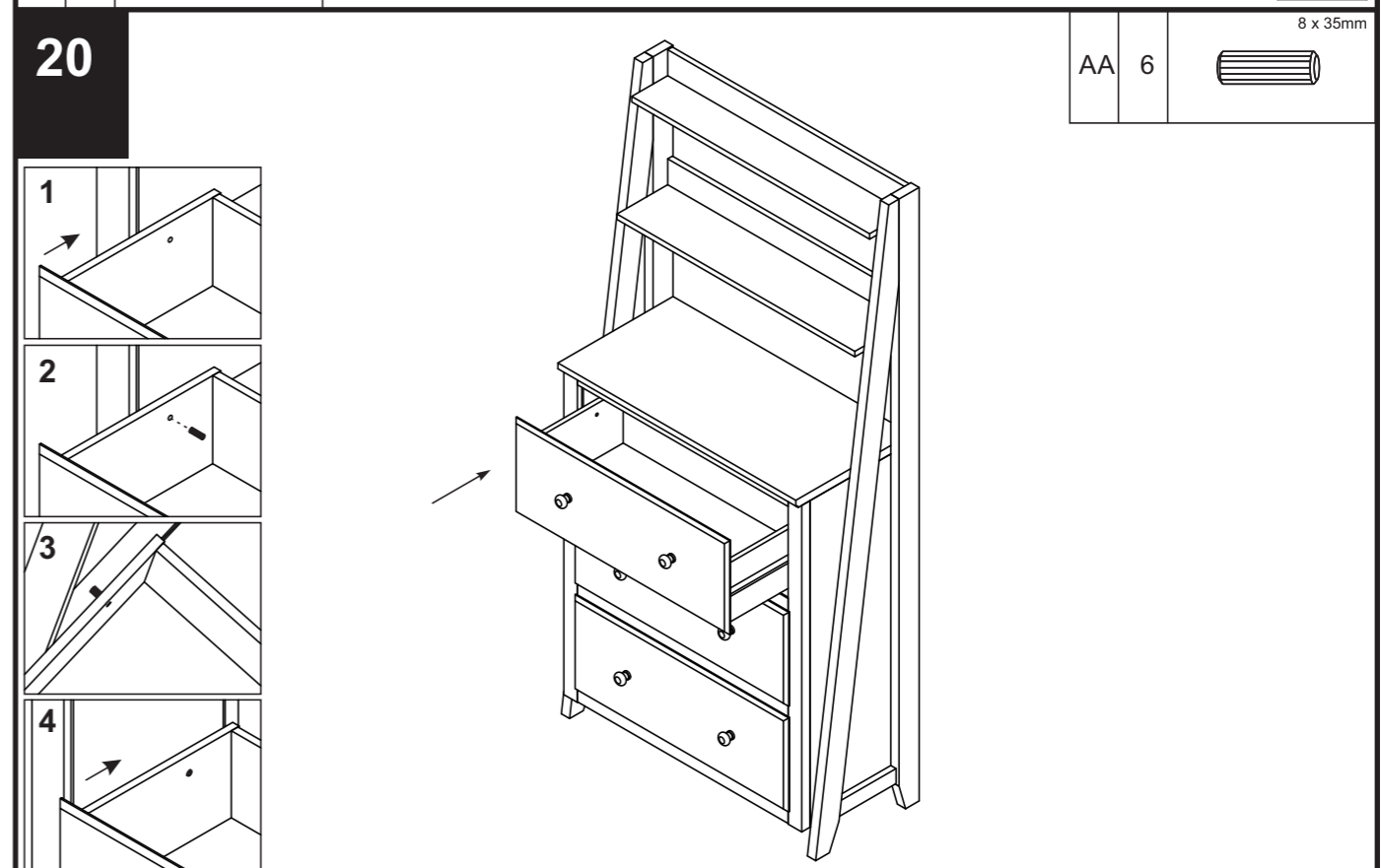
Warning: Always ensure intended wall area to be drilled is free from hidden electrical wires, water and gas pipes.

NB: Wall fixings are not included-Please source suitable fixing for your wall type.

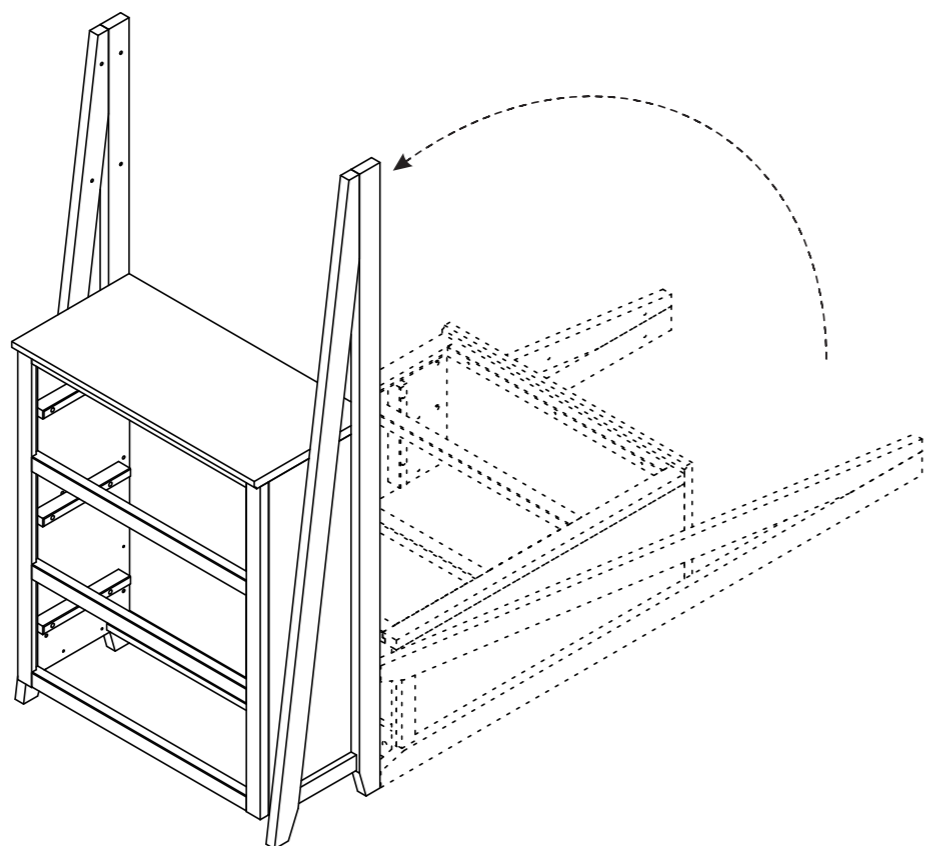
If in doubt please consult a qualified trades person.



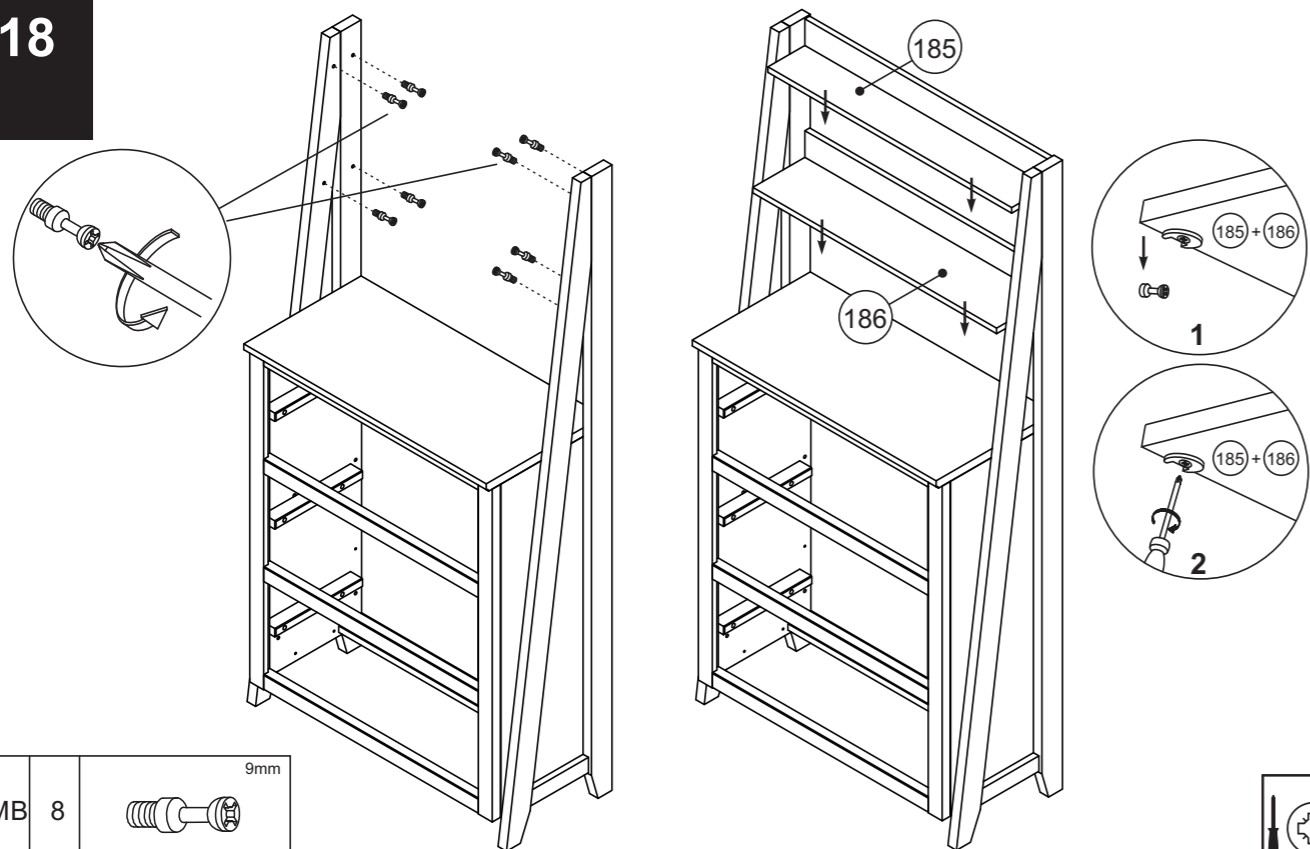
20



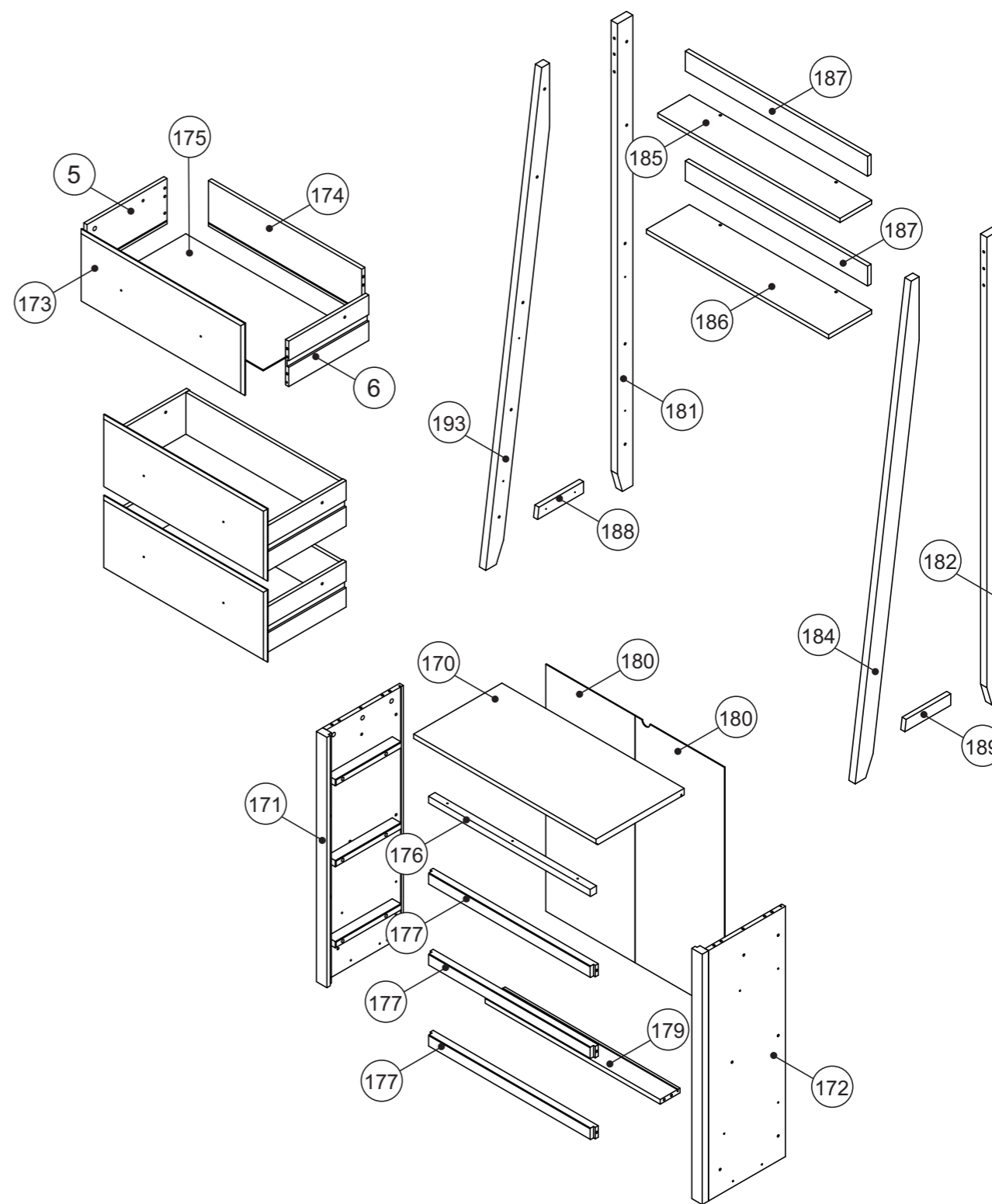
17



18

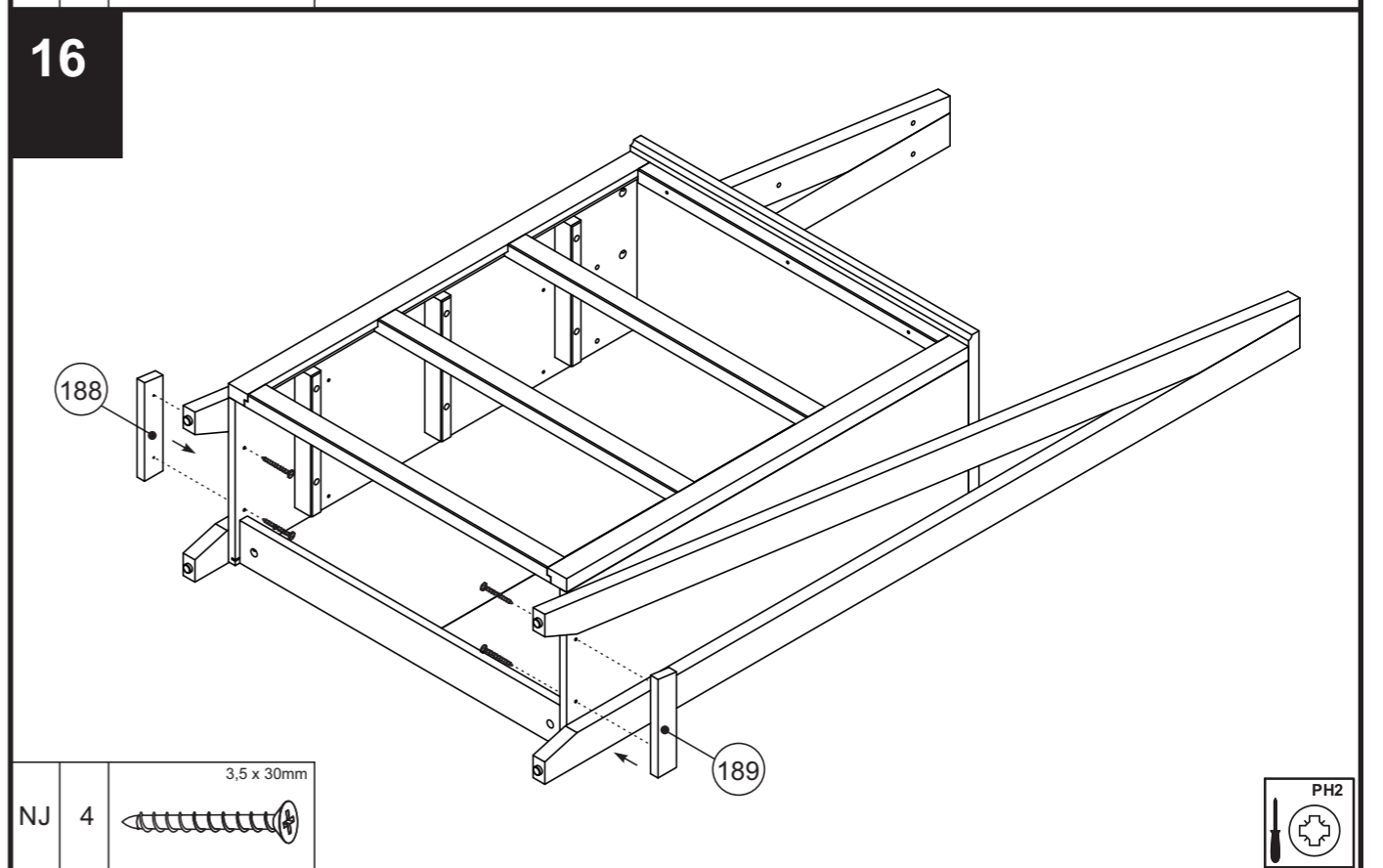
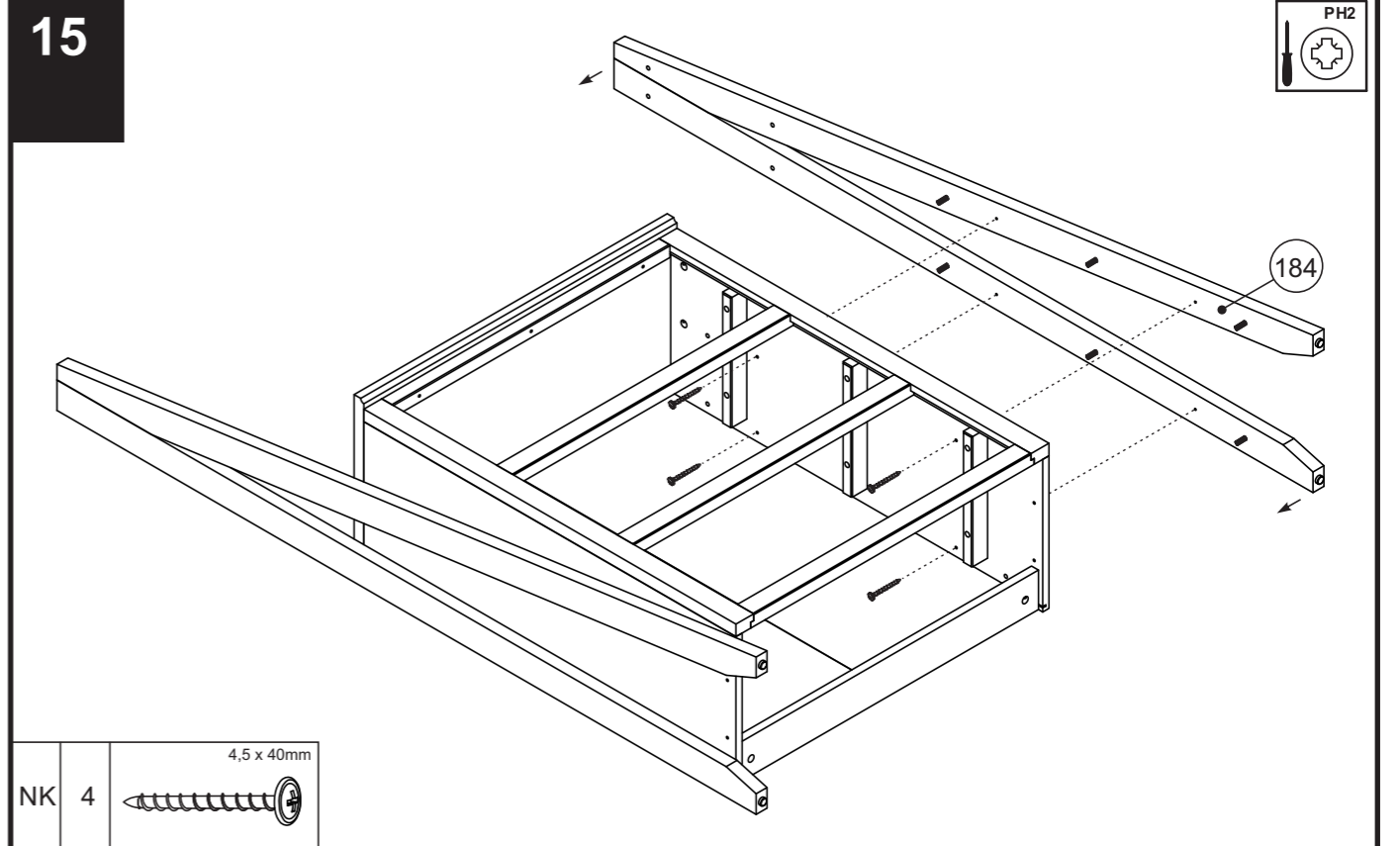


GETTING TO KNOW YOUR PRODUCT

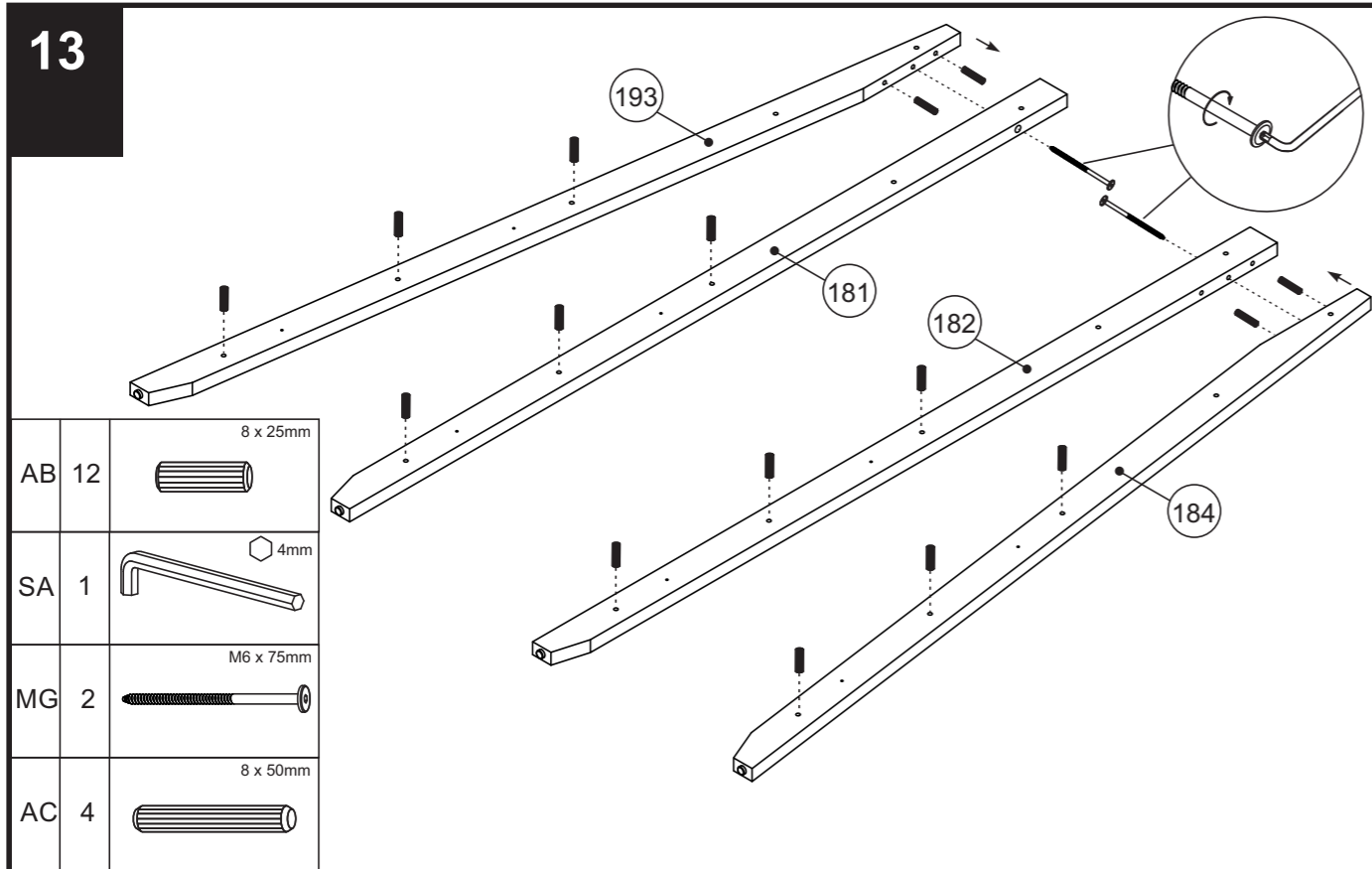


Components supplied. Please use this guide if you require replacement parts.

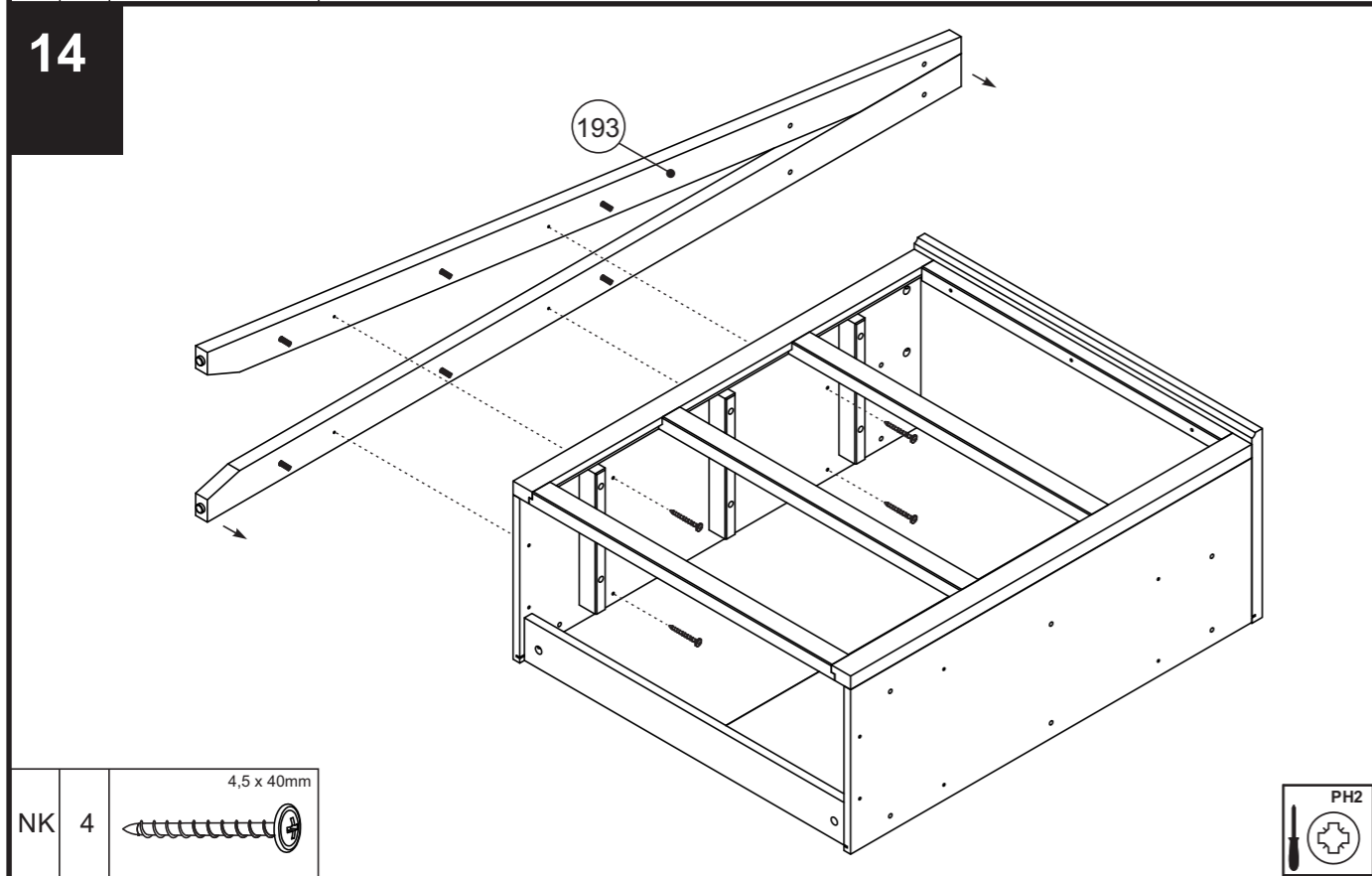
Ref	Dimensions	Visual	Qty	Ctn	Ref	Dimensions	Visual	Qty	Ctn
171	95,8 x 36,8cm		1	2	172	95,8 x 36,8cm		1	2
170	80,6 x 39cm		1	1	179	77,4 x 8,8cm		1	1
176	71,4 x 2,8cm		1	1	177	75,8 x 4,4cm		3	1
180	94,3 x 39,4cm		1	2	173	72,4 x 27,6cm		3	1
5	35,4 x 17,4cm		3	1	6	35,4 x 17,4cm		3	1
174	67,8 x 17,4cm		3	1	175	69 x 34,7cm		3	1
185	80,6 x 14cm		1	2	186	80,6 x 19cm		1	2
181	180 x 6,8cm		1	3	182	180 x 6,8cm		1	3
193	182,2 x 6,8cm		1	3	184	182,2 x 6,8cm		1	3
188	20,4 x 4,4cm		1	1	189	20,4 x 4,4cm		1	1
187	80,6 x 7,6cm		2	2					



13

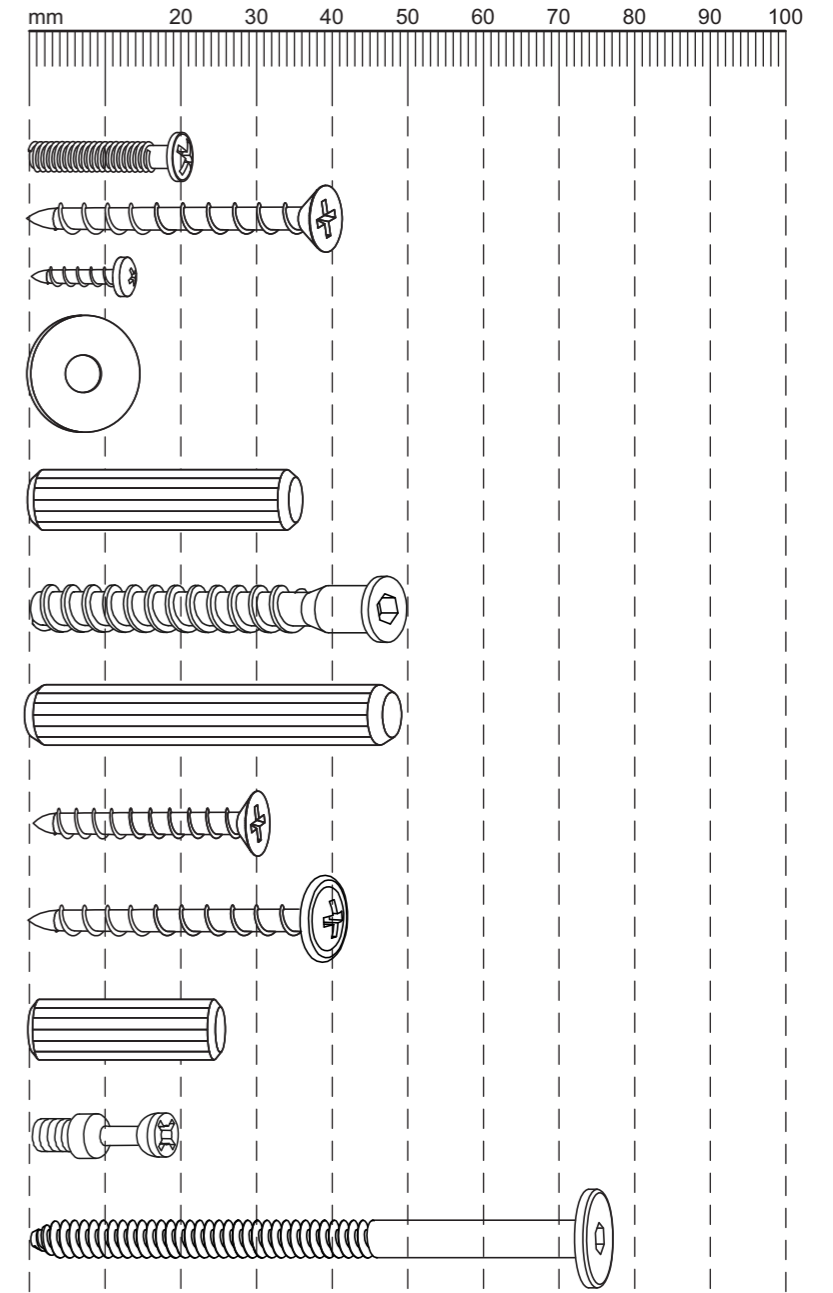


14







Fixtures and fittings supplied (actual size)

Ref	Dimensions	Quantity	* Extra Fittings
MH	M4 x 20mm	6	0
NG	3,5 x 40mm	3	0
NB	3,5 x 13mm	1	0
VA	16/6x1mm	2	0
AA	8 x 35mm	6	0
MA	7 x 50mm	4	0
AC	8 x 50mm	4	0
NJ	3,5 x 30mm	4	0
NK	4,5 x 40mm	8	0
AB	8 x 25mm	12	0
MB	9mm	8	0
MG	M6 x 75mm	2	0



Fixtures and fittings supplied (not to scale)

Ref	Dimensions	Visual	Qty	Ref	Dimensions	Visual	Qty
XC	N/A		14	SA	N/A		2
DB	N/A		6	XA	N/A		1

1

6 x3

174

5

DON'T STOP UNTIL THE 2 O'CLOCK LOCK
ARROW POINTS IN THE POSITIONS SHOWN IN THE DIAGRAMS BELOW

START **CORRECT LOCK**

PH2

2

173 x3

175

MH

DON'T STOP UNTIL THE 2 O'CLOCK LOCK
ARROW POINTS IN THE POSITIONS SHOWN IN THE DIAGRAMS BELOW

START **CORRECT LOCK**

MH	6	M4 x 20mm
DB	6	

PH2

11

PH2

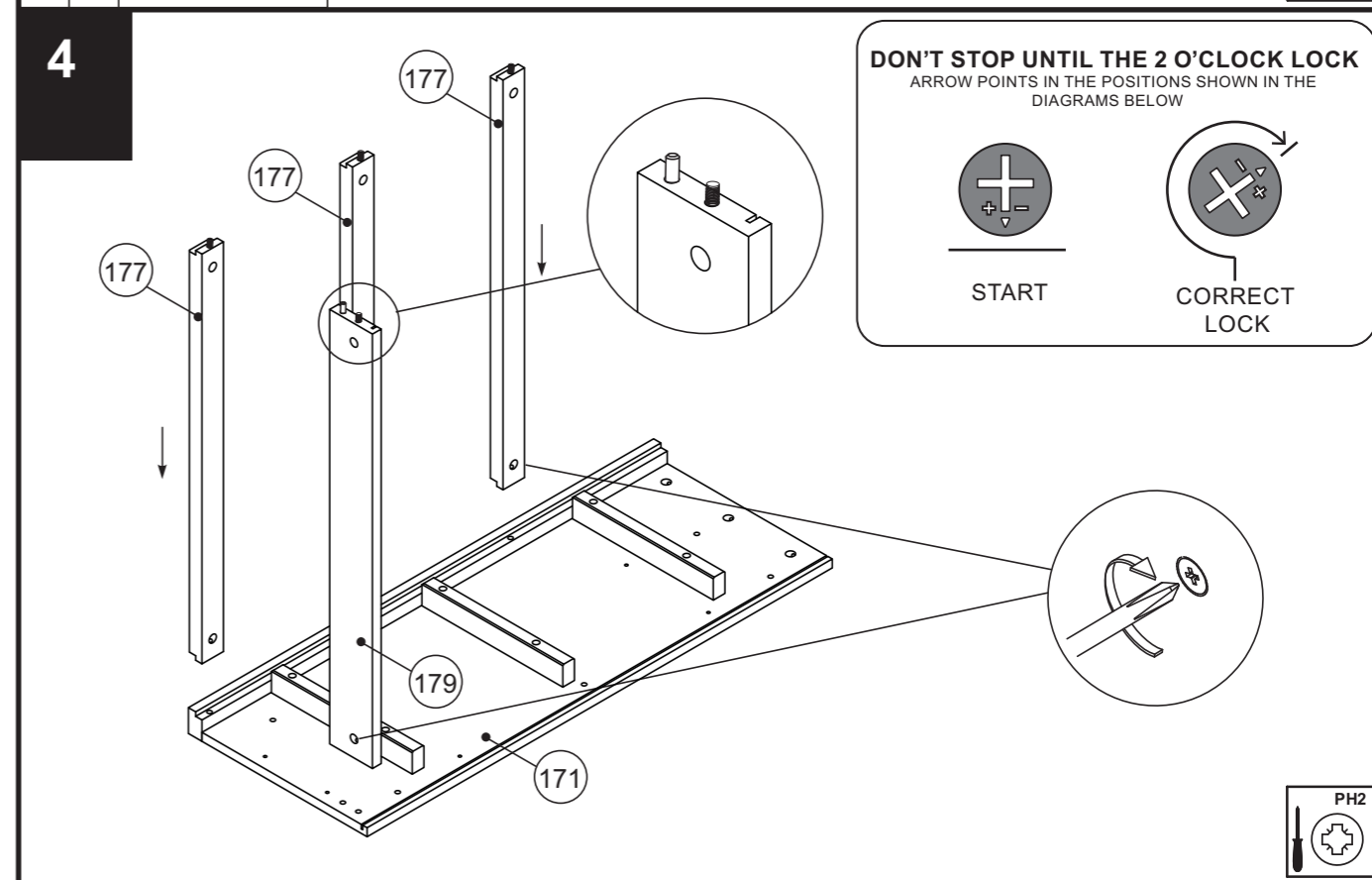
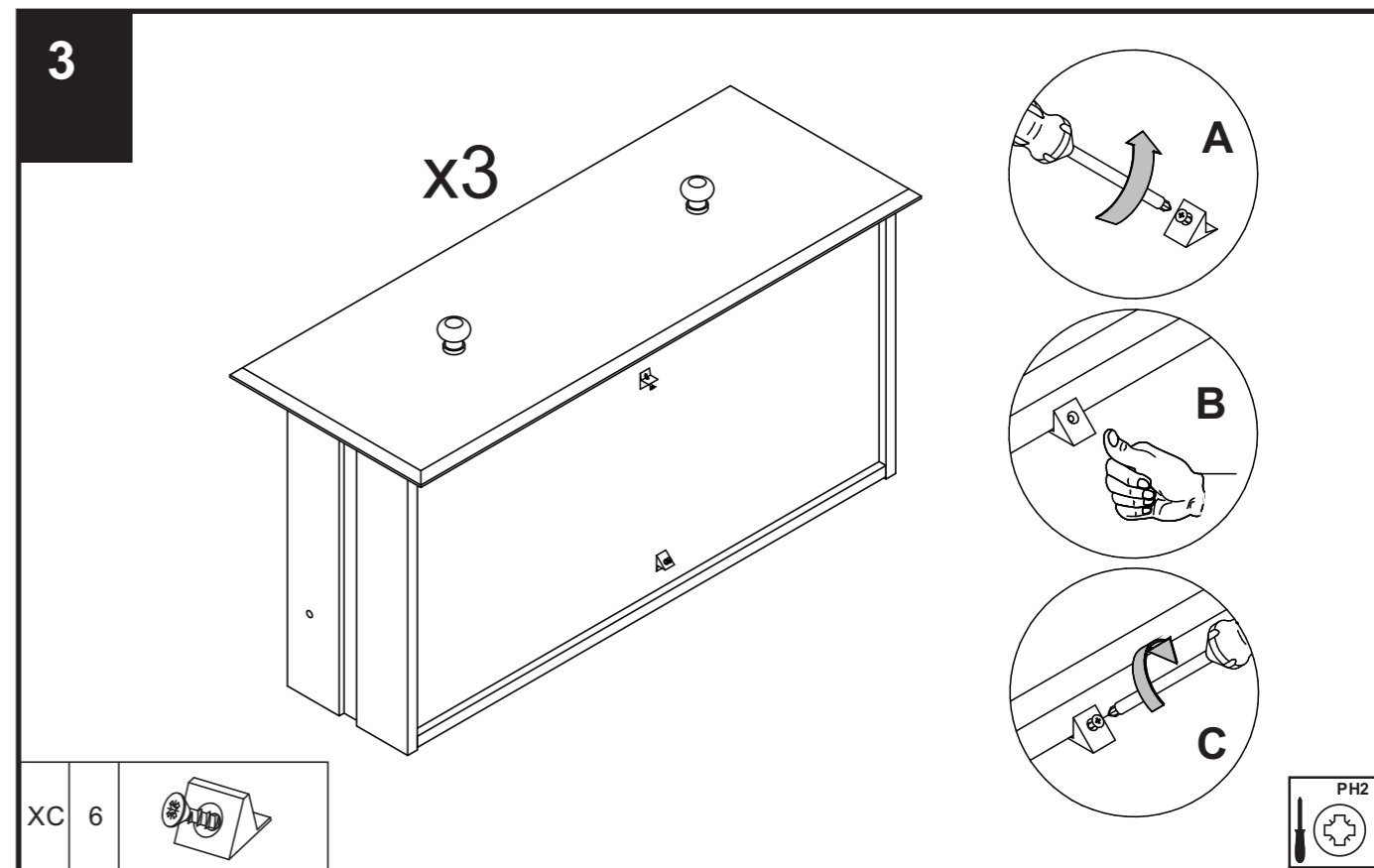
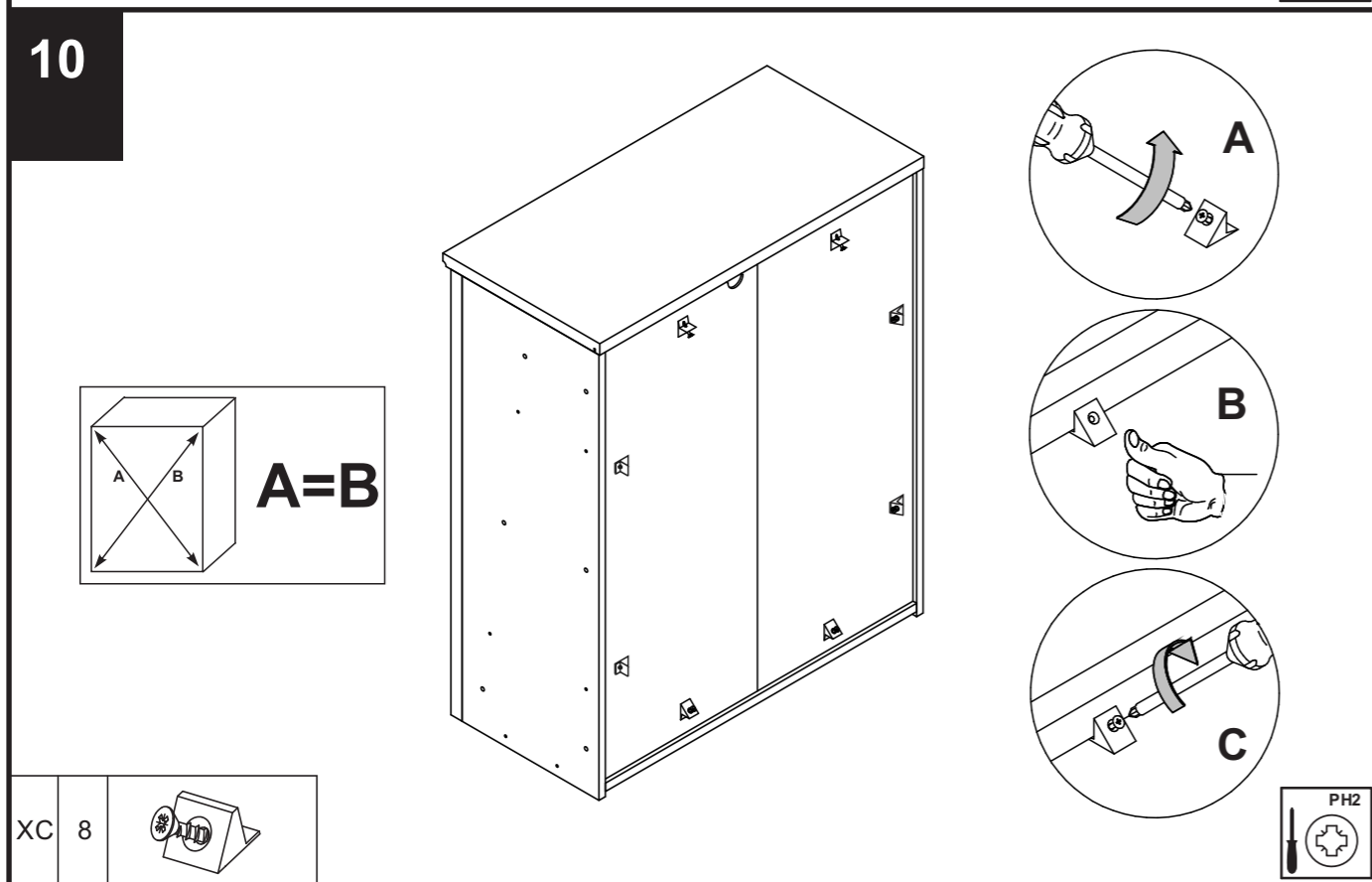
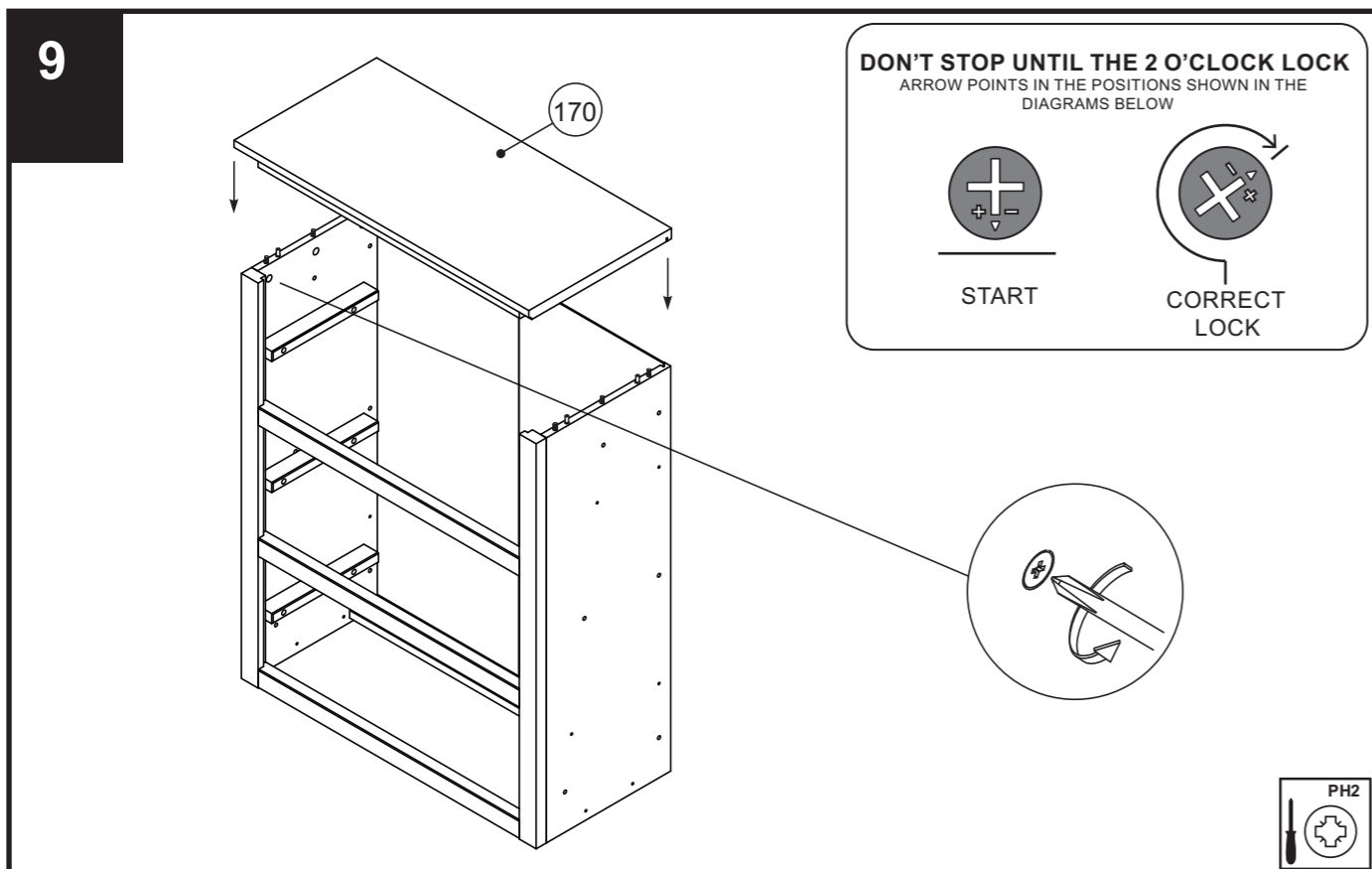
12

187 x3

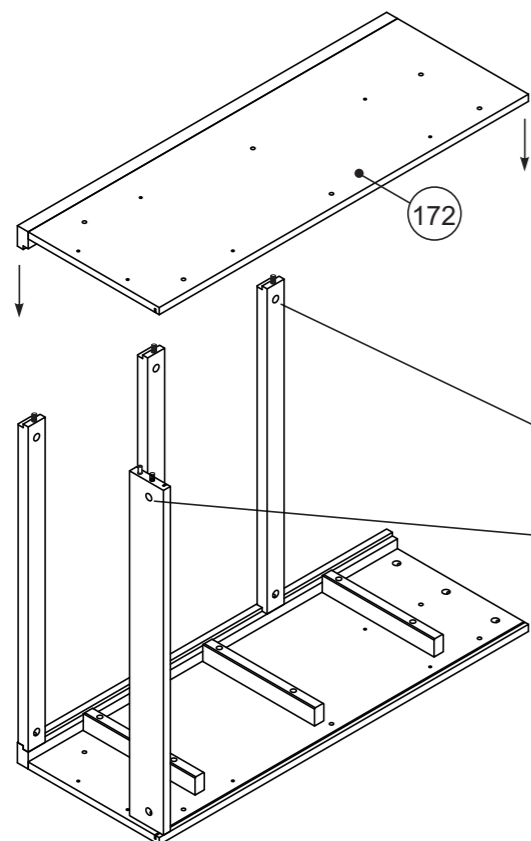
185

186

MA	4	7 x 50mm
SA	1	4mm



5



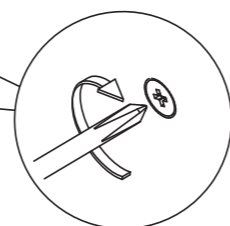
DON'T STOP UNTIL THE 2 O'CLOCK LOCK
ARROW POINTS IN THE POSITIONS SHOWN IN THE
DIAGRAMS BELOW



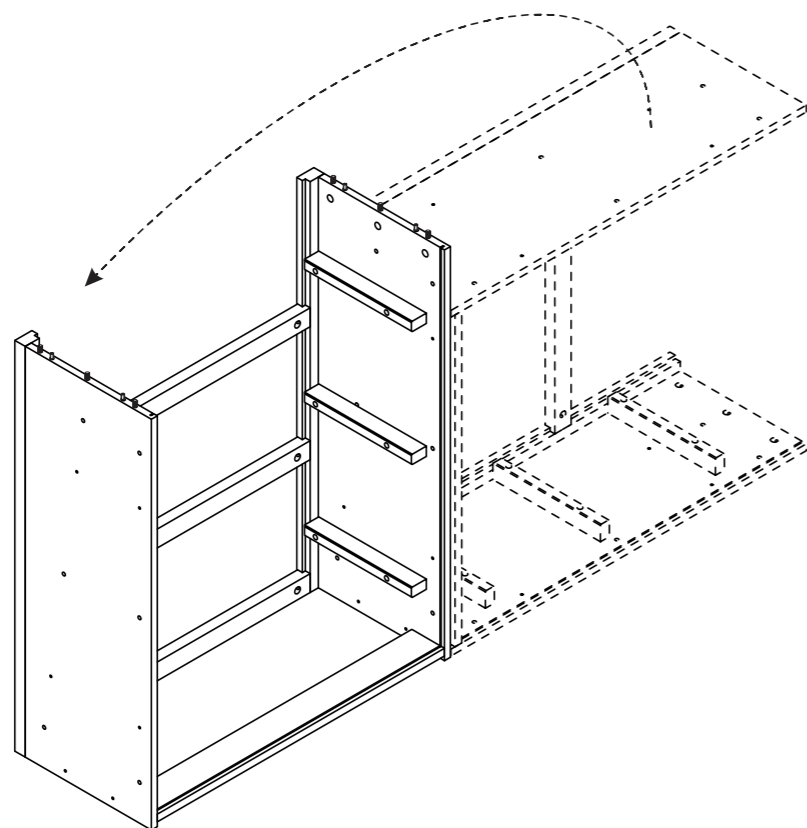
START



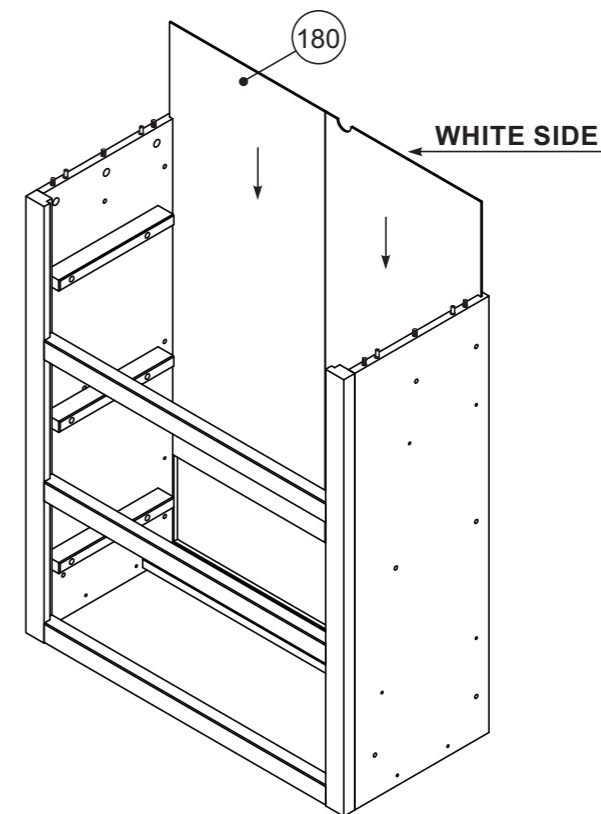
CORRECT
LOCK



6



7



8

