



## BEFORE YOU START

**WARNING :** "High beds and the upper bed of bunk beds are not suitable for children under six years due to the risk of injury from falls".

**WARNING :** "Bunk beds and high beds can present a serious risk of injury from strangulation if not used correctly. Never attach or hang items to any part of the bunk bed that are not designed to be used with the bed, for example, but not limited to ropes, strings, cords, hooks, belts and bags".

**WARNING :** "Children can become trapped between the bed and the wall. A roof pitch, the ceiling, adjoining pieces of furniture (e.g.cupboards) and the like. To avoid risk of serious injury the distance between the top safety barrier and the wall shall not exceed 75mm or shall be more than 230mm

**WARNING :** Do not use the bunk bed/high bed if any structural part is broken or missing.

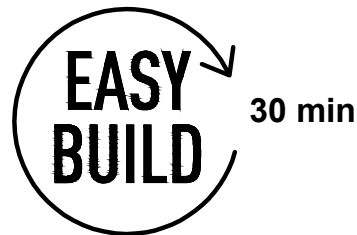
- Always follow the manufacturer's instructions.
- Recommended use only mattress which is L190 x W90 x 17cm or less in thickness on upper bunk bed.
- The ventilation of the room is necessary in order to keep the humidity low and to prevent mould in and around the bed.
- Please check regularly that all assembly fastenings are properly tightened.

### Number of people required to assemble

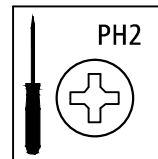
Two people are required to assemble this item



### Time to assemble



### Tools required



not supplied

### Do's

We suggest you spend a short time reading through this leaflet before you start

When you are ready to start, make sure that you have the right tools and plenty of space

Unwrap all packaging materials and place the components on a clean surface to protect them from damage, we recommend that the packaging is used to protect the surfaces during assembly

Carefully check that you have all the parts before beginning assembly

Due to the size of the product we recommend that it is assembled in the room intended for use

Ensure the product is fully assembled as illustrated and all fixings fully tightened before use

Wipe occasionally with a soft cloth slightly dampened with water. Then buff with a dry clean soft cloth

Wood will mellow and change colour over time, we recommend that ornaments and items placed on the surface are moved regularly for the first few months to prevent uneven mellowing

### Don'ts

Do not drag or pull your furniture

Do not rub or scrub the surface when cleaning

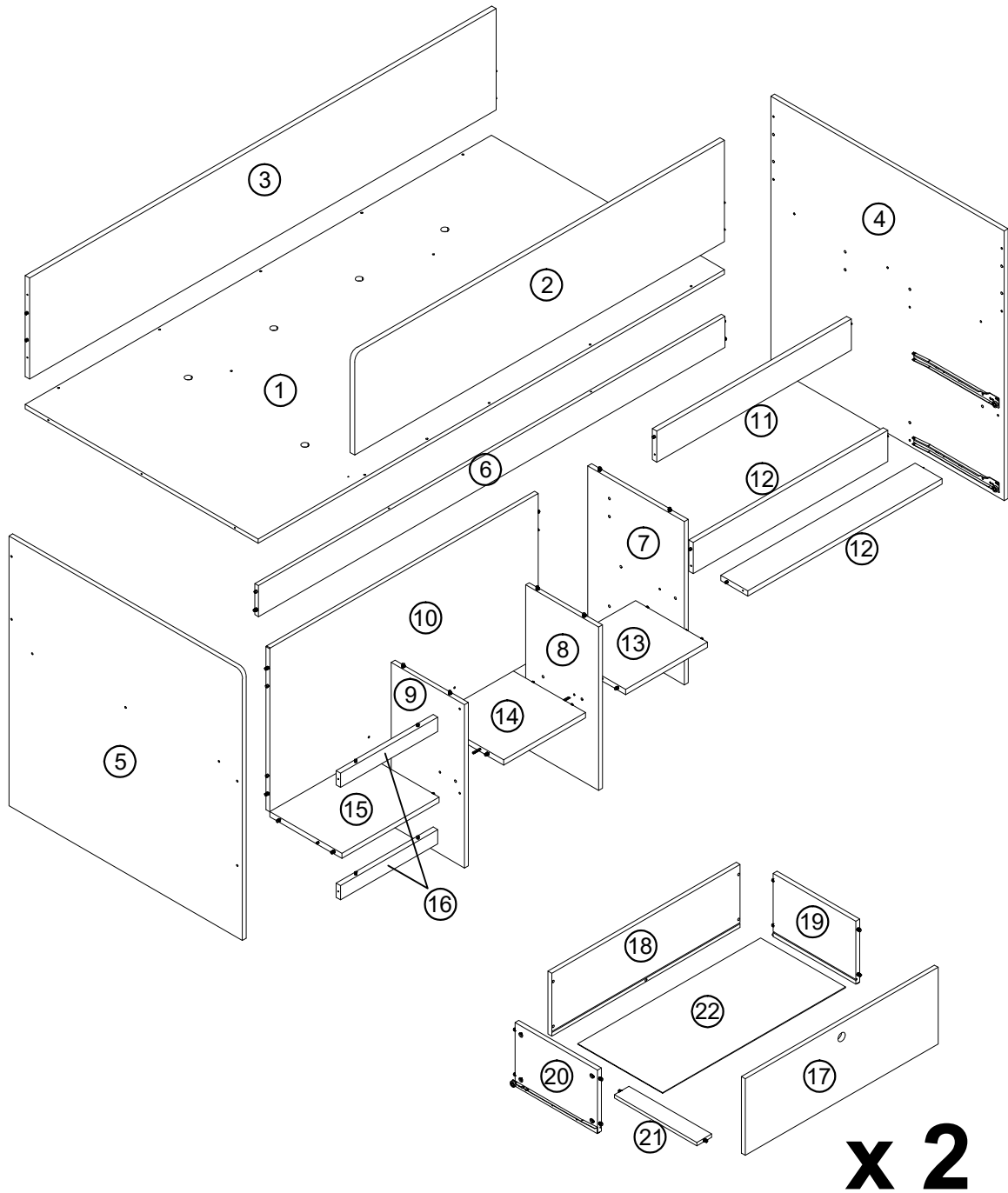
Do not use silicone based furniture polish. Silicone in furniture polishes can break down the finish

Never allow any kind of liquid to remain on your furniture. Absorption can cause wood to warp or finishes to de-laminate

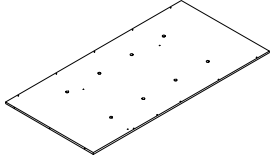
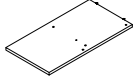
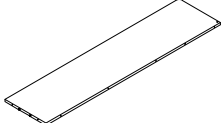
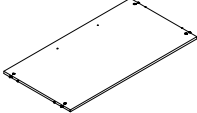
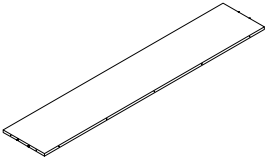
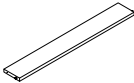
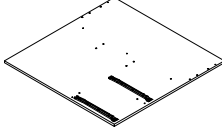
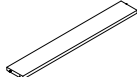
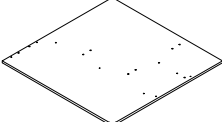

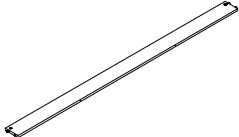


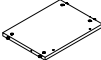
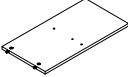

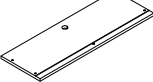




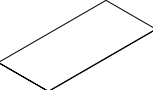
Do not place hot items (e.g.hot drinks) directly on to the wood surface. Please make sure you use a placemat or coaster

Do not use this item if any components are missing or damaged.

## GETTING TO KNOW YOUR PRODUCT

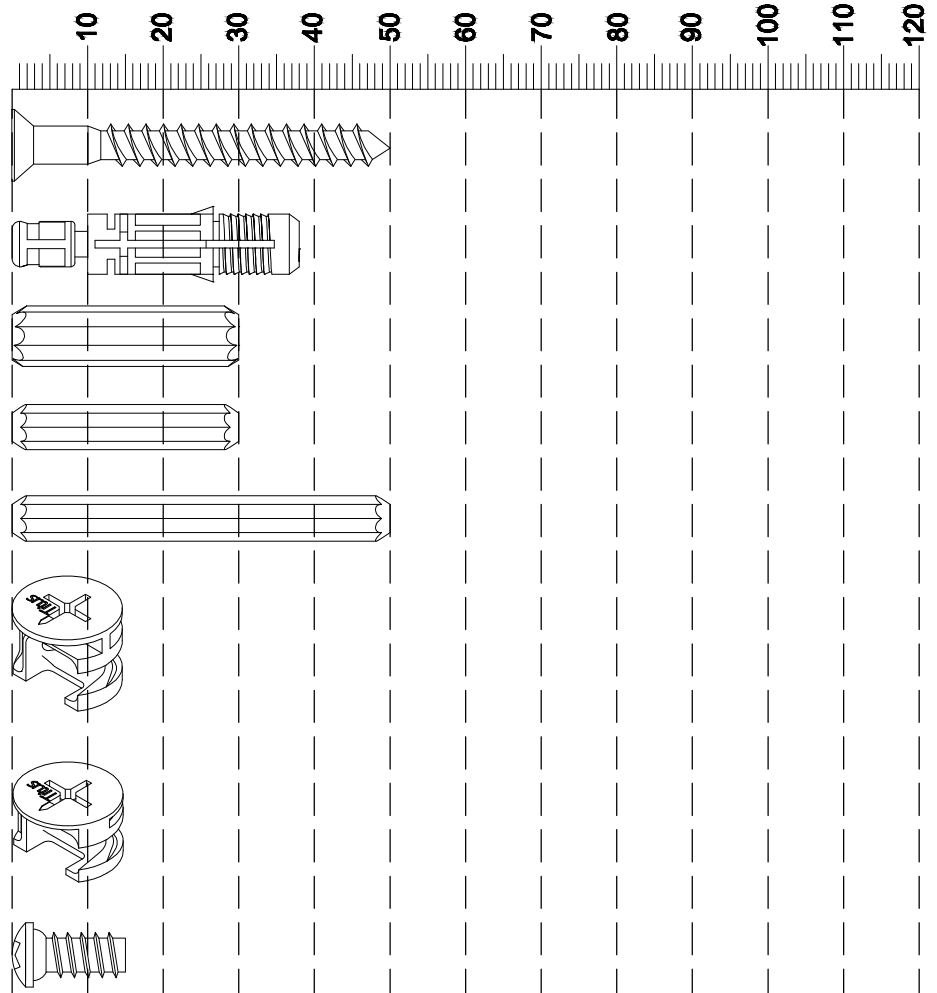


Components supplied. Please use this guide if you require replacement parts.

| Ref | Dimensions     | Visual  | Qty | Ctn | Ref | Dimensions     | Visual  | Qty | Ctn |
|-----|----------------|---|-----|-----|-----|----------------|---|-----|-----|
| 1   | 192 x 95.8cm   |    | 1   | 1   | 9   | 58.8 x 30cm    |    | 1   | 2   |
| 2   | 152.2 x 35.4cm |    | 1   | 1   | 10  | 110.5 x 58.6cm |    | 1   | 1   |
| 3   | 192 x 35.4cm   |   | 1   | 1   | 11  | 80 x 11cm      |    | 1   | 1   |
| 4   | 96 x 96cm      |  | 1   | 2   | 12  | 80 x 11cm      |    | 2   | 1   |
| 5   | 96 x 96cm      |  | 1   | 2   | 13  | 33.7 x 29.6cm  |  | 1   | 2   |
| 6   | 192 x 11cm     |  | 1   | 1   | 14  | 33.7 x 29.6cm  |  | 1   | 2   |
| 7   | 58.8 x 39.6cm  |  | 1   | 2   | 15  | 40 x 29.6cm    |  | 1   | 2   |
| 8   | 58.8 x 30cm    |  | 1   | 2   | 16  | 40 x 5cm       |  | 2   | 2   |
|     |                |   |     |     | 17  | 79.3 x 27.2cm  |  | 2   | 2   |
|     |                |   |     |     | 18  | 77.4 x 22.4cm  |  | 2   | 2   |
|     |                |   |     |     | 19  | 34 x 22.4cm    |  | 2   | 2   |
|     |                |   |     |     | 20  | 34 x 22.4cm    |  | 2   | 2   |
|     |                |   |     |     | 21  | 34 x 6cm       |  | 2   | 2   |
|     |                |   |     |     | 22  | 75.3 x 34.9cm  |  | 2   | 2   |

**Fixtures and fittings supplied (actual size)**

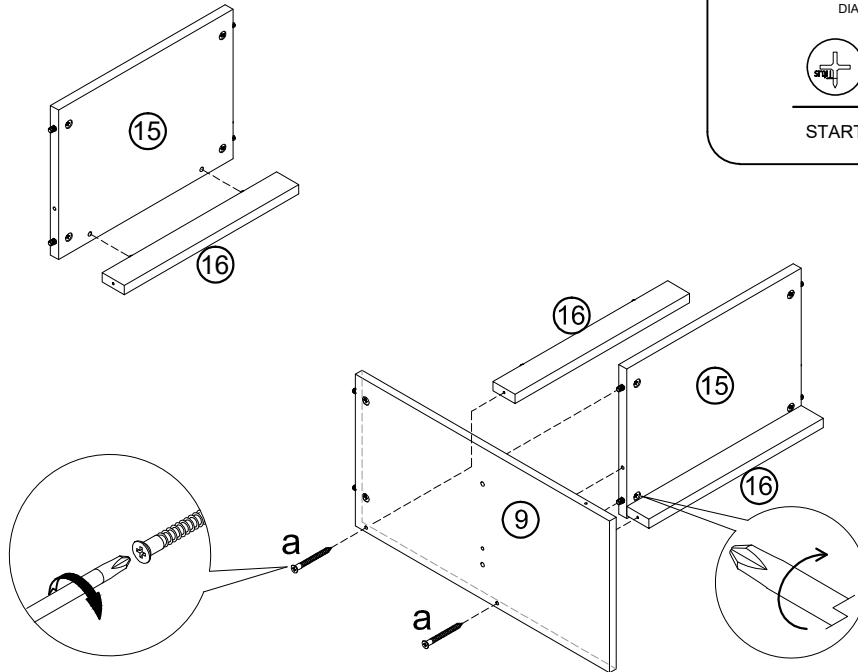
| Ref | Dimensions  | Qty | Spare Qty |
|-----|-------------|-----|-----------|
| a   | Ø5 x 50mm   | 36  | 2         |
| c   | Ø8 x 38mm   | N/A | 2         |
| d   | Ø8 x 30mm   | N/A | 2         |
| d1  | Ø6 x 30mm   | N/A | 1         |
| d1  | Ø6 x 50mm   | N/A | 1         |
| f   | Ø15 x 12mm  | N/A | 2         |
| f1  | Ø15 x 9.5mm | N/A | 1         |
| j   | Ø6 x 15mm   | 2   | 1         |



**Fixtures and fittings supplied (not to scale)**

| Ref | Dimensions | Qty | Spare Qty | Visual |
|-----|------------|-----|-----------|--------|
| y   | N/A        | 1   | N/A       |        |

1



**WHEN TIGHTENING THE CAM**

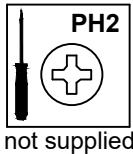
TURN THE CAM IN A CLOCKWISE DIRECTION UNTIL THE ARROW POINTS IN THE POSITIONS SHOWN IN THE DIAGRAMS BELOW



START



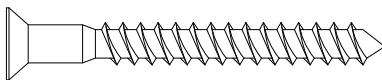
MAXIMUM LOCK



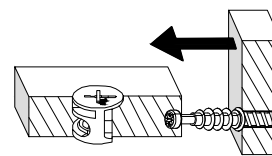
PH2

**a x 2**

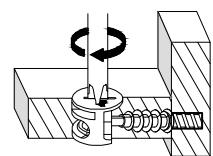
5 x 50mm



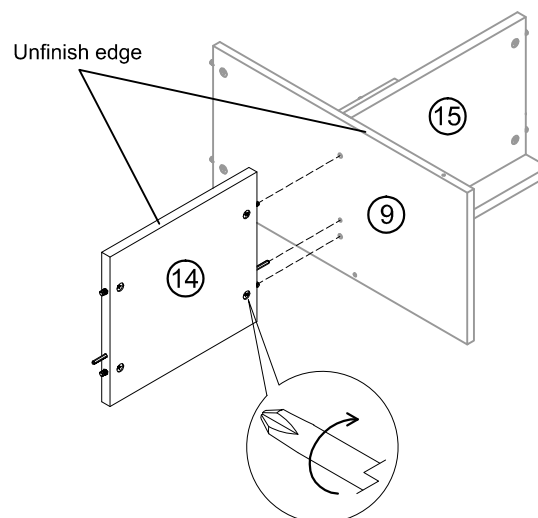
PUSH THE TWO PANELS TOGETHER ALLOWING THE DOWEL TO ALIGN WITH THE HOLE



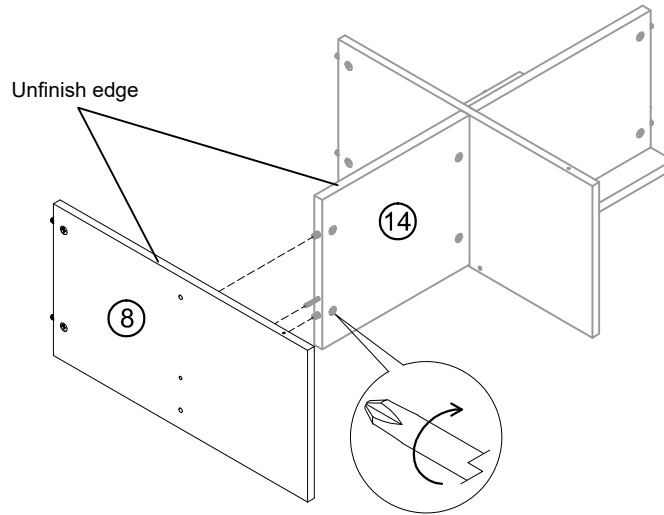
TURN THE CAM IN A CLOCKWISE DIRECTION



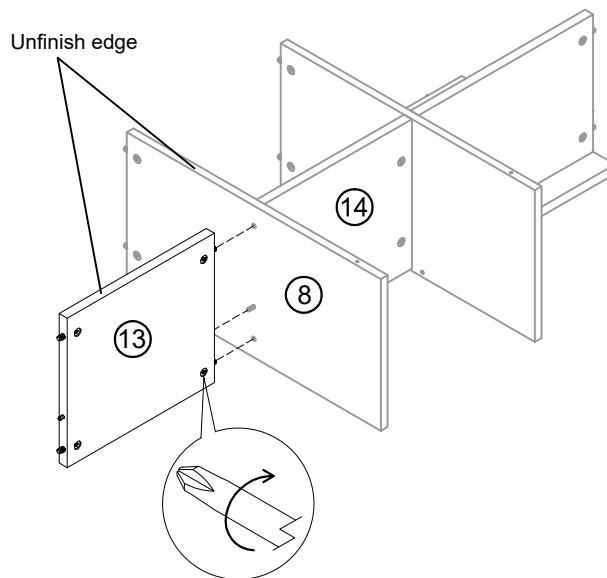
2



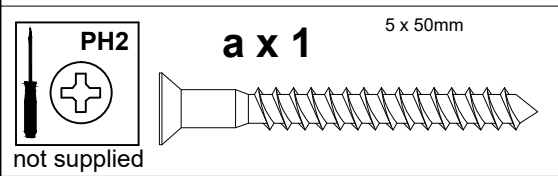
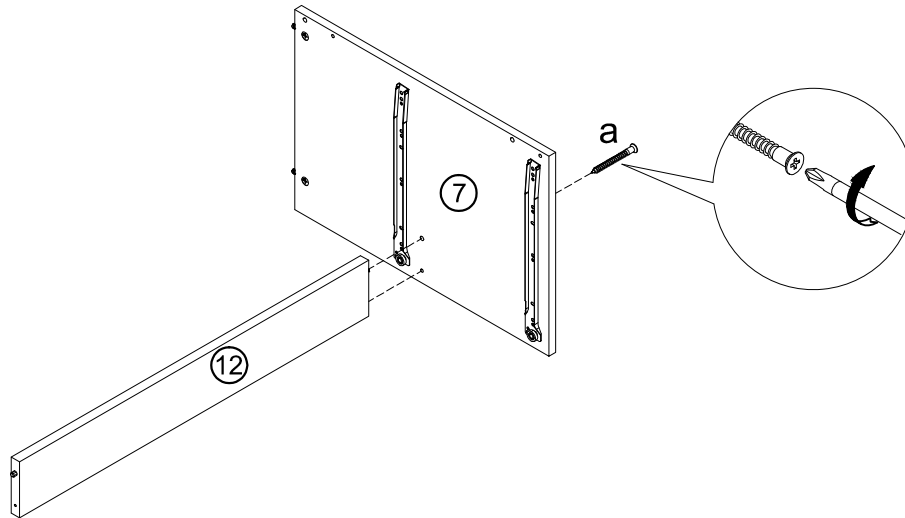
3



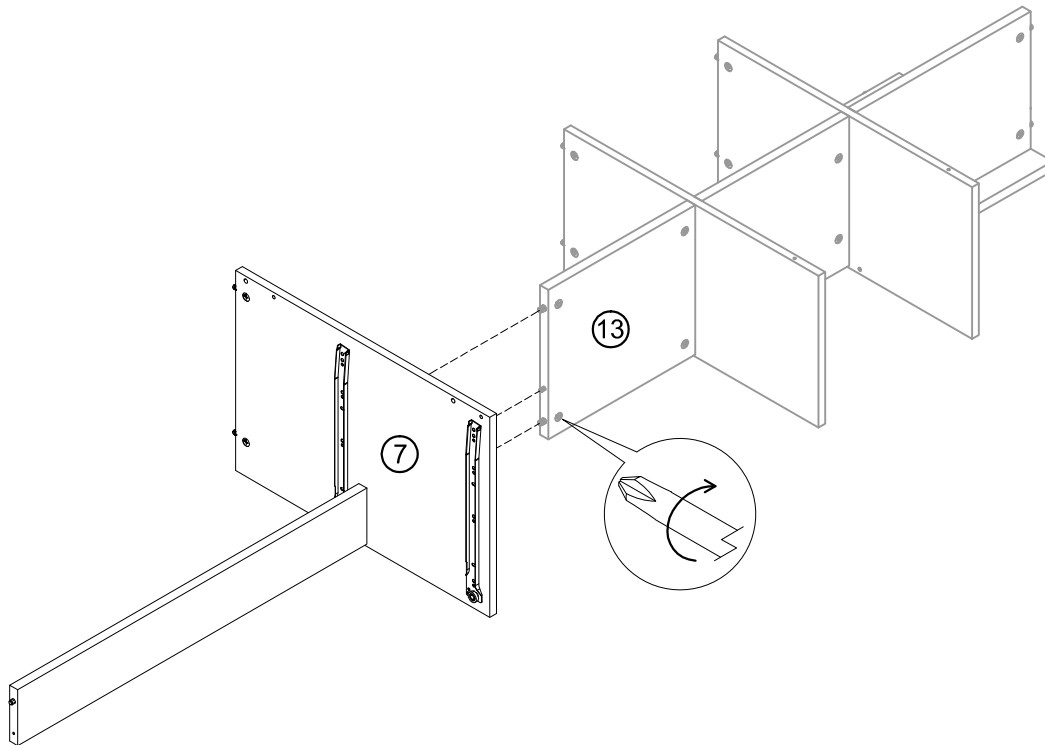
4



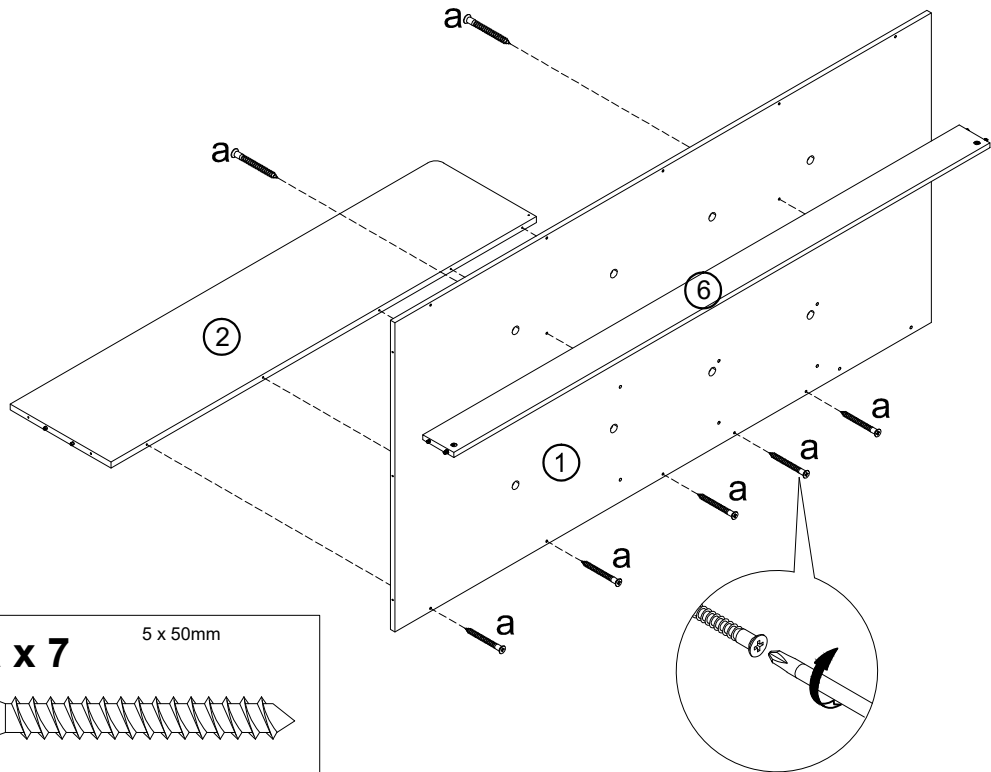
5



6



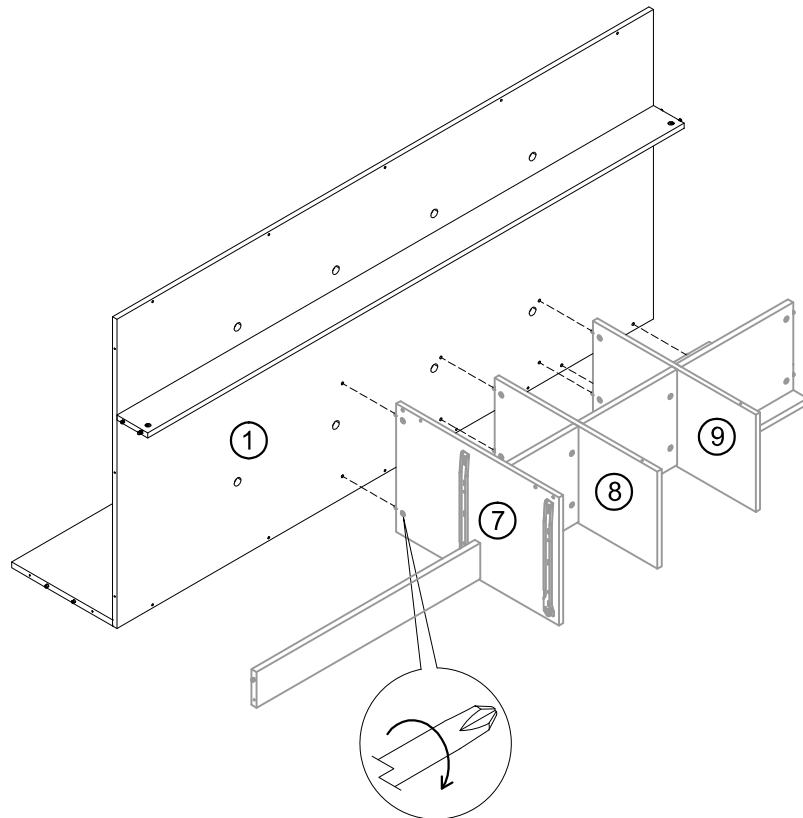
7



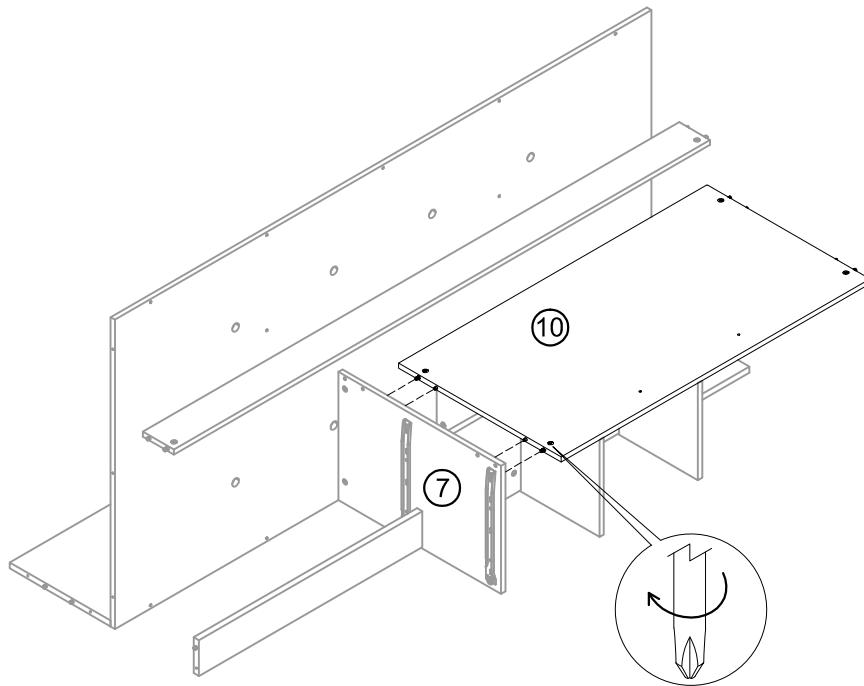
PH2  
not supplied

**a x 7** 5 x 50mm

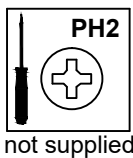
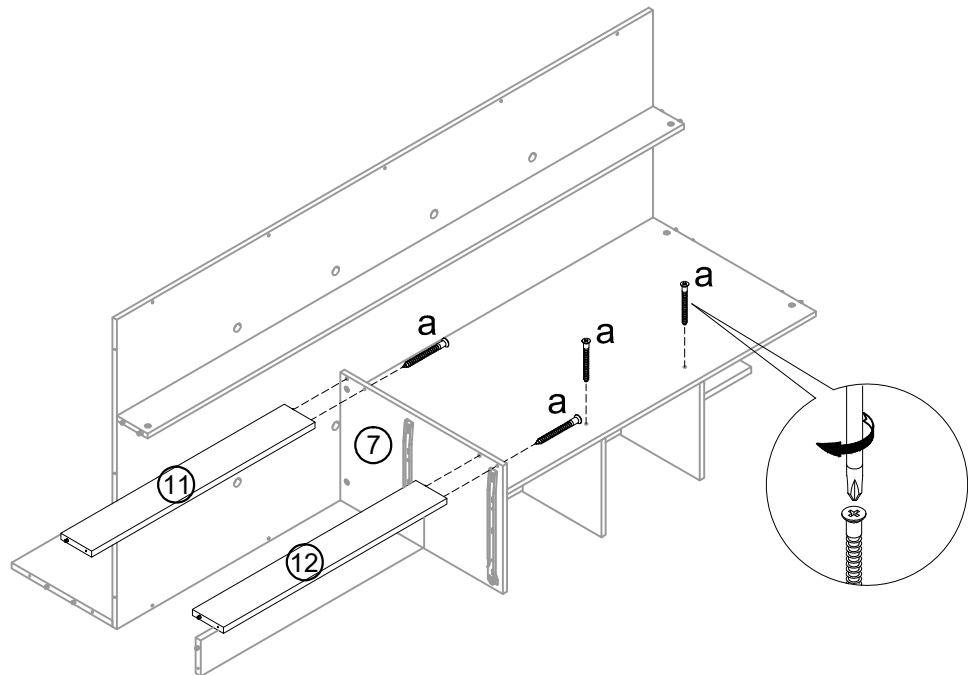
8



9



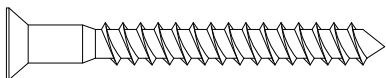
10



PH2

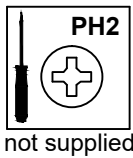
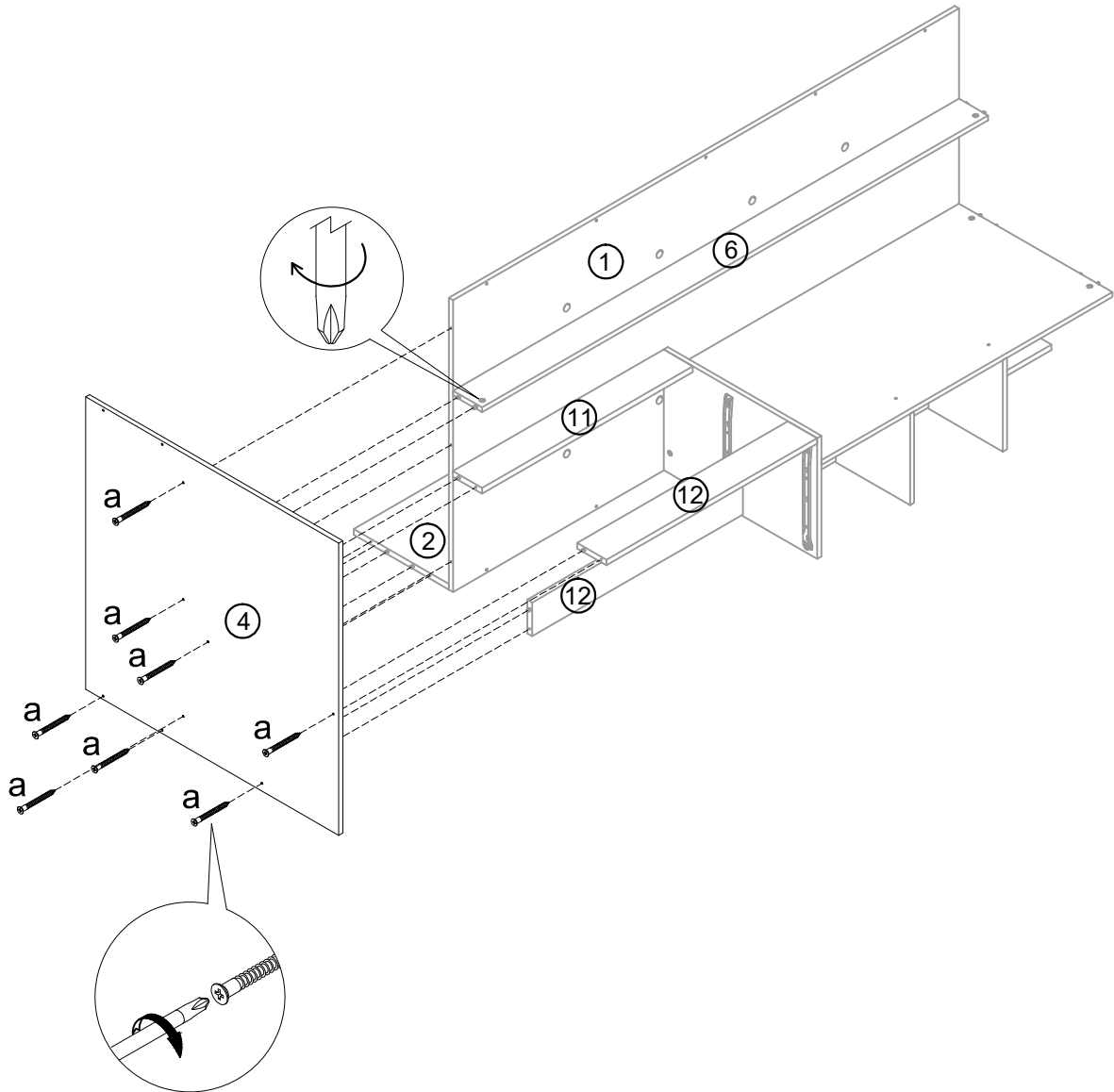
**a x 4**

5 x 50mm



not supplied

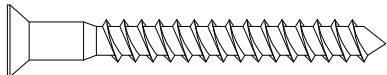
11



PH2

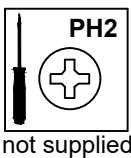
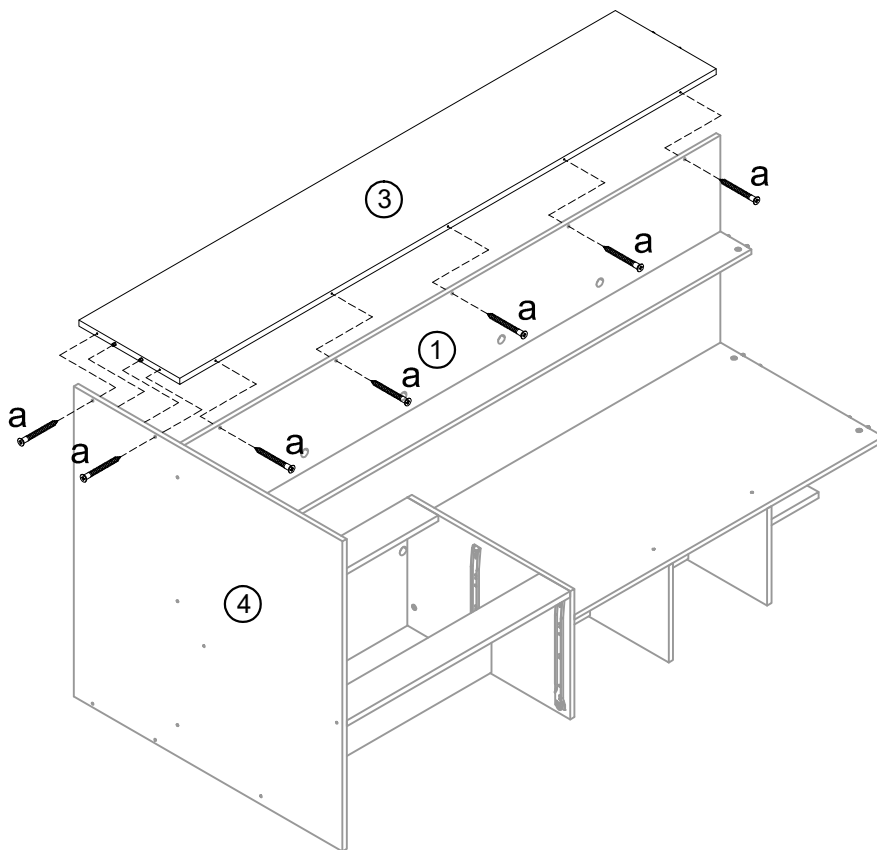
a x 8

5 x 50mm



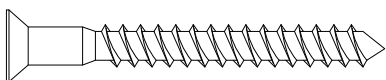
not supplied

12

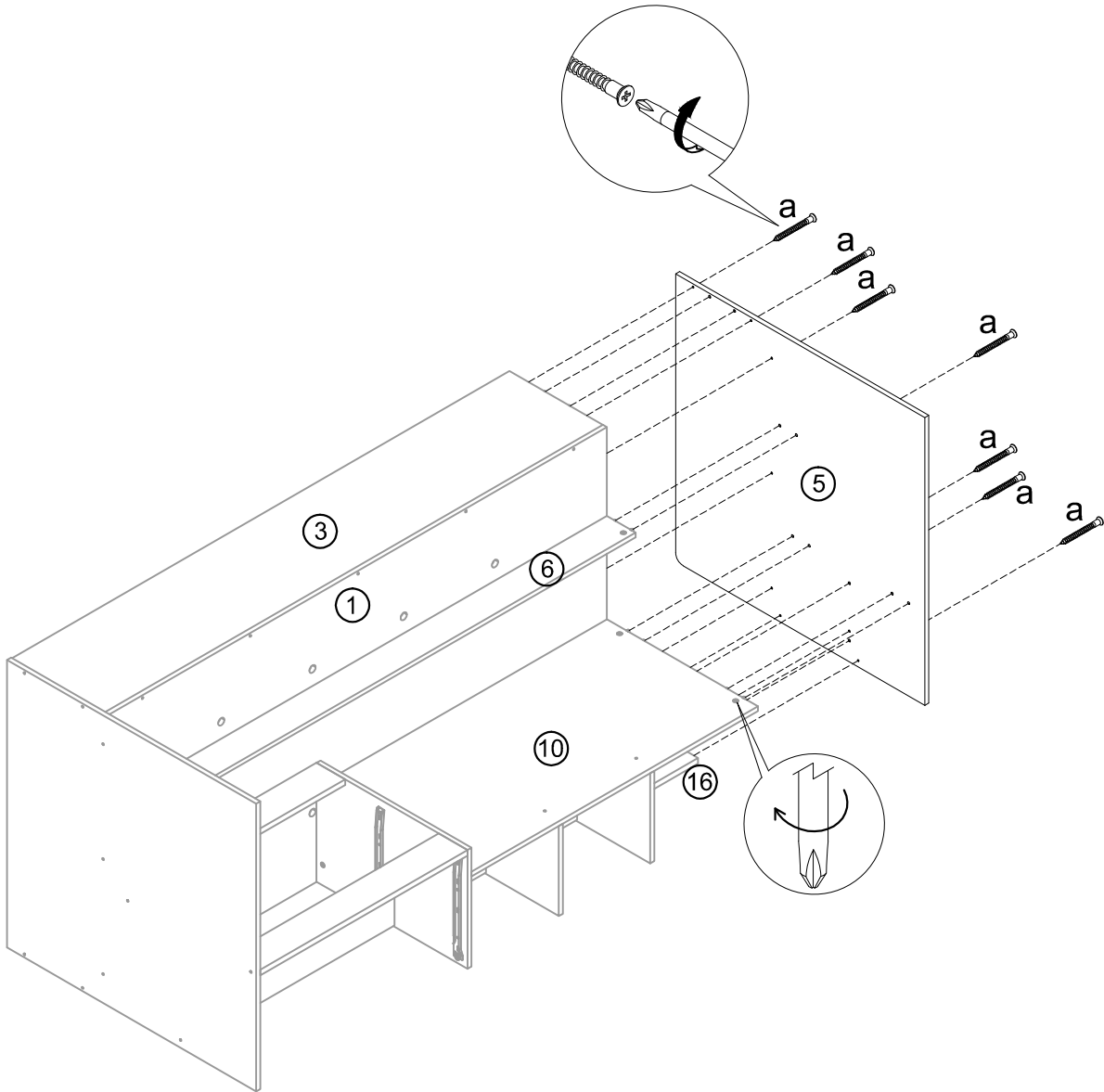



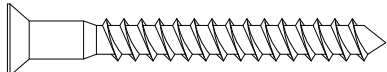
**a x 7**

5 x 50mm

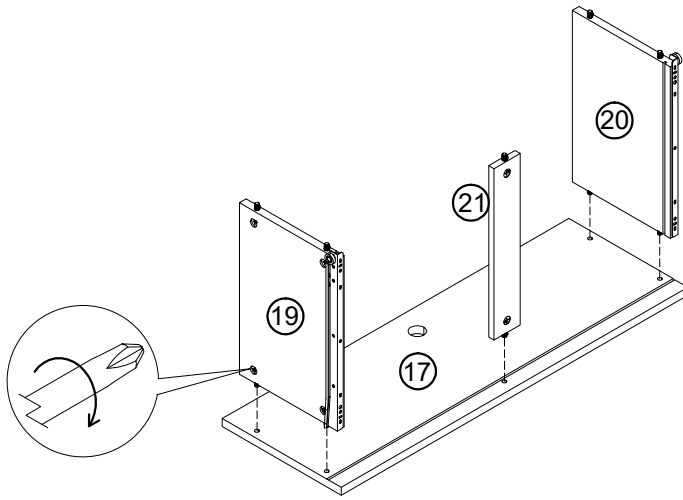


13



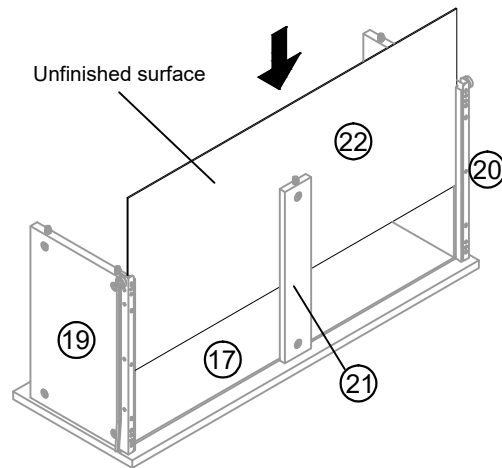
|  |   |          |
|--|---|----------|
| <br>PH2 | <b>a x 7</b>  | 5 x 50mm |
| not supplied   |  |          |

14



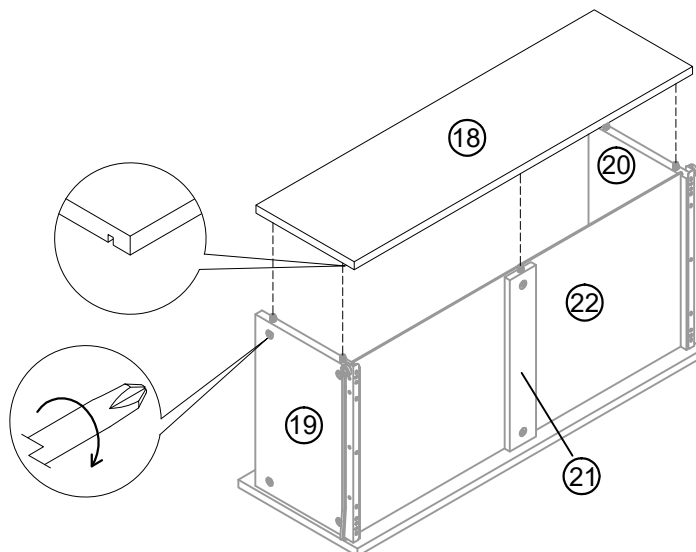
x 2

15



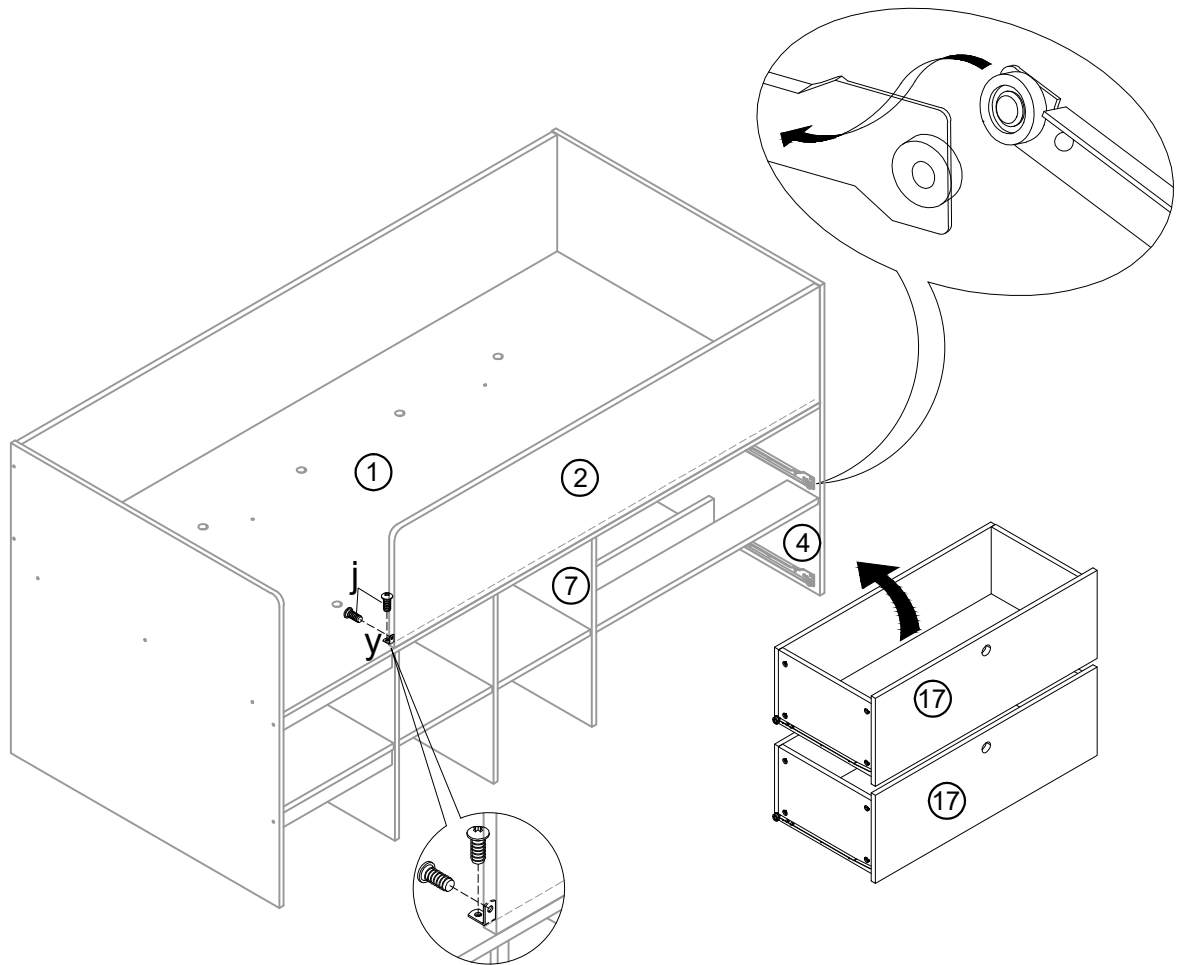
x 2

16

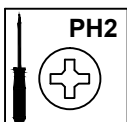


x 2

17



y x 1

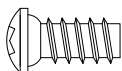


PH2

not supplied

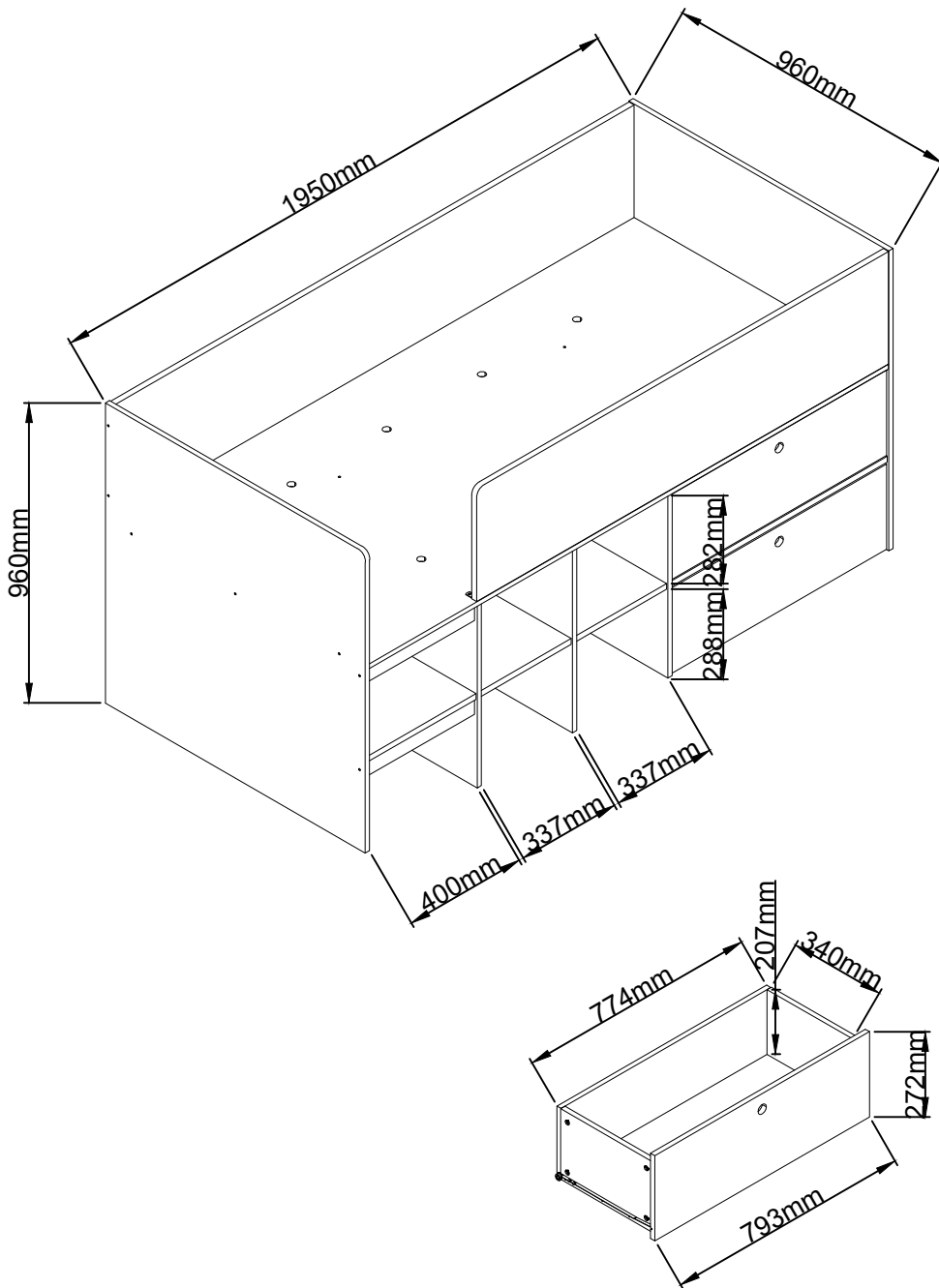
j x 2

6 x 15mm



Actual product size

H96 x W195 x D96cm



**Warnings**

We suggest you retain these instructions for future reference.

Assembly to be carried out by a competent adult only.

Keep fittings out of children's reach and keep children well away from construction area.

During assembly children should be kept away from the product due to possible risk of injury.

This product should only be used on firm level ground.

Please periodically check all fittings and re-tighten as necessary.

Please do not sit or stand on your furniture.

Avoid exposing the furniture to excessive heat or direct sunlight as this can cause deterioration of the colour.

Unwrap all packaging materials and place the components on top of the carton box or on a clean floor to protect it from damage

**Missing parts**

If you are missing any fixtures and fittings for your product. Please contact our customer service team on 0333 777 8999 and they will be happy to arrange for a replacement to be sent to you free of charge.

**Home service technicians**

If you have a fault with your product, please contact our customer service team on 0333 777 8999. If you have had the product for 28 days or less you may be offered a replacement, refund or for a fully trained home service technician to visit your home to assess the fault and repair the product where possible. If you have had the product for more than 28 days we will send an independent home service technician to review and repair the product where possible and recommend further action.

**You can write to us at**

Home Customer Service  
Next Retail Ltd.  
Desford Road,  
Leicester,  
LE19 4AT

**To view our full furniture range please visit [www.next.co.uk](http://www.next.co.uk)**