

# BEFORE YOU GET STARTED...

We're confident you'll love your gorgeous new Next furniture. However, it's worth making absolutely certain before you put it all together.

So, let's quickly run through these three steps:

## 1. COLOUR

Make sure you're happy with the colour

No need to unpack everything, just check the first component.

## 2. PROTECTIVE PACKAGING

If you're happy, then it's time to get opening! Start by laying everything out on the protective packaging – this will prevent anything getting scratched.

## 3. PARTS PAGE

Finally, double check you have all the pieces by referencing the parts page of the instructions.

## TIPS FOR RETURNS

Not completely happy with the product? No problem.

We just need everything back in the original packaging, so follow the steps below and this will ensure a super-smooth returns process and no delay to your refund.

DO



- Check everything is there (the 'parts page' is a handy checklist).
- Pop all the loose fittings and fixtures into the packaging provided or tie them up in a plastic bag.
- Wrap all the big components back up in the original protective packaging.
- Close up the box and seal it securely (don't be afraid to use plenty of tape).

DON'T



- Leave anything assembled - all components should be dismantled and separately packed.
- Put loose fixtures and fittings straight into the box.
- Throw it back in the box carelessly - as it may get damaged.

**NEXT**  
HOME

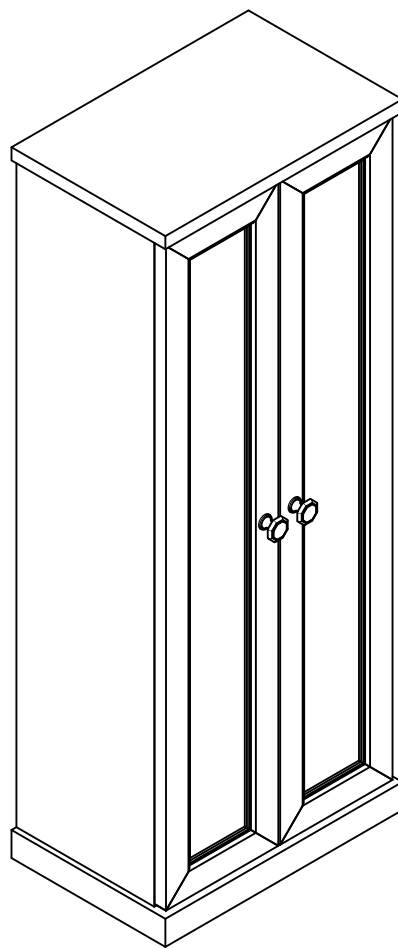
Then just give us a call on 0333 777 8999 and we'll sort out a pick up time for you.

# NEXT

## FARNLEY / FARNLEY PINK CONSOLE

M75586 / 227738  
Assembly instructions

**Actual product size**  
H100 x W38.5 x D25cm



### Need Help ?

With: Assembly instruction  
Missing or damaged parts

**IMPORTANT - RETAIN FOR FUTURE REFERENCE**

**CALL: 0333 777 8999**

# NEXT

## FARNLEY / FARNLEY PINK CONSOLE

M75586 / 227738  
Assembly instructions

### BEFORE YOU START

#### Number of people required to assemble

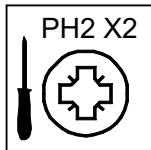
Two people are required to assemble this item



**Time to assemble : 30 minutes**



#### Tools required



not supplied

#### Do's

We suggest you spend a short time reading through this leaflet before you start.

When you are ready to start, make sure that you have the right tools and plenty of space.

Unwrap all packaging materials and place the components on a clean surface to protect it from damage, We recommend that the packaging is used to protect the surfaces during assembly.

Carefully check that you have all the parts before beginning assembly.

Due to the size of this product we recommend that it is assembled in the room intended for use.

Ensure the product is fully assembled as illustrated and all fixings fully tightened before use.

Wipe occasionally with a soft cloth slightly dampened with water. Then buff with a dry clean soft cloth.

Furniture finish will mellow and change colour over time, we recommend that ornaments and items placed on the surface are moved regularly for the first few months to prevent uneven mellowing.

#### Don'ts

Do not drag or pull your furniture.

Do not rub or scrub the surface when cleaning.

Do not use silicone based furniture polish. Silicone in furniture polishes can break down the finish.

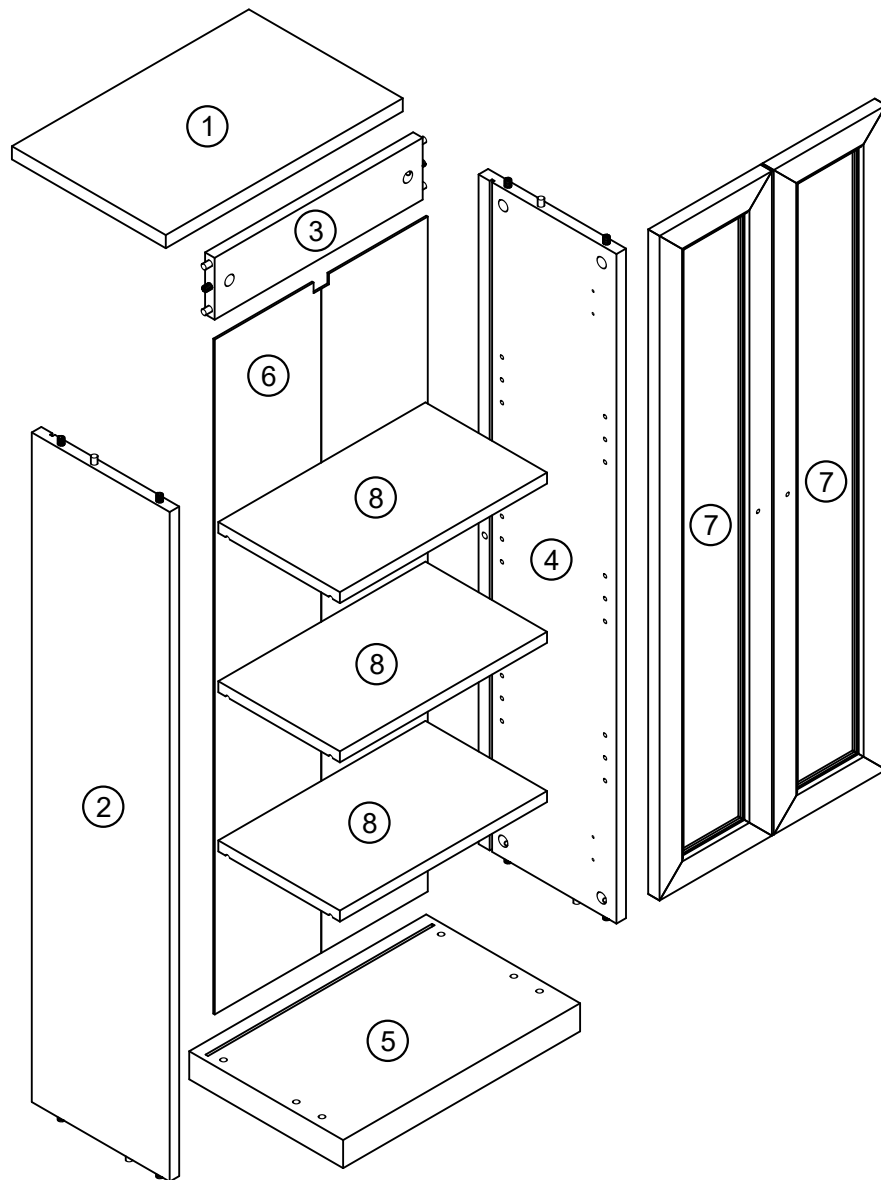
Never allow any kind of liquid to remain on your furniture.  
Absorption can cause wood to warp or finishes to de-laminate.

Do not place hot items (e.g. hot drinks) directly on to the wood surface. Please make sure you use a placemat or coaster.

# NEXT

FARNLEY / FARNLEY PINK CONSOLE  
M75586 / 227738  
Assembly instructions

## GETTING TO KNOW YOUR PRODUCT

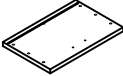

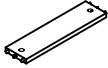

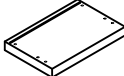
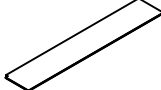




# NEXT

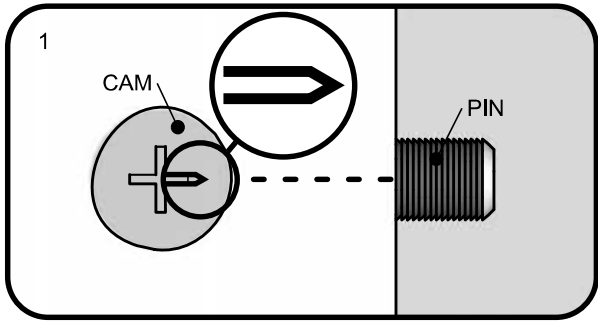
## FARNLEY / FARNLEY PINK CONSOLE

M75586 / 227738  
Assembly instructions

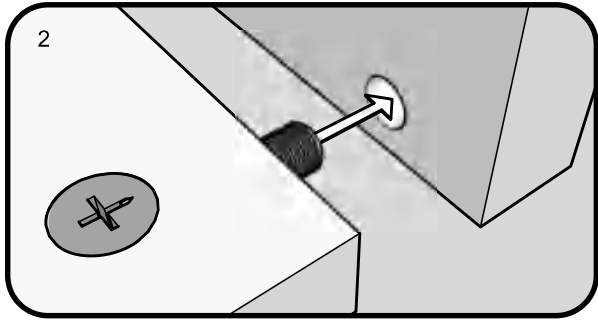
Components supplied. Please use this guide if you require replacement parts.

Ref	Dimensions	Visual	Qty	Ctn
1	25x38.5cm		1	1
2	22.5x94cm		1	1
3	8.5x34cm		1	1
4	22.5x94cm		1	1
5	25x38.5cm		1	1
6	17x95cm		1	1
7	18x93.5cm		2	1
8	20x33.5cm		3	1

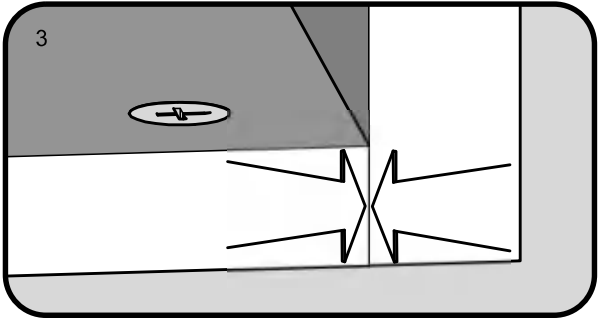
## TITUS TIGHTENING INSTRUCTIONS



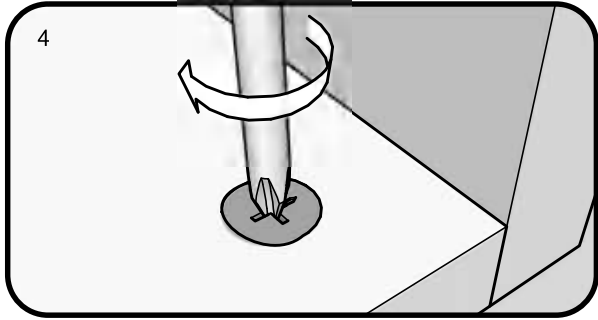
Line up the arrow on the CAM with the PIN.



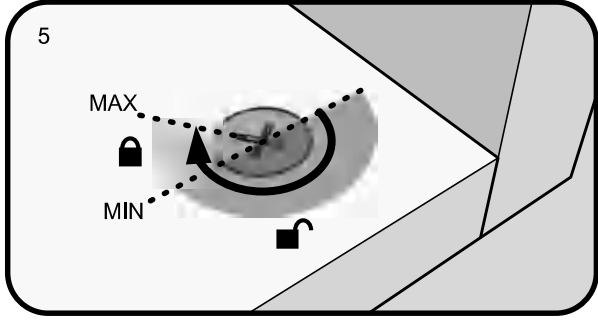
Push the pins into the holes in the panel to be joined.



Make sure there is no gap between the panels.



Use a cross-point screwdriver (PH2 or PZ2 is ideal) to tighten the cams and lock the panels together.



The panels are locked when each cam is turned to between 1/2 and 2/3 of a full turn (Maximum rotation)

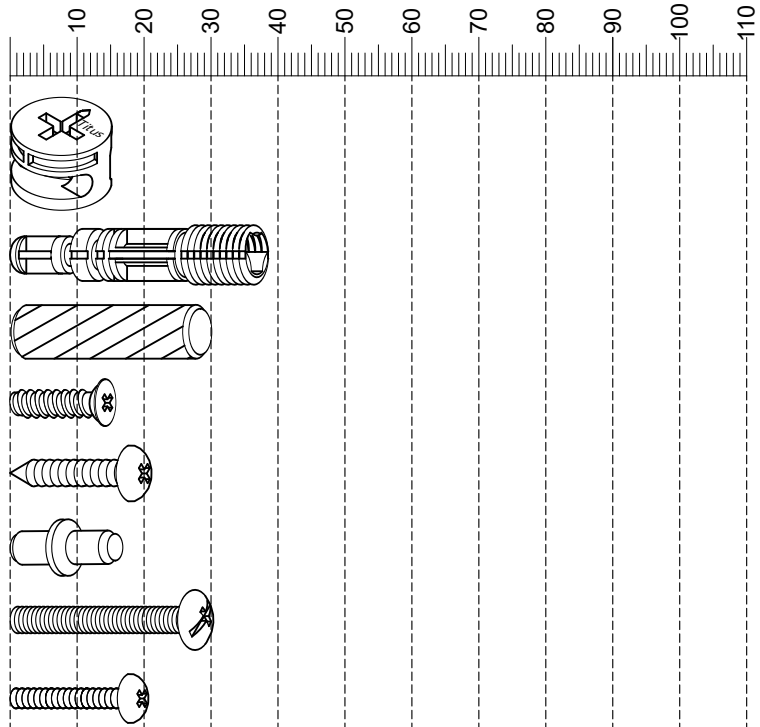
# NEXT

## FARNLEY / FARNLEY PINK CONSOLE

M75586 / 227738  
Assembly instructions

### Fixtures and fittings supplied (actual size)

Ref	Dimensions	Qty	Spare Qty
B3	Ø15 x 12mm	10 pre assembled	2
B8	Ø8 x 38mm	10 pre assembled	2
D6	Ø8 x 30mm	8 pre assembled	1
U139	Ø4.5 x 15mm	16	2
S41	Ø4 x 16mm	1	1
P3	Ø5 x 16mm	12	2
Z23	Ø4 x 25mm	2	N/A
Z7	Ø4 x 16mm	2	1



### Fixtures and fittings supplied ( not to scale)

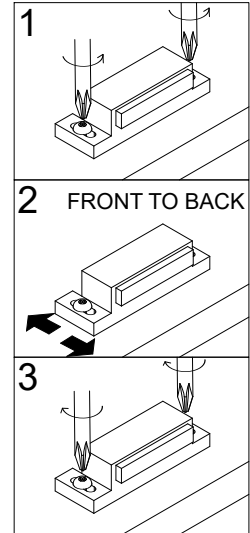
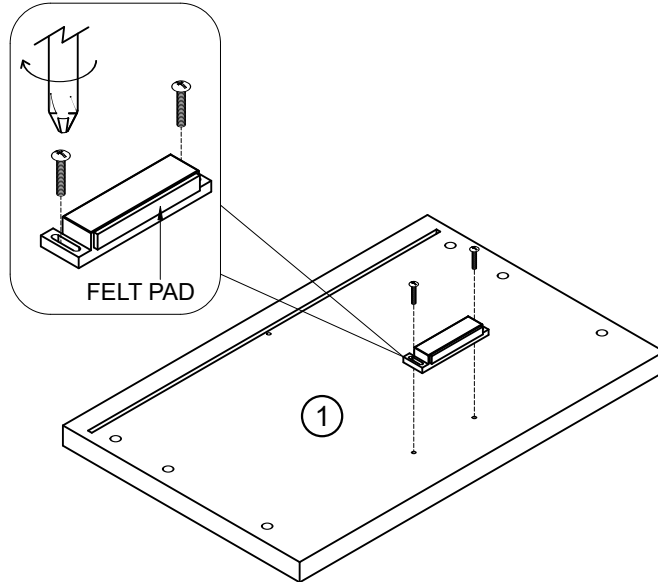
Ref	Dimensions	Qty	Spare Qty	Visual
O1	Ø21mm	8	1	
T38	N/A	6	1	
M3	N/A	1	N/A	
N7	N/A	1	N/A	
C5	N/A	4	N/A	
E2	N/A	2	N/A	




# NEXT

## FARNLEY / FARNLEY PINK CONSOLE

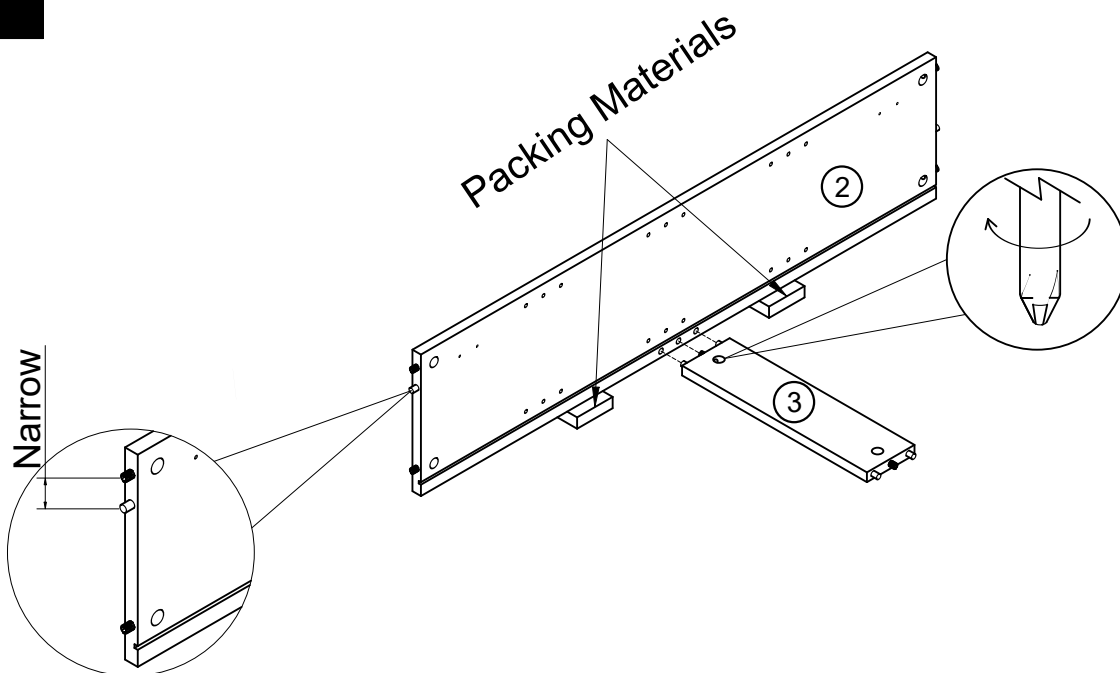
M75586 / 227738  
Assembly instructions

1



Z7	Ø4 x 16mm	2		 not supplied
M3	N/A	1		

2

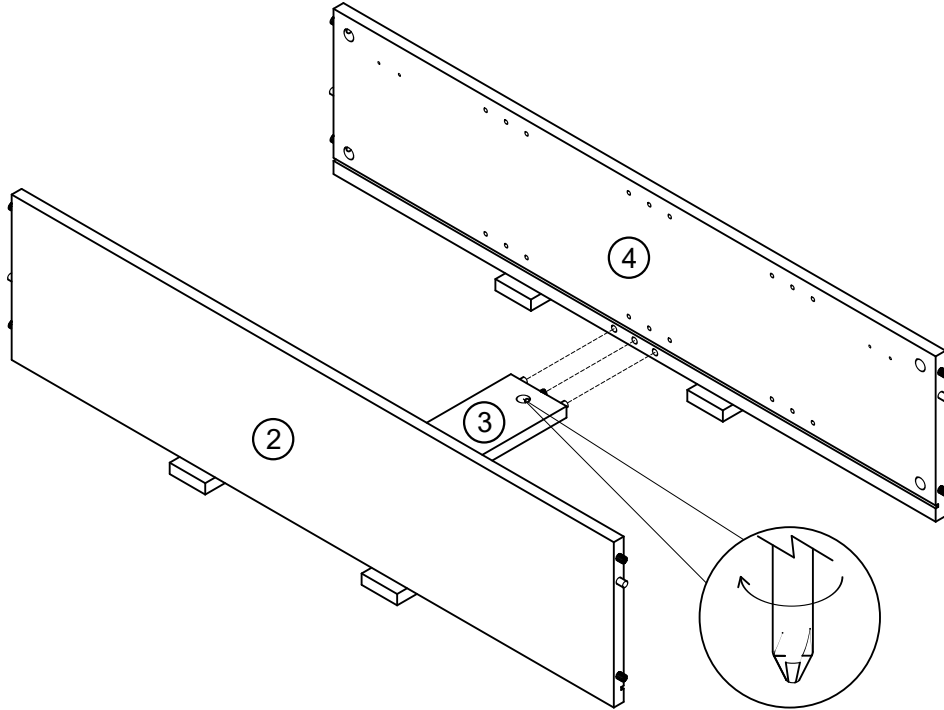




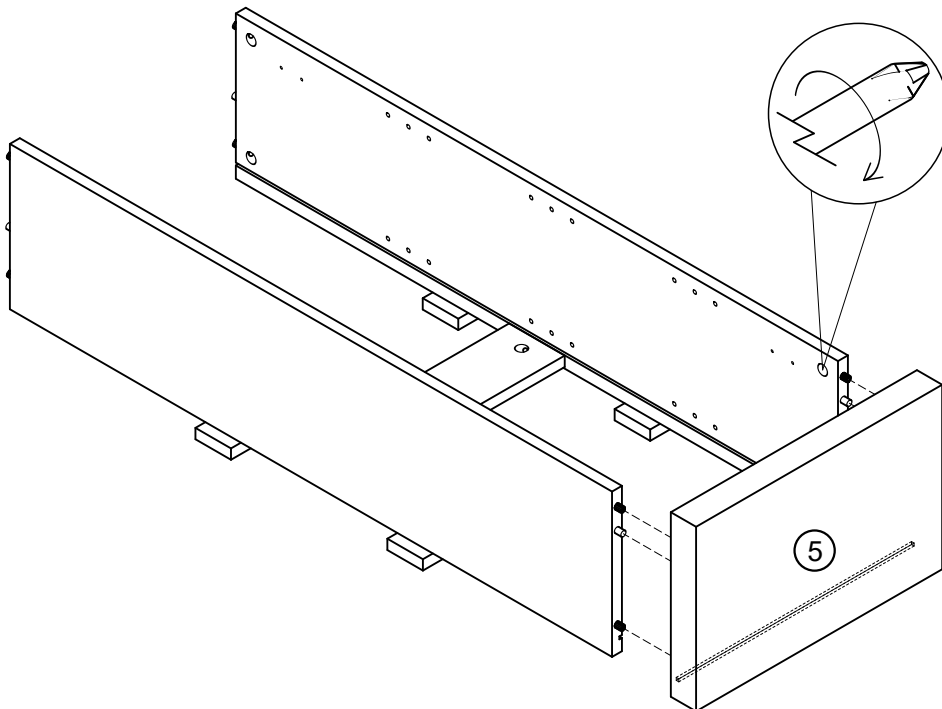
# NEXT

## FARNLEY / FARNLEY PINK CONSOLE M75586 / 227738 Assembly instructions

3



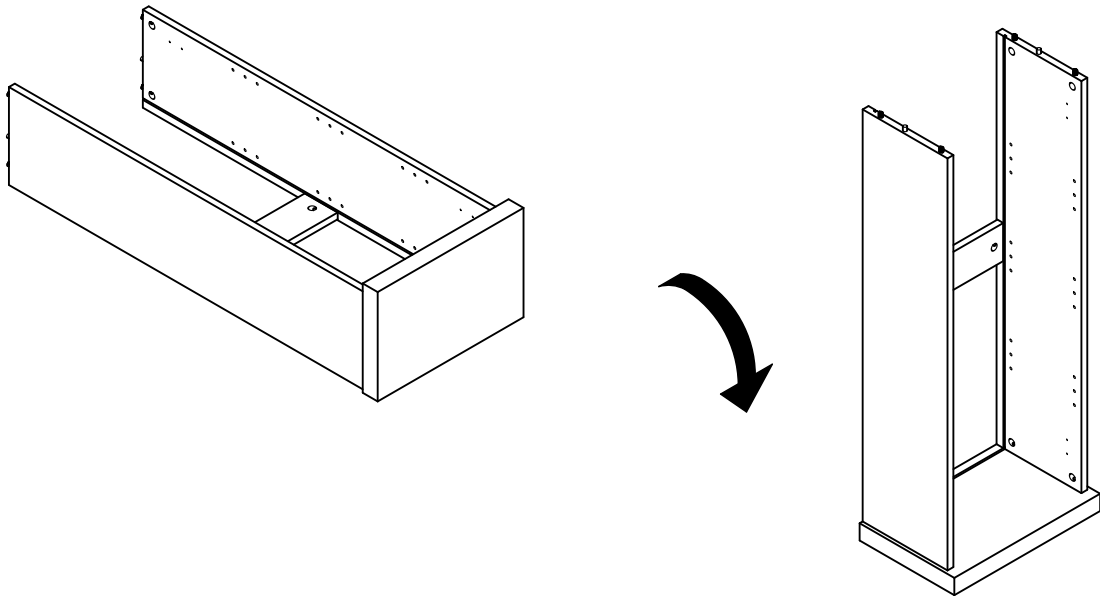
4



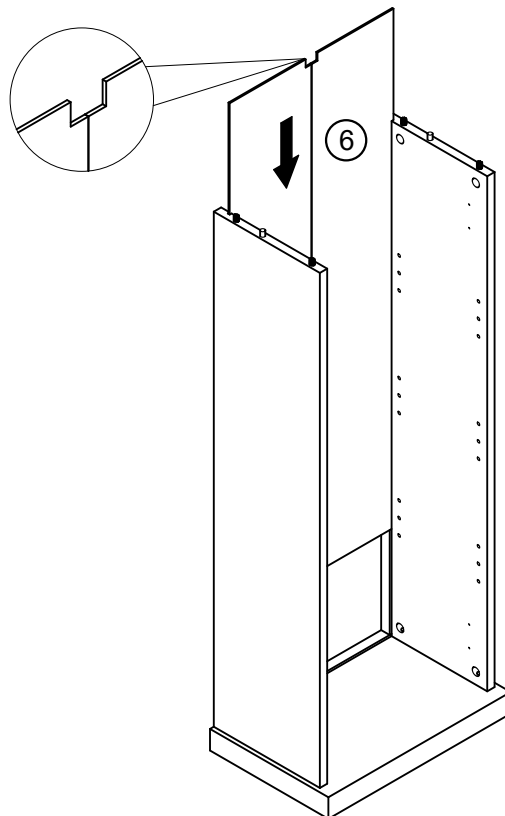
# NEXT

## FARNLEY / FARNLEY PINK CONSOLE M75586 / 227738 Assembly instructions

5



6

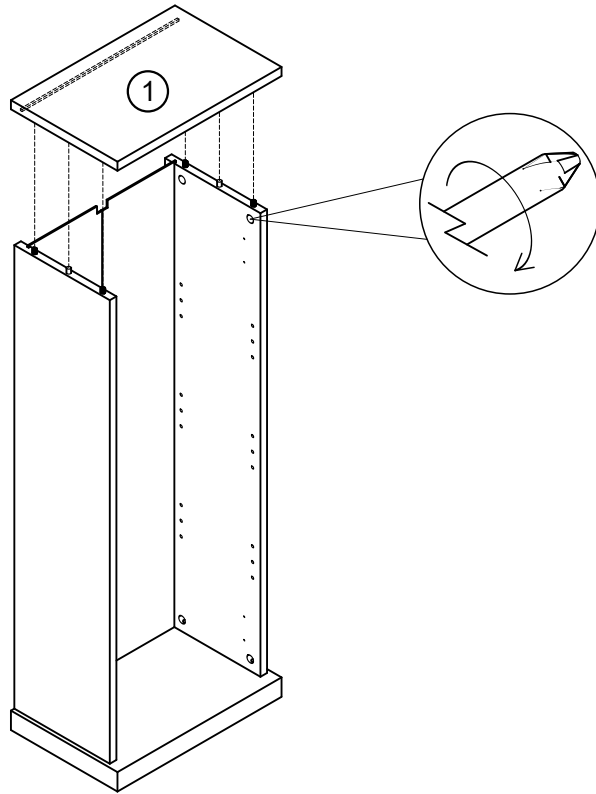


# NEXT

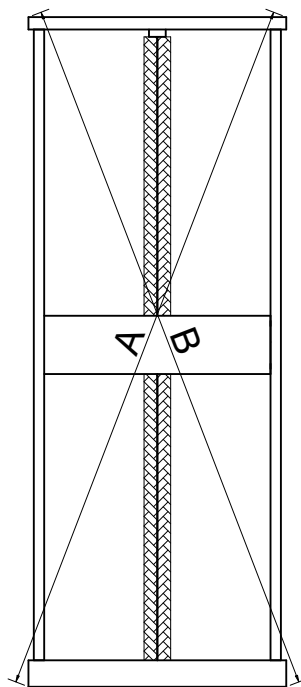
## FARNLEY / FARNLEY PINK CONSOLE

M75586 / 227738  
Assembly instructions

7



8



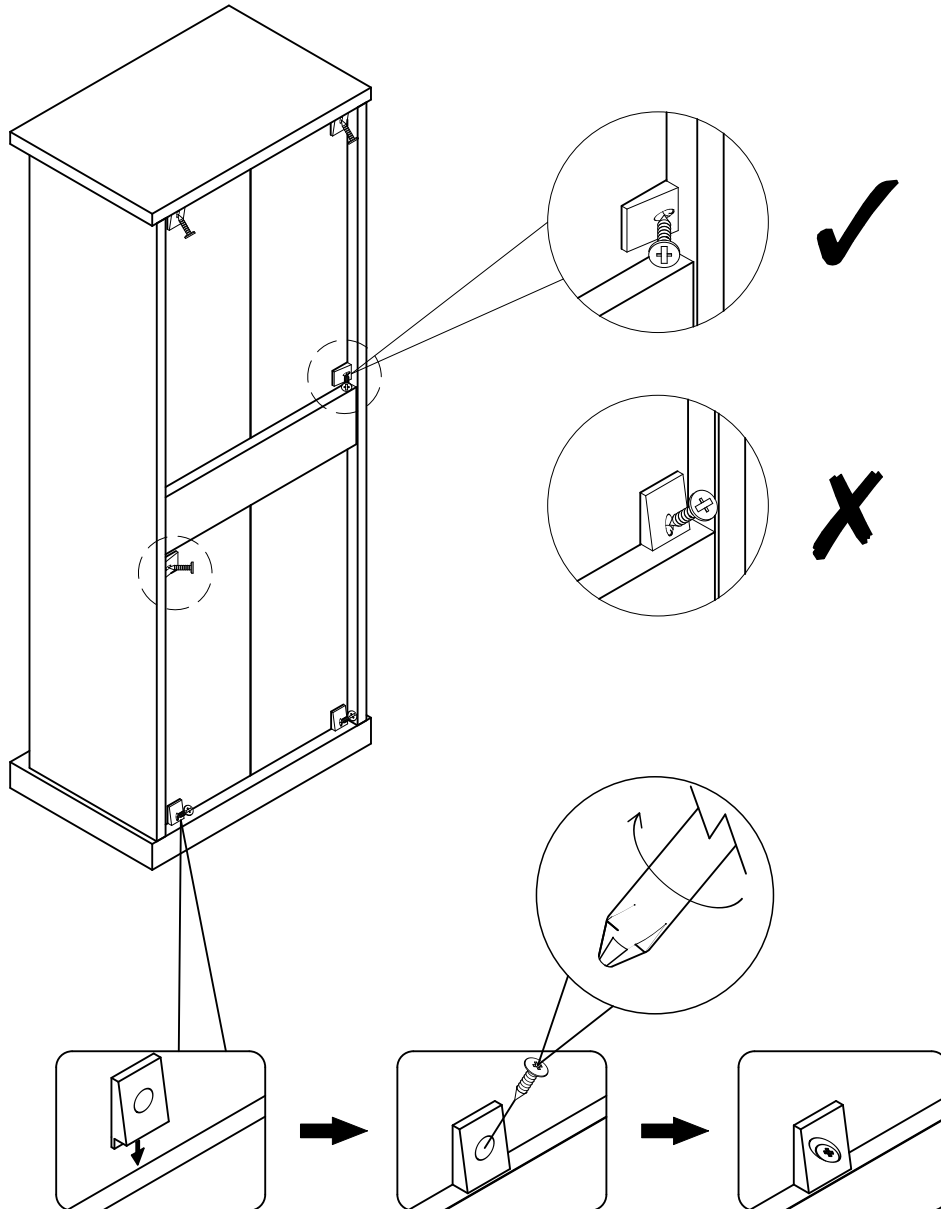
$$A=B$$

# NEXT

## FARNLEY / FARNLEY PINK CONSOLE

M75586 / 227738  
Assembly instructions

9



T38

N/A

6



not supplied

# NEXT

## FARNLEY / FARNLEY PINK CONSOLE

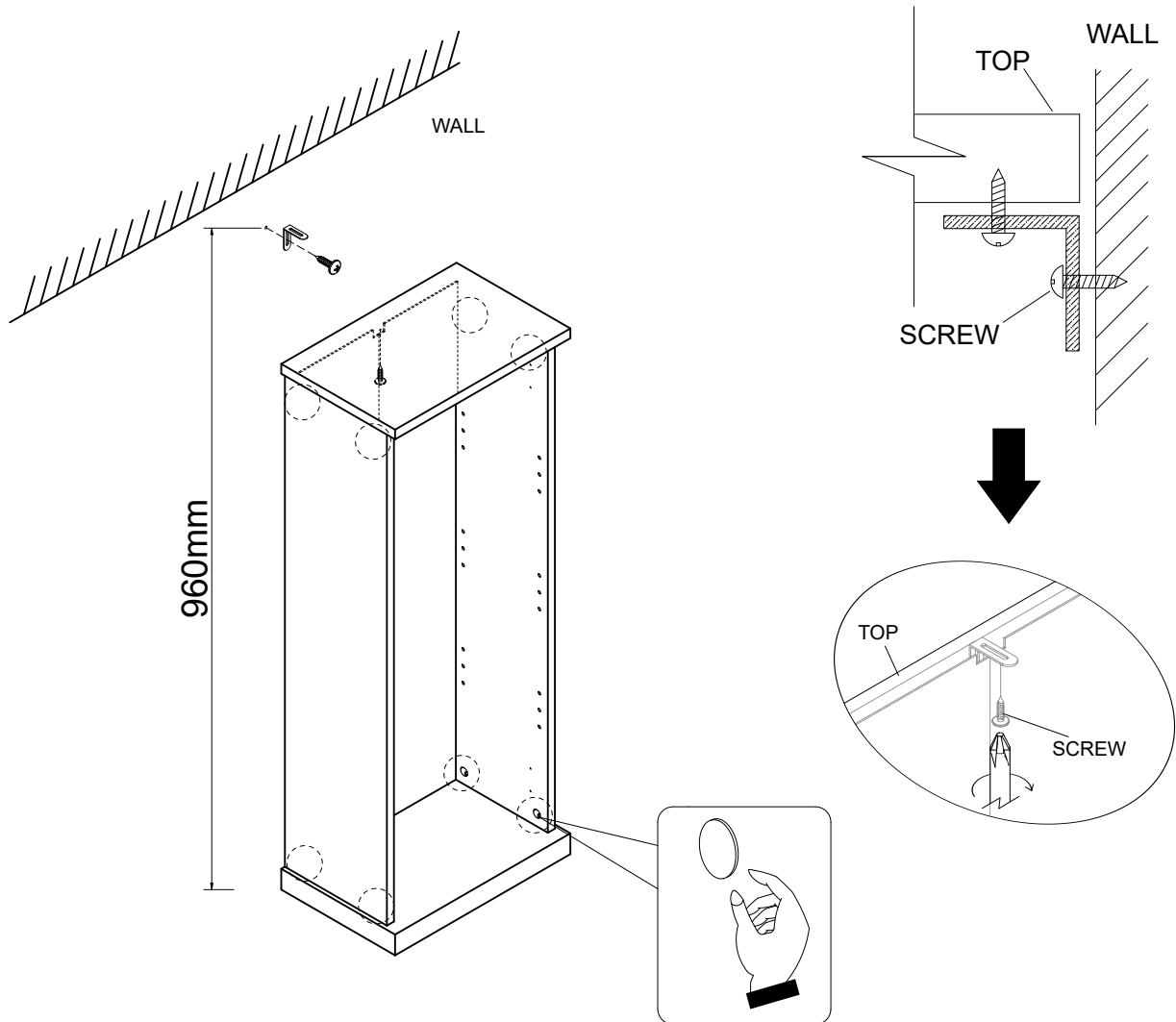
M75586 / 227738  
 Assembly instructions

10



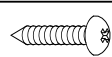

We recommend the use of the wall attachment bracket/strap provided for safety reasons. Move unit into desired position. Secure the 1X"L" metal brackets to the wall with an appropriate screw and wall plug for your wall type (not provided).

Warning: Always ensure intended wall area to be drilled is free from hidden electrical wires, water and gas pipes.

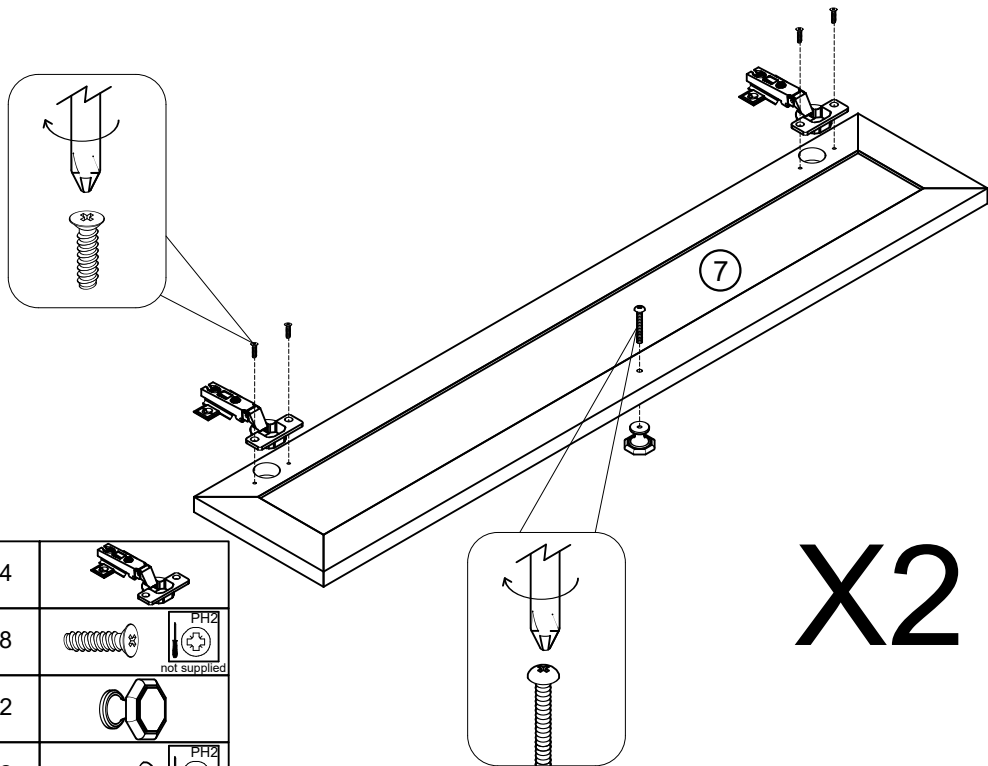
NB: Wall fixings are not included-Please source suitable fixing for your wall type. If in doubt please consult a qualified trades person.



Please apply the stickers provided to cover the camlocks as shown on the diagram as an example.

O1	Ø21mm	8	
N7	N/A	1	
S41	Ø4 x 16mm	1	  not supplied

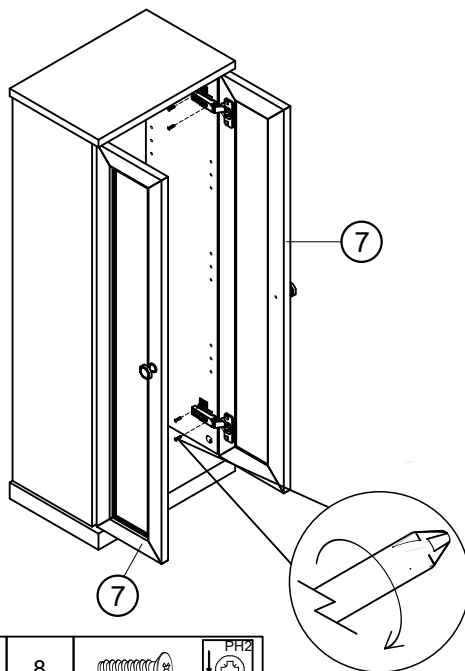
11



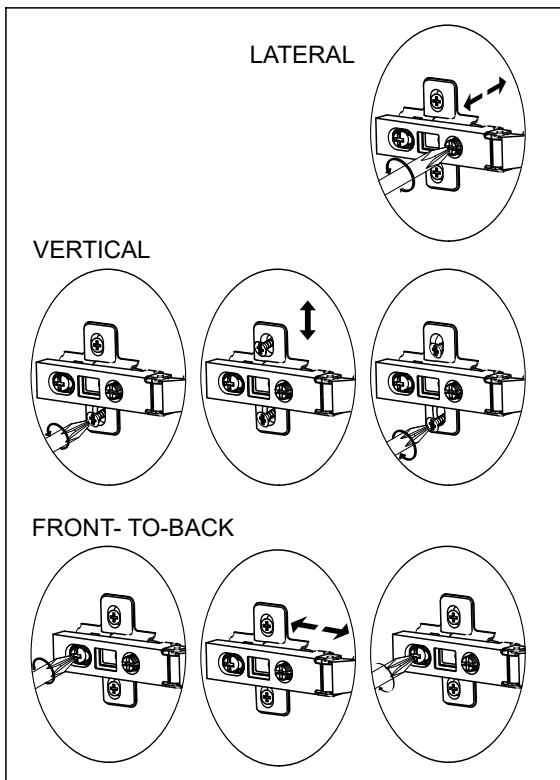
C5	N/A	4	
U139	Ø4.5 x 15mm	8	PH2 not supplied
E2	N/A	2	
Z23	Ø4 x 25mm	2	PH2 not supplied

12

To align the door, please adjust the hinges as shown below.



### Adjust Hinge Position



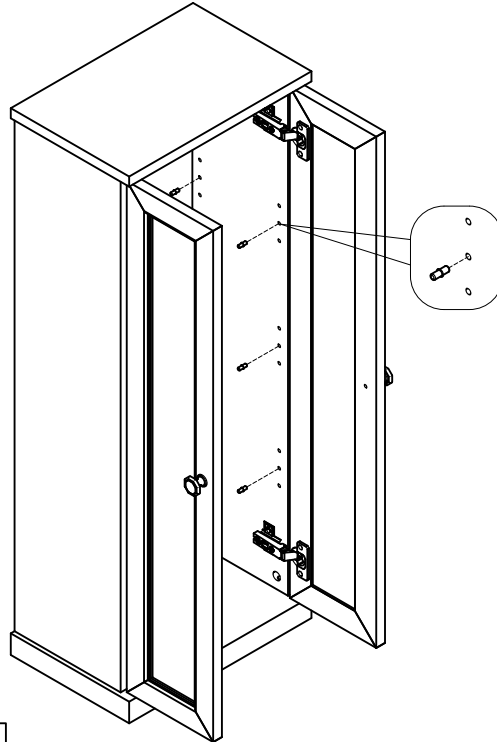
U139	Ø4.5 x 15mm	8	PH2 not supplied
------	-------------	---	---------------------

# NEXT

## FARNLEY / FARNLEY PINK CONSOLE

M75586 / 227738  
Assembly instructions

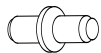
13



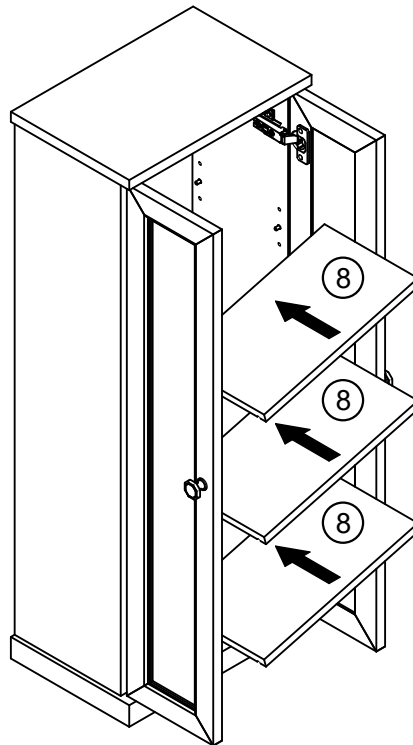
P3

Ø5 x 16mm

12



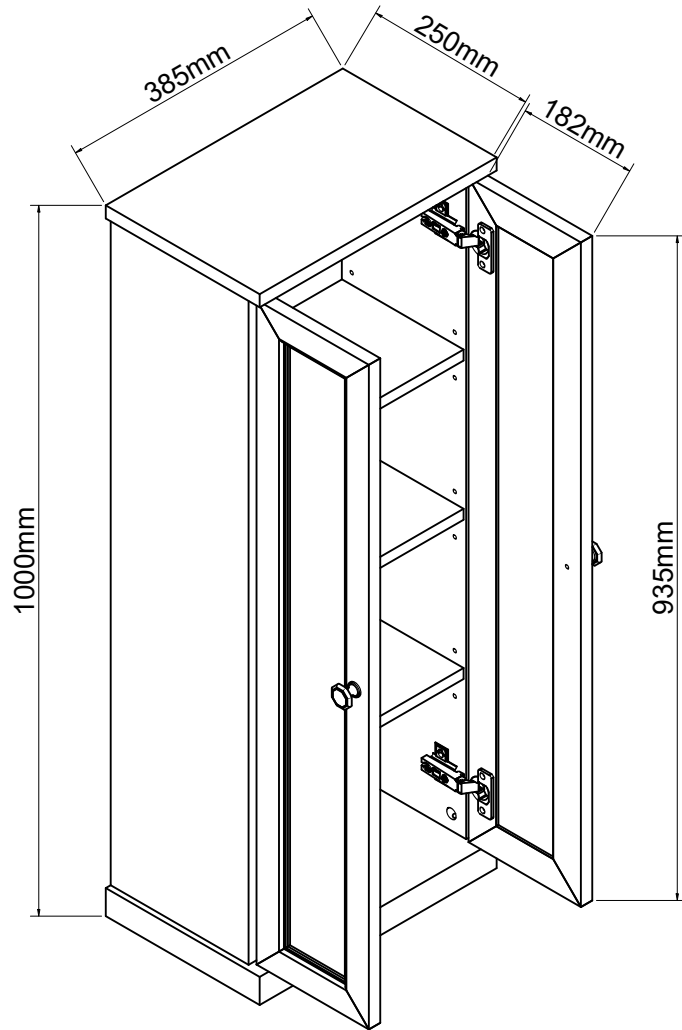
14



# NEXT

## FARNLEY / FARNLEY PINK CONSOLE M75586 / 227738

Actual product size  
H100 x W38.5 x D25cm





# NEXT

## FARNLEY / FARNLEY PINK CONSOLE

M75586 / 227738

### Warnings

We suggest you retain these instructions for future reference.

Keep fittings out of children's reach and keep children well away from construction area.

This product should only be used on firm level ground.

Please periodically check all fittings and re-tighten as necessary.

Please do not sit or stand on your furniture.

Avoid exposing the furniture to excessive heat or direct sunlight as this can cause deterioration of the colour.

Unwrap all packaging materials and place the components on top of the carton box or on a clean floor to protect it from damage

### Missing parts

If you are missing any fixtures and fittings for your product. Please contact our customer service team on 0333 777 8999 and they will be happy to arrange for a replacement to be sent to you free of charge.

### Home service technicians

If you have a fault with your product, please contact our customer service team on 0333 777 8999. If you have had the product for 28 days or less you may be offered a replacement, refund or for a fully trained home service technician to visit your home to assess the fault and repair the product where possible. If you have had the product for more than 28 days we will send an independent home service technician to review and repair the product where possible and recommend further action.

### You can write to us at

Home Customer Services  
Next Retail Ltd.  
Desford Road,  
Leicester,  
LE19 4AT

Next Retail (Ireland) Ltd,  
DO2 ED70

To view our full furniture range please visit [www.next.co.uk](http://www.next.co.uk)