

next

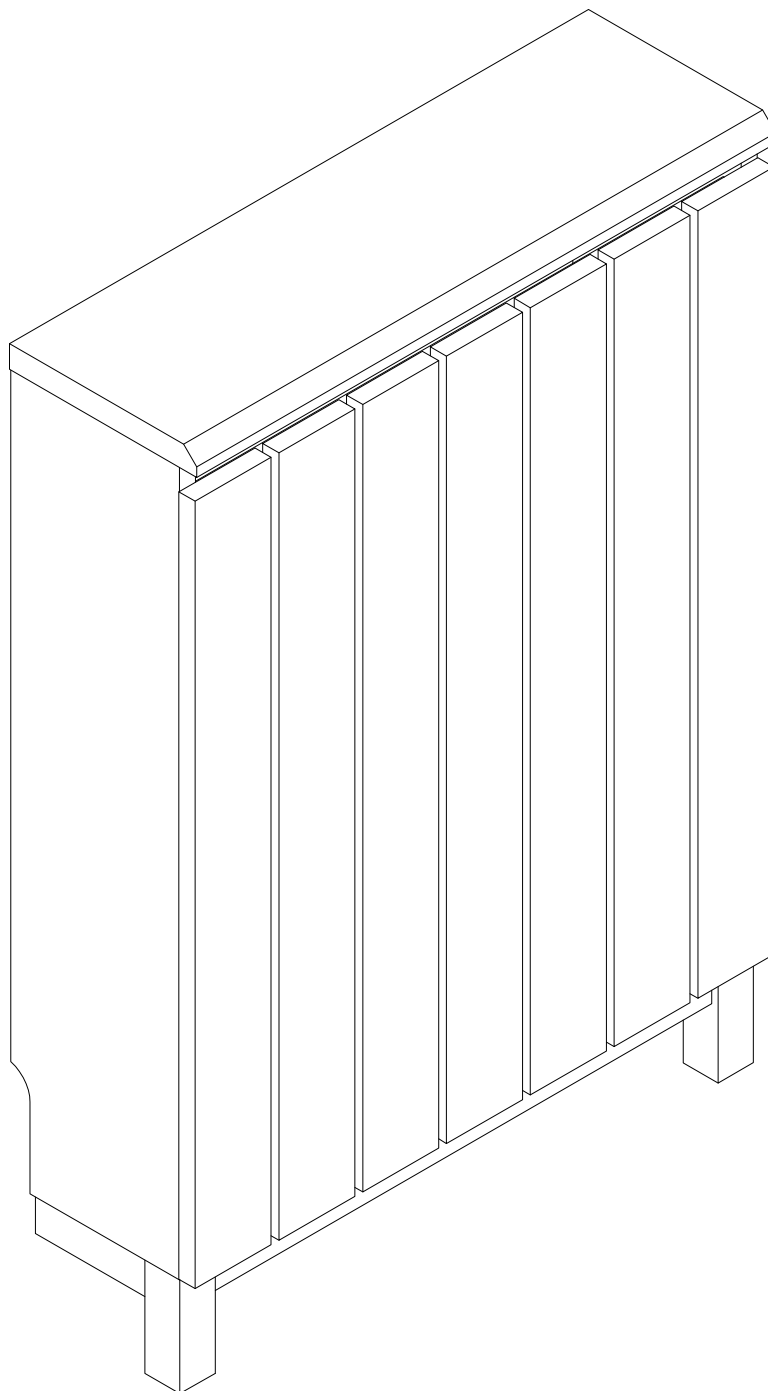
BRONX RADIATOR COVER SLIM

238647

Assembly instructions

Actual product size

H94.5 x W66 x D22cm



Need Help?

With: Assembly instructions
Missing or damages parts

IMPORTANT - RETAIN FOR FUTURE REFERENCE

CALL: 0333 777 8999

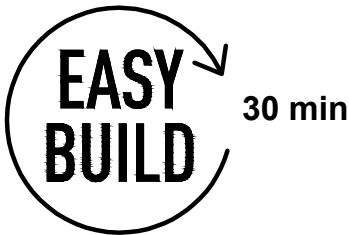
BEFORE YOU START

Number of people required to assemble

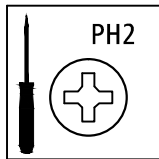
Two people are required to assemble this item



Time to assemble



Tools required



not supplied

Do's

We suggest you spend a short time reading through this leaflet before you start

When you are ready to start, make sure that you have the right tools and plenty of space

Unwrap all packaging materials and place the components on a clean surface to protect them from damage, we recommend that the packaging is used to protect the surfaces during assembly

Carefully check that you have all the parts before beginning assembly

Due to the size of the product we recommend that it is assembled in the room intended for use

Ensure the product is fully assembled as illustrated and all fixings fully tightened before use

Wipe occasionally with a soft cloth slightly dampened with water. Then buff with a dry clean soft cloth

Wood will mellow and change colour over time, we recommend that ornaments and items placed on the surface are moved regularly for the first few months to prevent uneven mellowing

Don'ts

Do not drag or pull your furniture

Do not rub or scrub the surface when cleaning

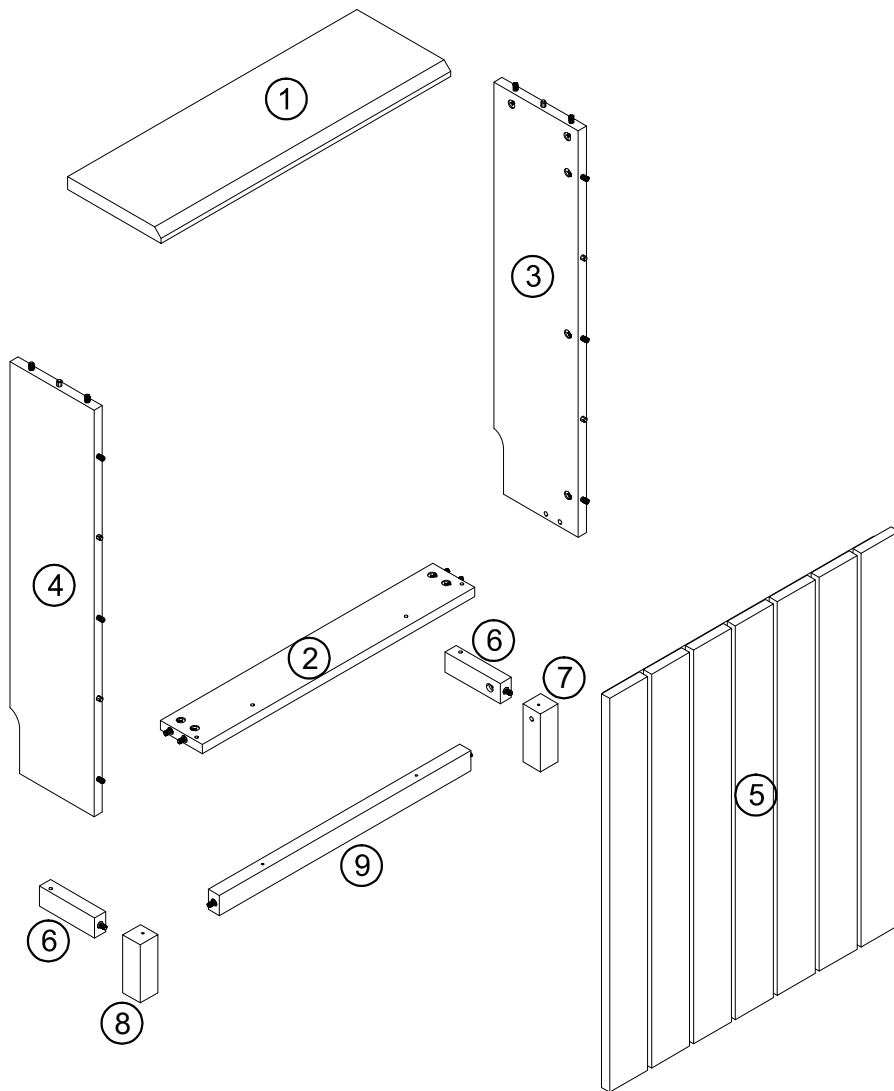
Do not use silicone based furniture polish. Silicone in furniture polishes can break down the finish

Never allow any kind of liquid to remain on your furniture. Absorption can cause wood to warp or finishes to de-laminate

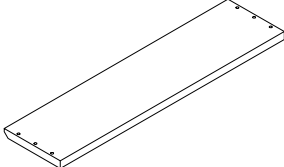
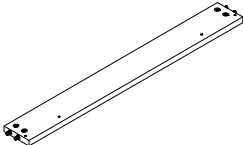
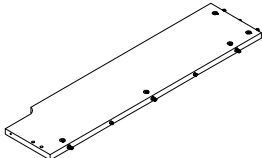
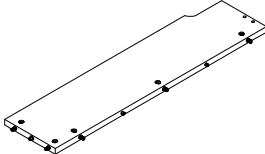
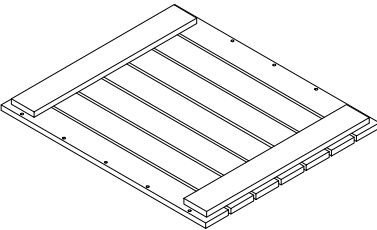



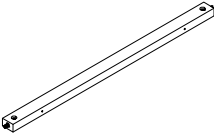
Do not place hot items (e.g.hot drinks) directly on to the wood surface. Please make sure you use a placemat or coaster

Do not use this item if any components are missing or damaged.

GETTING TO KNOW YOUR PRODUCT

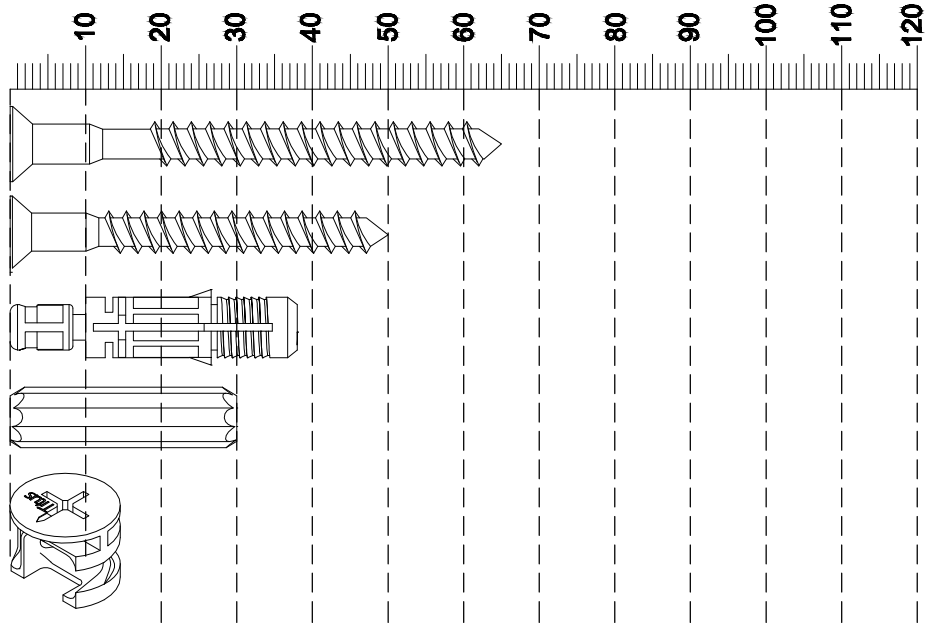


Components supplied. Please use this guide if you require replacement parts.

Ref	Dimensions	Visual	Qty	Ctn
1	66.2 x 21.4cm		1	1
2	62.4 x 9.5cm		1	1
3	80.6 x 19.2cm		1	1
4	80.6 x 19.2cm		1	1
5	66.2 x 78cm		1	1
6	12.6 x 4cm		2	1
7	11.5 x 4cm		1	1
8	11.5 x 4cm		1	1
9	57.6 x 4cm		1	1

Fixtures and fittings
supplied (actual size)

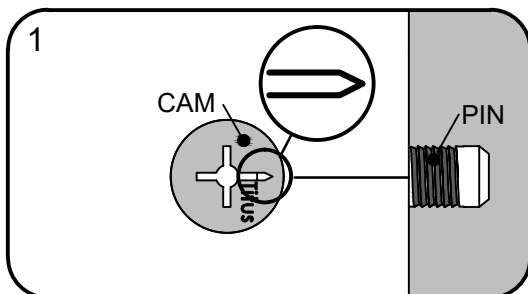
Ref	Dimensions	Qty	Spare Qty
a	Ø5 x 65mm	2	1
a1	Ø5 x 50mm	4	1
c	Ø8 x 38mm	N/A	2
d	Ø8 x 30mm	N/A	1
f	Ø15 x 12mm	N/A	2



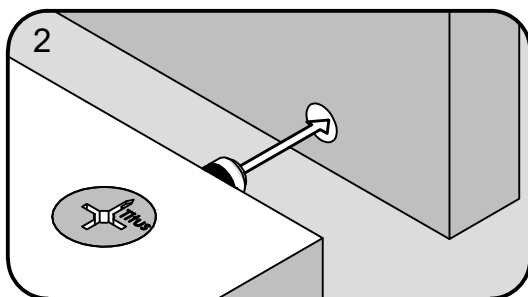
Fixtures and fittings supplied (not to scale)

Ref	Dimensions	Qty	Spare Qty	Visual
o	N/A	2	N/A	 4 x 25mm x 2

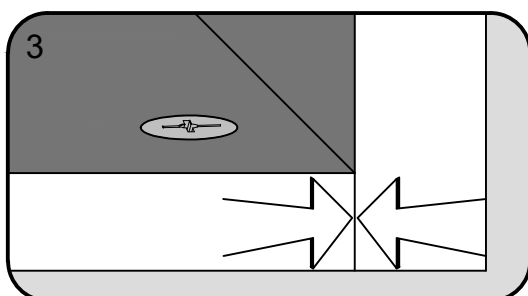
TITUS TIGHTENING INSTRUCTIONS



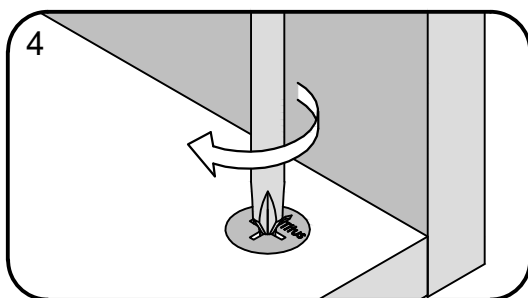
1 Line up the arrow on the CAM with the PIN.



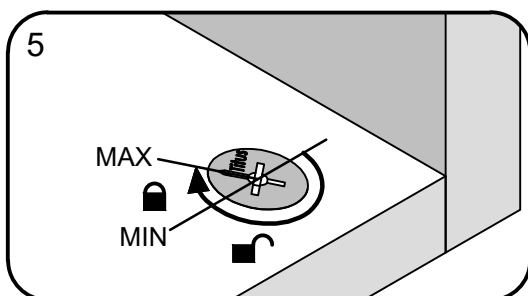
2 Push the pins into the holes in the panel to be joined.



3 Make sure there is no gap between the panels.

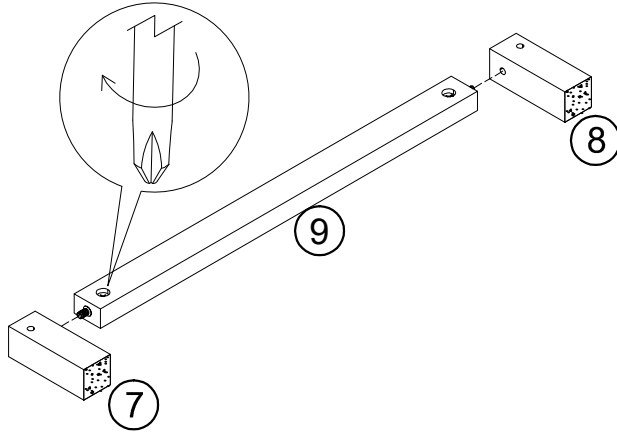


4 Use a cross-point screwdriver (PH2 or PZ2 is ideal) to tighten the cams and lock the panels together.



5 The panels are locked when each cam is turned to between 1/2 and 2/3 of a full turn (Maximum rotation)

1

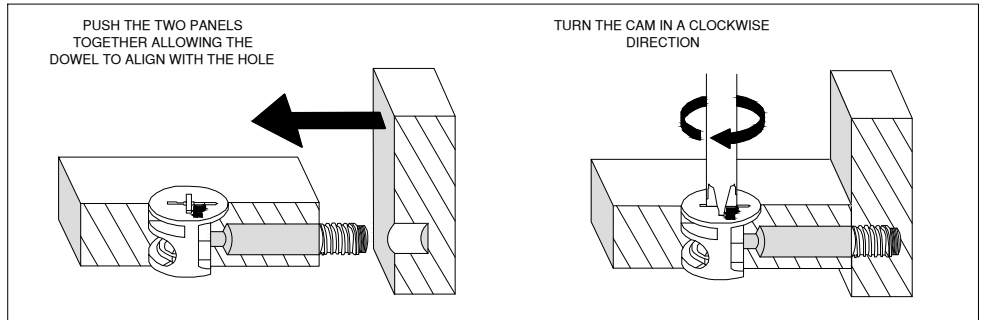


WHEN TIGHTENING THE CAM

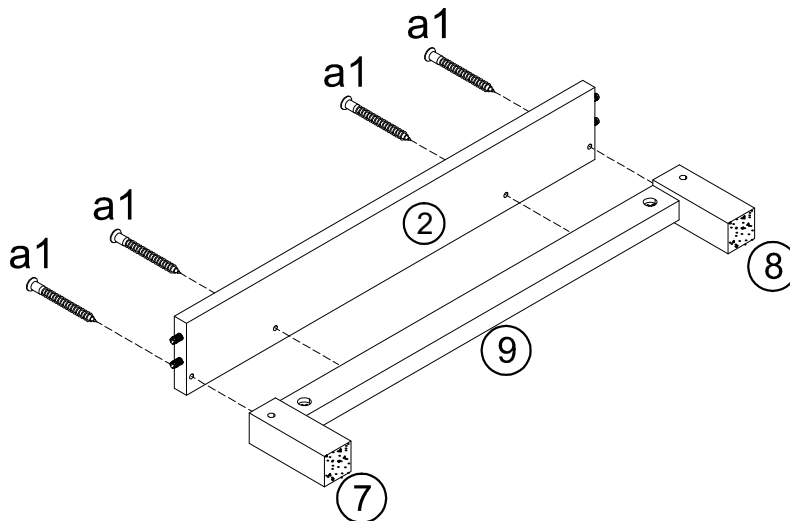
TURN THE CAM IN A CLOCKWISE DIRECTION UNTIL THE ARROW POINTS IN THE POSITIONS SHOWN IN THE DIAGRAMS BELOW

START

MAXIMUM LOCK



2



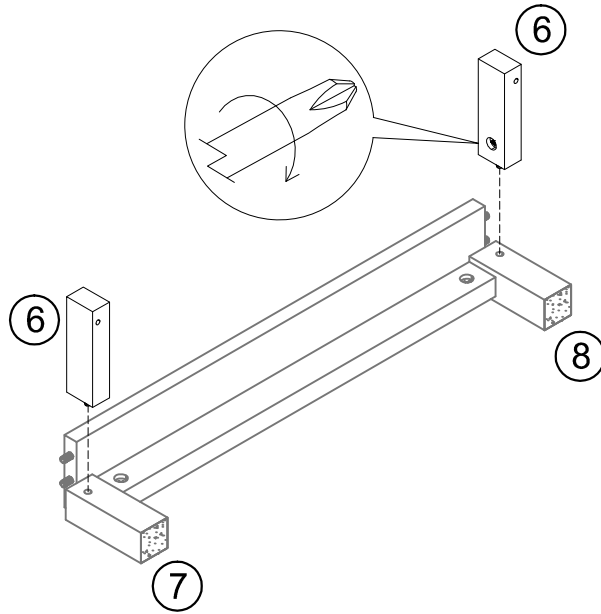
PH2

a1 x 4

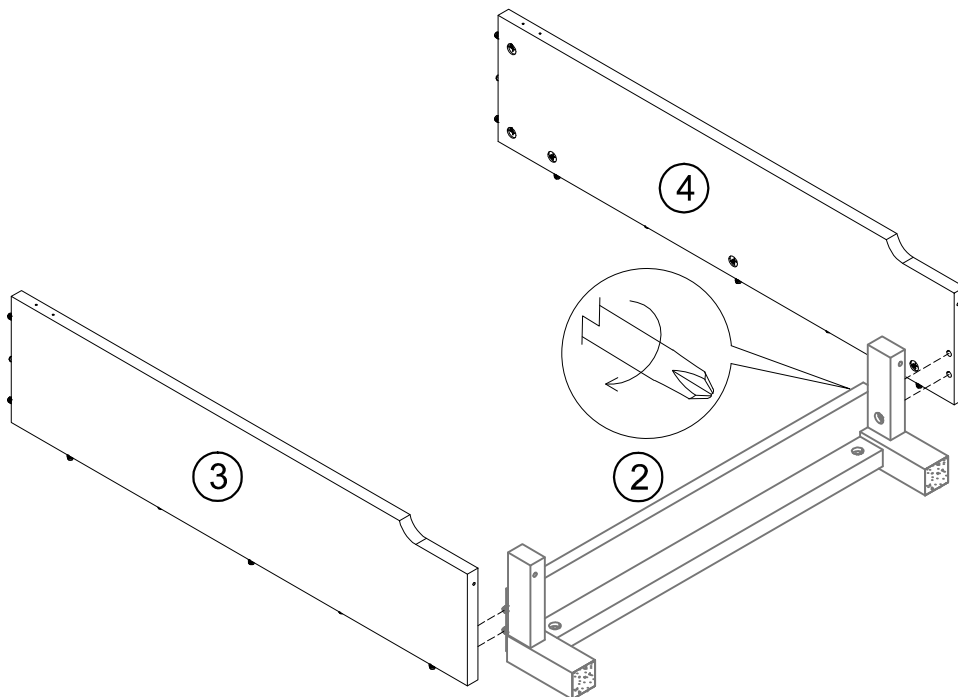
not supplied

5 x 50mm

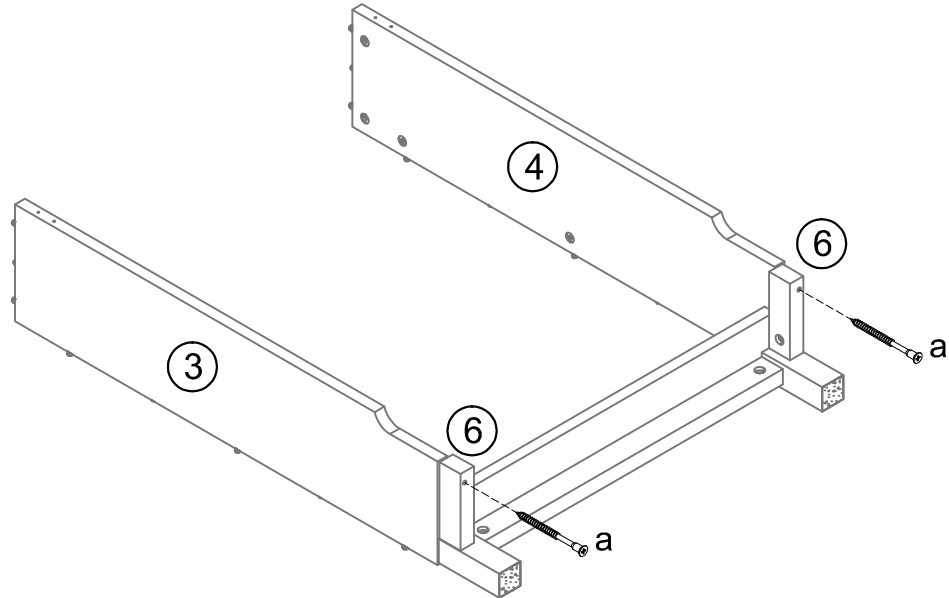
3



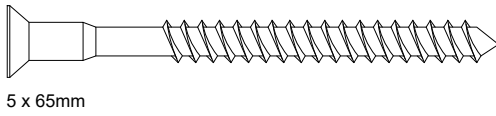
4



5

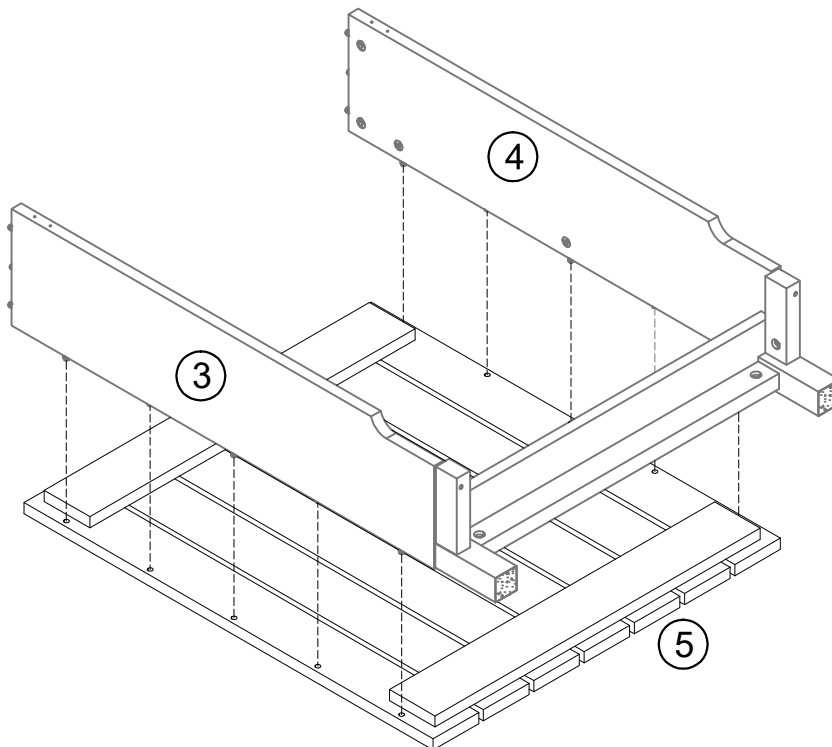


a x 2

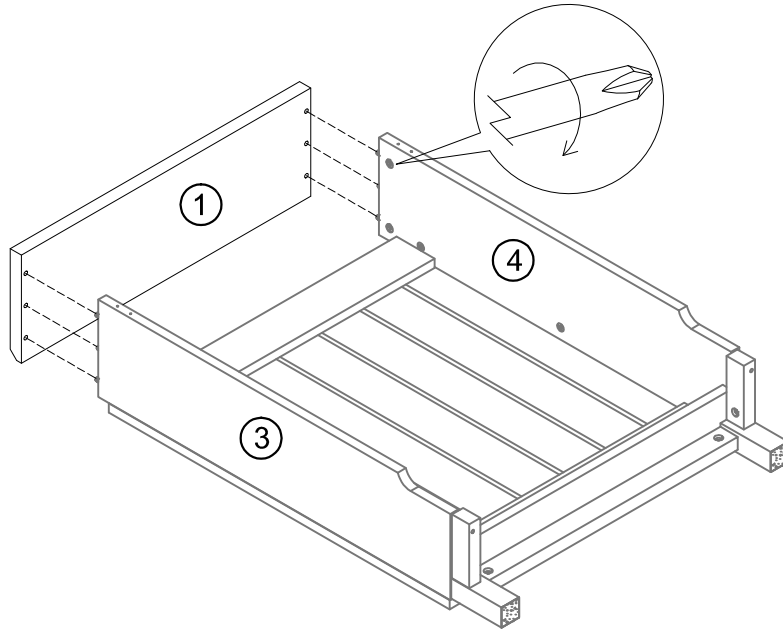


5 x 65mm

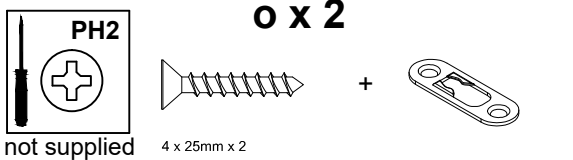
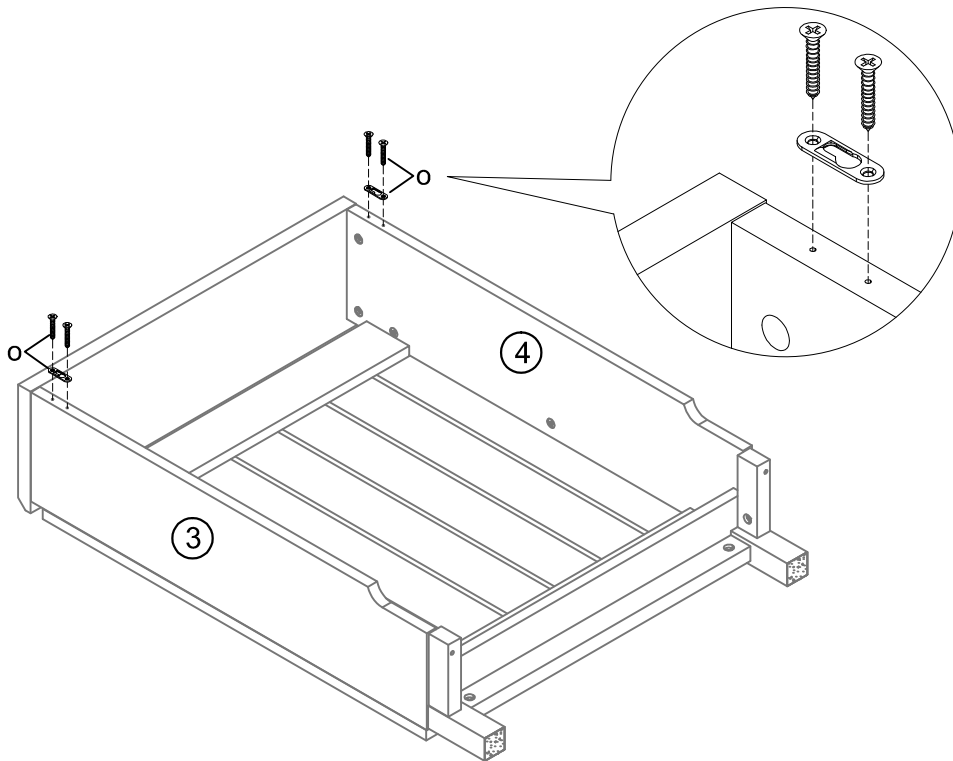
6



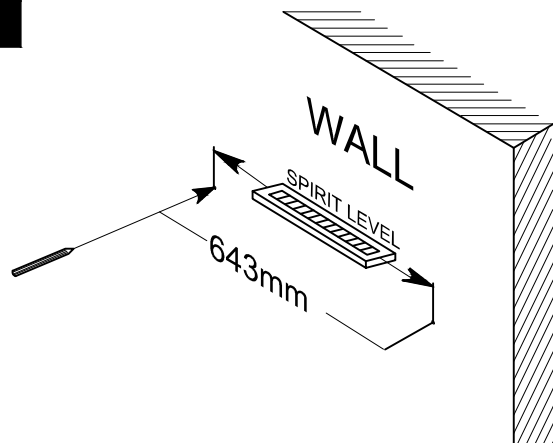
7



8



9



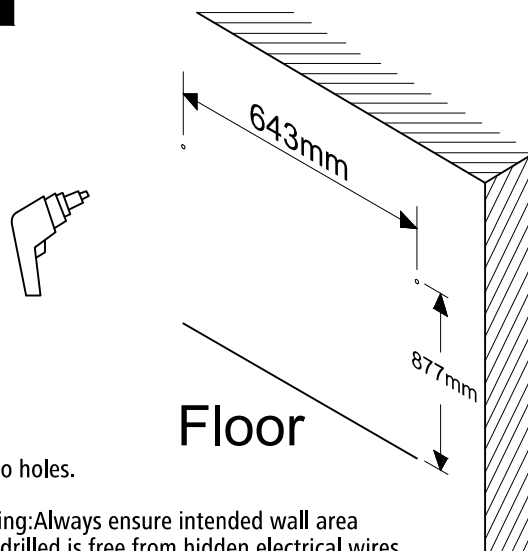
The hole need to be drilled 643mm apart

Mark where the holes need to be drilled.

Use a spirit level to check that the fixings are level.

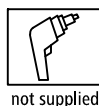


10

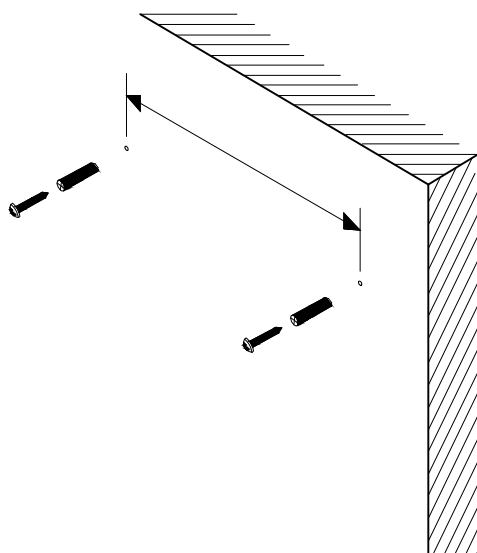


Drill to holes.

Warning: Always ensure intended wall area to be drilled is free from hidden electrical wires, water and gas pipes.

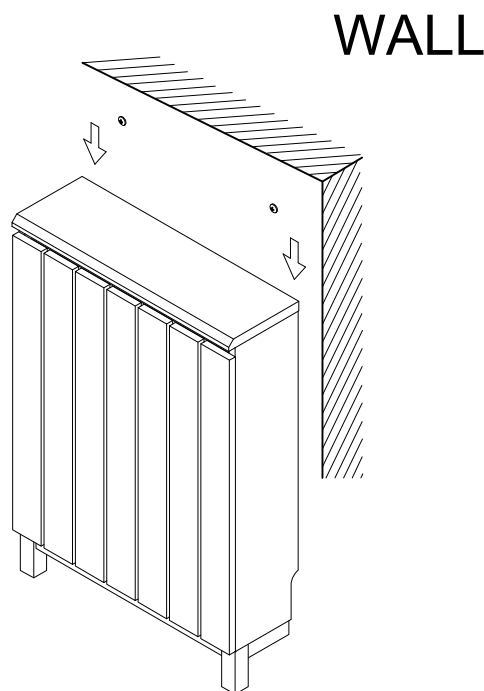


11

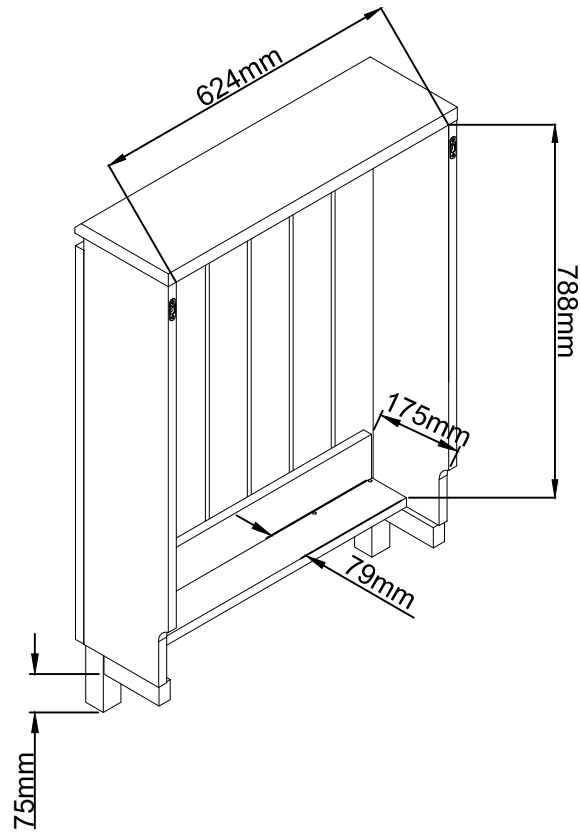
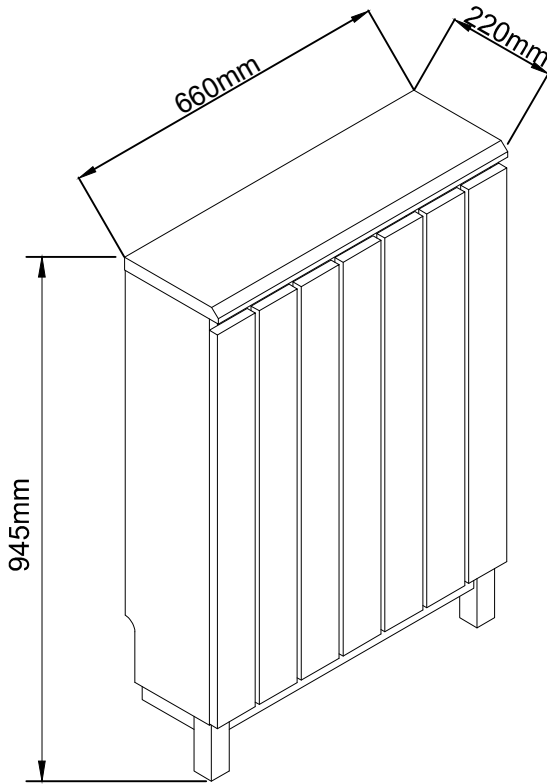


Insert an appropriate wall plug into each hole.
Insert the screws and tighten, leaving the screw head axposed by 1/4 inch (6mm)

12



Actual product size
H94.5 x W66 x D22cm



Warnings

We suggest you retain these instructions for future reference.

Keep fittings out of children's reach and keep children well away from construction area.

This product should only be used on firm level ground.

Please periodically check all fittings and re-tighten as necessary.

Please do not sit or stand on your furniture.

Avoid exposing the furniture to excessive heat or direct sunlight as this can cause deterioration of the colour.

Unwrap all packaging materials and place the components on top of the carton box or on a clean floor to protect it from damage

Wall Bracket Provided. In order to prevent overturning, this product must be used with the wall attachment device provided.

Missing parts

If you are missing any fixtures and fittings for your product. Please contact our customer service team on 0333 777 8999 and they will be happy to arrange for a replacement to be sent to you free of charge.

Home service technicians

If you have a fault with your product, please contact our customer service team on 0333 777 8999. If you have had the product for 28 days or less you may be offered a replacement, refund or for a fully trained home service technician to visit your home to assess the fault and repair the product where possible. If you have had the product for more than 28 days we will send an independent home service technician to review and repair the product where possible and recommend further action.

You can write to us at

Home Customer Service
Next Retail Ltd.
Desford Road,
Leicester,
LE19 4AT

To view our full furniture range please visit www.next.co.uk