

# BEFORE YOU GET STARTED...

We're confident you'll love your gorgeous new Next furniture. However, it's worth making absolutely certain before you put it all together.

So, let's quickly run through these three steps:

## 1. COLOUR

Make sure you're happy with the colour

No need to unpack everything, just check the first component.

## 2. PROTECTIVE PACKAGING

If you're happy, then it's time to get opening! Start by laying everything out on the protective packaging – this will prevent anything getting scratched.

## 3. PARTS PAGE

Finally, double check you have all the pieces by referencing the parts page of the instructions.

## TIPS FOR RETURNS

Not completely happy with the product? No problem.

We just need everything back in the original packaging, so follow the steps below and this will ensure a super-smooth returns process and no delay to your refund.

### DO



- Check everything is there (the 'parts page' is a handy checklist).
- Pop all the loose fittings and fixtures into the packaging provided or tie them up in a plastic bag.
- Wrap all the big components back up in the original protective packaging.
- Close up the box and seal it securely (don't be afraid to use plenty of tape).

### DON'T



- Leave anything assembled - all components should be dismantled and separately packed.
- Put loose fixtures and fittings straight into the box.
- Throw it back in the box carelessly - as it may get damaged.

next  
HOME

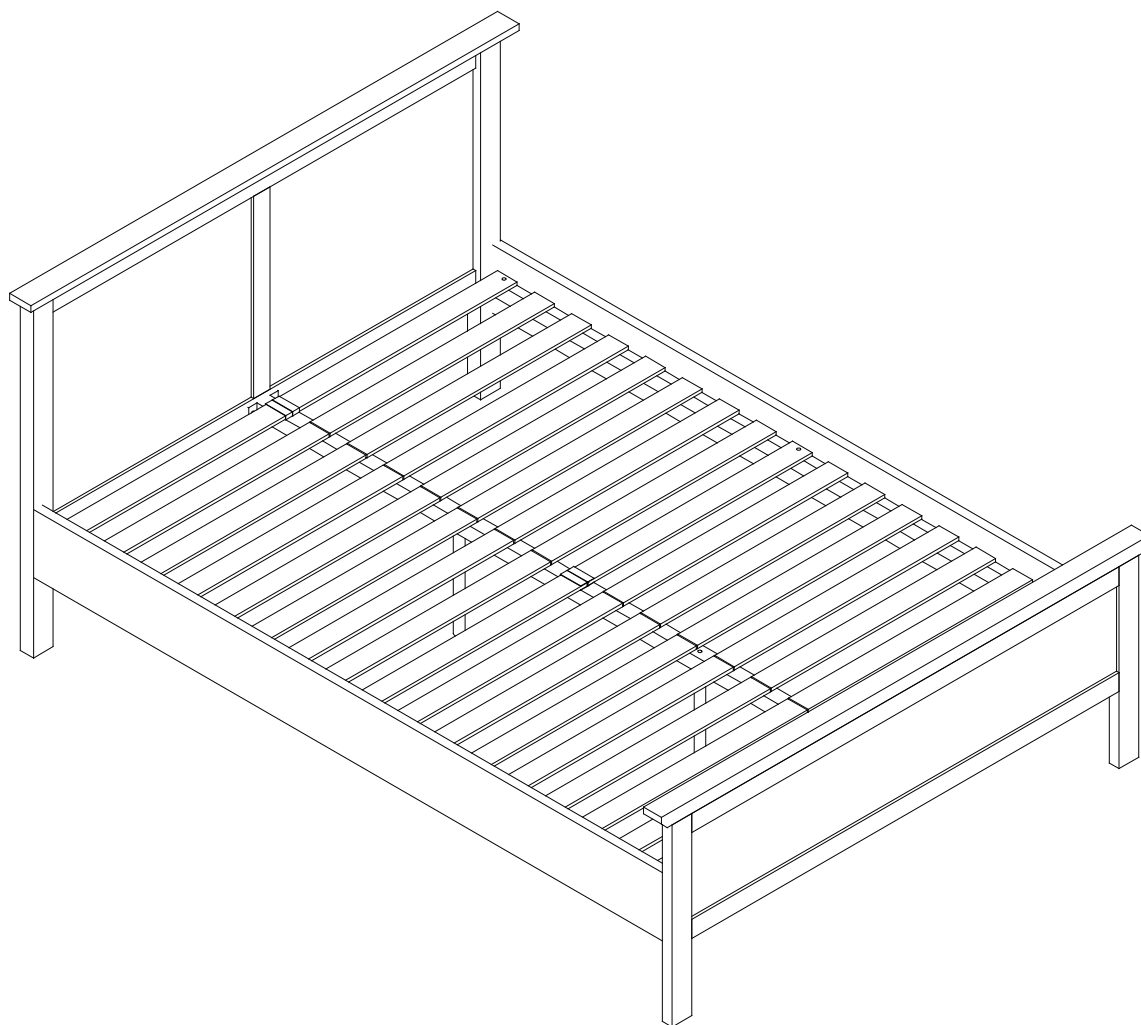
Then just give us a call on 0333 777 8999 and we'll sort out a pick up time for you.



**next**

**SUTTON BED**  
972977/250110  
Assembly instructions

**Actual product size**  
W164 x L211.5 x H96cm



W164 x L211.5 x H96cm

**IMPORTANT – RETAIN FOR FUTURE REFERENCE**

**Need Help?**

With: Assembly instructions  
Missing or damaged parts

**CALL: 0333 777 8999**



## BEFORE YOU START

### Warnings

We suggest you retain these instructions for future reference.

Keep fittings out of children's reach and keep children well away from the construction area.

This product should only be used on firm, level ground.

Please periodically check all fittings and re-tighten as necessary.

Please do not jump or stand on your furniture.

Avoid exposing the furniture to excessive heat or direct sunlight as this can cause deterioration of the colour.

### Do's

We suggest you spend a short time reading through this leaflet before you start.

When you are ready to start, make sure that you have the right tools and plenty of space.

Carefully check that you have all the parts before beginning assembly

Due to the size of the product we recommend that it is assembled in the room intended for use.

Ensure the product is fully assembled as illustrated and all fixings are fully tightened before use.

Wipe occasionally with a soft cloth slightly dampened with water. Then buff with a dry clean soft cloth.

### Don'ts

Do not drag or pull your furniture.

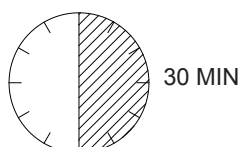
Do not use silicone based furniture polish. Silicone in furniture polishes can break down the finish.

Never allow any kind of liquid to remain on your furniture. Absorption can cause wood to warp or finishes to de-laminate.

### Number of people required to assemble

Two persons are required to assemble this item.

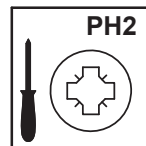
### Time to assemble



### Tools required



not supplied



not supplied

### Missing parts

If you are missing any fixtures and fittings for your product please contact our customer service team on 0333 777 8999 and they will be happy to arrange for a replacement to be sent to you free of charge.

### Home service technicians

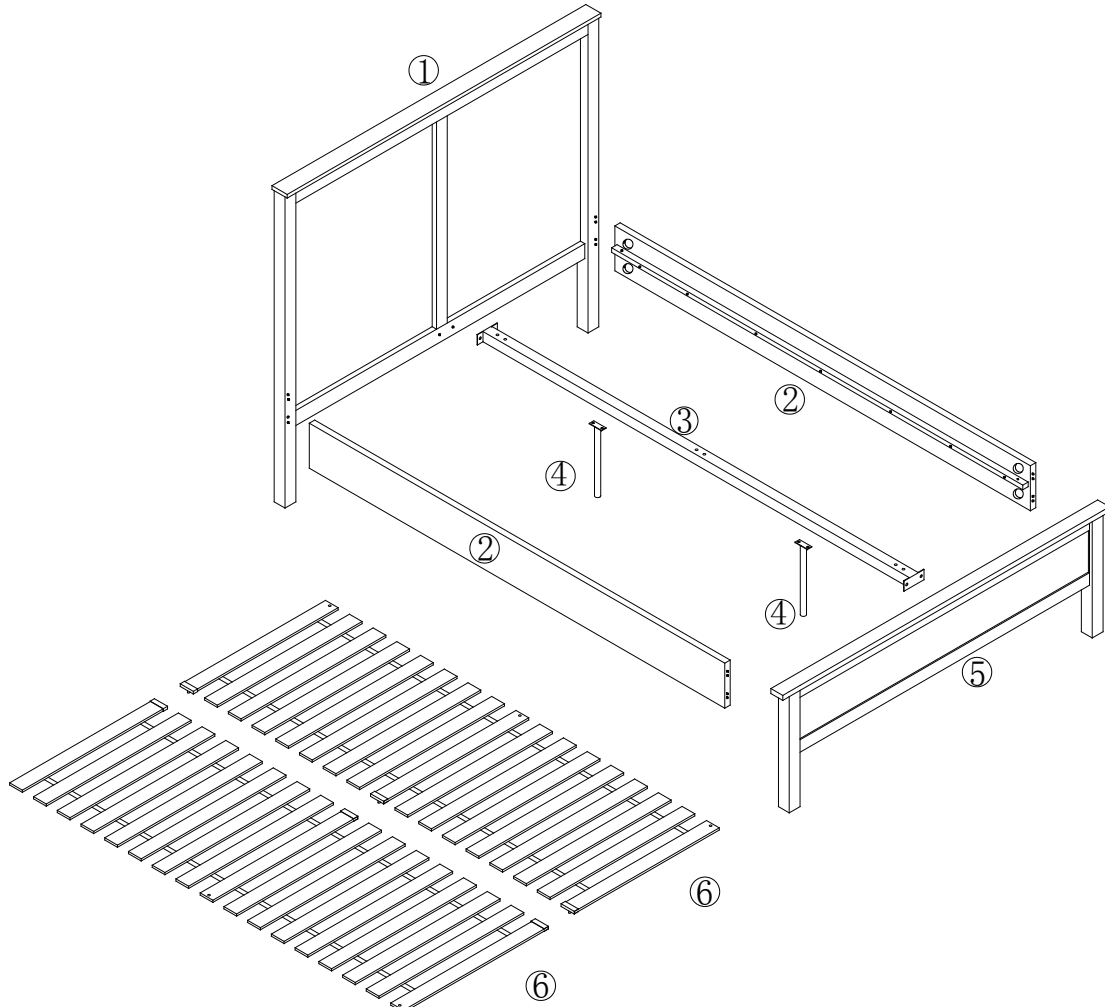
If you have a fault with your product please contact our customer service team on 0333 777 8999. If you have had the product for 28 days or less you may be offered a replacement, refund or for a fully trained home service technician to visit your home to assess the fault and repair the product where possible. If you have had the product for more than 28 days we will send an independant home service technician to review and repair the product where possible and recommend further action.

### You can write to us at

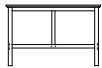
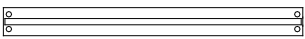

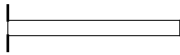


Home Customer Services  
Next Retail Ltd,  
Desford Road,  
Leicester,  
LE19 4AT

To View our full furniture range please visit [www.next.co.uk](http://www.next.co.uk)

GETTING TO KNOW YOUR PRODUCT

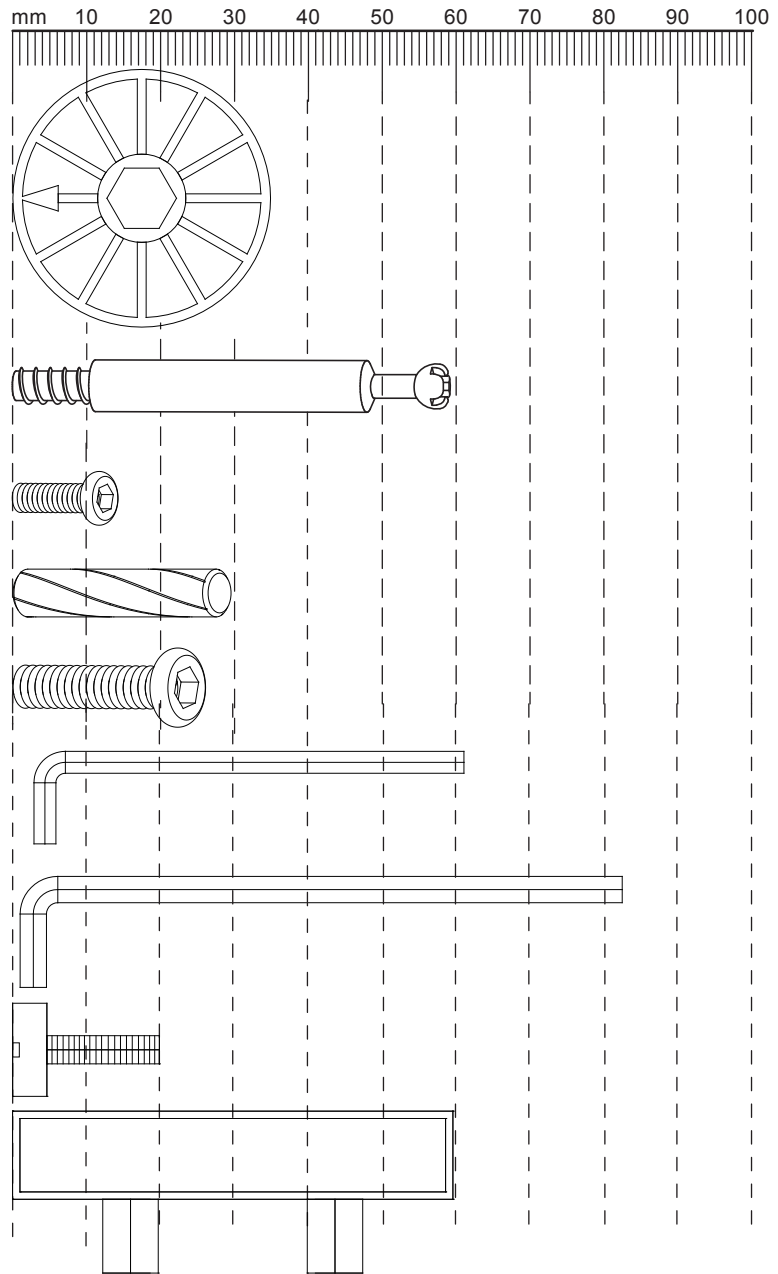


Components supplied. Please use this guide if you require replacement parts.

Ref	Dimensions	Visual	Qty	Ctn
1	164x96cm		1	1
2	202x18cm		2	1
3	203x4cm		1	1
4	2.5x27.5cm		2	1
5	164x57cm		1	1
6	185.5x76cm		2	1

Fixtures and fittings  
supplied (actual size)

Ref	Dimensions	Quantity	* Extra Fittings
A	35 x 16mm	8	0
B	8 x 59mm	8	1
C	6 x 15mm	8	1
D	∅8 x 30mm	8	1
E	6 x 25mm	6	1
G	61x21x4 mm	1	0
H	82x27x6 mm	1	0
I	6x20 mm	2	0
J	60x60mm	3	0

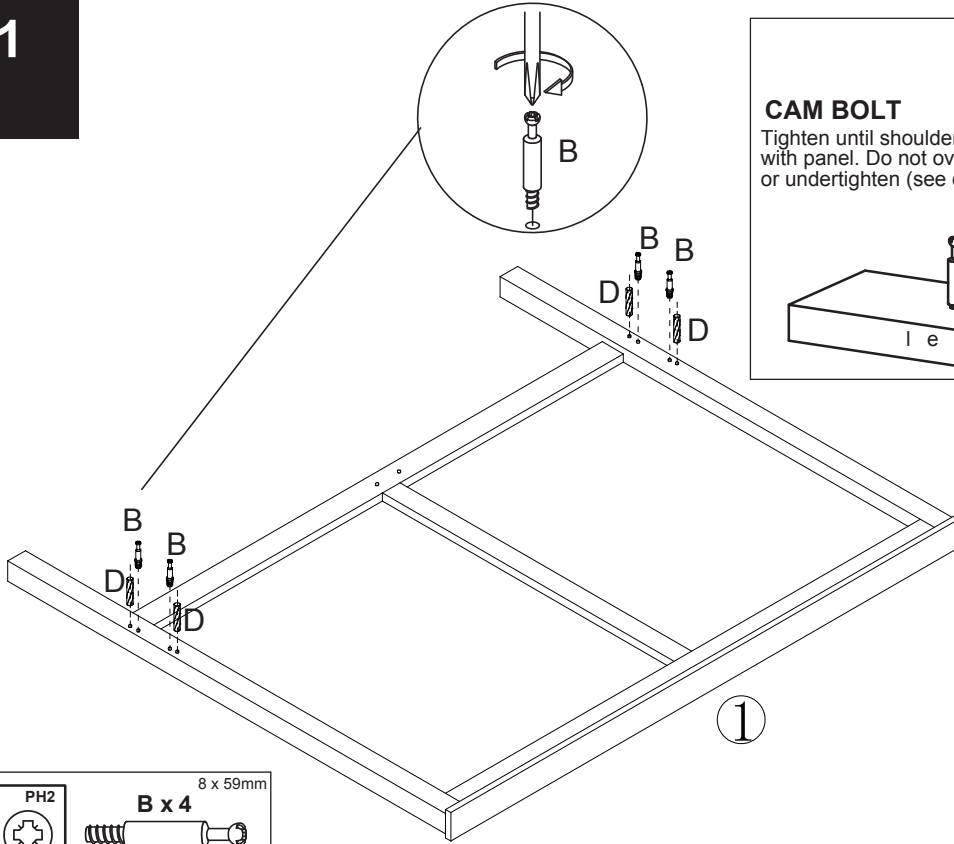


# SUTTON BED

972977/250110

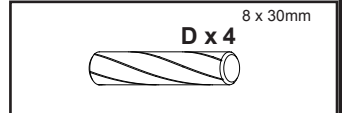
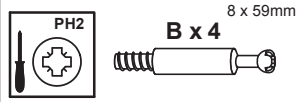
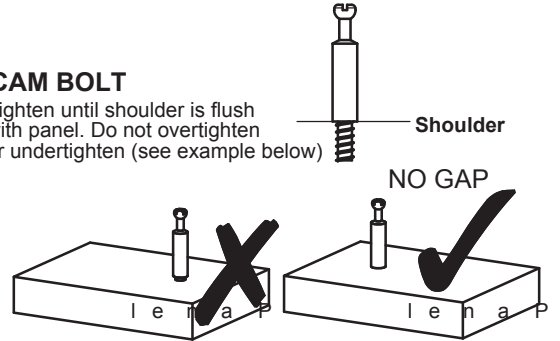
Assembly instructions

1

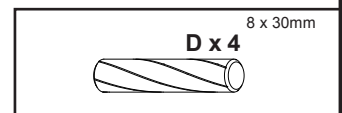
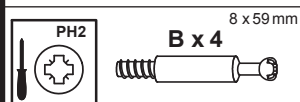
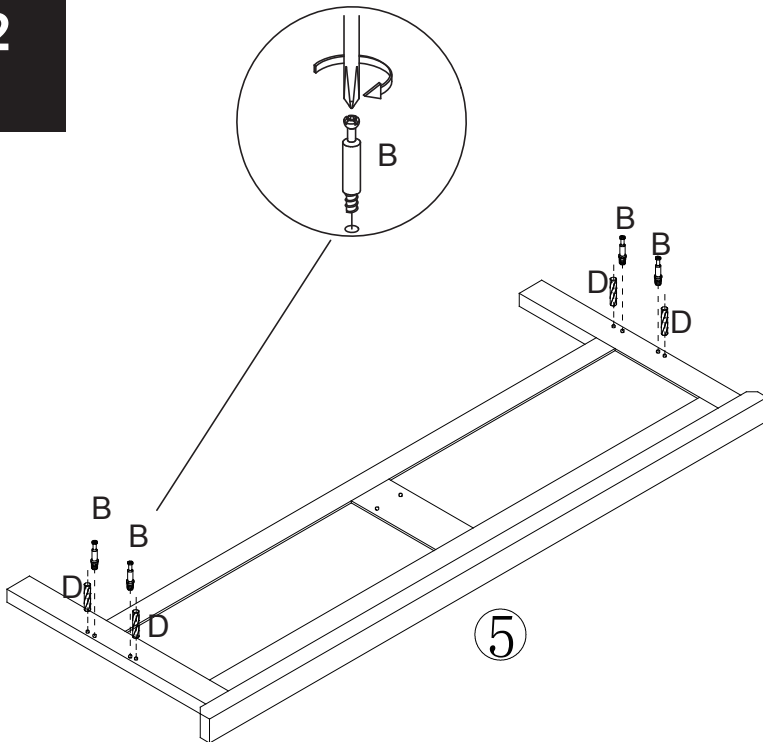


### CAM BOLT

Tighten until shoulder is flush with panel. Do not overtighten or undertighten (see example below)

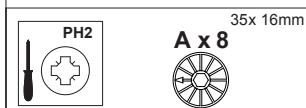
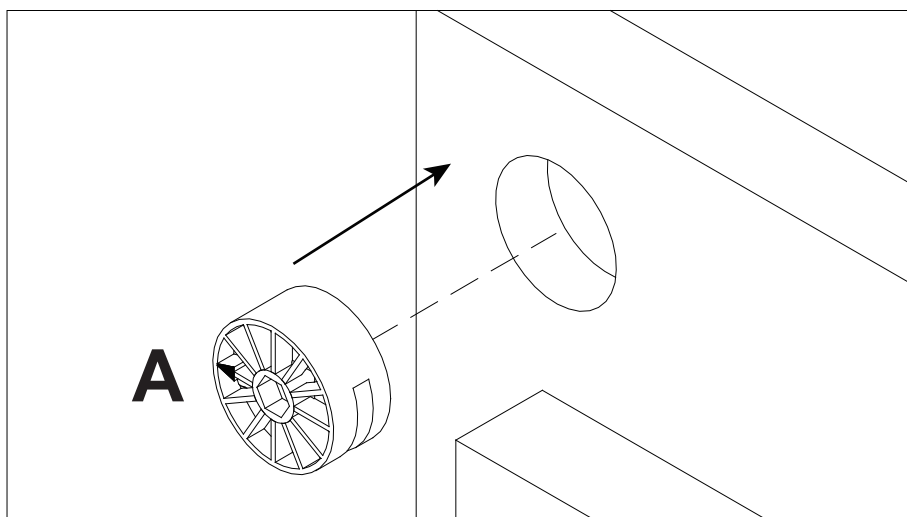
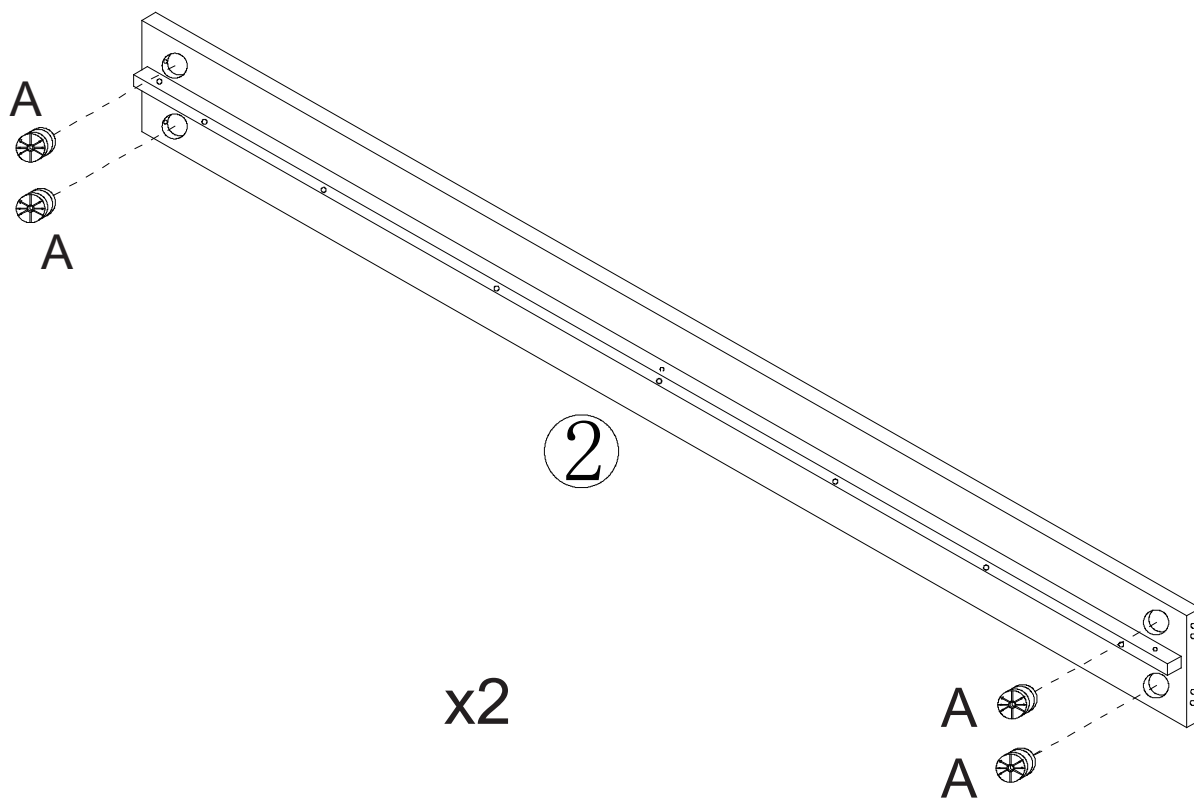


2





3



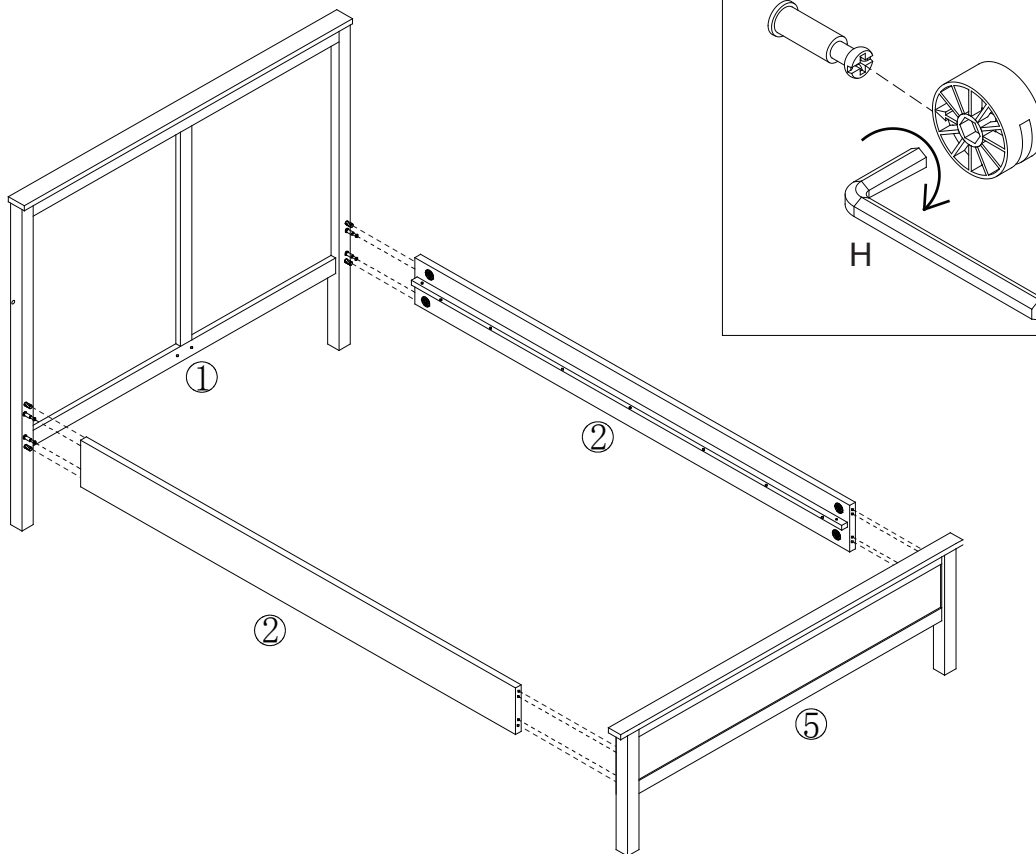
next

# SUTTON BED

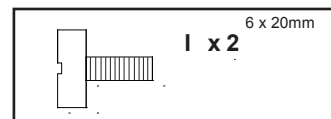
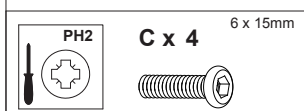
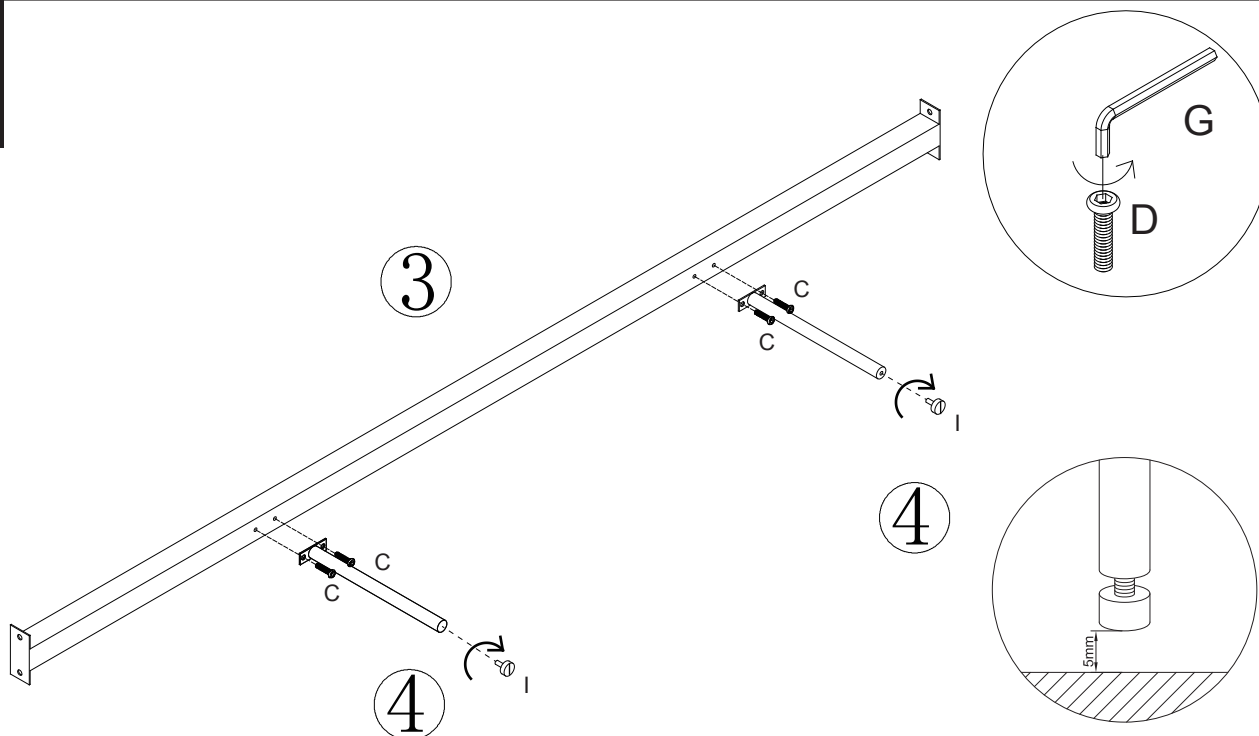
972977/250110

Assembly instructions

4



5

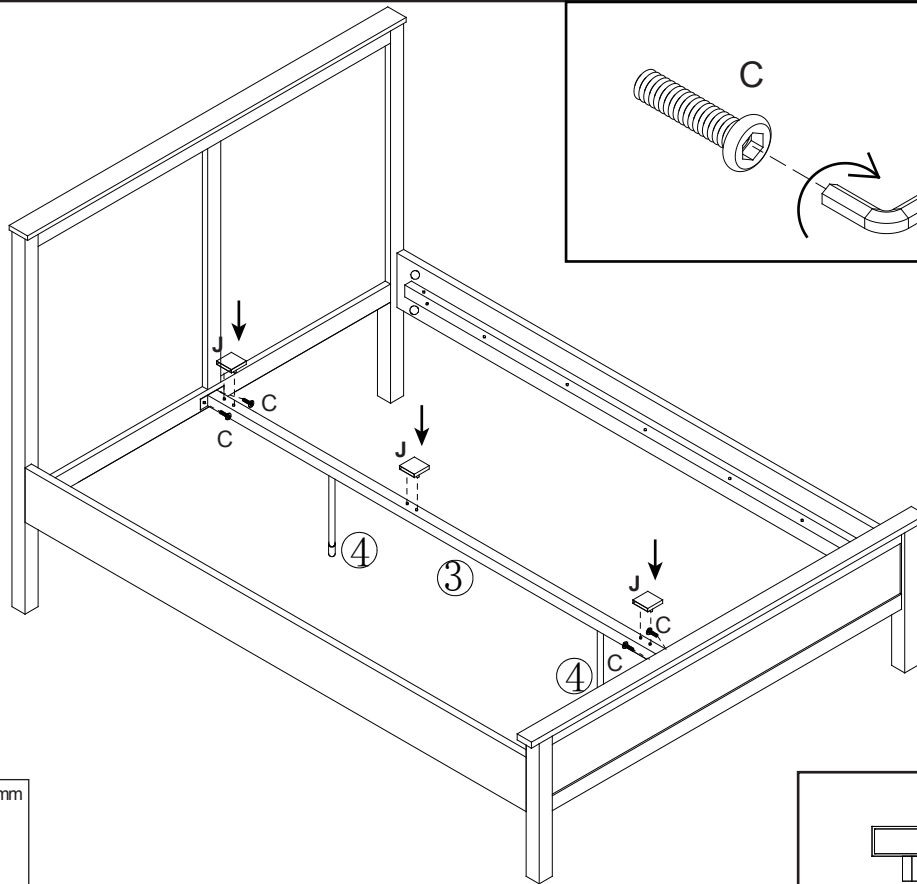


# SUTTON BED

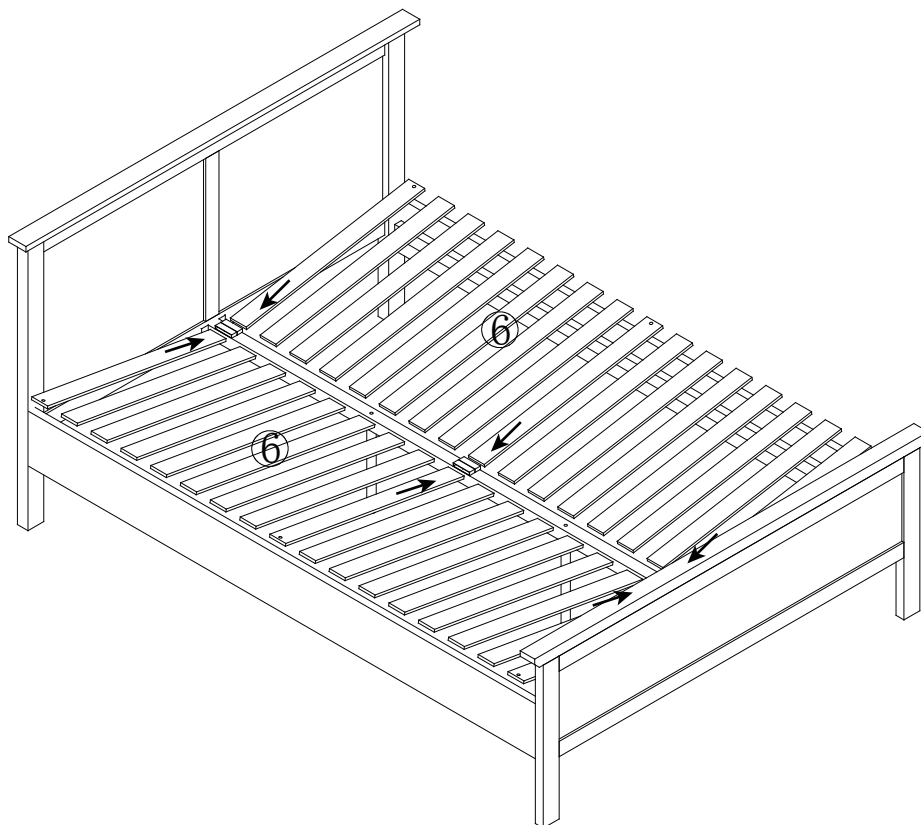
972977/250110

Assembly instructions

6



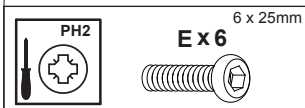
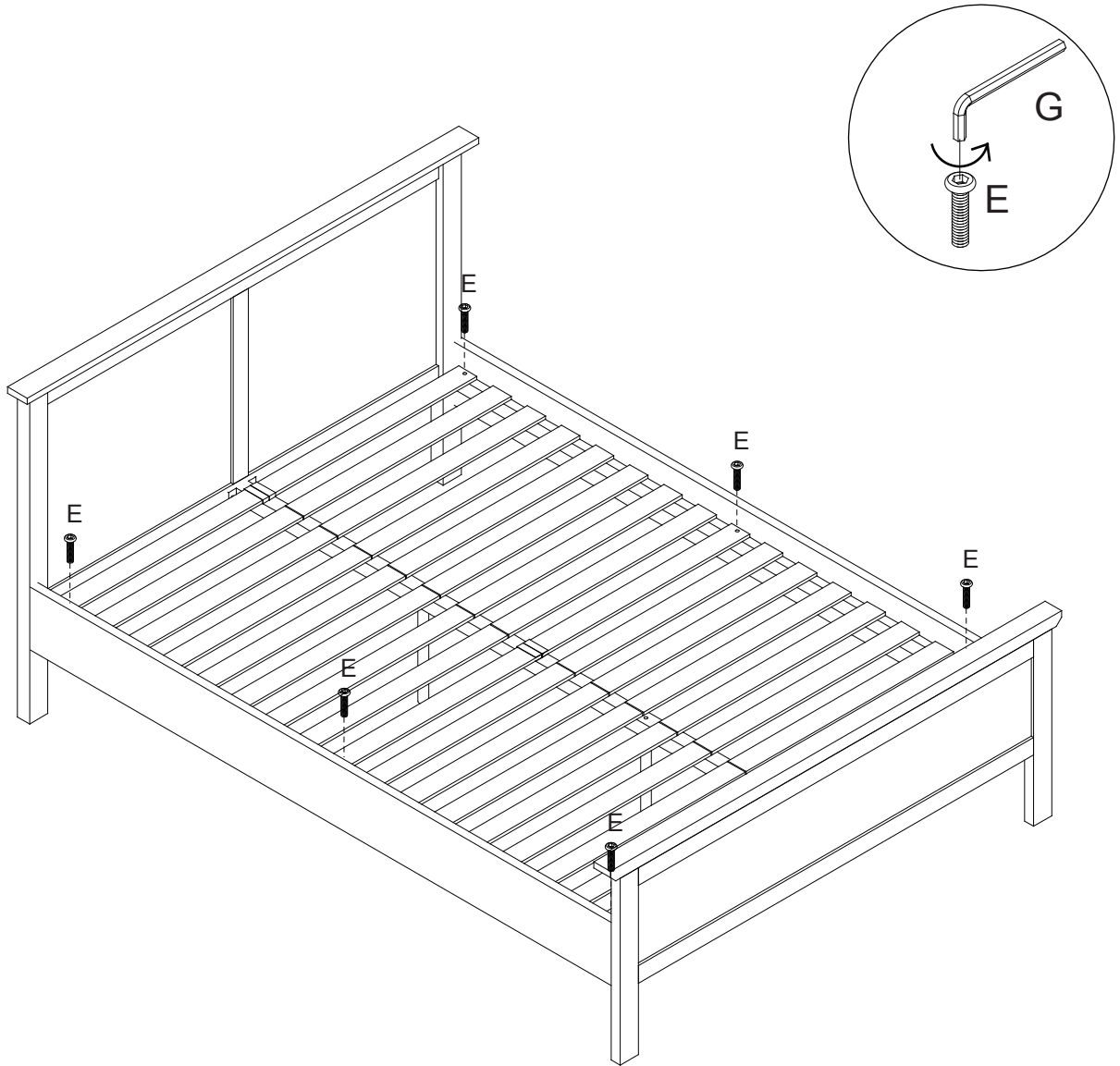
7



next

SUTTON BED  
972977/250110  
Assembly instructions

8



next

**SUTTON BED**  
972977/250110  
Assembly instructions

**Actual product size**

- Small double: W134 x L201.5 x H96cm
- Double: W149 x L201.5 x H96cm
- King: W164 x L211.5 x H96cm**
- Super king: W194 x L211.5 x H96cm

