

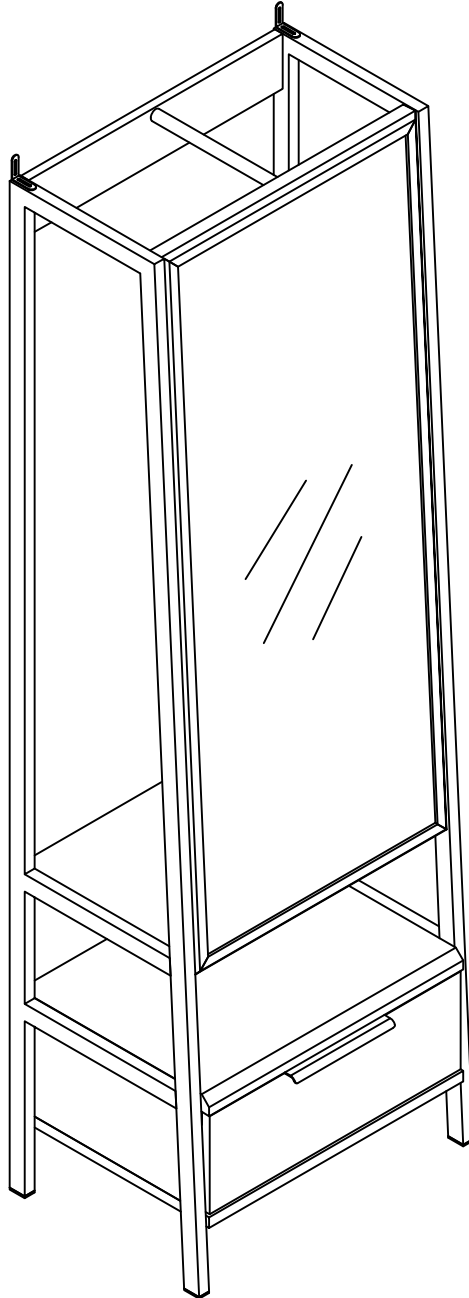
next

BRONX STORAGE MIRROR

261140

Assembly instructions

Actual product size
H175 x W55 x D38cm



Need Help ?

With: Assembly instruction
Missing or damaged parts

IMPORTANT - RETAIN FOR FUTURE REFERENCE

CALL: 0333 777 8999

BEFORE YOU START

Number of people required to assemble

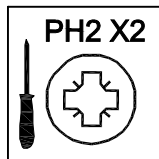
Two people are required to assemble this item



Time to assemble : 30 minutes



Tools required



not supplied

Do's

We suggest you spend a short time reading through this leaflet before you start.

When you are ready to start, make sure that you have the right tools and plenty of space.

Unwrap all packaging materials and place the components on a clean surface to protect it from damage, We recommend that the packaging is used to protect the surfaces during assembly.

Carefully check that you have all the parts before beginning assembly.

Due to the size of this product we recommend that it is assembled in the room intended for use.

Ensure the product is fully assembled as illustrated and all fixings fully tightened before use.

Wipe occasionally with a soft cloth slightly dampened with water. Then buff with a dry clean soft cloth.

Wood will mellow and change colour over time, we recommend that ornaments and items placed on the surface are moved regularly for the first few months to prevent uneven mellowing.

Don'ts

Do not drag or pull your furniture.

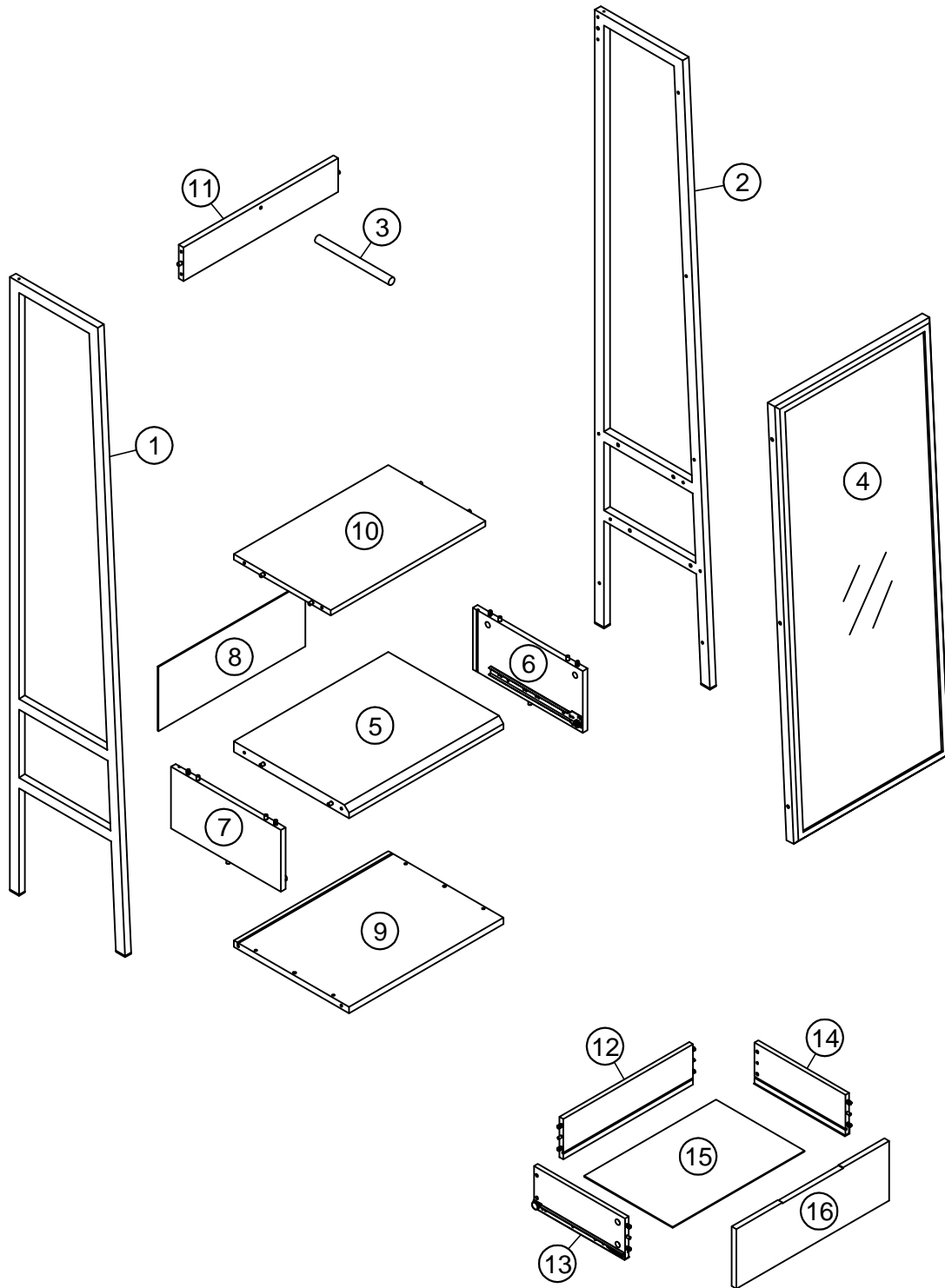
Do not rub or scrub the surface when cleaning.

Do not use silicone based furniture polish. Silicone in furniture polishes can break down the finish.

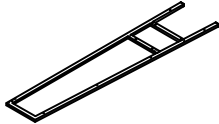
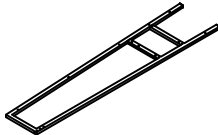


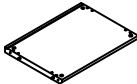

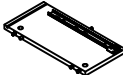


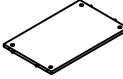

Never allow any kind of liquid to remain on your furniture. Absorption can cause wood to warp or finishes to de-laminate.

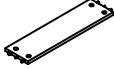


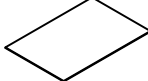
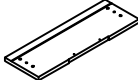
Do not place hot items (e.g. hot drinks) directly on to the wood surface. Please make sure you use a placemat or coaster.

GETTING TO KNOW YOUR PRODUCT



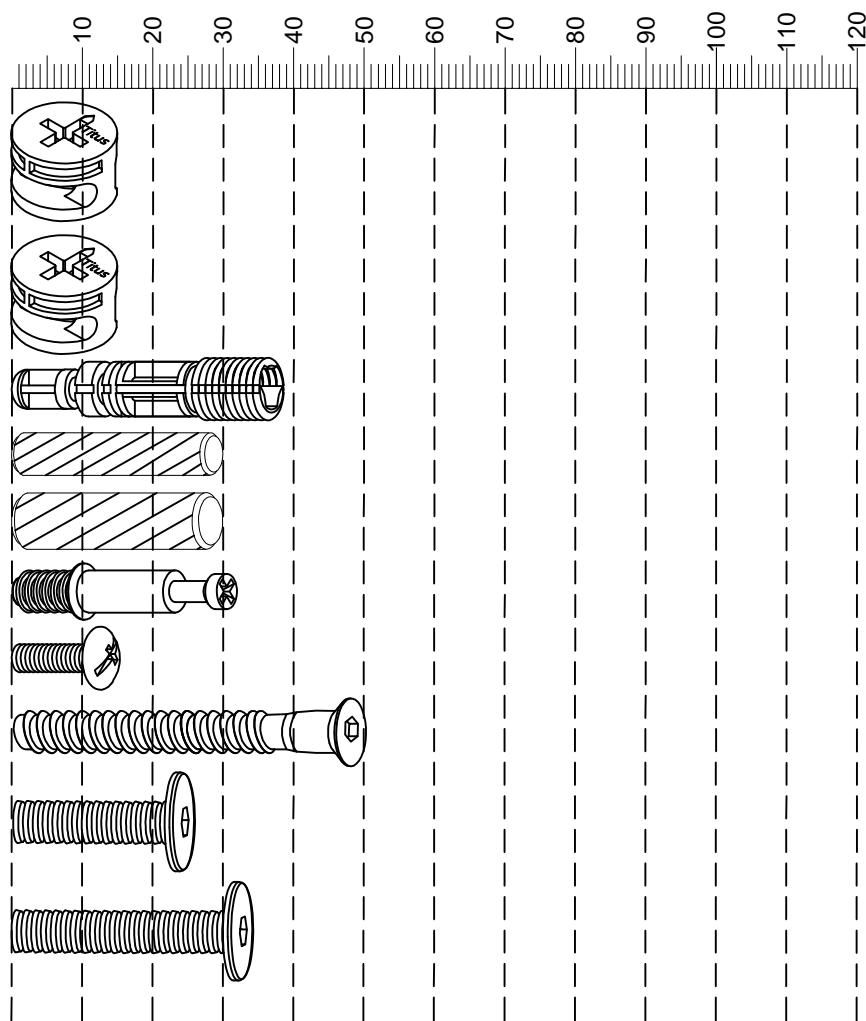
Components supplied. Please use this guide if you require replacement parts.

Ref	Dimensions	Visual	Qty	Ctn
1	38x175cm		1	1
2	38x175cm		1	1
3	1.5x25cm		1	1
4	51x122cm		1	1
5	38x51cm		1	1
6	17.5x36.5cm		1	1
7	17.5x36.5cm		1	1
8	18.5x48.5cm		1	1
9	38x51cm		1	1
10	32x51cm		1	1
11	9.5x51cm		1	1

Ref	Dimensions	Visual	Qty	Ctn
12	11.5x43cm		1	1
13	11.5x30cm		1	1
14	11.5x30cm		1	1
15	29x43.5cm		1	1
16	17x50.5cm		1	1

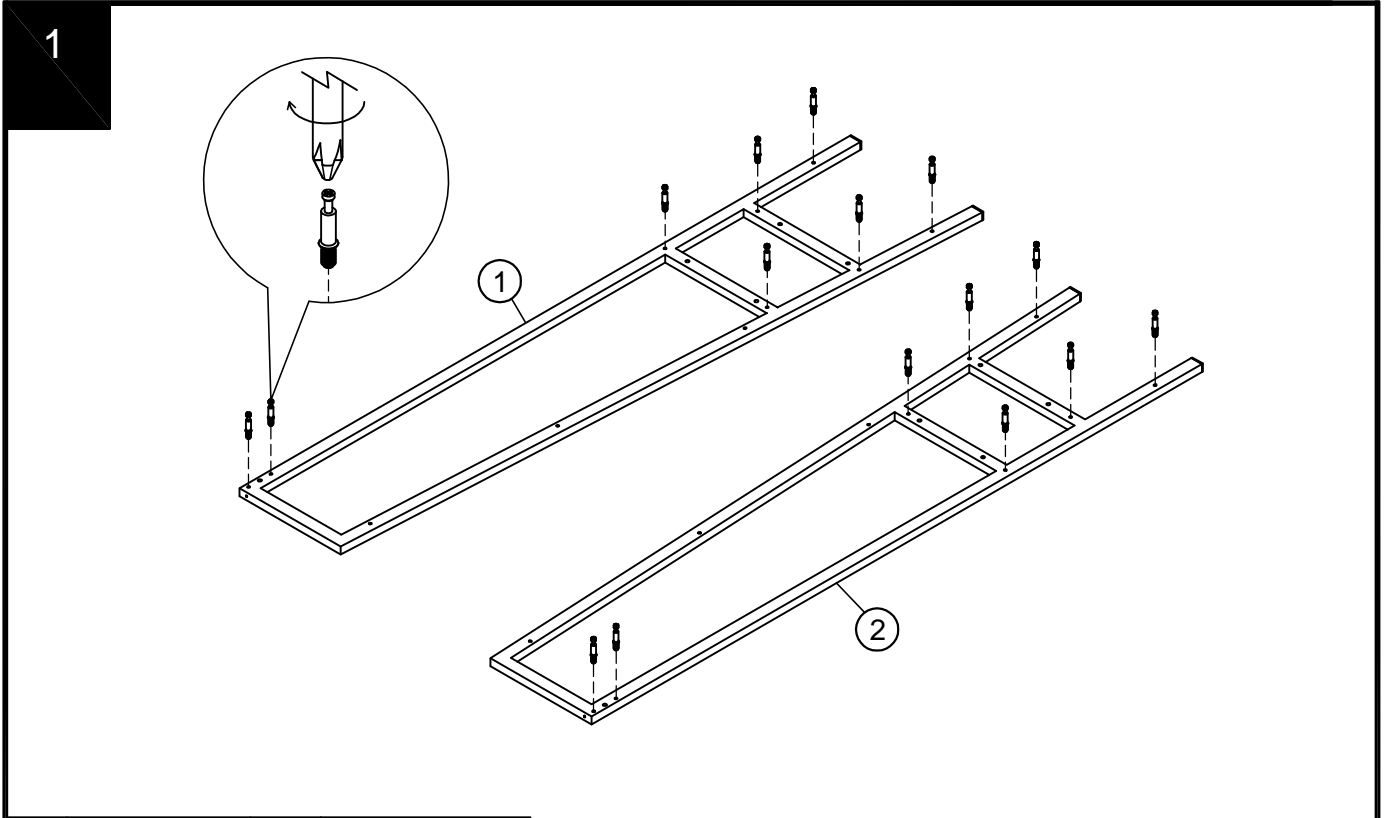
Fixtures and fittings supplied (actual size)

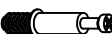

Ref	Dimensions	Qty	Spare Qty
B2	Ø15 x 10mm	N/A	1
B3	Ø15 x 12mm	16	2
B8	Ø8 x 38mm	N/A	2
D3	Ø6 x 30mm	N/A	1
D6	Ø8 x 30mm	N/A	2
B12	Ø7.5 x 33mm	16	2
Z2	Ø4 x 10mm	2	1
Y8	Ø6 x 50mm	4	1
V44	Ø6 x 22mm	1	1
V53	Ø6 x 30mm	6	1

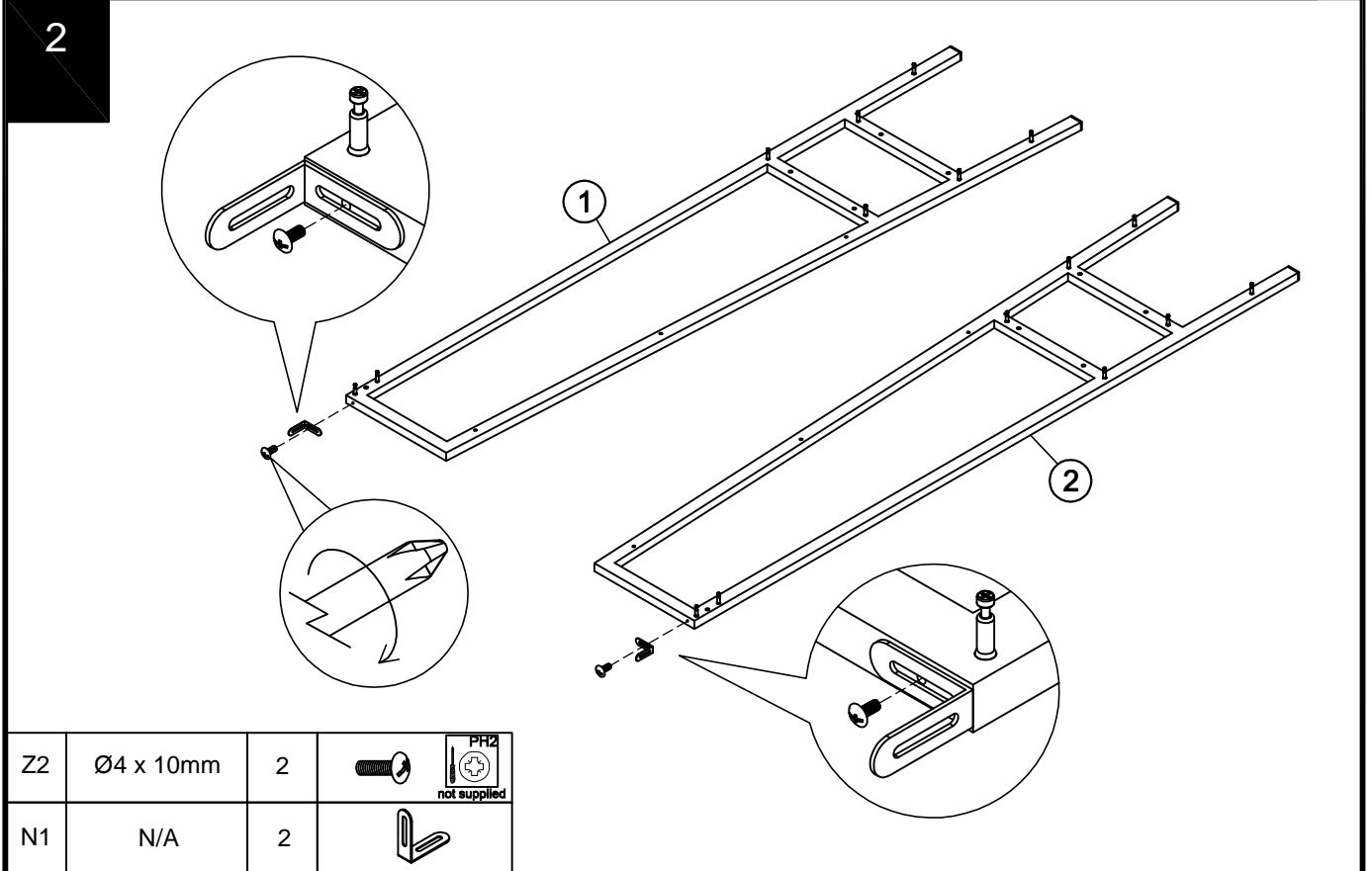





Fixtures and fittings supplied (not to scale)

Ref	Dimensions	Qty	Spare Qty	Visual
N1	N/A	2	N/A	
O1	Ø25mm	4	1	
T38	N/A	3	1	
T1	N/A	2	N/A	
E39	N/A	1	N/A	



B12	Ø7.5 x 33mm	16		 not supplied
-----	-------------	----	---	---

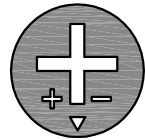


Z2	Ø4 x 10mm	2		 not supplied
N1	N/A	2		

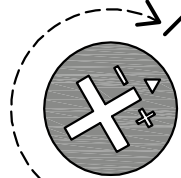
3

DON'T STOP UNTIL THE 2 O'CLOCK LOCK

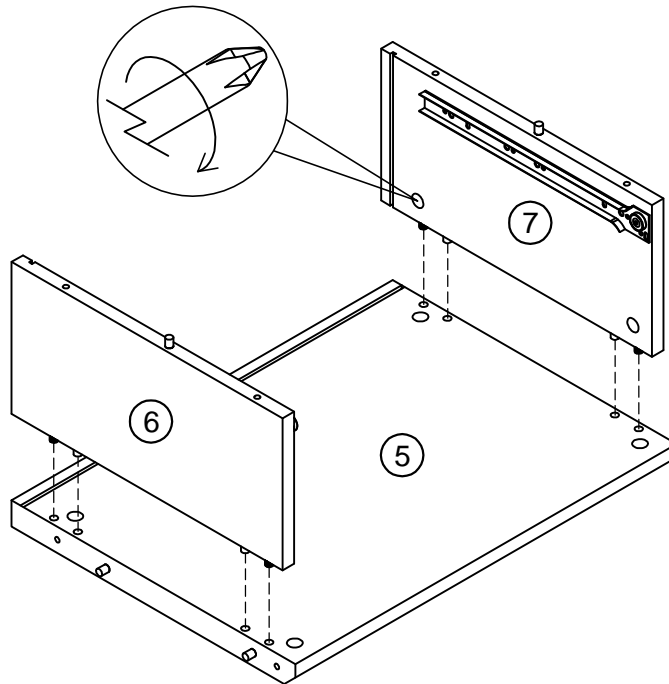
TURN THE CAM IN A CLOCKWISE DIRECTION UNTIL THE ARROW POINTS IN THE POSITIONS SHOWN IN THE DIAGRAMS BELOW



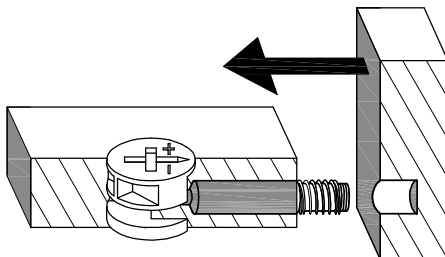
START



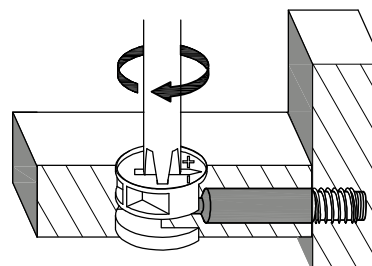
CORRECT LOCK



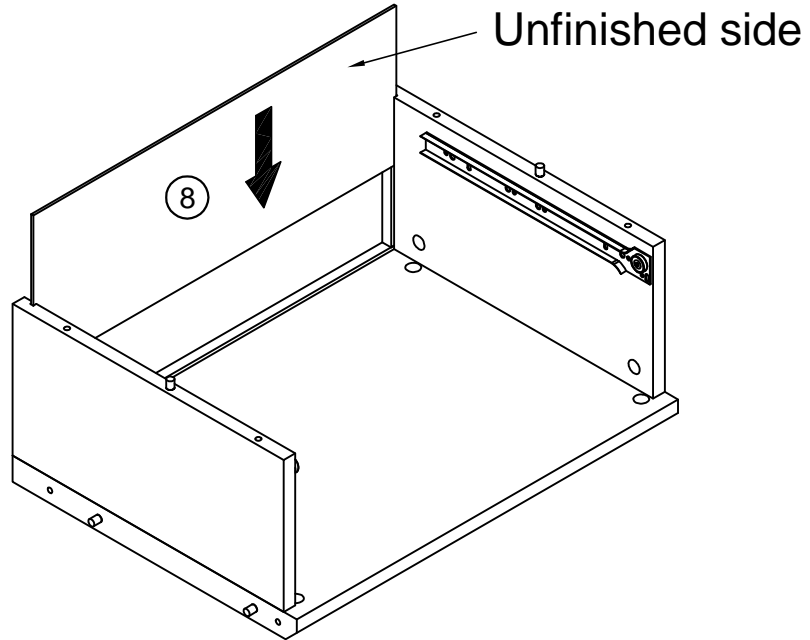
PUSH THE TWO PANELS TOGETHER ALLOWING THE DOWEL TO ALIGN WITH THE HOLE



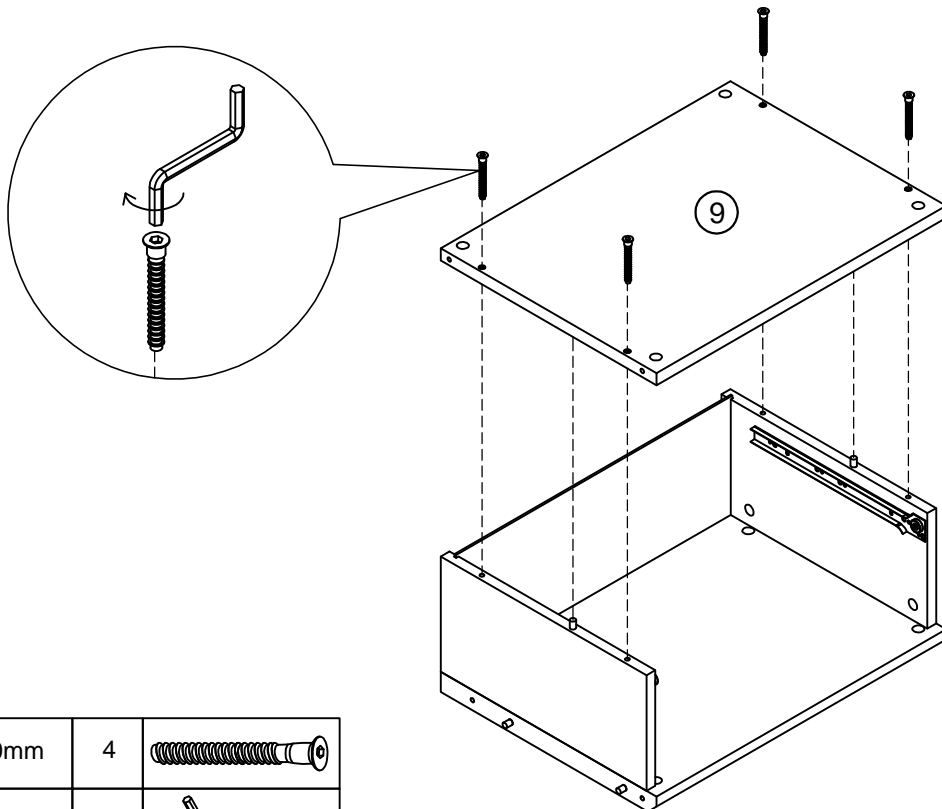
TURN THE CAM IN A CLOCKWISE DIRECTION





4

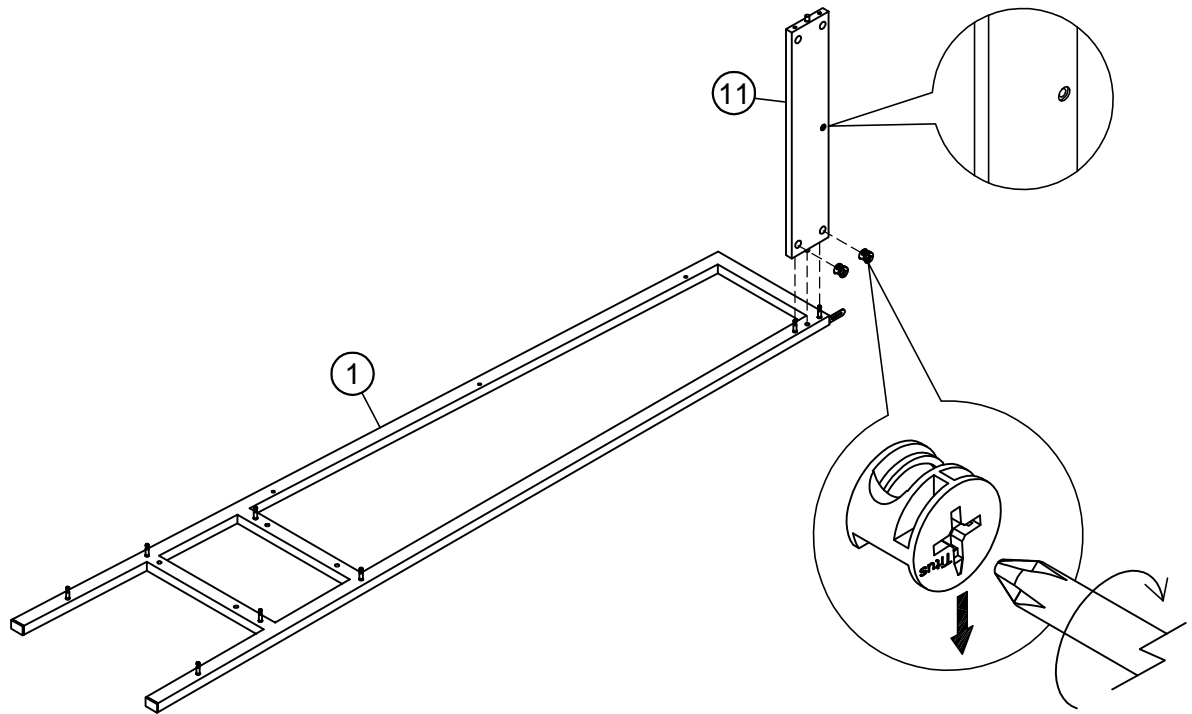




5



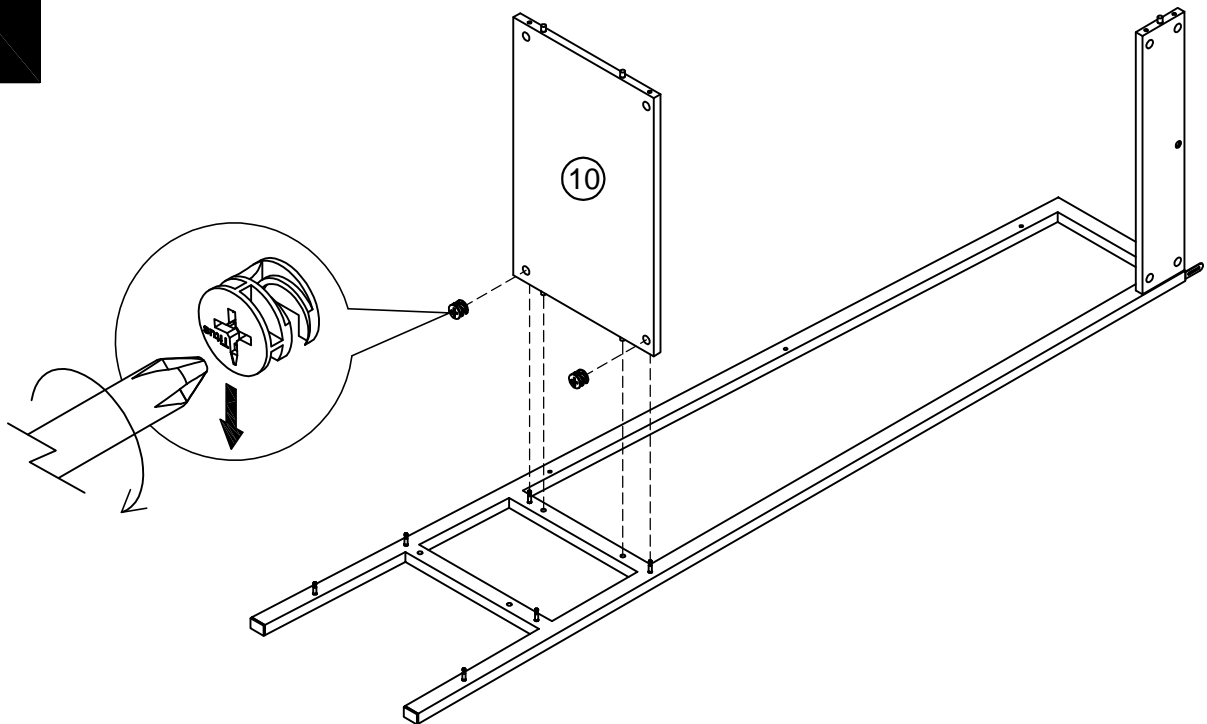
Y8	Ø6 x 50mm	4	
T1	N/A	2	



6

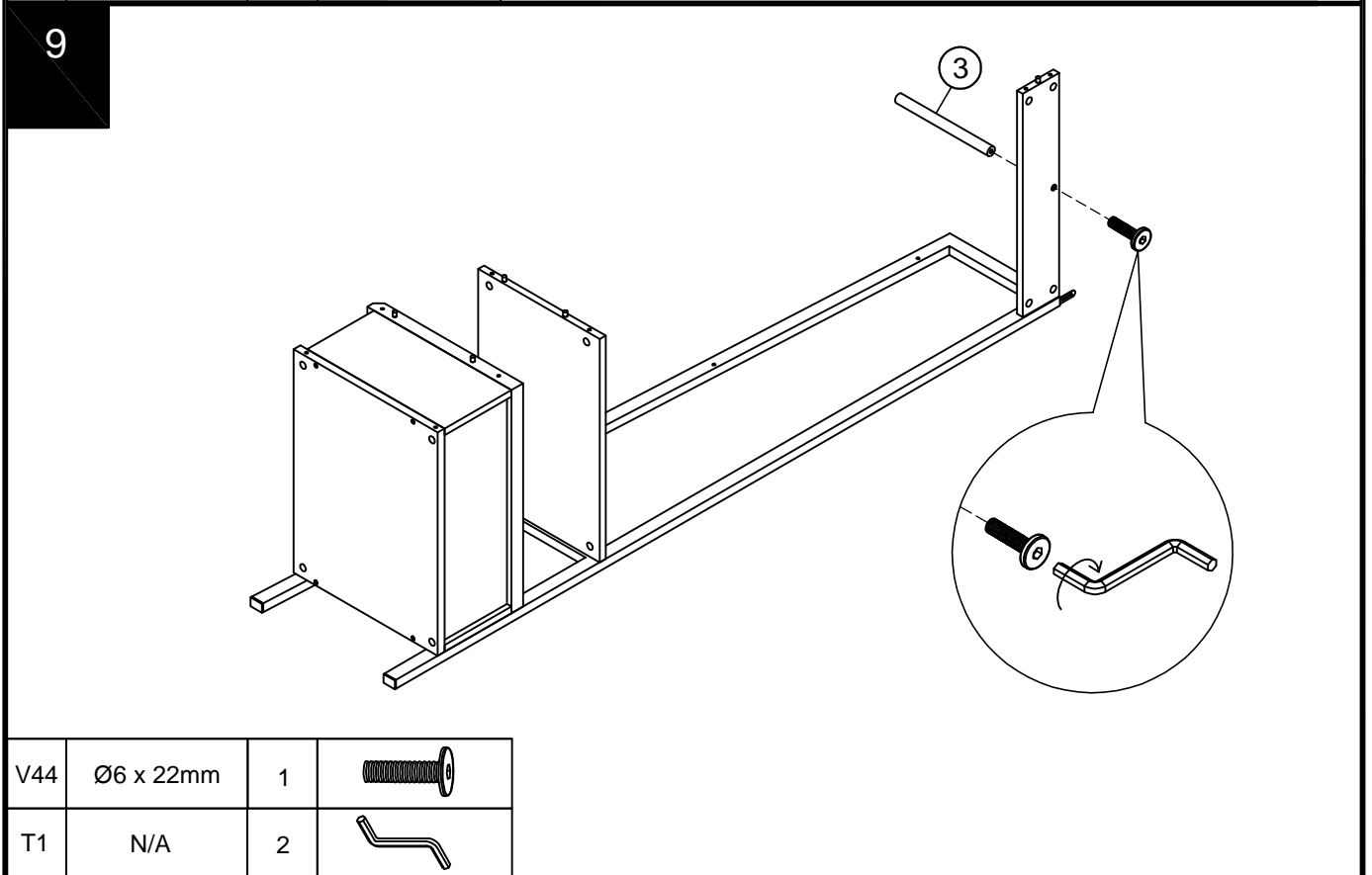
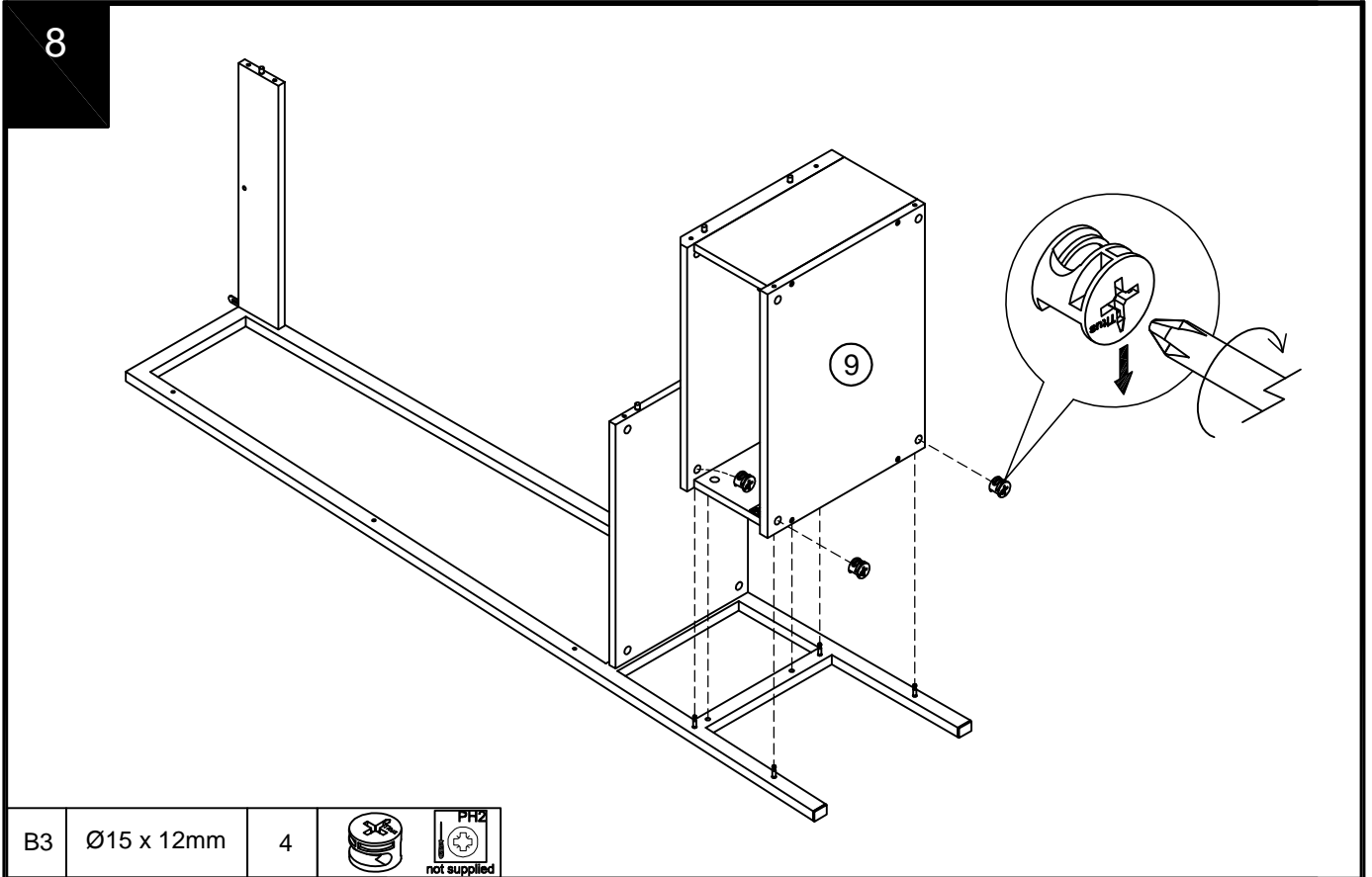


B3	Ø15 x 12mm	2		 not supplied
----	------------	---	---	---

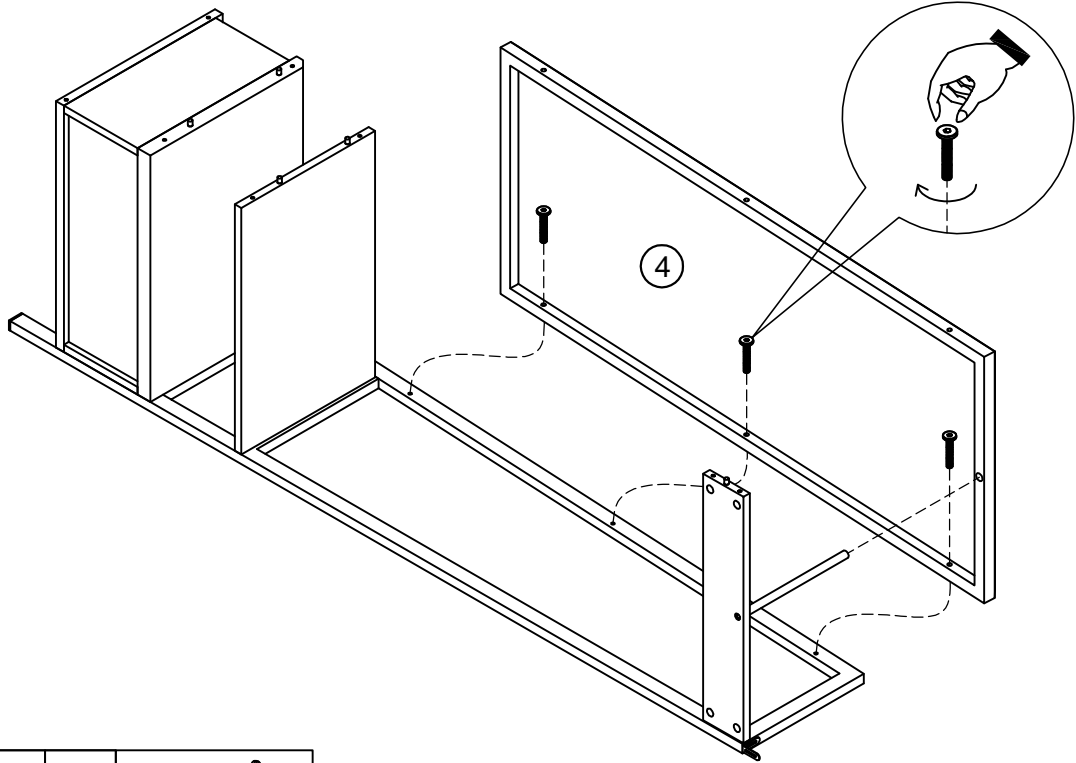
7

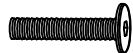


B3	Ø15 x 12mm	2		 not supplied
----	------------	---	---	---

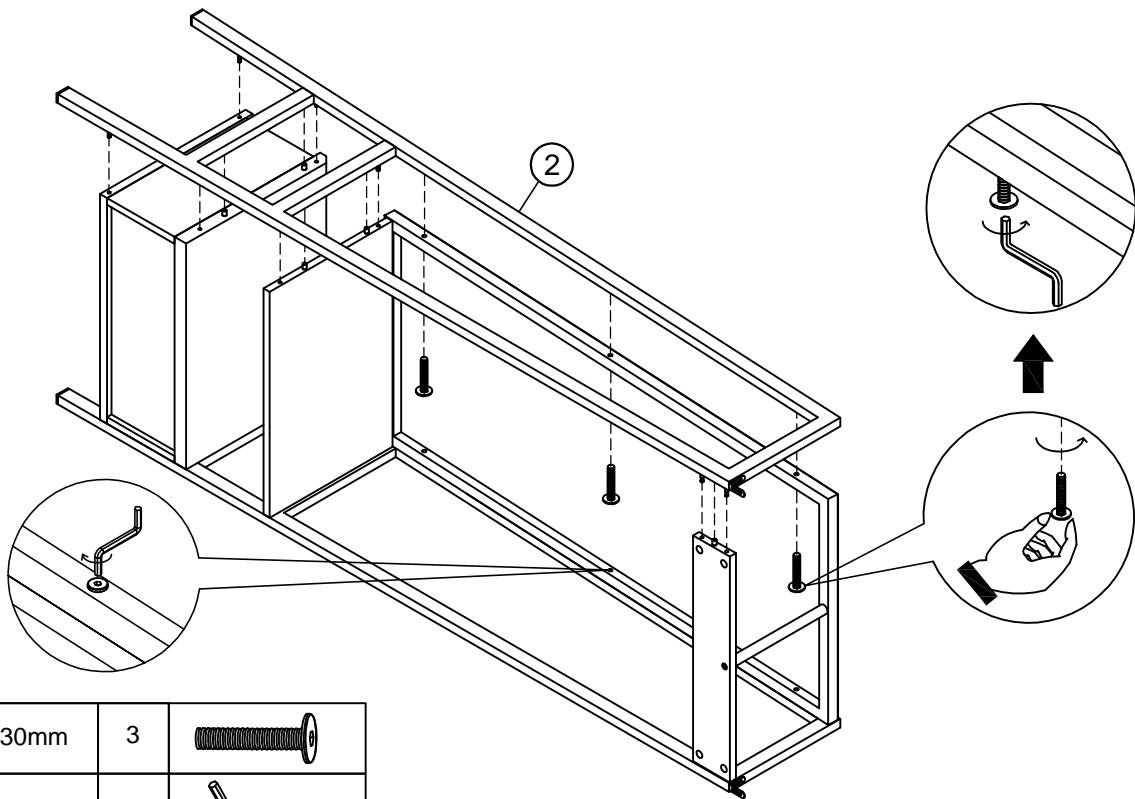




10



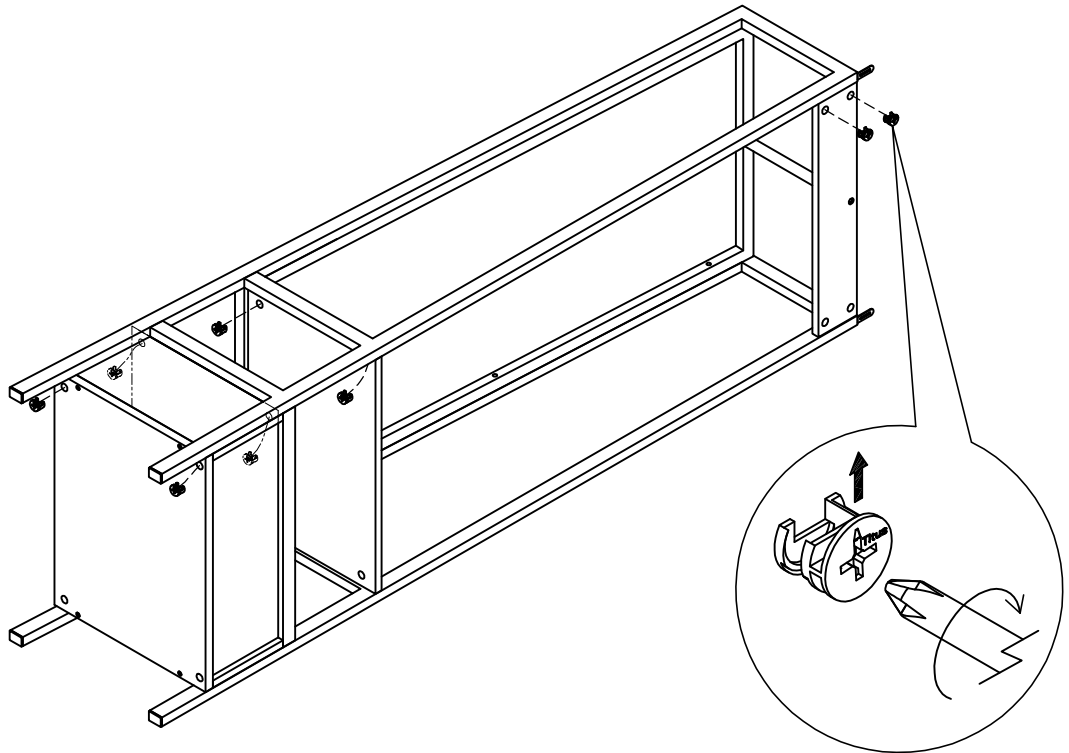
V53	Ø6 x 30mm	3	
-----	-----------	---	---

11



V53	Ø6 x 30mm	3	
T1	N/A	2	

12



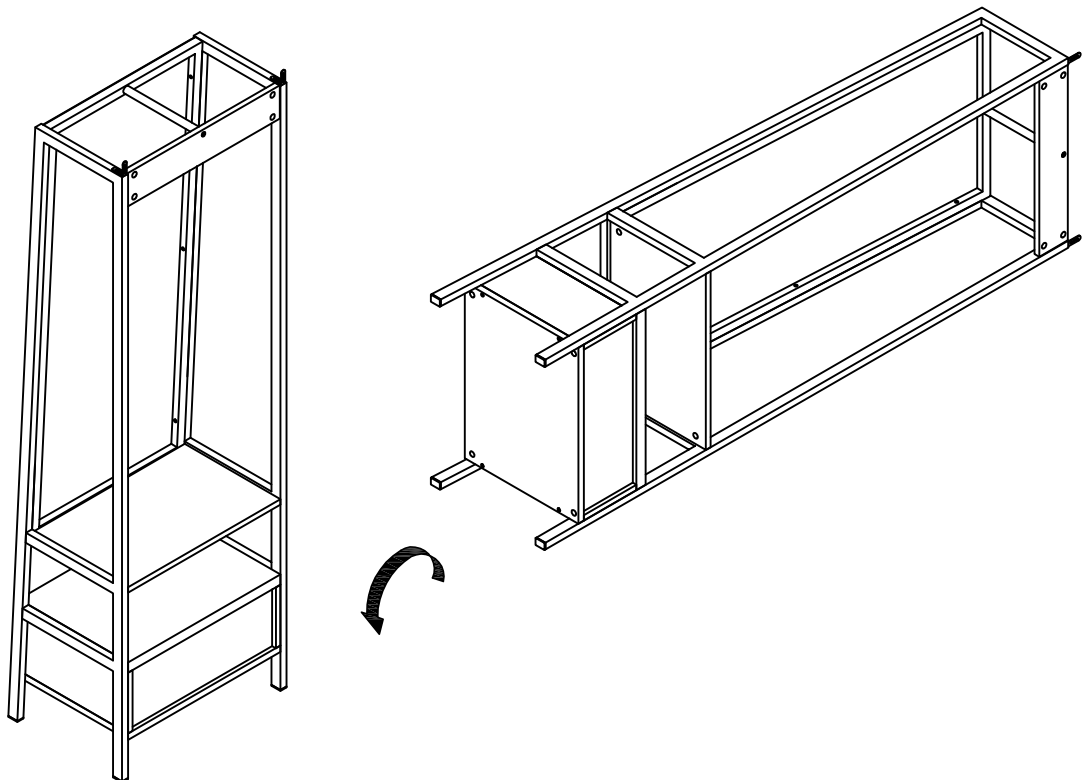
B3 Ø15 x 12mm

8

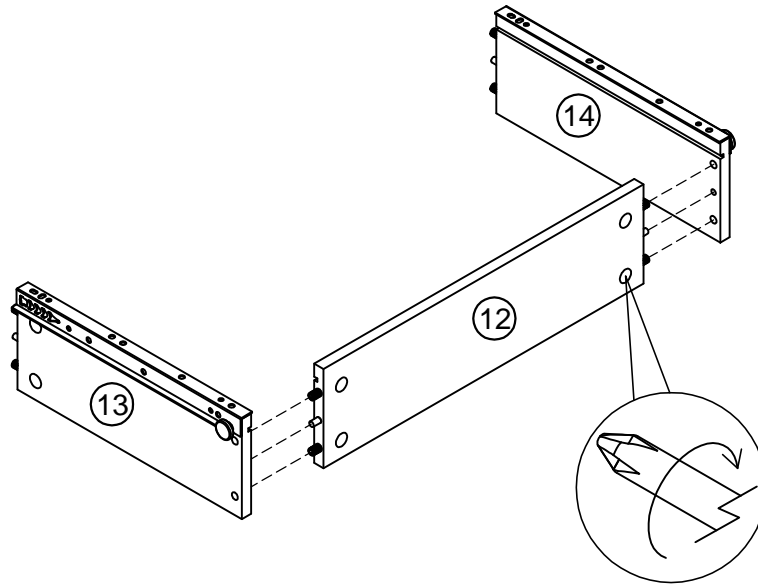


not supplied

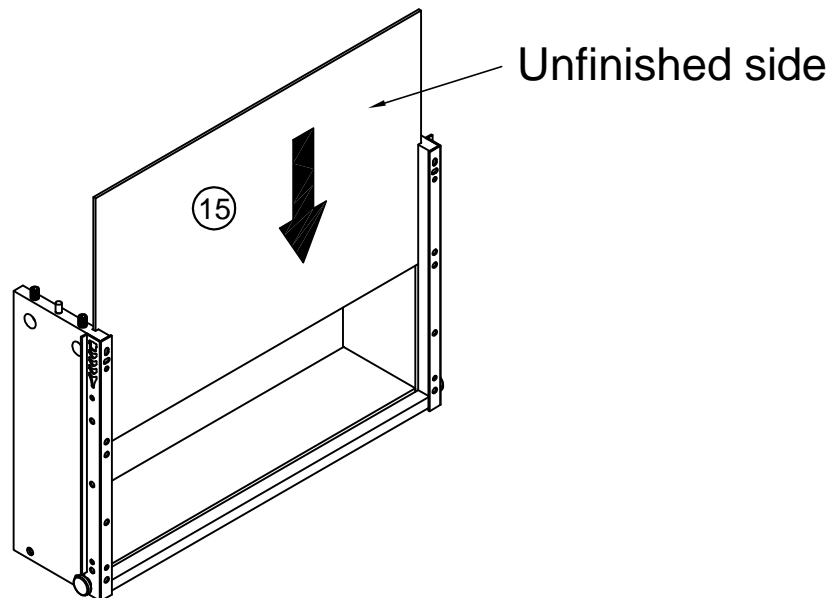
13



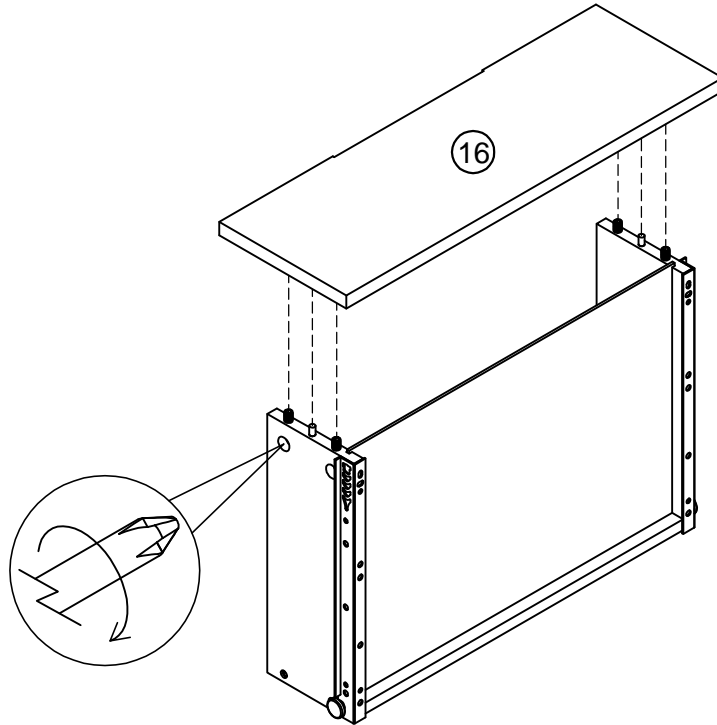
14



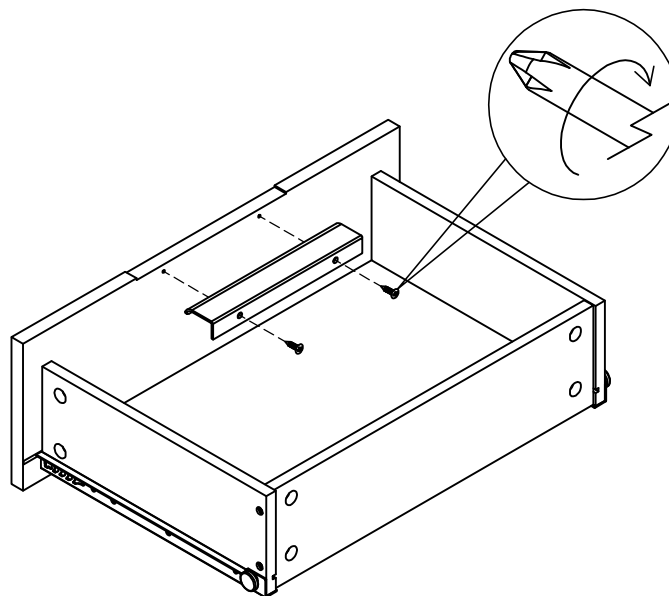
15

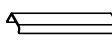




16

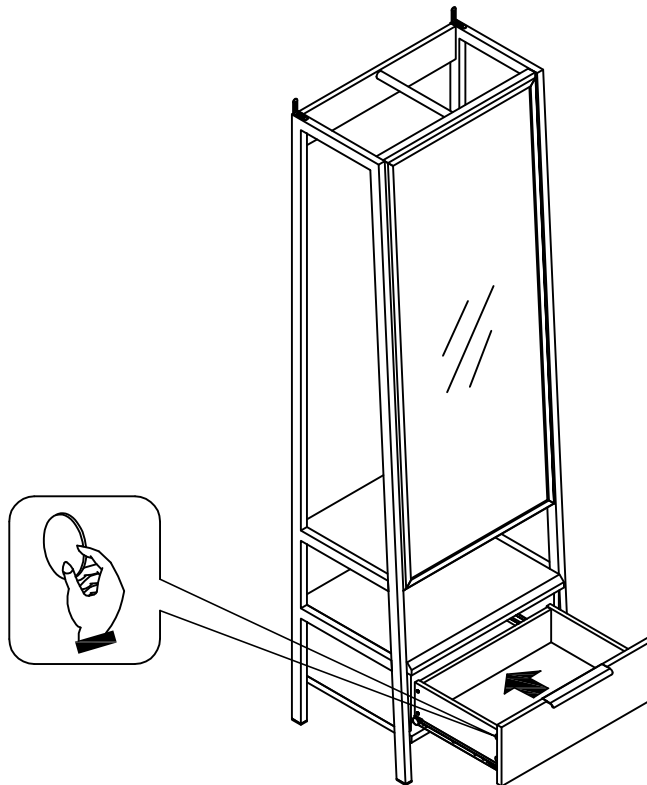


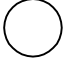
17



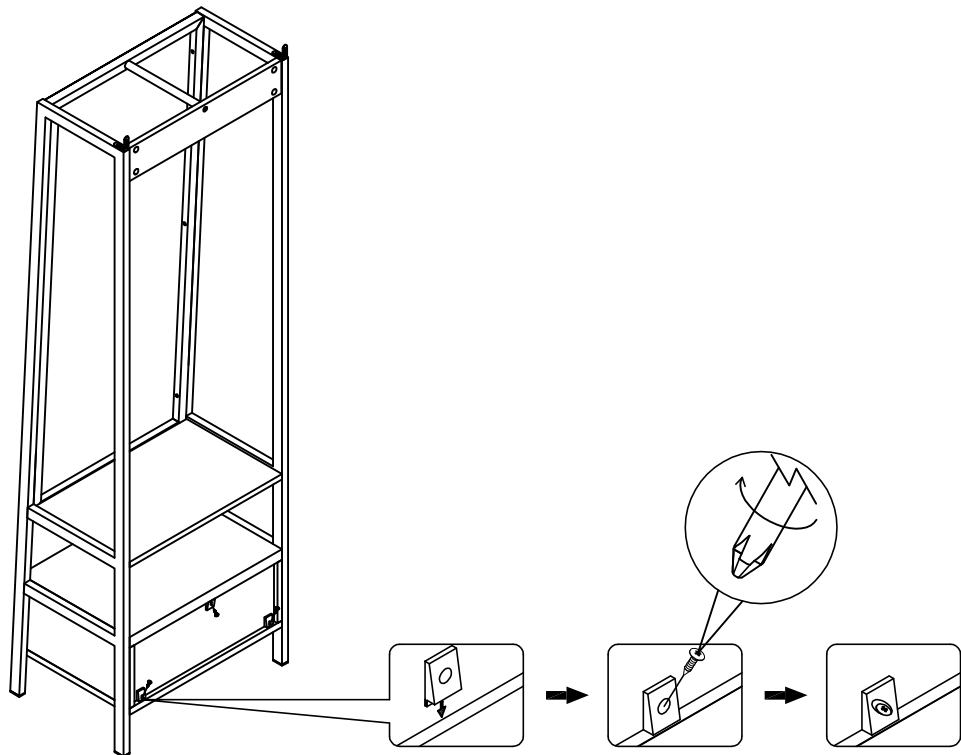
E39	N/A	1				PH2 not supplied
-----	-----	---	---	---	---	---------------------




18



O1	Ø25mm	4	
----	-------	---	---

19



T38	N/A	3	  
-----	-----	---	---

not supplied

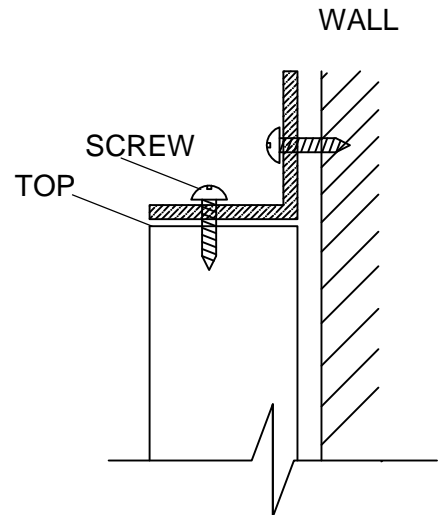
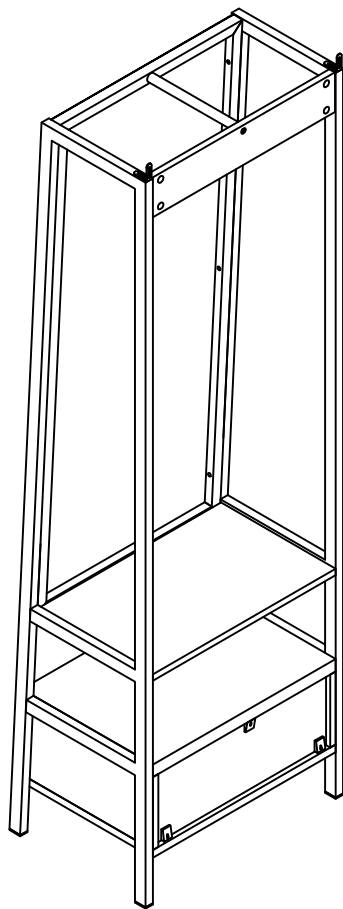
20

We recommend the use of the wall attachment bracket/strap provided for safety reasons. Move unit into desired position. Secure the 2X"L" metal brackets to the wall with an appropriate screw and wall plug for your wall type (not provided).

Warning: Always ensure intended wall area to be drilled is free from hidden electrical wires, water and gas pipes.

NB: Wall fixings are not included-Please source suitable fixing for your wall type.

If in doubt please consult a qualified trades person.

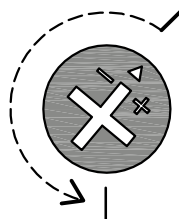


WHEN LOOSENING THE CAM

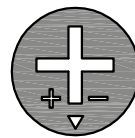
TURN THE CAM IN A COUNTERCLOCKWISE DIRECTION UNTIL THE ARROW POINTS IN THE POSITION SHOWN IN THE DIAGRAMS BELOW



MAXIMUM LOCK



TURN TO UNLOCK



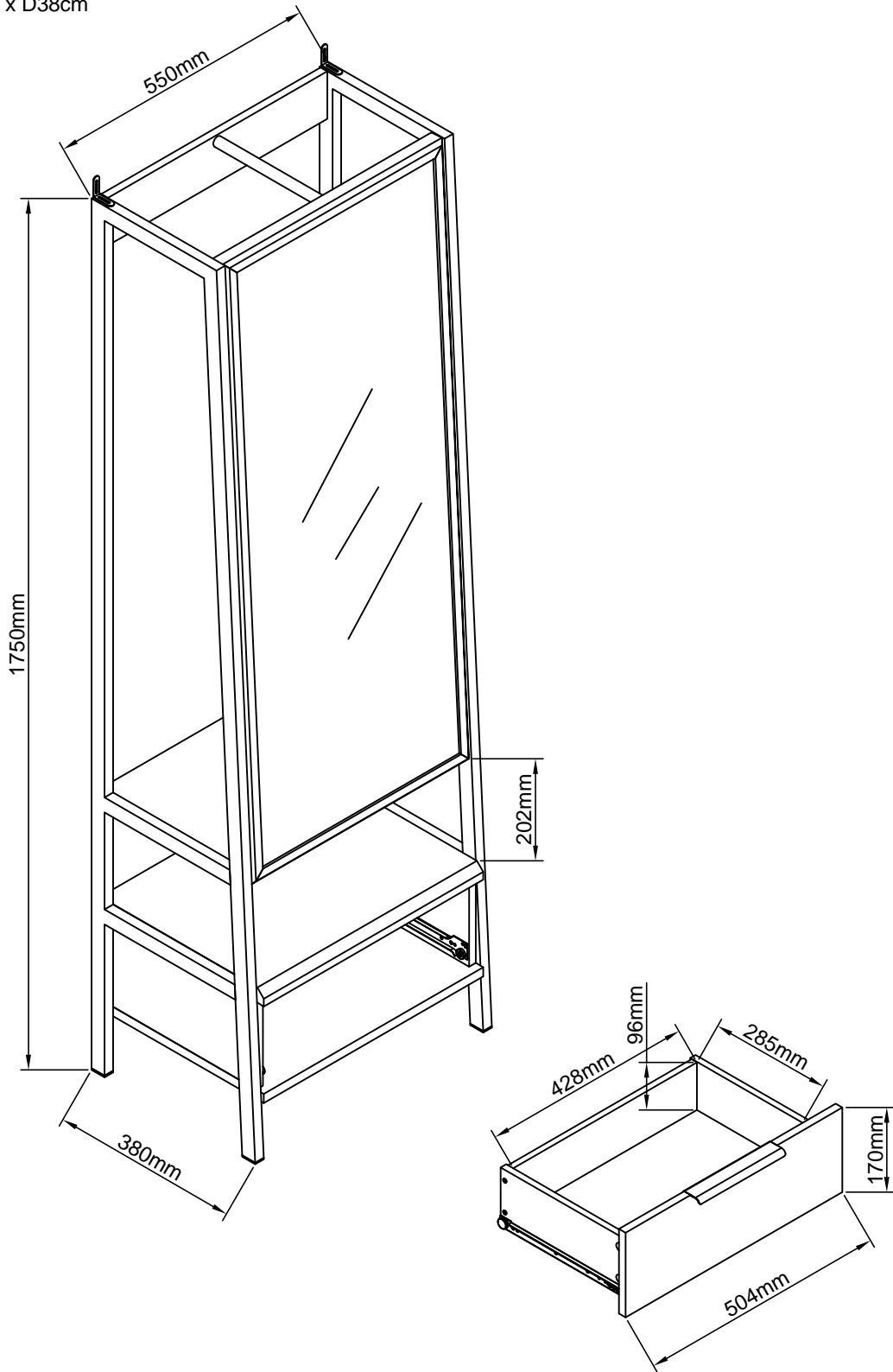
UNLOCKED

next

BRONX STORAGE MIRROR

261140

Actual product size
H175 x W55 x D38cm



Warnings

We suggest you retain these instructions for future reference.

Keep fittings out of children's reach and keep children well away from construction area.

Please periodically check all fittings and re-tighten as necessary.

Please do not sit or stand on your furniture.

Avoid exposing the furniture to excessive heat or direct sunlight as this can cause deterioration of the colour.

Unwrap all packaging materials and place the components on top of the carton box or on a clean floor to protect it from damage

Name and Address: NEXT RETAIL LTD. LE19 4AT
Identification and model Number: 261140 BRONX STORAGE MIRROR
Date of Manufacture:
Contract number:
Nominal thickness of Glass: 4mm, Annealed glass
Country of Origin: China

If a glass component is chipped or broken replace with glass of the type described on this label. Consult with the retailer with regard to obtaining a manufacturing specification and shape for replacement glass quoting the model number, batch number and date of manufacture.

Missing parts

If you are missing any fixtures and fittings for your product. Please contact our customer service team on 0333 777 8999 and they will be happy to arrange for a replacement to be sent to you free of charge.

Home service technicians

If you have a fault with your product, please contact our customer service team on 0333 777 8999. If you have had the product for 28 days or less you may be offered a replacement, refund or for a fully trained home service technician to visit your home to assess the fault and repair the product where possible. If you have had the product for more than 28 days we will send an independent home service technician to review and repair the product where possible and recommend further action.

You can write to us at

Home Customer Services
Next Retail Ltd.
Desford Road,
Leicester,
LE19 4AT

To view our full furniture range please visit www.next.co.uk