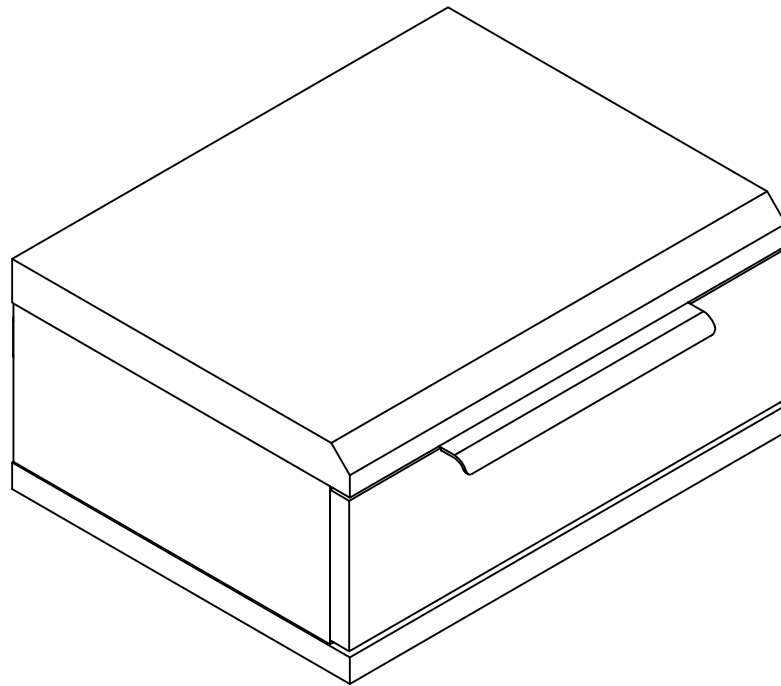


next

BRONX WALL MOUNTED BEDSIDE
269588
Assembly instructions

Actual product size

H16 x W35 x D27cm



Need Help ?

With: Assembly instruction

Missing or damaged parts

IMPORTANT - RETAIN FOR FUTURE REFERENCE

CALL: 0333 777 8999

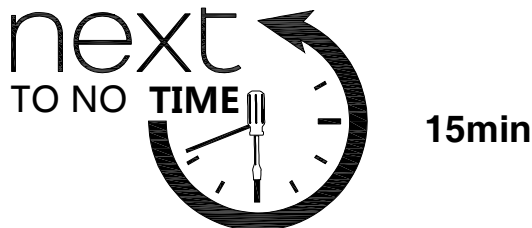
BEFORE YOU START

Number of people required to assemble

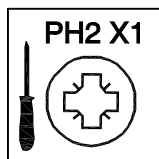
One people are required to assemble this item



Time to assemble



Tools required



not supplied

Do's

We suggest you spend a short time reading through this leaflet before you start.

When you are ready to start, make sure that you have the right tools and plenty of space.

Unwrap all packaging materials and place the components on a clean surface to protect it from damage, We recommend that the packaging is used to protect the surfaces during assembly.

Carefully check that you have all the parts before beginning assembly.

Due to the size of this product we recoment that it is assembled in the room intended for use.

Ensure the product is fully assembled as illustrated and all fixings fully tightened before use.

Wipe occasionally with a soft cloth slightly dampened with water. Then buff with a dry clean soft cloth.

Wood will mellow and change colour over time, we recommend that ornaments and items placed on the surface are moved regularly for the first few months to prevent uneven mellowing.

Don'ts

Do not drag or pull your furniture.

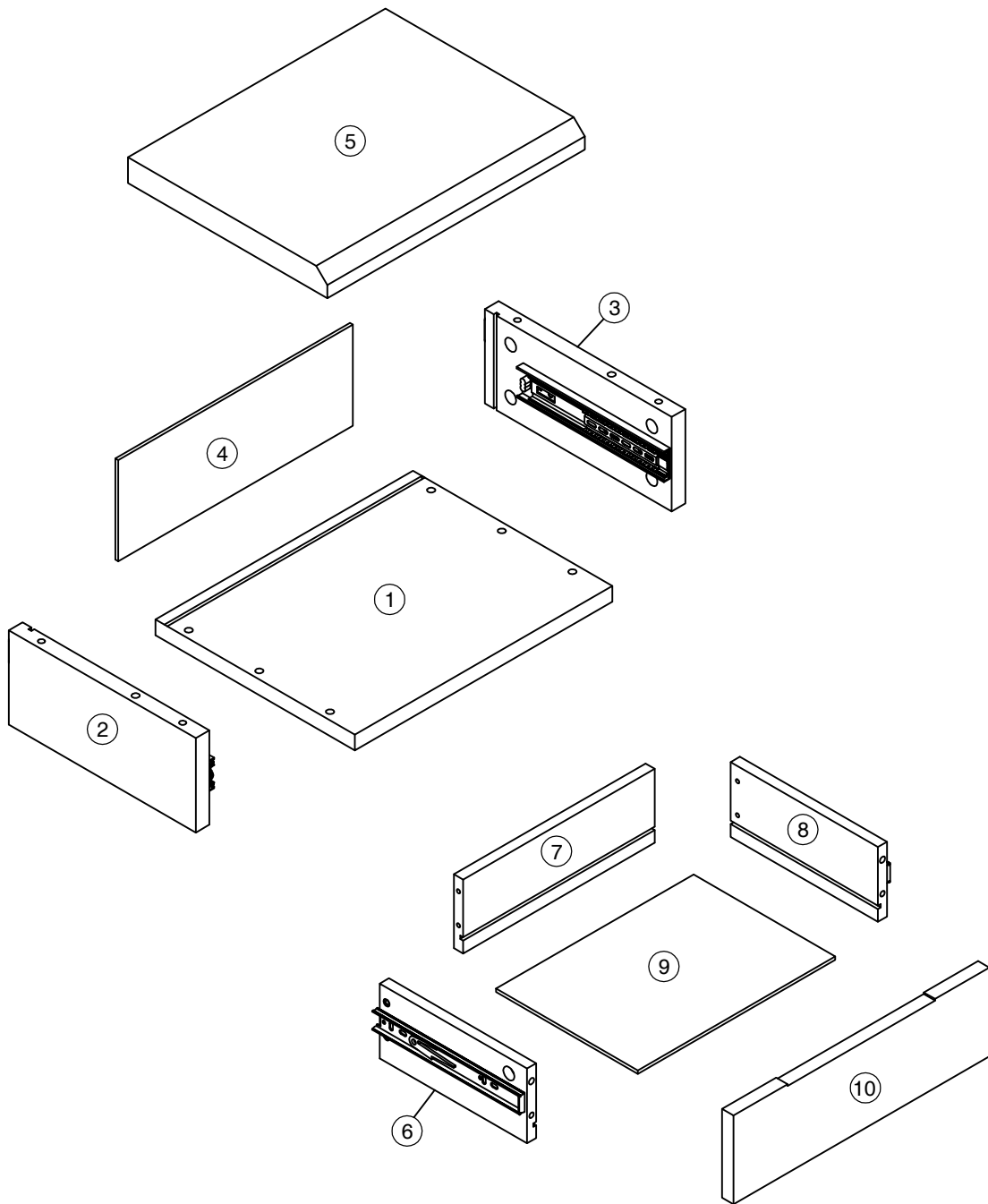
Do not rub or scrub the surface when cleaning.

Do not use silicone based furniture polish. Silicone in furniture polishes can break down the finish.

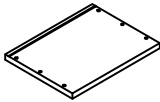
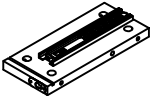
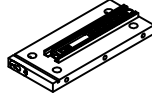
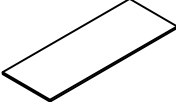
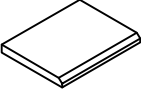
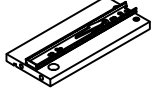
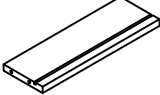
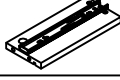
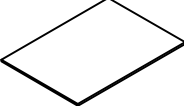
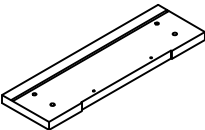
Never allow any kind of liquid to remain on your furniture.
Absorption can cause wood to warp or finishes to de-laminate.

Do not place hot items (e.g. hot drinks) directly on to the wood surface. Please make sure you use a placemat or coaster.

GETTING TO KNOW YOUR PRODUCT

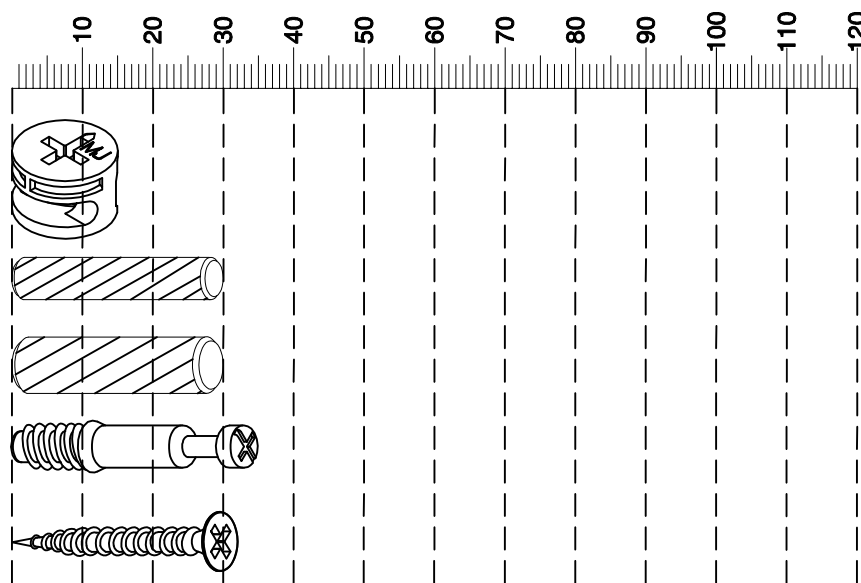


Components supplied. Please use this guide if you require replacement parts.

Ref	Dimensions	Visual	Qty	Ctn
1	27 x 35cm		1	1
2	11x 25.5cm		1	1
3	11x 25.5cm		1	1
4	12x 32cm		1	1
5	27 x 35cm		1	1
6	9x 20cm		1	1
7	8.5 x 26cm		1	1
8	9x 20cm		1	1
9	19x 27cm		1	1
10	10.5x 35cm		1	1

Fixtures and fittings supplied (actual size)

Ref	Dimensions	Qty	Spare Qty
B1	Ø15 x 10mm	10	2
D3	Ø6 x 30mm	2	1
D6	Ø8 x 30mm	4	1
B7	Ø7.5 x 35mm	10	2
U154	Ø4 x 32mm	4	1



Fixtures and fittings supplied (not to scale)

Ref	Dimensions	Qty	Spare Qty	Visual
E39	N/A	1	N/A	
O1	Ø25mm	2	1	
11	5*36cm	1	N/A	

We strongly recommend that a professional who has experience of fitting such items should install large mirrors.

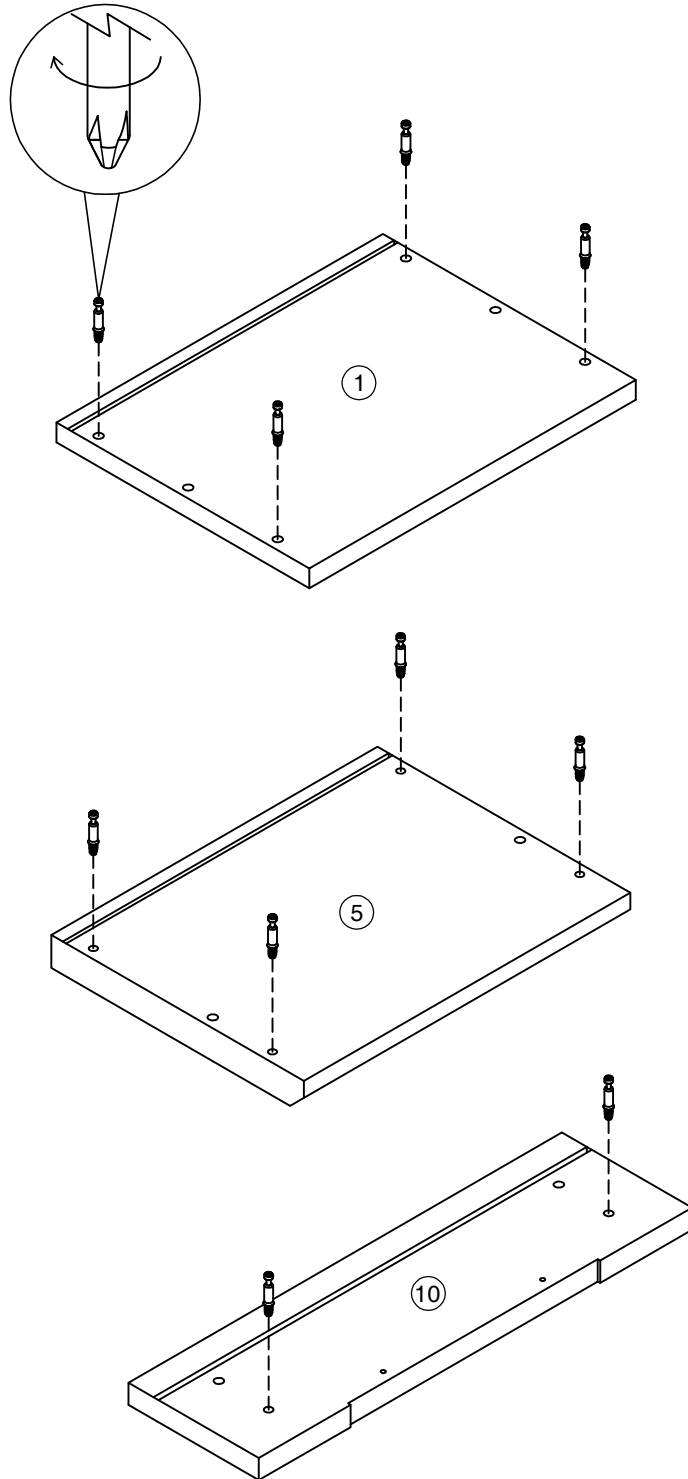
Mirrors are heavy objects and your safety is dependent on the construction/strength of the wall to which it is attached.

We recommend that the following methods are used to hang the mirrored cabinet.

SCREWS & WALL PLUGS ARE NOT INCLUDED

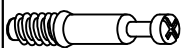
Please ensure these are suitable for your wall type and weight of the product if unsure, please seek professional help.

1



B7 Ø7.5 x 35mm

10

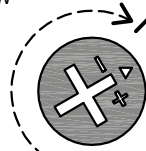


2

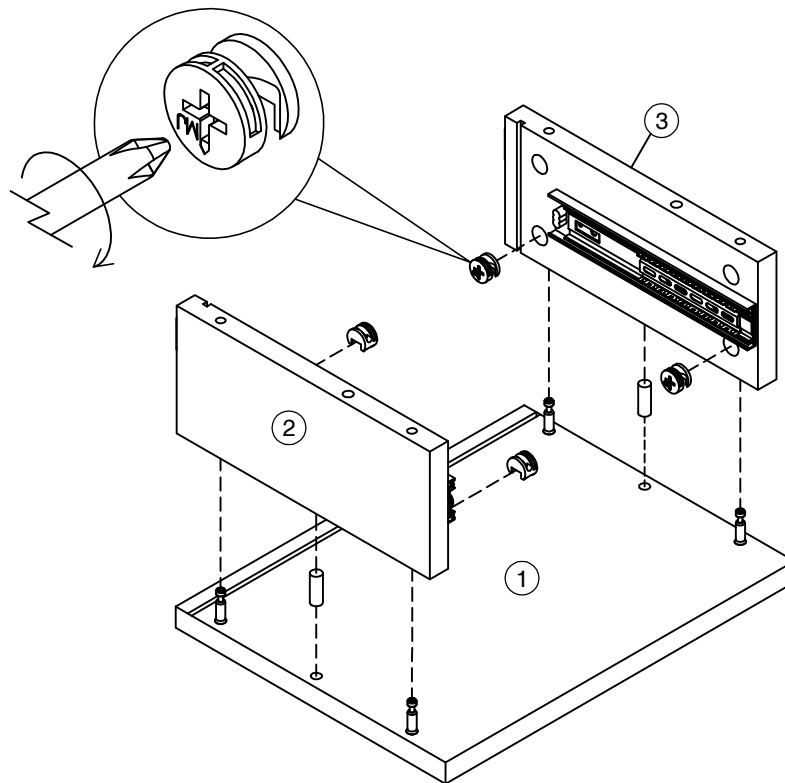
DON'T STOP UNTIL THE 2 O'CLOCK LOCK
TURN THE CAM IN A CLOCKWISE DIRECTION UNTIL THE
ARROW POINTS IN THE POSITIONS SHOWN IN THE
DIAGRAMS BELOW



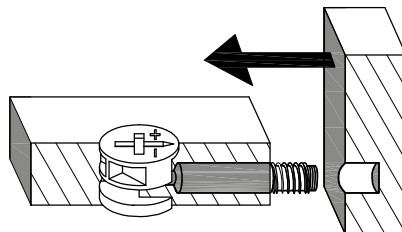
START



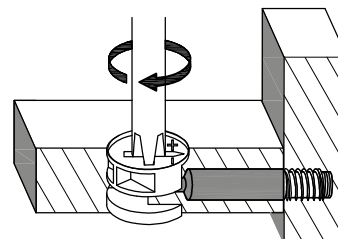
CORRECT
LOCK






PUSH THE TWO PANELS TOGETHER ALLOWING THE
DOWEL TO ALIGN WITH THE HOLE

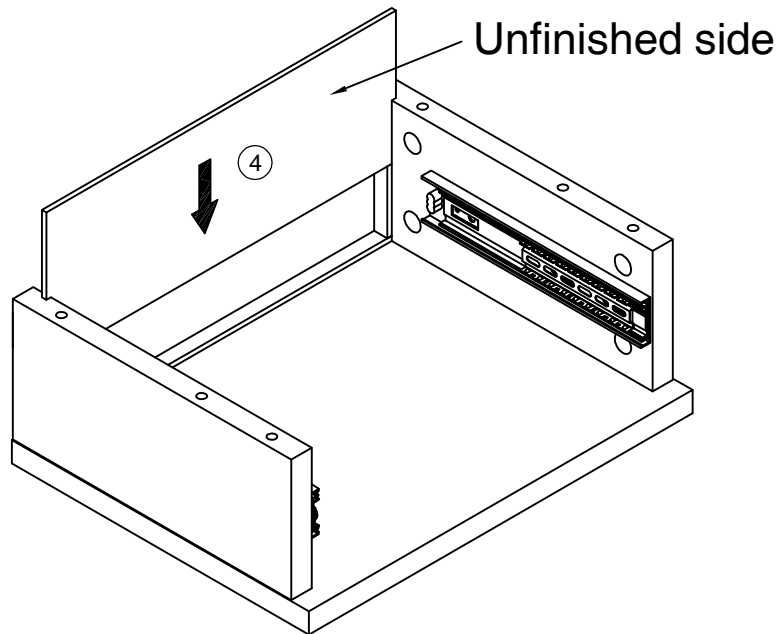


TURN THE CAM IN A CLOCKWISE DIRECTION

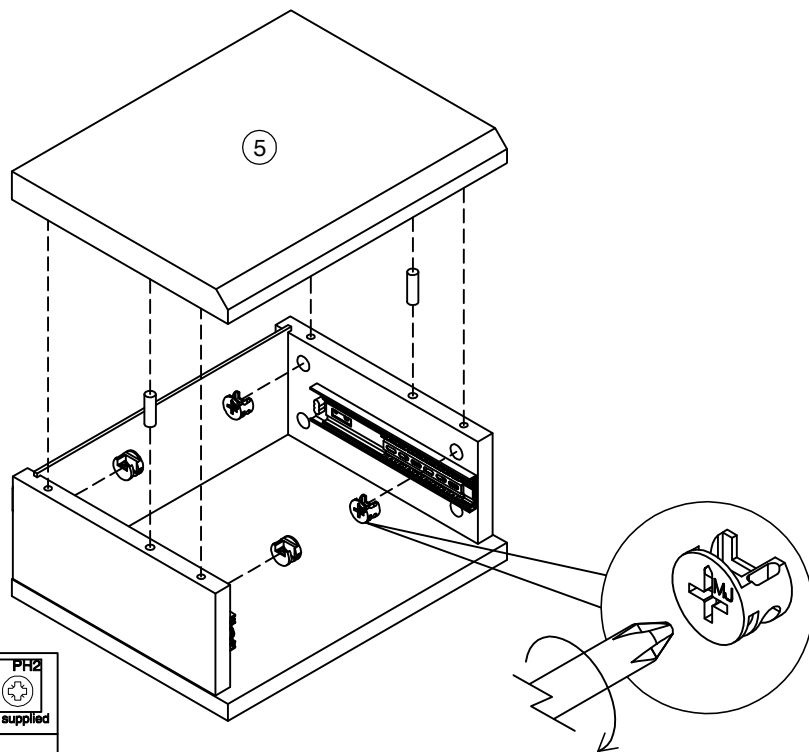





B1	Ø15 x 10mm	4	  not supplied
D6	Ø8 x 30mm	2	

3

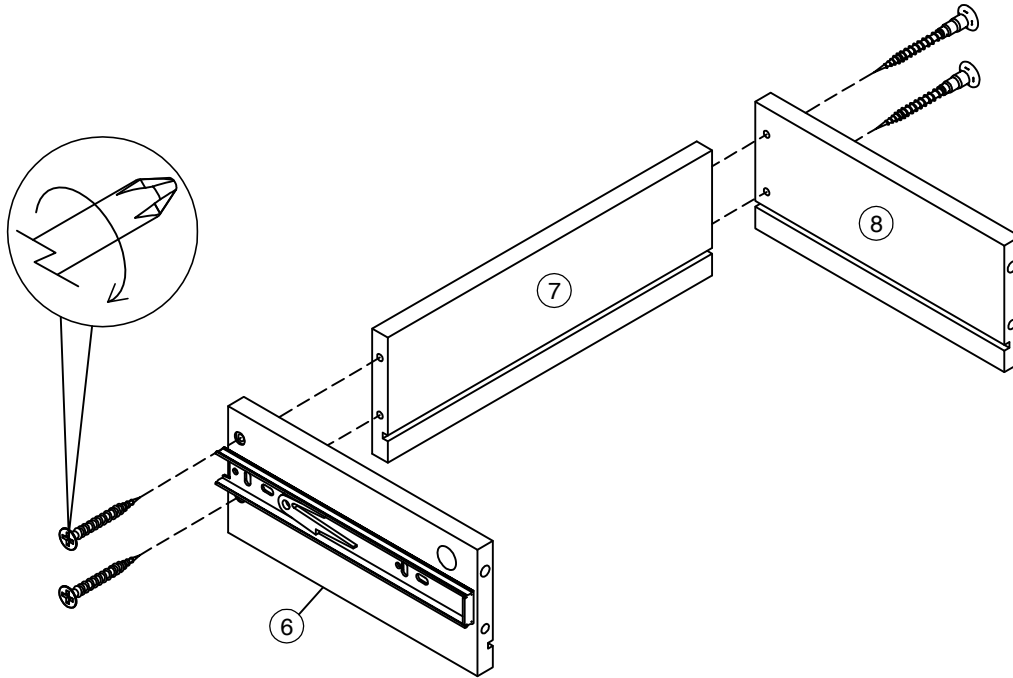


4



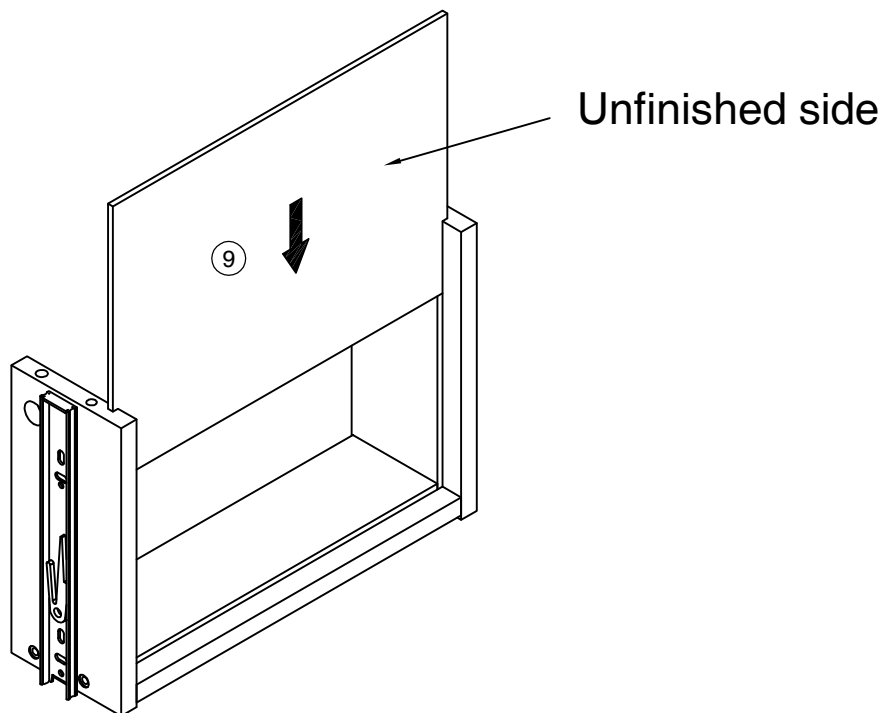
B1	Ø15 x 10mm	4	  not supplied
D6	Ø8 x 30mm	2	

5

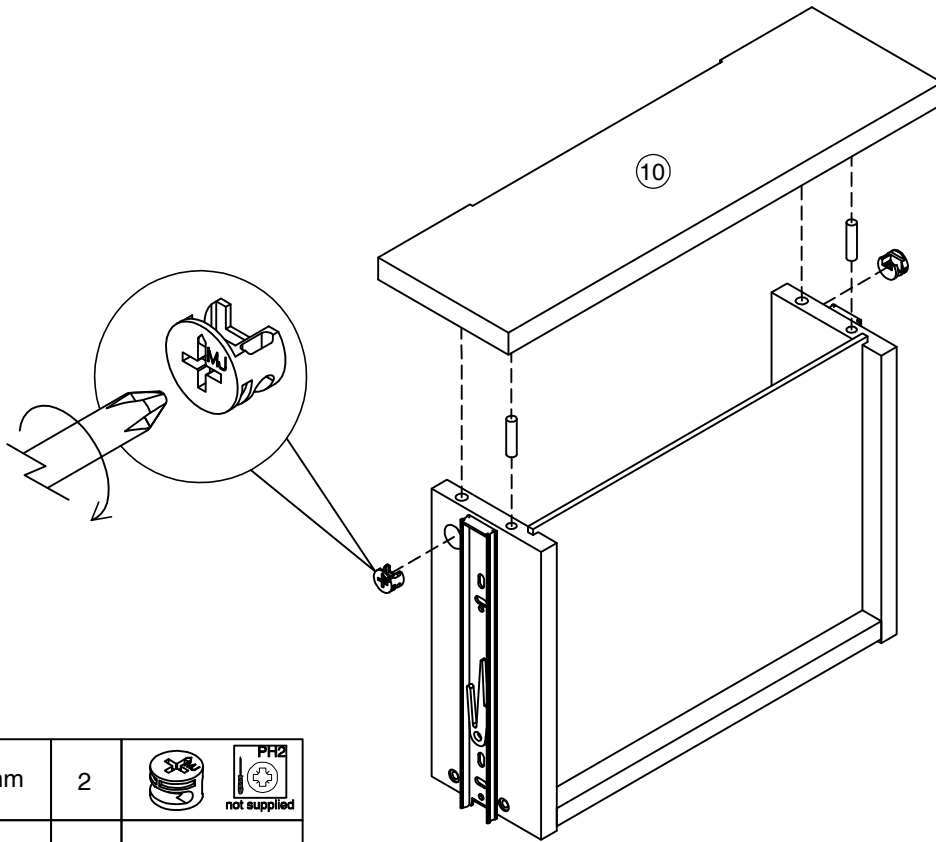





U154	Ø4 x 32mm	4		 not supplied
------	-----------	---	-------------------------------------------------------------------------------------	-----------------------------------------------------------------------------------------------------

6

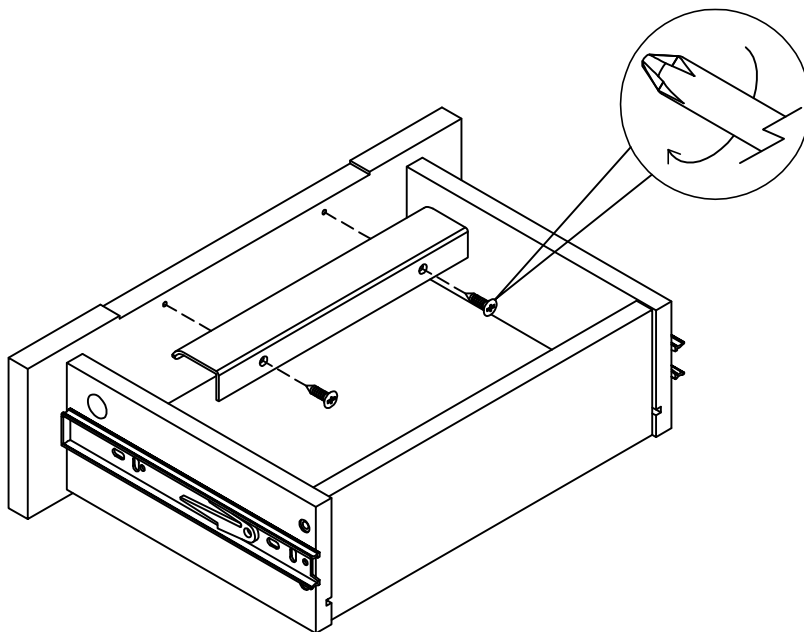


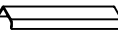


7



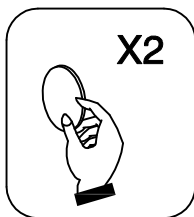
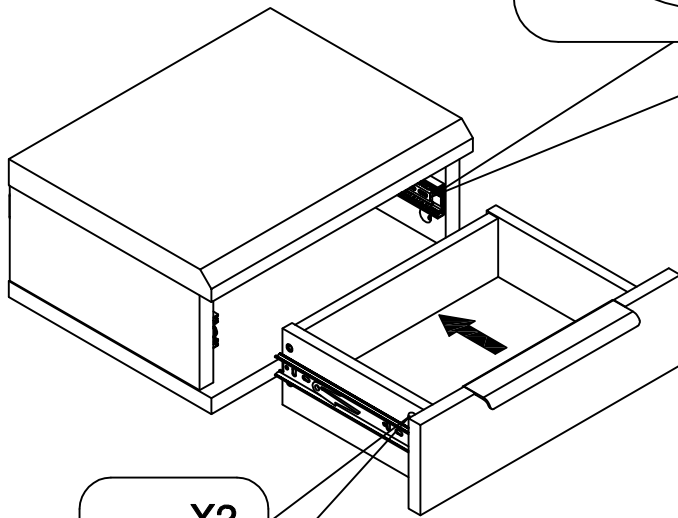
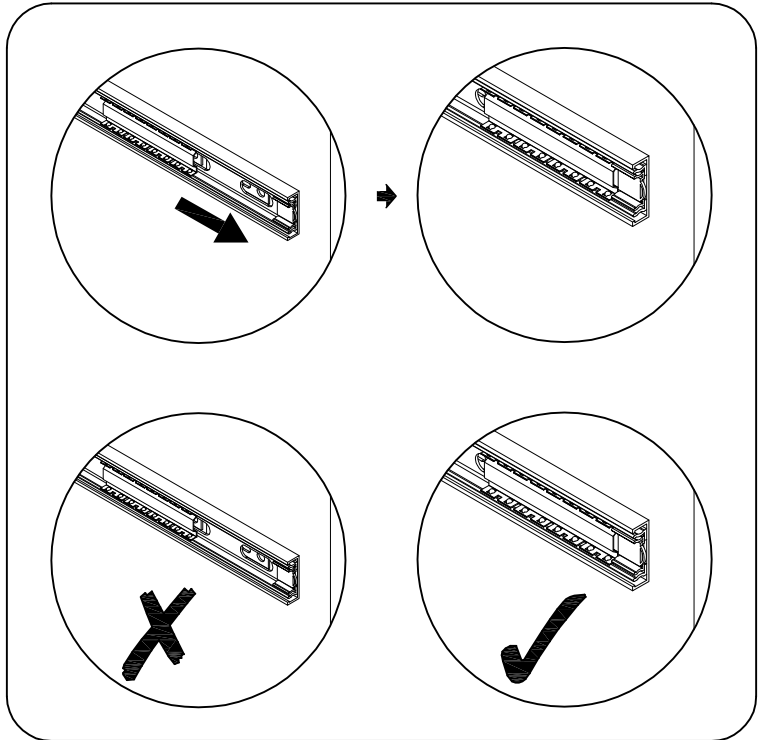
B1	Ø15 x 10mm	2	  not supplied
D3	Ø6 x 30mm	2	

8

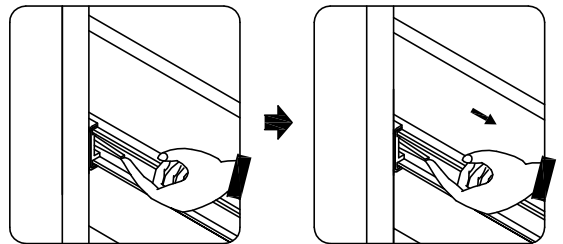


E39	N/A	1	   not supplied
-----	-----	---	-----------------------------------------------------------------------------------------------------------------------------------------------------------------------------------------------------------------------------------------------------------------------------

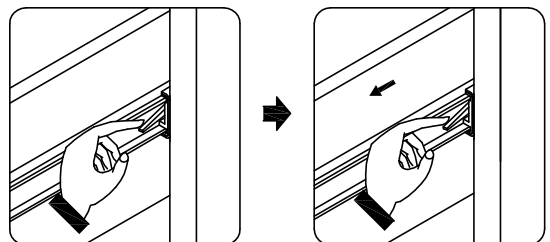
9



Left side

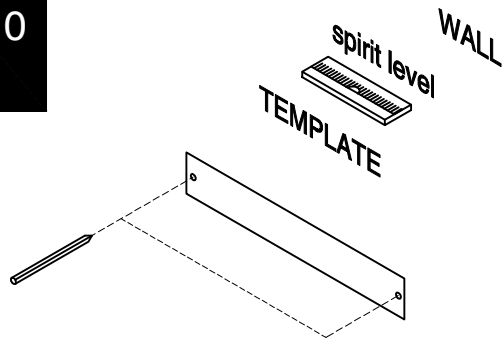


Right side



O1	Ø25mm	2	
----	-------	---	--

10



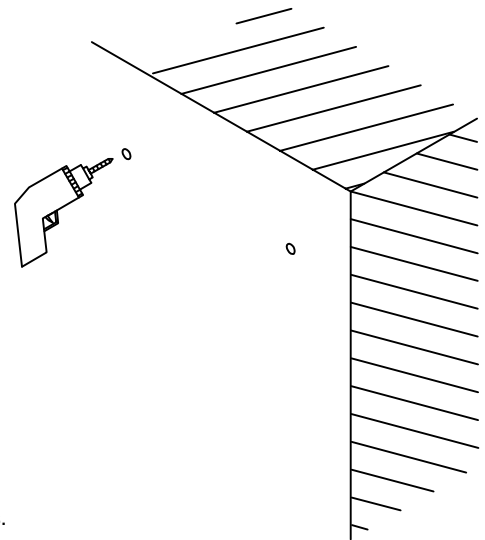
Please use the template provided to mark on the wall the position of the fixing.

NB: Place the template over the back of the mirror to ensure that the holes match the position of the hooks before drilling into your wall.

Use a spirit level to check that the fixings are level.

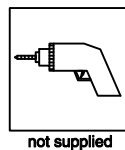


11

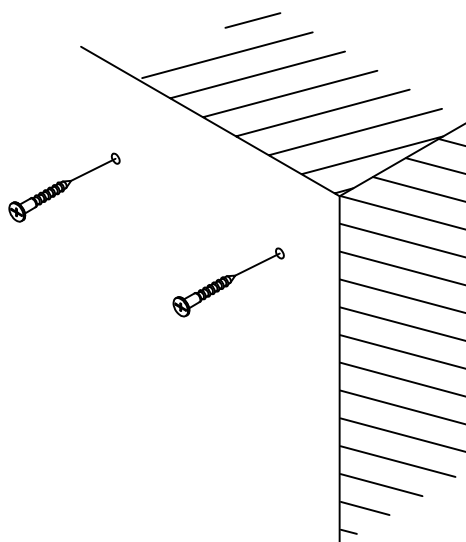


Drill two holes.

Warning: Always ensure wall area to be drilled is free from hidden electrical wires, water and gas pipes.



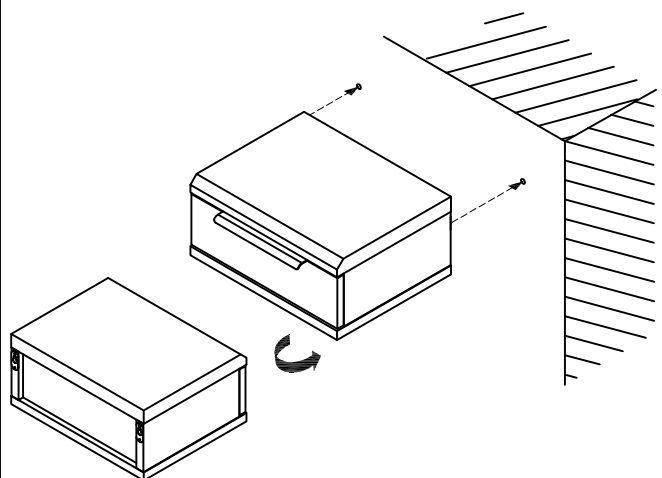
12



Insert an appropriate wall plug into each hole.
Insert the screws and tighten, leaving the screw head exposed by 1/4 inch(6mm)

NB: Wall fixings are not included.
Please source suitable fixings for your wall type. If in doubt please consult a qualified trades person.

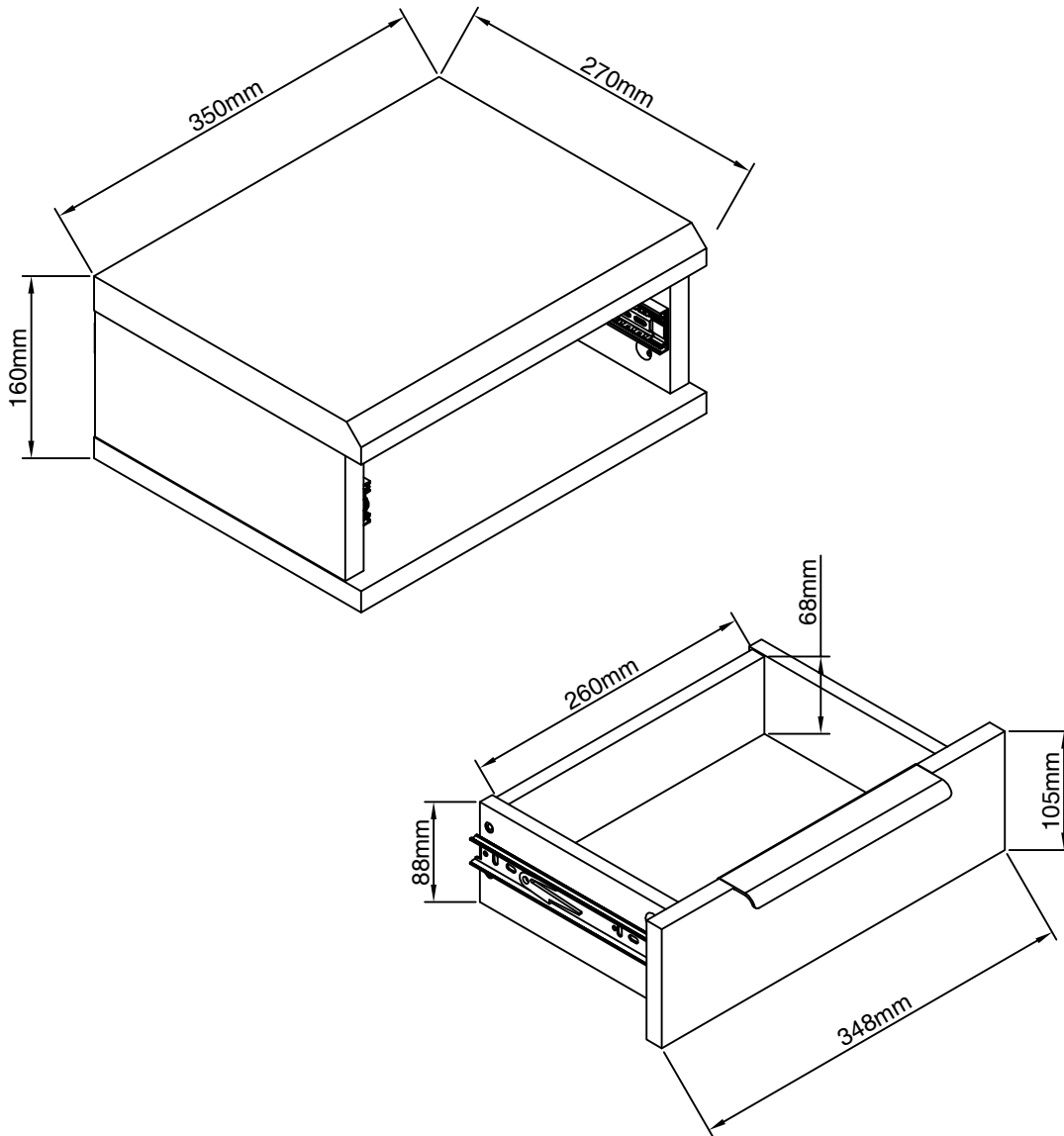
13



next

BRONX WALL MOUNTED BEDSIDE
269588

Actual product size
H16 x W35 x D27cm



Warnings

We suggest you retain these instructions for future reference.

Keep fittings out of children's reach and keep children well away from construction area.

This product should only be used on firm level ground.

Please periodically check all fittings and re-tighten as necessary.

Please do not sit or stand on your furniture.

Avoid exposing the furniture to excessive heat or direct sunlight as this can cause deterioration of the colour.

Unwrap all packaging materials and place the components on top of the carton box or on a clean floor to protect it from damage

Missing parts

If you are missing any fixtures and fittings for your product. Please contact our customer service team on 0333 777 8999 and they will be happy to arrange for a replacement to be sent to you free of charge.

Home service technicians

If you have a fault with your product, please contact our customer service team on 0333 777 8999. If you have had the product for 28 days or less you may be offered a replacement, refund or for a fully trained home service technician to visit your home to assess the fault and repair the product where possible. If you have had the product for more than 28 days we will send an independent home service technician to review and repair the product where possible and recommend further action.

You can write to us at

Home Customer Services
Next Retail Ltd.
Desford Road,
Leicester,
LE19 4AT

To view our full furniture range please visit www.next.co.uk