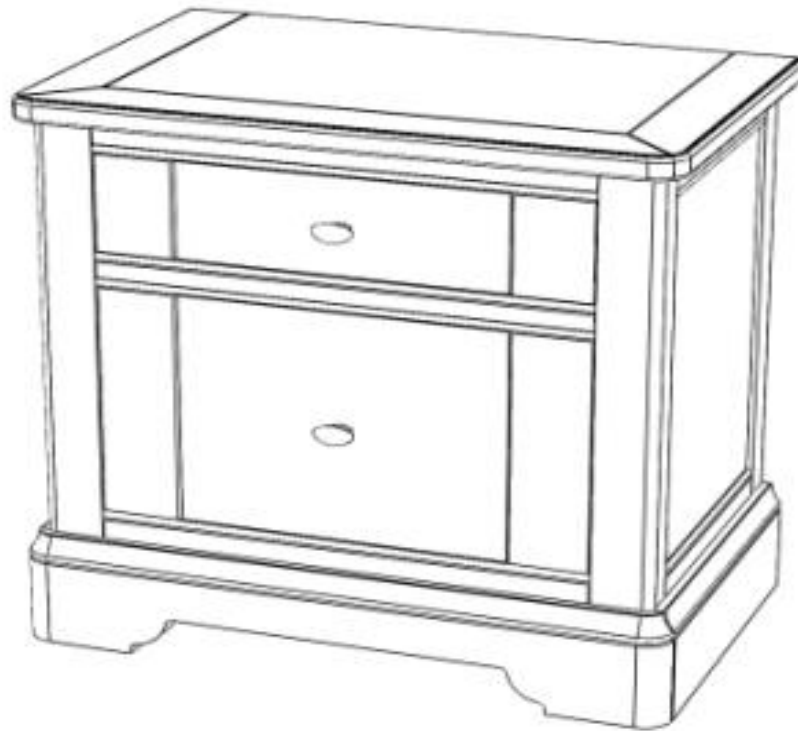


next

HAMPTON WDE BEDSIDE

Actual product size
H60 x W65 x D42cm



651106 Hampton WDE Bedside Chalk
286301 Hampton WDE Bedside Stone

IMPORTANT – RETAIN FOR FUTURE REFERENCE

Need Help?

With: Assembly instructions
Missing or damaged parts

CALL: 0333 777 8999

Produced in Lithuania for Next Retail Ltd.

BEFORE YOU START

Warnings

We suggest you retain these instructions for future reference.

Keep fittings out of children's reach and keep children well away from the construction area.

This product should only be used on firm, level ground.

Please do not sit or stand on your furniture.

Avoid exposing the furniture to excessive heat or direct sunlight as this can cause deterioration of the colour.

Do's

We suggest you spend a short time reading through this leaflet before you start.

Carefully check that you have all the parts before beginning assembly.

Ensure the product is fully assembled as illustrated and all fixings are fully tightened before use.

The items is cleaned with a dry clean soft cloth.

Wood will mellow and change colour over time, we recommend that ornaments and items placed on the surface are moved regularly for the first few months to prevent uneven mellowing.

Don'ts

Do not drag or pull your furniture.

Do not use silicone based furniture polish. Silicone in furniture polishes can break down the finish.

Never allow any kind of liquid to remain on your furniture. Absorption can cause wood to warp or finishes to de-laminate.

Do not place hot items (e.g. hot drinks) directly on to the wood surface. Please make sure you use a placement or coaster.

Number of people required to assemble

Two persons are required to assemble this item.

Time to assemble



10 min

Tools to required

No assembling required. For safety please ensure product is secured to you wall with the fixing provided.

Missing parts

If you are missing any fixtures and fittings for you product please contact our customer service team on 0333 777 8999 and they will be happy to arrange for a replacement to be sent to you free of charge.

Home service technicians

If you have a fault with your product please contact our customer service team on 0333 777 8999. If you have had the product for 28 days or less you may be offered a replacement, refund or for a fully trained home service technician to visit your home to assess the fault and repair the product where possible. If you have had the product for more than 28 days we will send an independant home service technician to review and repair the product where possible and recommend further action.

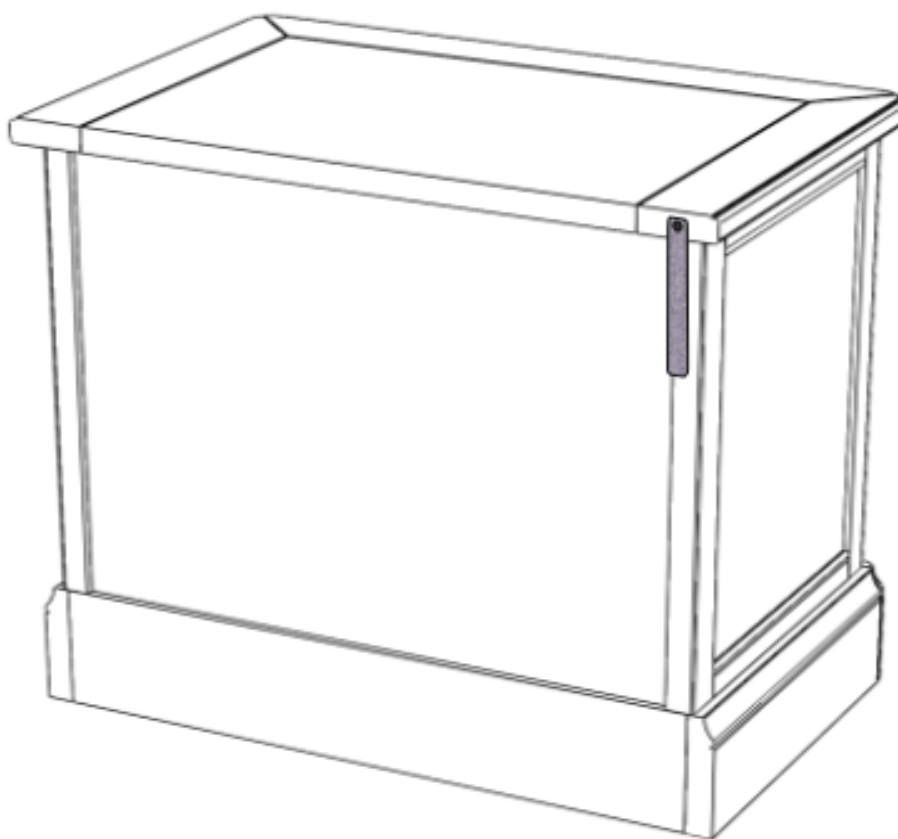
You can write to us at

Home Customer Services
Next Retail Ltd,
Desford Road,
Leicester,
LE19 4AT

To View our full furniture range please visit
www.next.co.uk

next HAMPTON WDE BEDSIDE

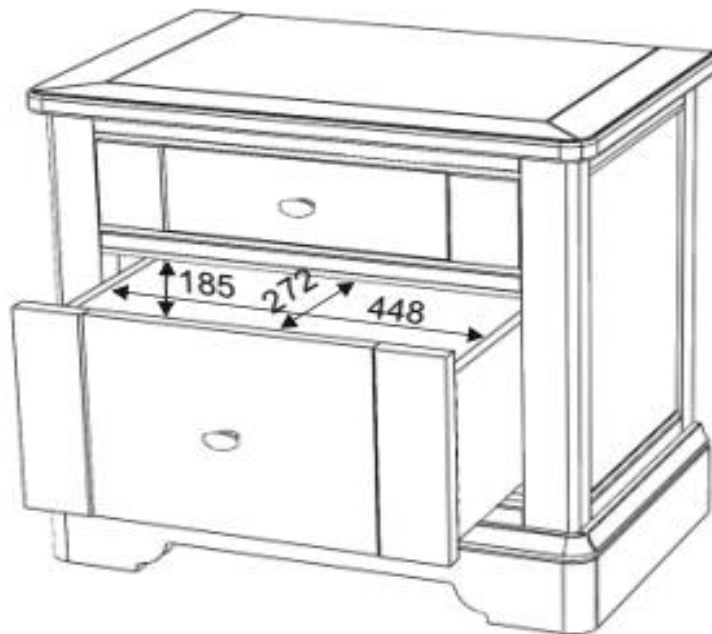
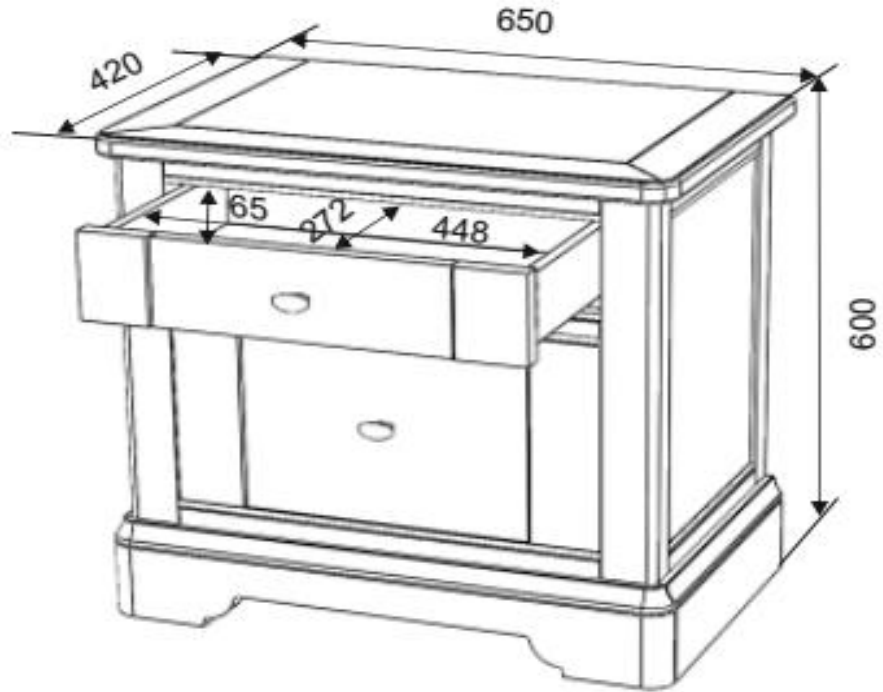
We recommend the use of the wall strap provided for safety reasons. Wall fixings are not included please source suitable fixings for your wall type. If in doubt, please consult a qualified tradesperson. **WARNING:** Always ensure the wall to be drilled is free from hidden electrical wires, water and gas pipes.



next HAMPTON WDE BEDSIDE

Actual product size

H60 x W65 x D42cm



Produced in Lithuania for Next Retail Ltd.

next HAMPTON WDE BEDSIDE

To align the drawers within the frame, first ensure that the unit is levelled in position.

If further adjustment of the drawers is required. Open the drawer and adjust using the thumbwheels in the drawer runners as shown in the diagram.

You may need to remove the small securing screw to allow the drawer to move on the runner.

Replace the screw once the drawer is in the correct position.

