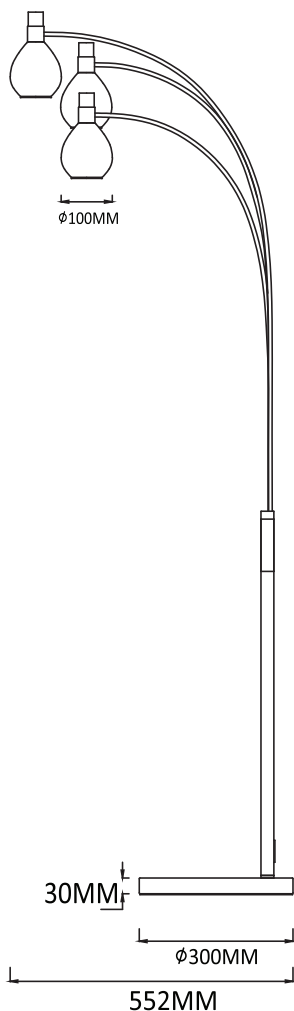


NEXT

Thank you for shopping with us

NEXT

CARSON 3 LIGHT FLOOR LAMP 293061 Assembly Instructions



Actual Product Size

L552*W300*H1685mm

Need Help?

With: Assembly instructions,
Missing or damaged parts

CALL:0333 777 8999

IMPORTANT - RETAIN FOR FUTURE REFERENCE

NEXT

CARSON 3 LIGHT FLOOR LAMP 293061 Assembly Instructions

BEFORE YOU START

Warnings

We suggest you retain these instructions for future reference

This light is suitable for indoor use only

Do's

We suggest you spend a short time reading through this leaflet before you start

When you are ready to start, make sure that you have the right tools and plenty of space

Unwrap all packaging materials and place the components on top of the carton box or on a clean floor to protect it from damage

We recommend that the packaging is used to protect the surfaces during assembly

Carefully check that you have all the parts before beginning assembly

Ensure the product is fully assembled as illustrated and all fixings fully tightened before use. Check fixings regularly to ensure they remain tight

Always switch off the supply before changing light bulbs or cleaning

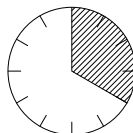
Allow bulbs to cool down before handling

Don'ts

Do not position this product in an area, subject to humid or moist conditions.

Do not allow moisture to come into contact with electric parts.

Time to assemble



20mins

Tools required

Scissor for unpacking

Missing parts

If you are missing any fixtures and fittings for your product please contact our customer service team on 0333 777 8999.

Cleaning Care

We recommend cleaning with a soft dry cloth. Do not use abrasive materials as these will rub away the protective coating.

Maintenance

To ensure your safety, if the cable becomes damaged it must be replaced only by a qualified person.

Safety information

For your safety, please remember the following:

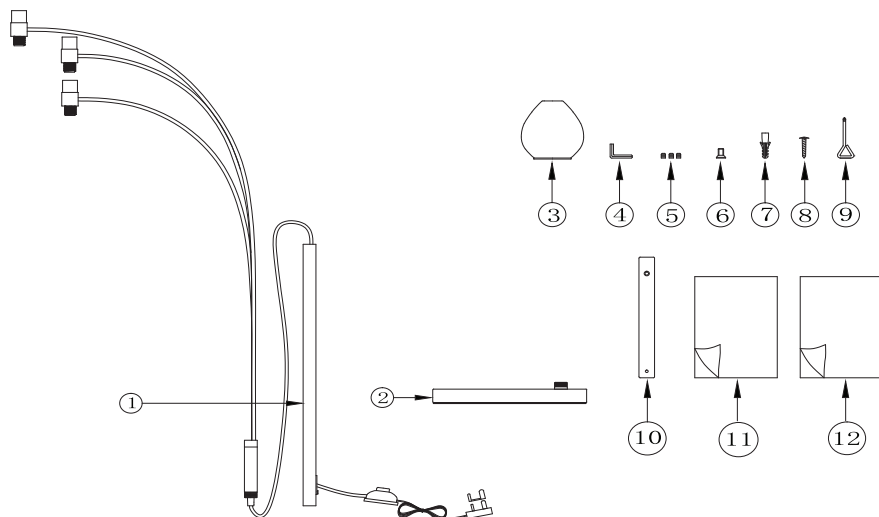
- Always switch off the power supply before changing lightbulbs or cleaning
- Allow bulbs to cool down before handling.

You can write to us at

Home Customer Services
Next Retail Ltd,
Desford Road,
Leicester,
LE19 4AT
or
Next Retail (Ireland) Ltd,
13-18 City Quay,
Dublin 2,
D02 ED70

To view our full range please visit
www.next.co.uk

GETTING TO KNOW YOUR PRODUCT



Ref	Description	Specification	Qty	Remark
1	Lamp body		1	Packed in carton
2	Lamp base		1	Packed in carton
3	Glass shades	Φ100*H106MM	3	Packed in carton
4	Allen key	M4*L78MM	1	Packed in fixing pack
5	Grub screws	M4*L3MM	3	Packed in fixing pack
6	Screw	M5*L12MM	1	Packed in fixing pack
7	Rawl plug	L38MM	1	Packed in fixing pack
8	Fixing screw	L38MM	1	Packed in fixing pack
9	Screw driver		1	Packed in fixing pack
10	Bracket	L220*W25MM	1	Packed in fixing pack
11	Assembly instructions	A4 X 2	1	Packed in fixing pack
12	Re-package instruction	A4 X 1	1	Packed in fixing pack

NEXT

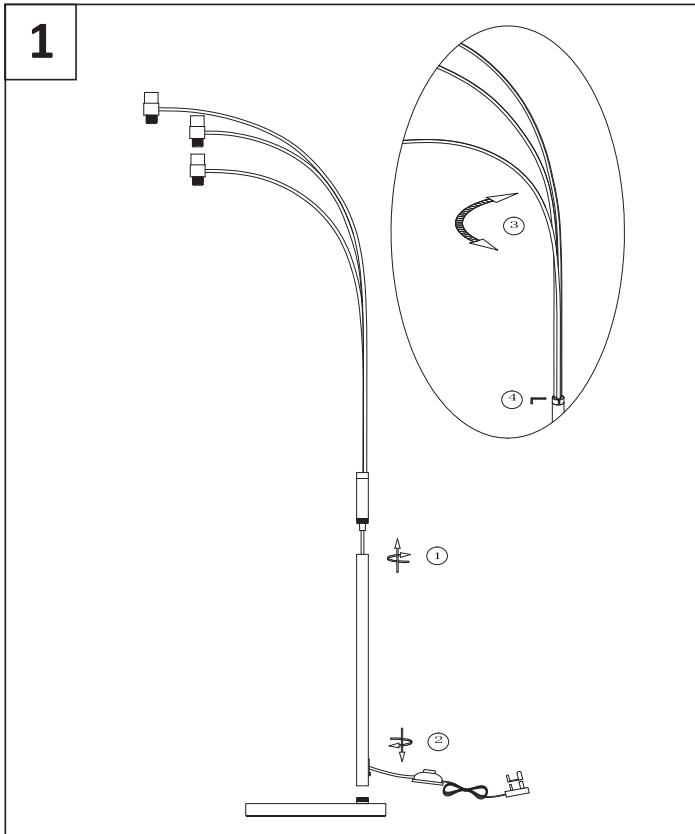
CARSON 3 LIGHT FLOOR LAMP 293061 Assembly Instructions

Assembly Instructions

Unpack the contents of the carton. Lay the contents out on a flat surface giving yourself room to work.

Step 1

Screw all the stems together and then screw the stem into the base. Check that they are securely tightened and pull surplus cable from the bottom of the stem. Adjust the arms to the desired position then tighten the grub screws by using the allen key supplied. (See Figure 1)



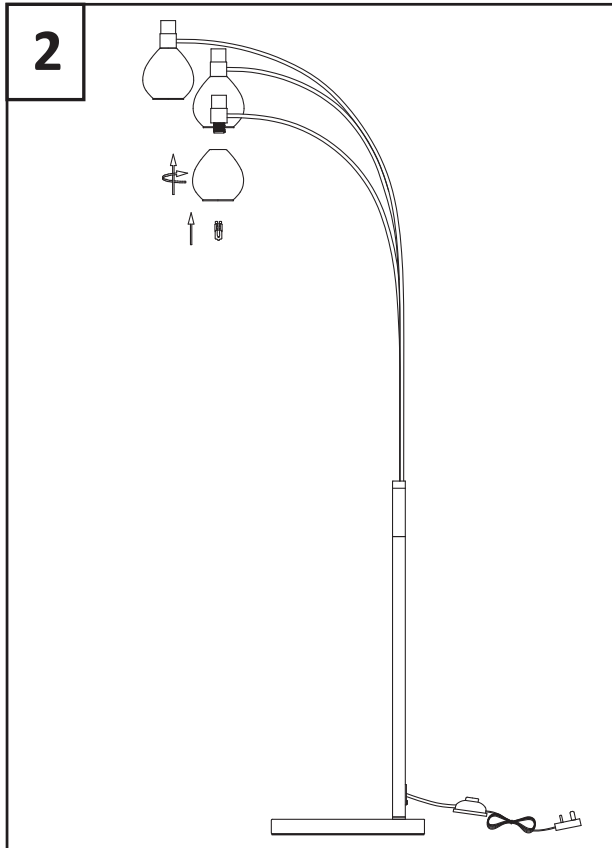
Selecting the correct light bulb

- ◆ Maximum Wattage - 33 Watts
- ◆ Voltage - 220 - 240 Volts
- ◆ Light bulb type - 3 X MAX 33W G9 Halogen bulb



Step 2

Screw on the glass shades. Fit the bulbs. Do not exceed the stated maximum wattage.(See Figure 2)



NEXT

CARSON 3 LIGHT FLOOR LAMP

293061

Assembly Instructions

PLEASE NOTE: ENSURE THAT THE AREA DRILLED MUST NOT BE IN CONTACT WITH ANY ELECTRICAL WIRING, WATER OR GAS PIPES. DRILLING WILL LEAVE A PERMANENT MARK ON THE FLOOR.

3) Attach the enclosed bracket to the bottom of the base in the prethreaded hole using the screw (part no.6) provided. (See Figure 3)

4) Taking care not to damage any wiring or piping under the floor,drill the floor to the height of the rawl plug. Screw the bracket to the floor using the fixing screw (part no.8) supplied in the accessory pack. Ensure the floor lamp is secured in place. (See Figure 4)

