

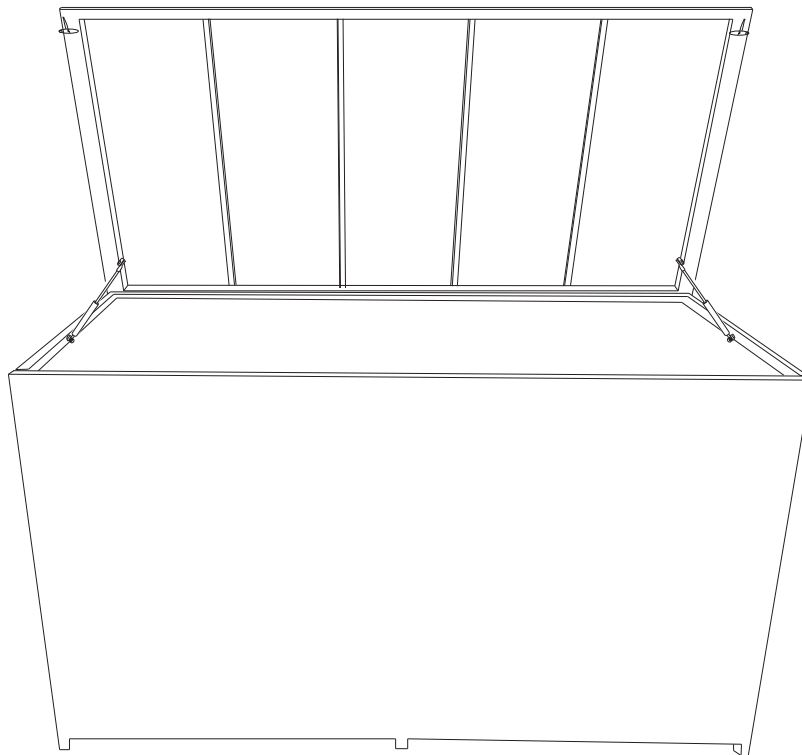
**next**

# MONACO STORAGE BOX DARK GREY

## Assembly Instructions

**Actual product size**

L166 X W77 X H96cm



**Dark Grey: 315870**

**Need Help?**

With: Assembly instructions  
Missing or damaged parts

**IMPORTANT-RETAIN FOR FUTURE REFERENCE**

**CALL: 0333 777 8999**

## Assembly Instructions

**BEFORE YOU START****WARNINGS**

- We suggest you retain these instructions for future reference
- Keep fittings out of children's reach and keep children well away from construction area.
- Please periodically check all fittings and re-tighten as necessary
- Please do not stand on your furniture
- This product should only be used on firm, level ground.
- Avoid exposing the furniture to excessive heat or direct sunlight as this can cause deterioration of the colour
- Unwrap all packaging materials and place the components on top of the carton box or on a clean floor to protect it from damage

**Do's**

- We suggest you spend a short time reading through this leaflet before you start
- When you are ready to start, make sure that you have the right tools and plenty of space
- Unwrap all packaging materials and place the components on a clean surface to protect it from damage, We recommend that the packaging is used to protect the surfaces during assembly
- Carefully check that you have all the parts before beginning assembly
- Due to the size of the product we recommend that it is assembled in the room intended for use
- Ensure the product is fully assembled as illustrated and all fixings fully tightened before use

**Do's**

- Do not drag or pull your furniture
- Do not use silicone based furniture polish. Silicone in furniture polishes can break down the finish

**Number of people required to assemble**

Two persons to assemble the unit and lift the unit into position.

**Time to assemble**

30 minute

**Missing parts**

If you are missing any fixtures and fittings for your product please contact our customer service team on 0333 777 8999 and they will be happy to arrange for a replacement to be sent to you free of charge.

**Home service technicians**

If you have a fault with your product please contact our customer service team on 0333 777 8999. If you have had the product for 28 days or less you may be offered a replacement, refund or for a fully trained home service technician to visit you home to assess the fault and repair the product where possible. If you have had the product for more than 28 days we will send an independent home service technician to review and repair the product where possible and recommend further action.

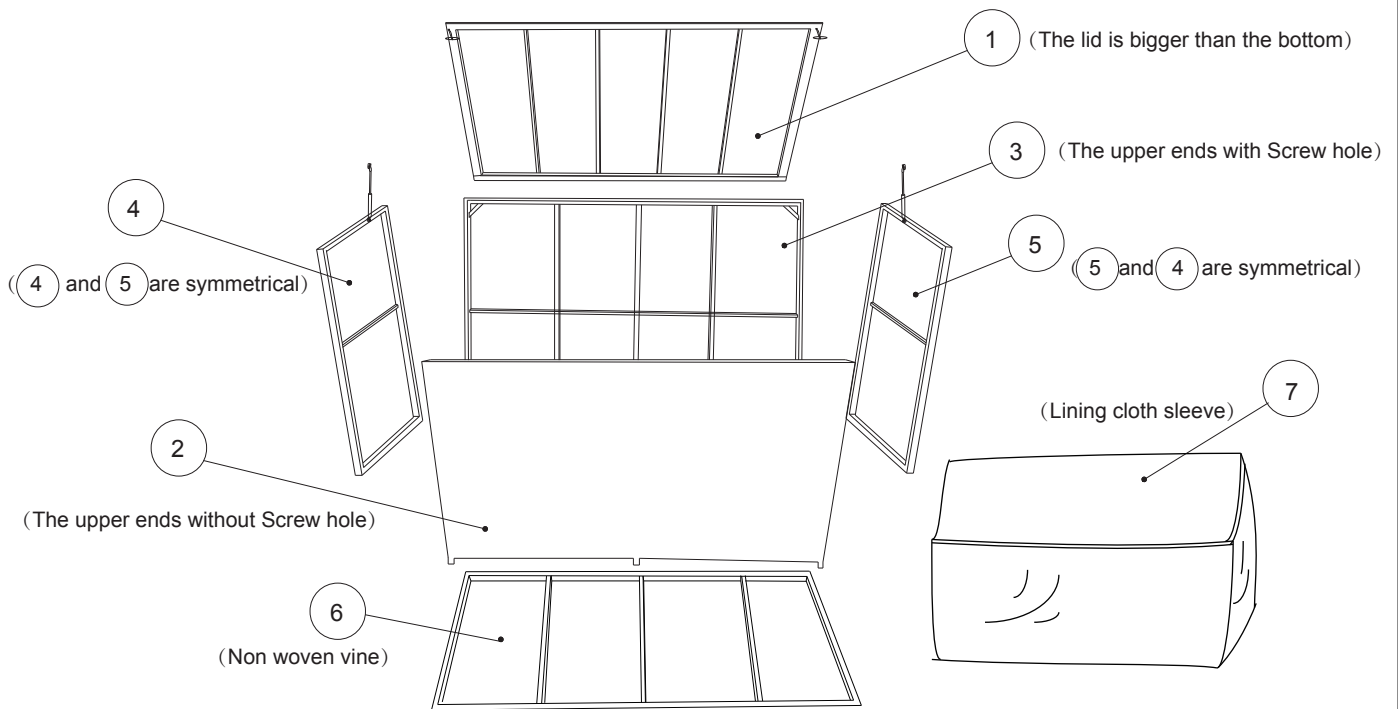
**You can write to us at**

Home Customer Services  
Next Retail Ltd,  
Desford Road,  
Leicester,  
LE19 4AT

To view our full furniture range please visit [www.next.co.uk](http://www.next.co.uk)

Assembly Instructions

GETTING TO KNOW YOUR PRODUCT



Components supplied. Please use this guide if you require replacement parts.

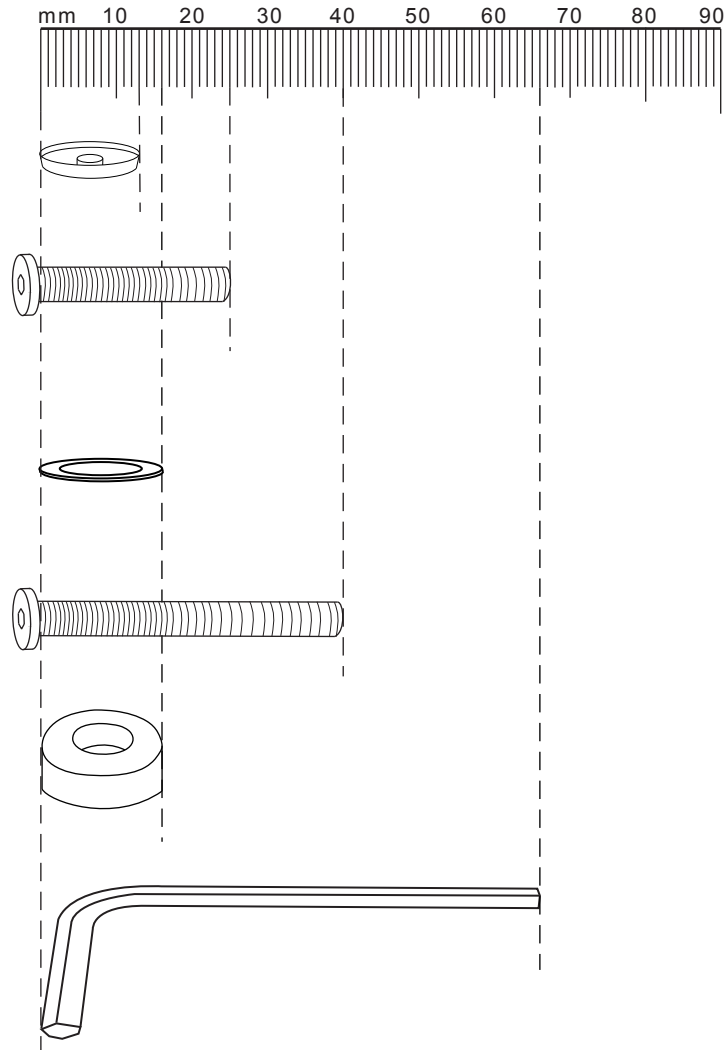
Ref	Dimensions	Visual	Qty
1	165.5X77X3cm		1
2	161X93X3cm		1
3	161X93X3cm		1
4	70X90X3cm		1

Ref	Dimensions	Visual	Qty
5	70X90X3cm		1
6	155.5X70X3cm		1
7	156X69X88cm		1

Assembly Instructions

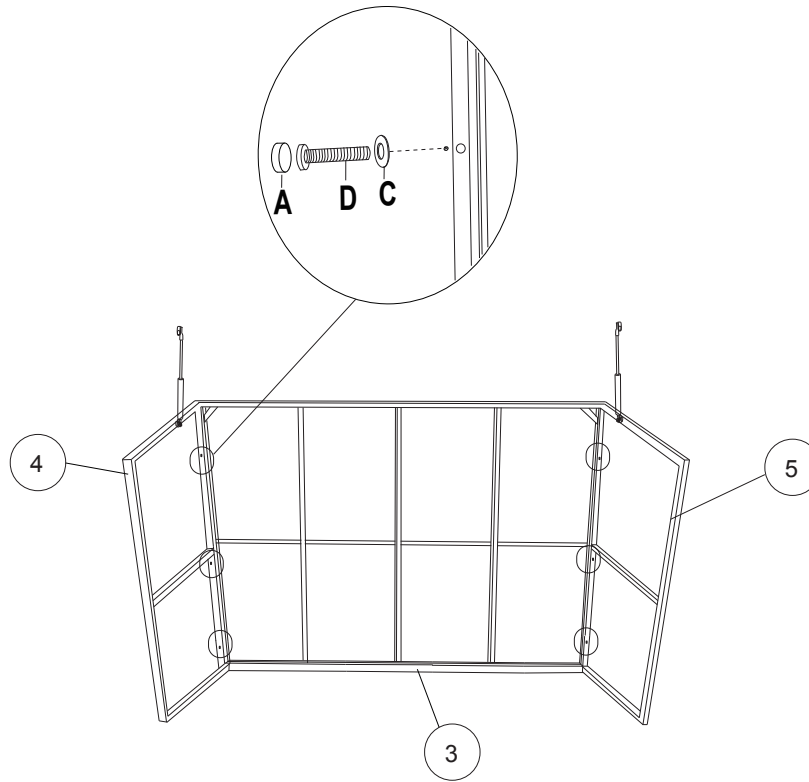
Fixtures and fittings  
supplied(actual size)





Ref	Dimensions	Qty
A	ø13x5.0mm	30
B	M6x25mm	4
C	ø16x1.0mm	28
D	M6x40mm	24
E	ø16x6.0mm	4
F	ø4x66mm	2



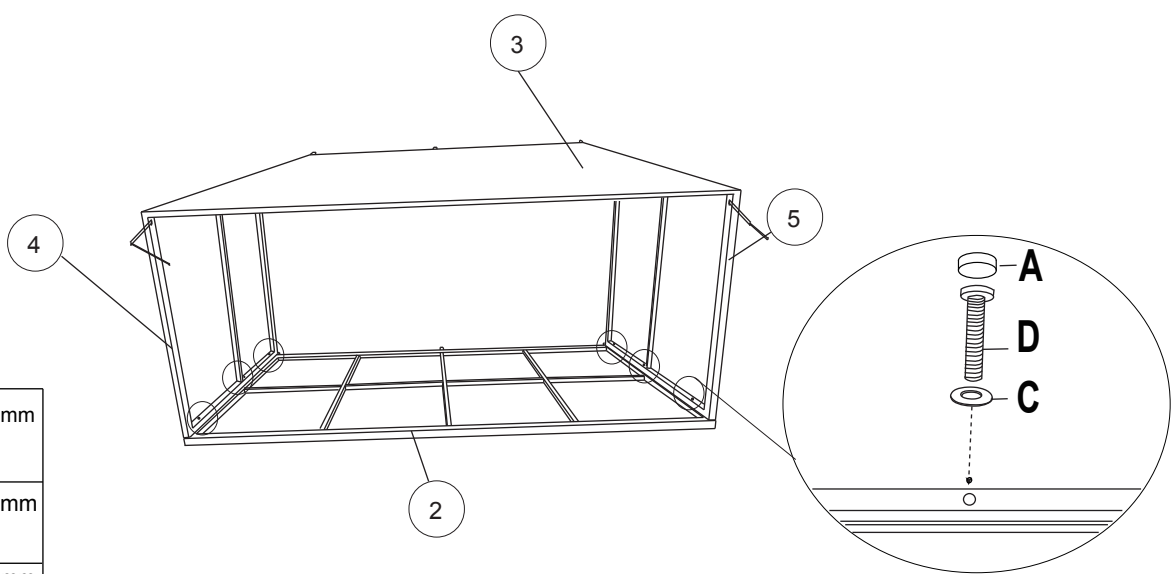
Assembly Instructions





1



<b>Ax6</b>	ø13 x 5.0mm
	
<b>Cx6</b>	ø16x1.0mm
	
<b>Dx6</b>	M6 x 40mm
	
<b>Fx1</b>	ø4 x 66mm
	

2



<b>Ax6</b>	ø13 x 5.0mm
	
<b>Cx6</b>	ø16x1.0mm
	
<b>Dx6</b>	M6 x 40mm
	
<b>Fx1</b>	ø4 x 66mm
	

Assembly Instructions

**3**

<b>Ax12</b> $\varnothing 13 \times 5.0\text{mm}$
<b>Cx12</b> $\varnothing 16 \times 1.0\text{mm}$
<b>Dx12</b> M6 x 40mm
<b>Fx1</b> $\varnothing 4 \times 66\text{mm}$

- Remember to fully tighten all bolts before turning over.

**4**

<b>Ax4</b> $\varnothing 13 \times 5.0\text{mm}$
<b>Bx4</b> M6 x 25mm
<b>Cx6</b> $\varnothing 16 \times 1.0\text{mm}$
<b>Ex4</b> $\varnothing 16 \times 6.0\text{mm}$
<b>Fx1</b> $\varnothing 4 \times 66\text{mm}$

- Remember to fully tighten all bolts before turning over.

Assembly Instructions

