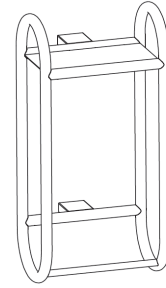


Tools Needed



Helpline

If you have any problems with this product please contact customer services Tel: 0333 777 8000

Important

- Suggest you spend a short time reading through this leaflet and then follow the simple step by step instructions.
- Carefully check that you have all parts before beginning assembly.
- Keep fittings out of children's reach and keep children away from construction.
- We suggest you retain these instructions for future reference.
- Please do not use abrasive cleaners on this product.
- We suggest you make periodic checks to ensure that all screws are fully tightened.
- Wall plugs and wall fixings are not included.
- Made in China

Care instructions

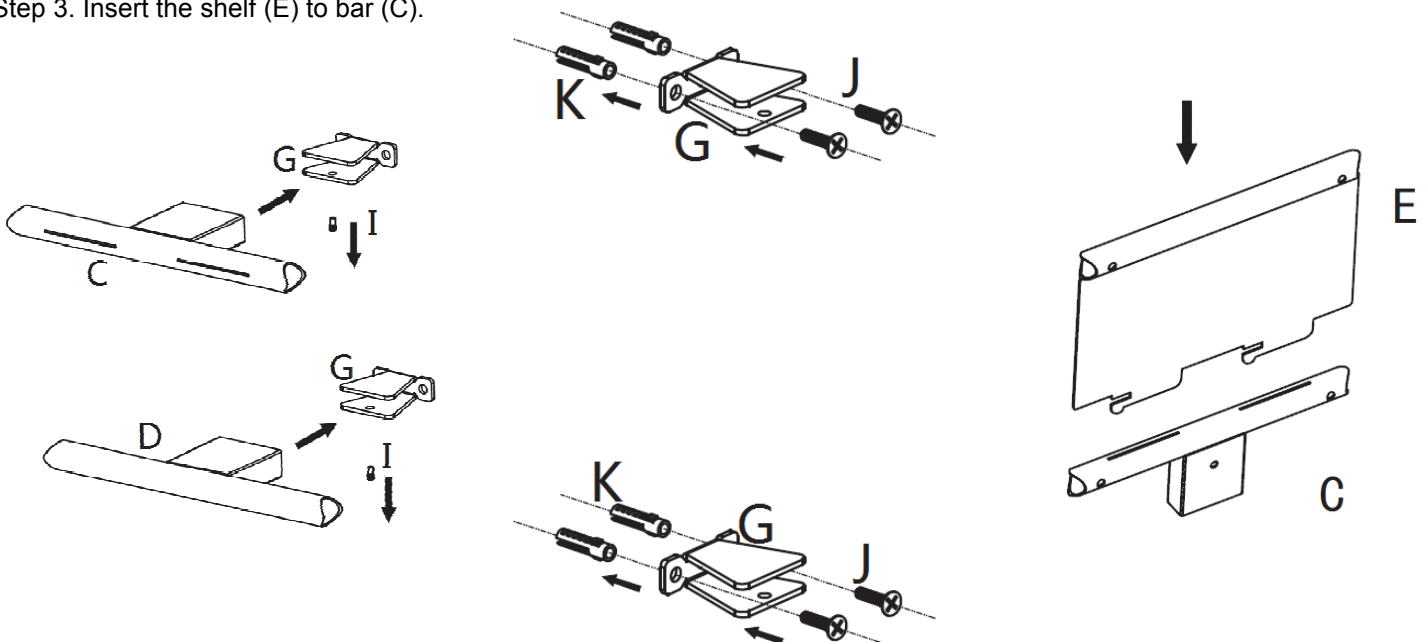
- Do not use abrasive cleaners or cleaners containing bleach.
- To prevent corrosion ensure the product does not come into prolonged contact with water. Wipe away excess moisture.

Fittings

A.X1	B.X1	D.X1	F.X1	G.X2	I.X2: Grub screw	(not included)	(not included)	

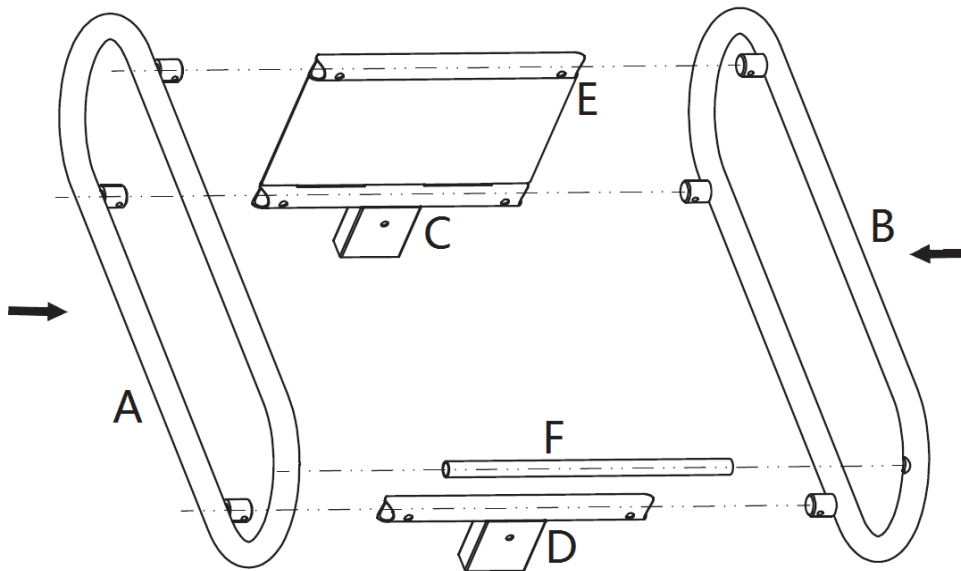
Assembly Instructions

- Step 1. Use a flat head screw driver to unfasten grub screws (I) to remove the wall attachments (G) from bars (C&D).
- Step 2. Use template (L) to mark position and drill holes on the wall. Secure wall attachments (G) to wall using wall fixings (J) and wall plugs (K). **(J) and (K) are not included.**
- Step 3. Insert the shelf (E) to bar (C).

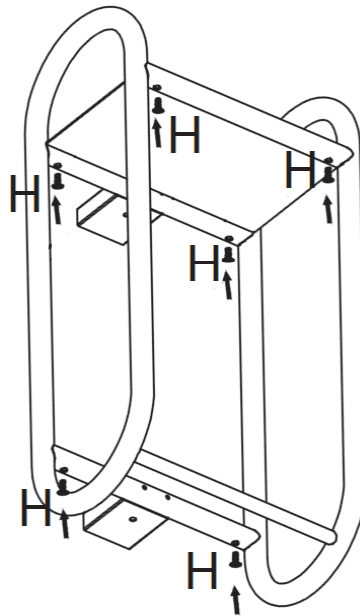


Please refer to next page

Step 4. Please align the hole on the shelf (E), bars (C & D) and rail (F) with the position of grub screws (H) on the frame refer to the position in the below.



Step 5. Then use a flat head screw driver to tighten grub screws (H) to secure the shelf (E), bars (C&D) and rail (F) to frames (A&B) until they do not loose.



Step 6. Secure product to wall attachment (G) by tighten grub screw (I) with a flat head screwdriver. Check to ensure that all screws are securely fixed.

