

# NEXT

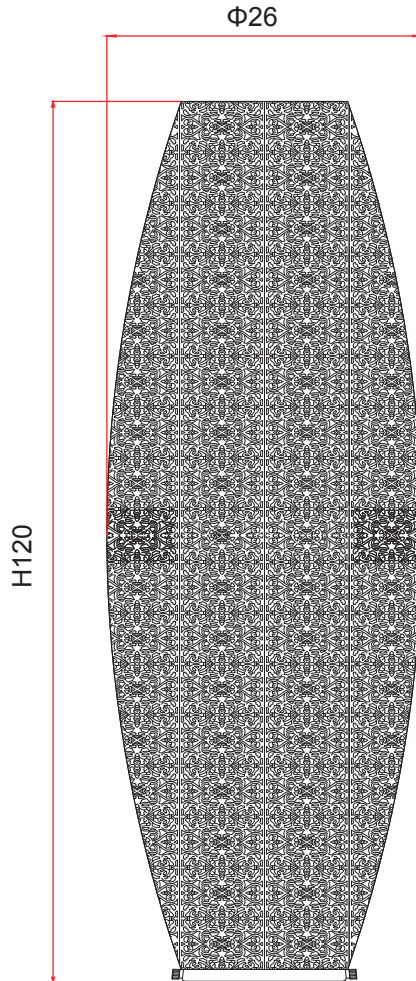
## LARGE ORIANA FLOOR LAMP

351100

Assembly Instructions

Actual product size

$\Phi 26 * H 120 \text{cm}$

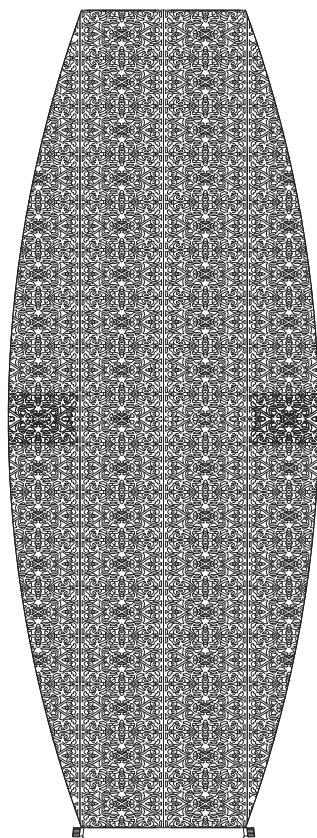


# NEXT

## LARGE ORIANA FLOOR LAMP 351100 Assembly Instructions

**Actual product size**

Φ26\*H120cm



## Need Help?

With: Assembly instructions  
Missing or damaged parts

**CALL: 0333 777 8999**

**IMPORTANT — RETAIN FOR FUTURE REFERENCE**

# NEXT

## LARGE ORIANA FLOOR LAMP

351100

Assembly Instructions

### **Time to assemble**

About 15 minutes.

### **Tools required**

Scissor or Knife for unpacking

### **Missing parts**

If you are missing any fixtures and fittings for your product, please contact our customer service team on 0333 777 8999 and they will be happy to arrange for a replacement to be sent to you free of charge.

### **Warnings**

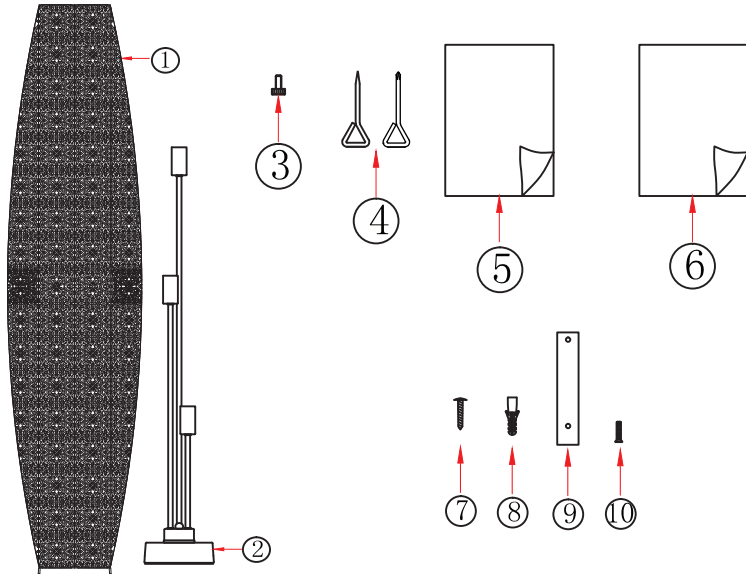
Light bulbs and surrounding parts may be hot.

### **You can write to us at**

Home Customer Services  
Next Retail Ltd,  
Desford Road,  
Leicester,  
LE19 4AT

To View our full light fitting range please visit  
[www.next.co.uk](http://www.next.co.uk)

#### GETTING TO KNOW YOUR PRODUCT



Components supplied. Please use this guide if you require replacement parts.

Ref	Description	Spec	Qty	Remark
1	Metal shade	Φ260*H1200mm	1	
2	Metal base	Φ140*H902mm	1	
3	Screws		3	Attached on lamp base
4	Screw driver		2	Packed in fixing pack
5	Re-package instructions	A4 X 1	1	Packed in fixing pack
6	Assembly instructions	A4 X 2	1	Packed in fixing pack
7	Fixing screw	L38mm	1	Packed in fixing pack
8	Rawl plug		1	Packed in fixing pack
9	Bracket	L120*W25mm	1	Packed in fixing pack
10	Screw	M5*L15mm	1	Packed in fixing pack

### Assembly Instructions

Unpack the contents of the carton. Lay the contents out on a flat surface giving yourself room to work.

#### **Step 1**

##### **Selecting the correct light bulb**

Maximum Wattage - 7 Watts

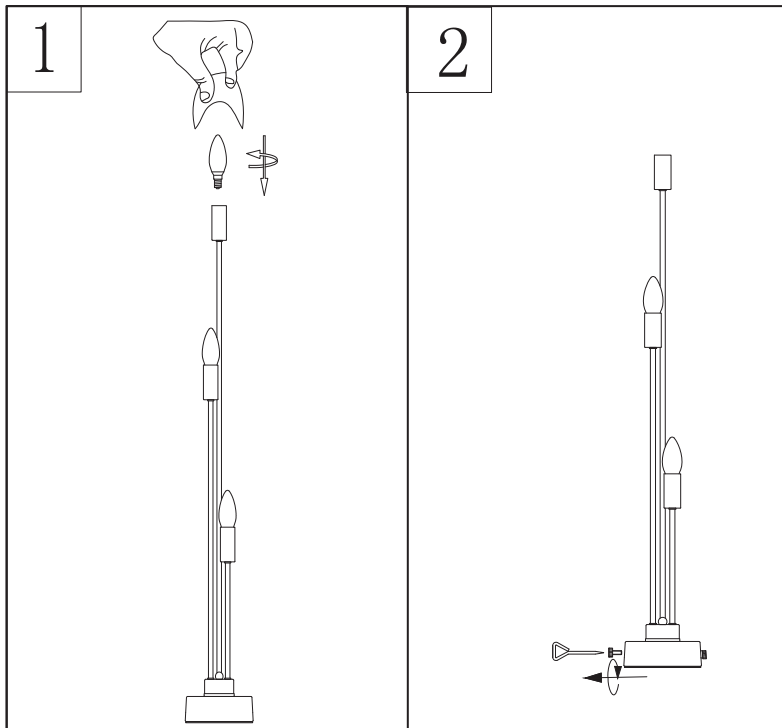
Voltage - 220 - 240 Volts

Lightbulb type - 7W E14 LED bulb

Do not exceed the maximum wattage as it may cause your light fitting to overheat. Use a soft cloth to handle bulb.

#### **Step 2**

Use the supplied screw driver (part no. 4) to loosen the three screws which attach on the base and retain them for later use.



# NEXT

## LARGE ORIANA FLOOR LAMP

351100  
Assembly instructions

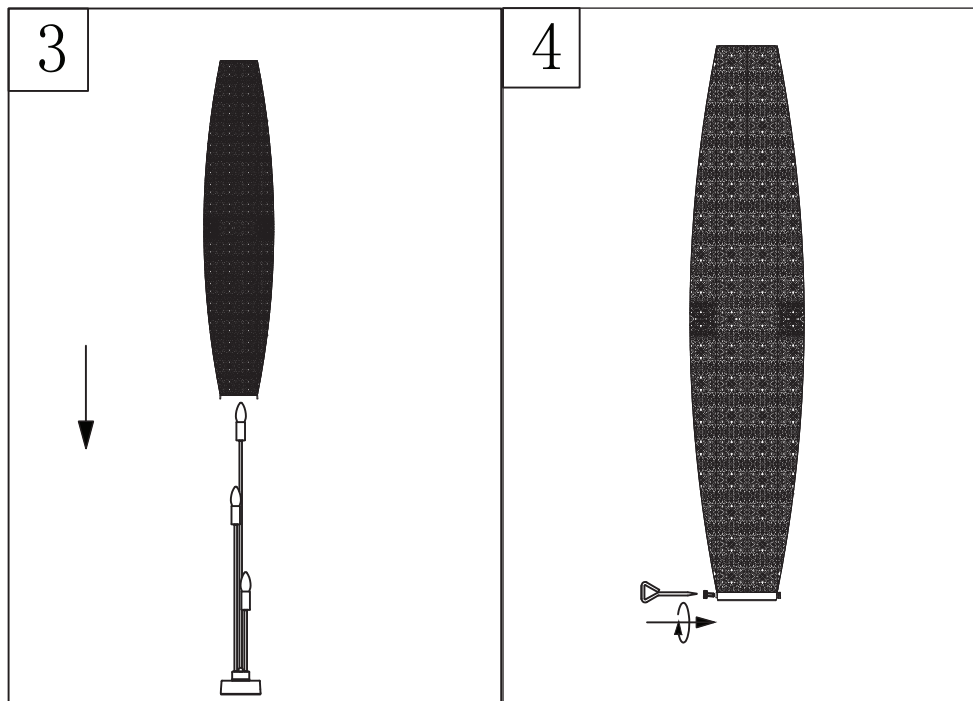
### Step 3

#### Attaching shade

Put the metal shade on the base and adjust the shade position to make the holes on the shade aim to the screws position on the base ( See Figure 3)

### Step 4

Use the screw driver (part no.4) to retighten the screws to lock the the shade on the base. (See Figure 4) .



# NEXT

## LARGE ORIANA FLOOR LAMP

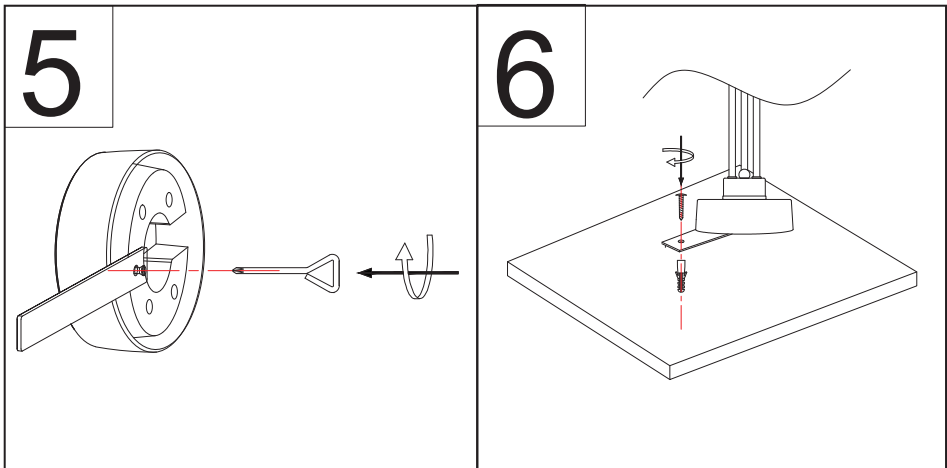
351100  
Assembly instructions

### Step 5

PLEASE NOTE:ENSURE THAT THE AREA DRILLED MUST NOT BE IN CONTACT WITH ANY ELECTRICAL WIRING, WATER OR GAS PIPES. DRILLING WILL LEAVE A PERMANENT MARK ON THE FLOOR.

1) Attach the enclosed bracket to the bottom of the base in the pre threaded hole using the screw (part no.10) provided. (See Figure 5)

2)Taking care not to damage any wiring or piping under the floor, drill the floor to the height of the rawl plug.Screw the bracket to the floor using the fixing screw(part no.7) supplied in the accessory pack.Ensure the floor lamp is secured in place. (See Figure 6)



# NEXT

## LARGE ORIANA FLOOR LAMP

351100  
Assembly instructions

### Switch on!

You may now switch the electricity back on. We are sure you will be pleased with your new NEXT light fitting and that it will give you many years of trouble free enjoyment.

### Cleaning care

We recommend cleaning with a soft dry cloth. Do not use abrasive materials as these will rub away the protective coating.

### Safety information

For your safety, please remember the following:  
Always switch off the supply before changing lightbulbs or cleaning.  
Allow bulbs to cool down before handling.

### Maintenance

**TO ENSURE YOUR SAFETY, IF THE CABLE BECOMES DAMAGED IT MUST BE REPLACED ONLY BY A QUALIFIED PERSON.**