

next

FLYNN PANEL TRIPLE WARDROBE

602894 / 354982

Assembly instructions

Actual product size

H190.4 x W117.4cm x D50.2



Need Help?

With: Assembly instructions
Missing or damaged parts

IMPORTANT— RETAIN FOR FUTURE REFERENCE

CALL: 0333 777 8999

BEFORE YOU START

****IMPORTANT**** : Assembly to be carried out by a competent adult only - Do not use this item if any components are missing or damaged

Warnings

We suggest you retain these instructions for future reference.

Keep fittings out of children's reach and keep children well away from the construction area.

This product should only be used on firm, level ground.

Please periodically check all fittings and re-tighten as necessary.

Please do not sit or stand on your furniture.

Avoid exposing the furniture to excessive heat or direct sunlight as this can cause deterioration of the colour.

Unwrap all packaging materials and place the components on top of the carton box or on a clean floor to protect it from damage.

Serious or fatal crushing injuries can occur from furniture tip-over. To prevent this furniture from tipping over it must be permanently fixed to the wall.

Fixing devices for the wall are not included since different wall materials require different types of fixing devices. Use fixing devices suitable for the walls in your home.

Do's

We suggest you spend a short time reading through this leaflet before you start.

When you are ready to start, make sure that you have the right tools and plenty of space.

Unwrap all packaging materials and place the components on a clean surface to protect it from damage.

We recommend that the packaging is used to protect the surfaces during assembly.

Carefully check that you have all the parts before beginning assembly

Due to the size of the product we recommend that it is assembled in the room intended for use.

Ensure the product is fully assembled as illustrated and all fixings are fully tightened before use.

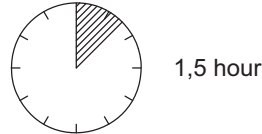
Wipe occasionally with a soft cloth slightly dampened with water. Then buff with a dry clean soft cloth.

Wood will mellow and change colour over time, we recommend that ornaments and items placed on the surface are moved regularly for the first few months to prevent uneven mellowing.

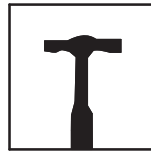
Number of people required to assemble

Two persons are required to assemble this item.

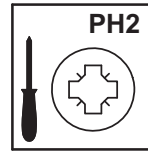
Time to assemble



Tools required



not supplied



not supplied

Don'ts

Do not drag or pull your furniture.

Do not use silicone based furniture polish. Silicone in furniture polishes can break down the finish.

Never allow any kind of liquid to remain on your furniture.

Absorption can cause wood to warp or finishes to de-laminate.

Do not place hot items (e.g. hot drinks) directly on to the wood surface. Please make sure you use a placement or coaster.

Missing parts

If you are missing any fixtures and fittings for your product please contact our customer service team on 0333 777 8999 and they will be happy to arrange for a replacement to be sent to you free of charge.

Home service technicians

If you have a fault with your product please contact our customer service team on 0333 777 8999. If you have had the product for 28 days or less you may be offered a replacement, refund or for a fully trained home service technician to visit your home to assess the fault and repair the product where possible. If you have had the product for more than 28 days we will send an independant home service technician to review and repair the product where possible and recommend further action.

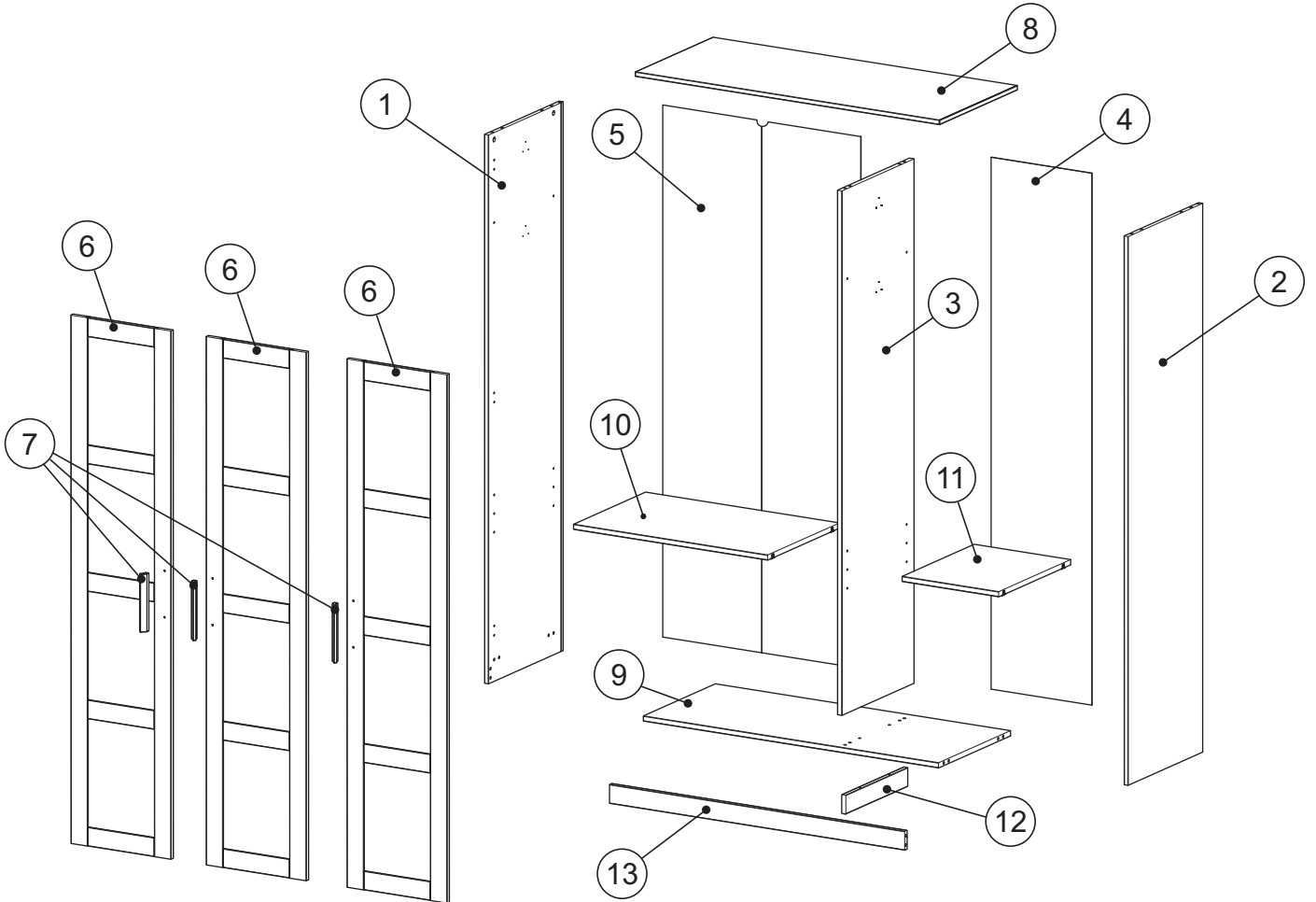
You can write to us at

Home Customer Services
Next Retail Ltd,
Desford Road,
Leicester,
LE19 4AT

To View our full furniture range please visit www.next.co.uk

PRODUCT SUPPLIED WITH WALL FIXING BRACKETS

GETTING TO KNOW YOUR PRODUCT

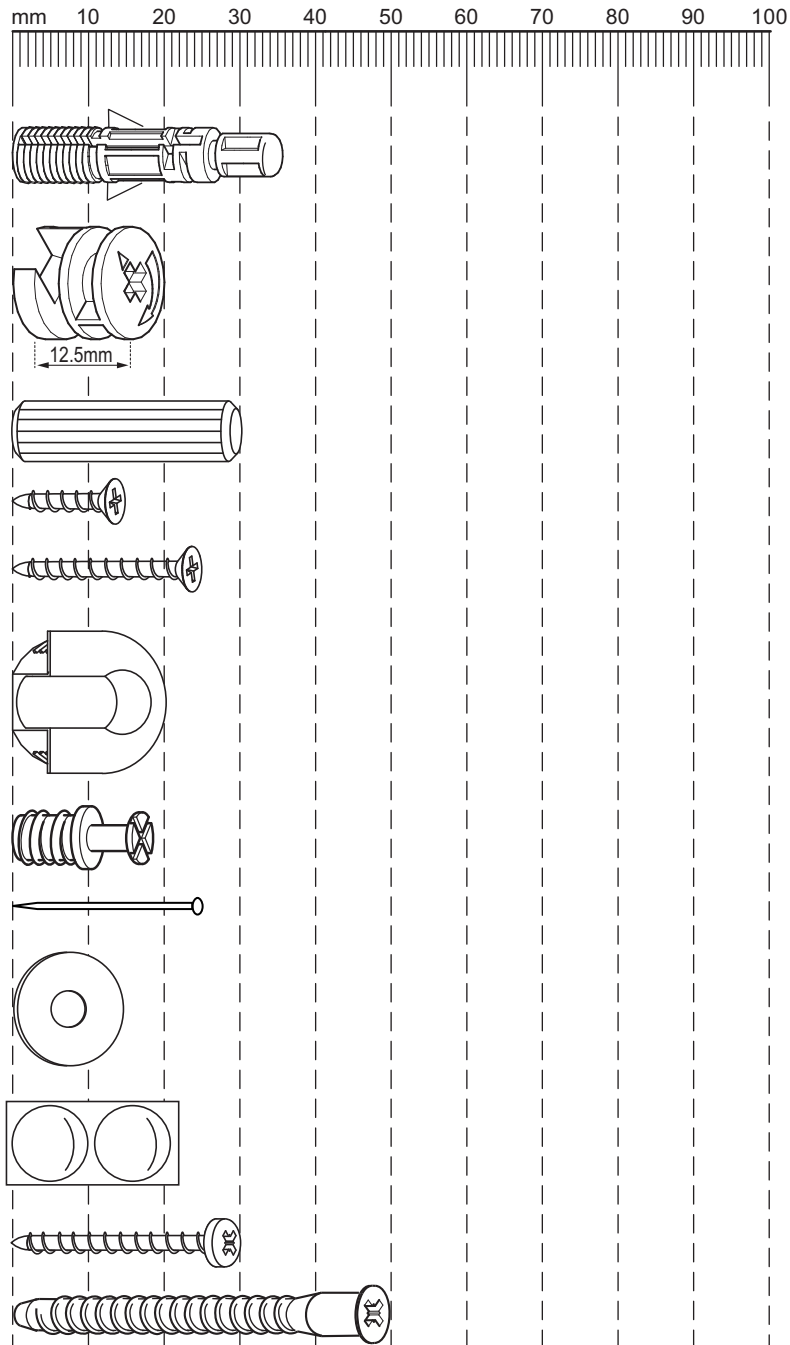


Components supplied. Please use this guide if you require replacement parts.

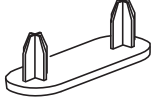
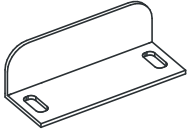
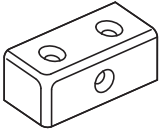

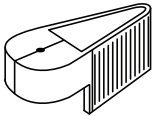




Ref	Dimensions	Visual	Qty	Ctn	Ref	Dimensions	Visual	Qty	Ctn
1	188 x 48cm		1	1	7	20 x 2.8cm		3	1
2	188 x 48cm		1	2	8	117 x 50cm		1	1
3	180 x 46.5cm		1	3	9	114 x 46.5cm		1	2
4	183 x 39cm		1	3	10	75 x 46.5cm		1	2
5	183 x 76cm		1	1	11	37 x 46.5cm		1	3
6	182 x 39cm		3	1-2-3	12	40 x 6,5cm		1	3
					13	114 x 6.5cm		1	1

Fixtures and fittings supplied (actual size)

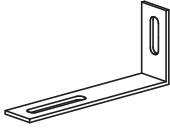
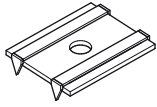
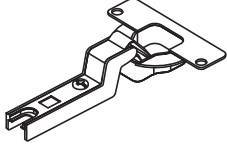
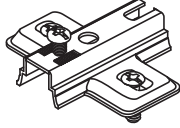
Ref	Dimensions	Quantity
A	8 x 36mm	14
B	15 x 12.5mm	14
C	8 x 30mm	14
D	3.5 x 15mm	18
E	3.5 x 25mm	7
F	20 x 12.5mm	8
G	9 x 17mm	8
H	1,5 x 25mm	10
I	Ø5 x 15mm	4
J	Ø10 x 1.5mm	3
K	4 x 30mm	6
L	7 x 50mm	2



Fixtures and fittings supplied (not to scale)

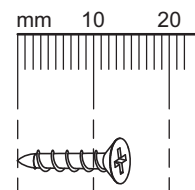
Ref	Dimensions	Visual	Qty
M	N/A		5
N	N/A		2
O	13x13x35mm		1
P	N/A		12
Q	N/A		1
R	N/A		4
V	N/A		1
S	Ø25 x 746mm		1
T	Ø25 x 370mm		1

Fixtures and fittings supplied (not to scale)

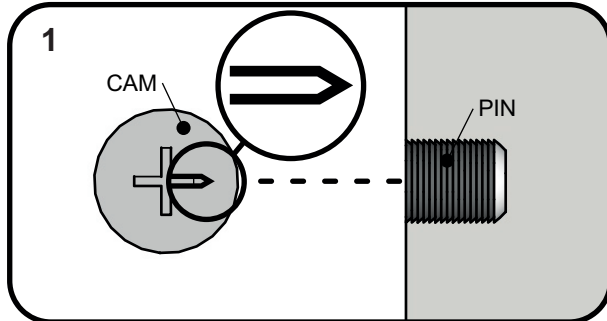
Ref	Dimensions	Visual	Qty
U	76x32x15mm		2
W	N/A		4
X	N/A		9
Y	N/A		9

Fixtures and fittings supplied (actual size)

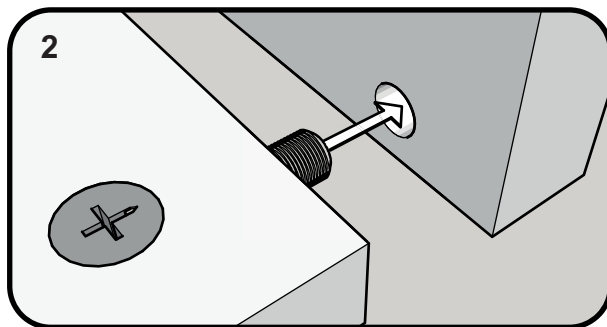
Ref	Dimensions	Quantity
D	3.5 x 15mm	18



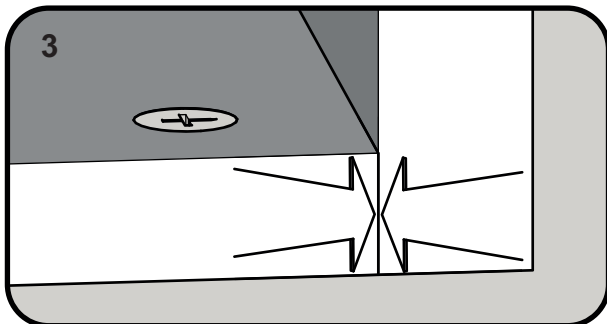
TITUS TIGHTENING INSTRUCTIONS



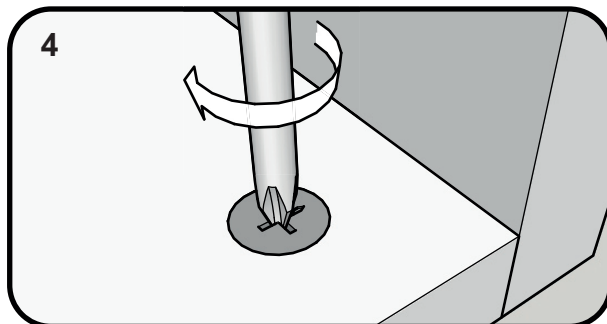
Line up the arrow on the CAM with the PIN.



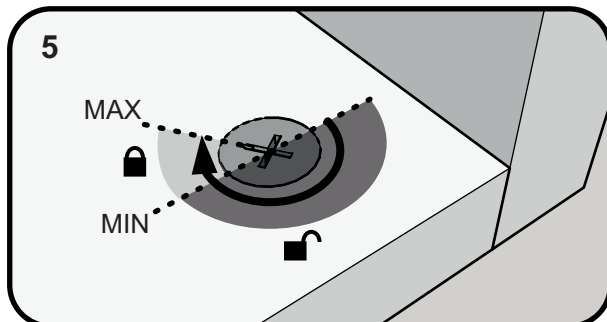
Push the pins into the holes in the panel to be joined.



Make sure there is no gap between the panels.

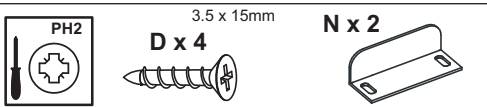
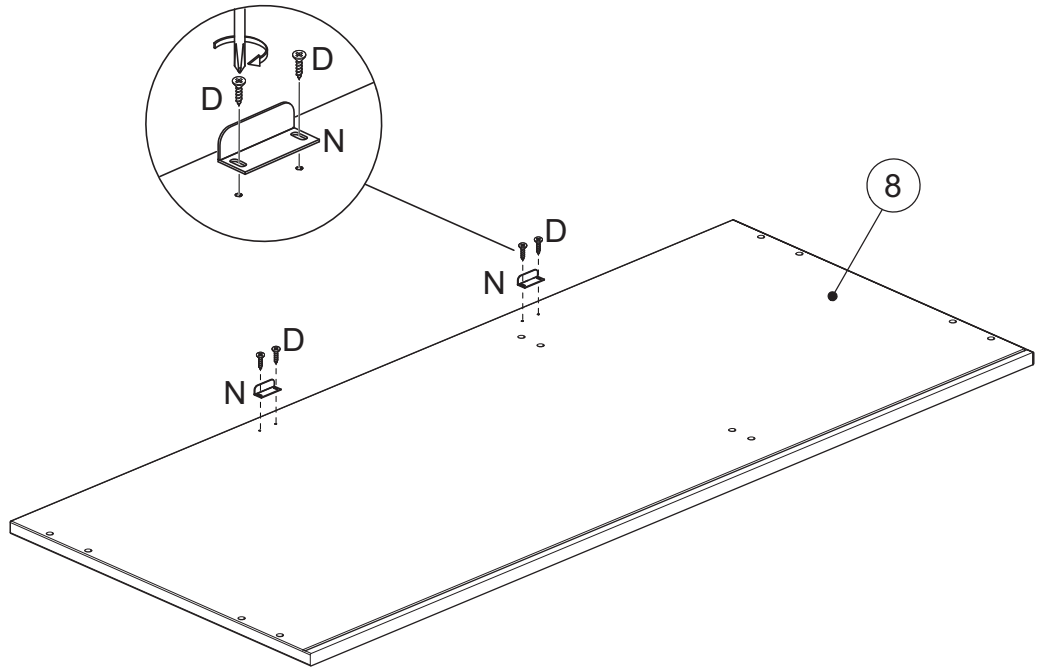


Use a cross-point screwdriver (PH2 or PZ2 is ideal) to tighten the cams and lock the panels together.

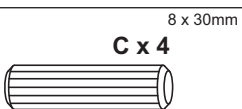
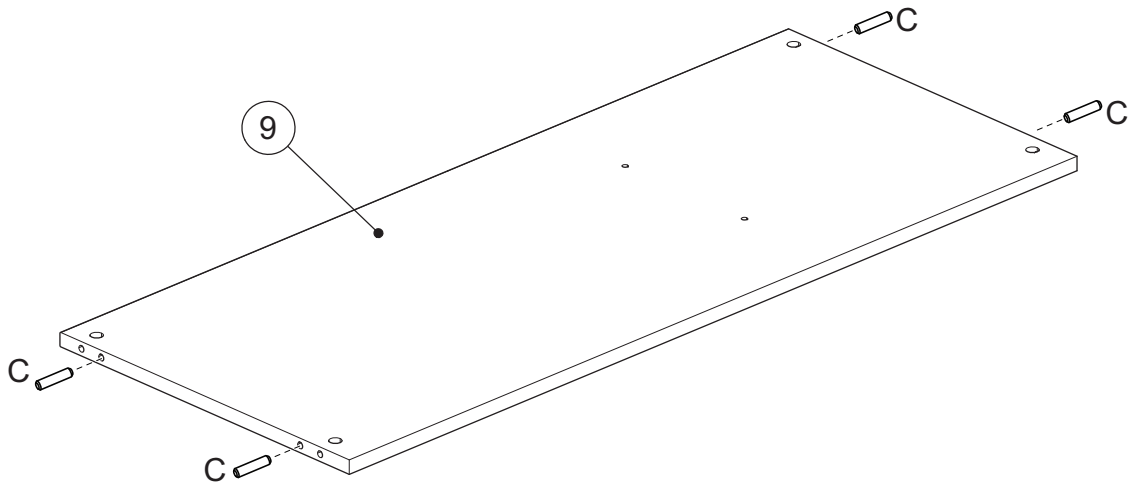


The panels are locked when each cam is turned to between 1/2 and 2/3 of a full turn (Maximum rotation)

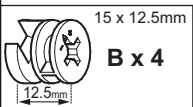
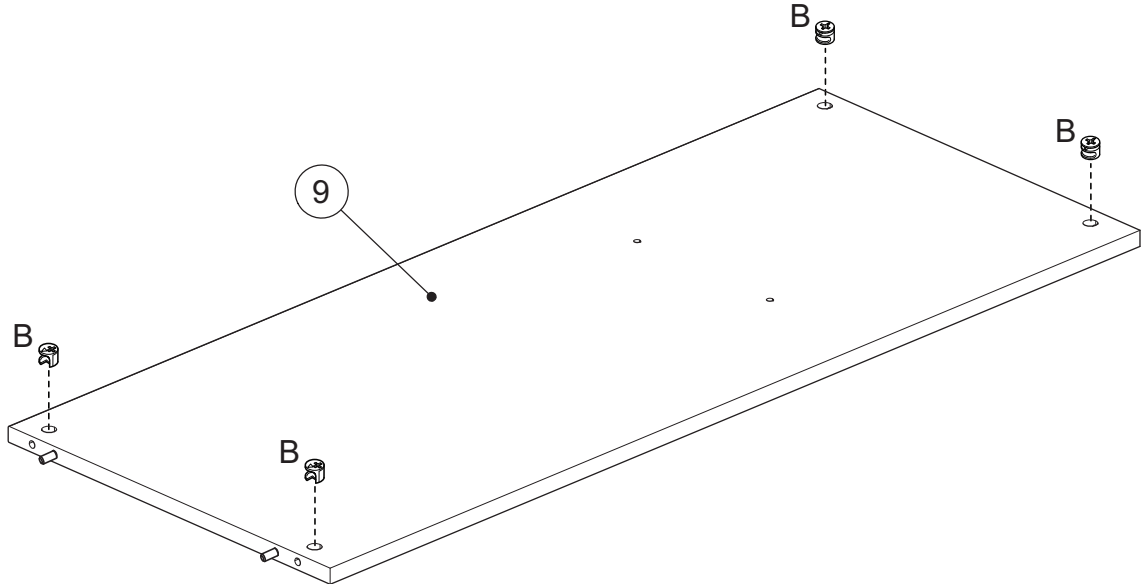
1



2

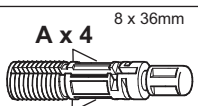
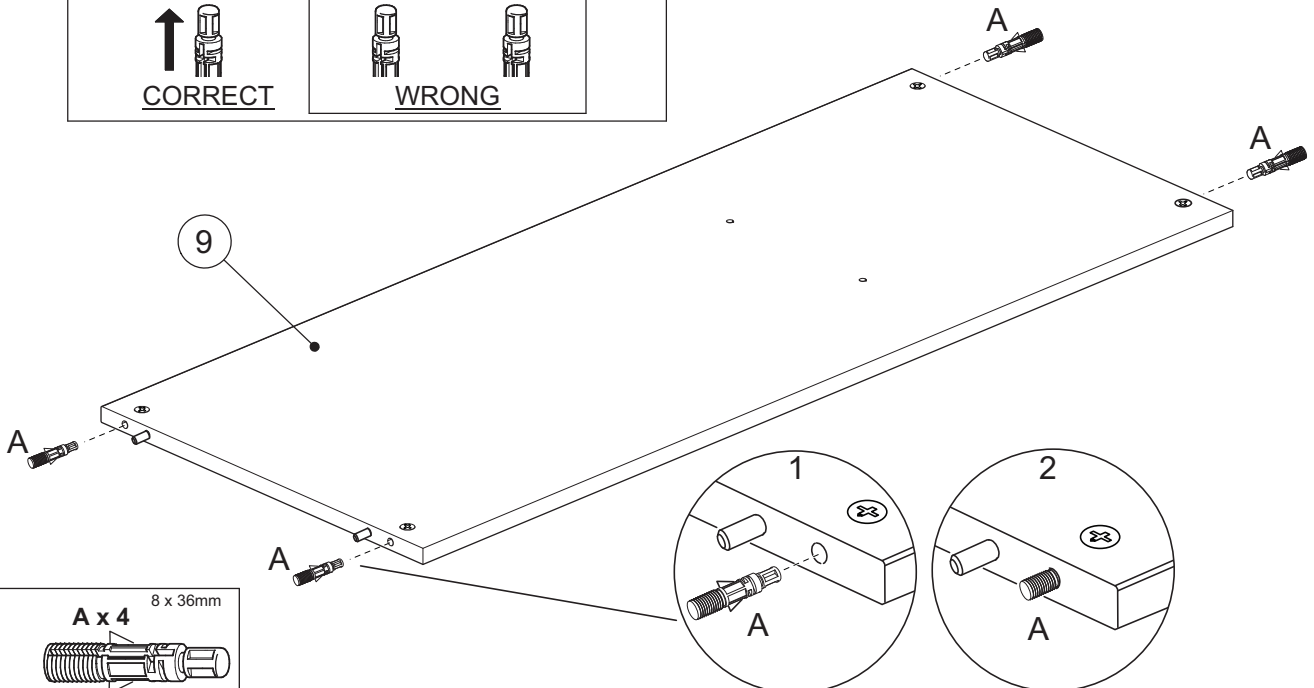
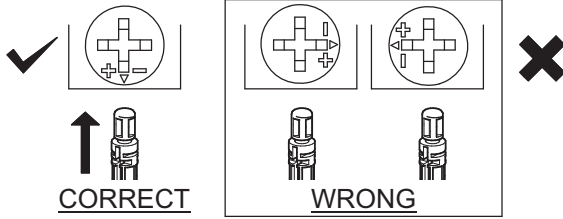


3

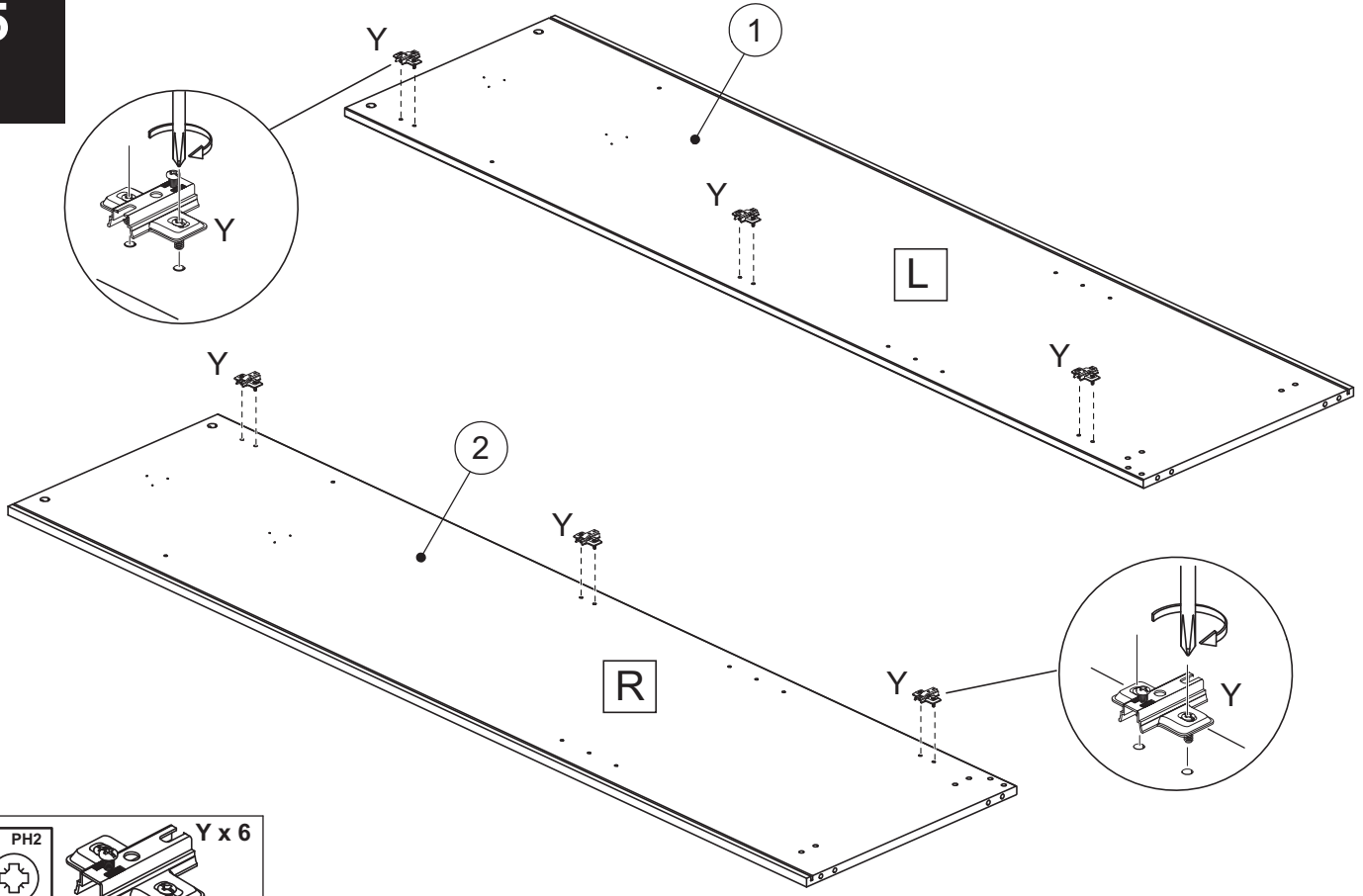


4

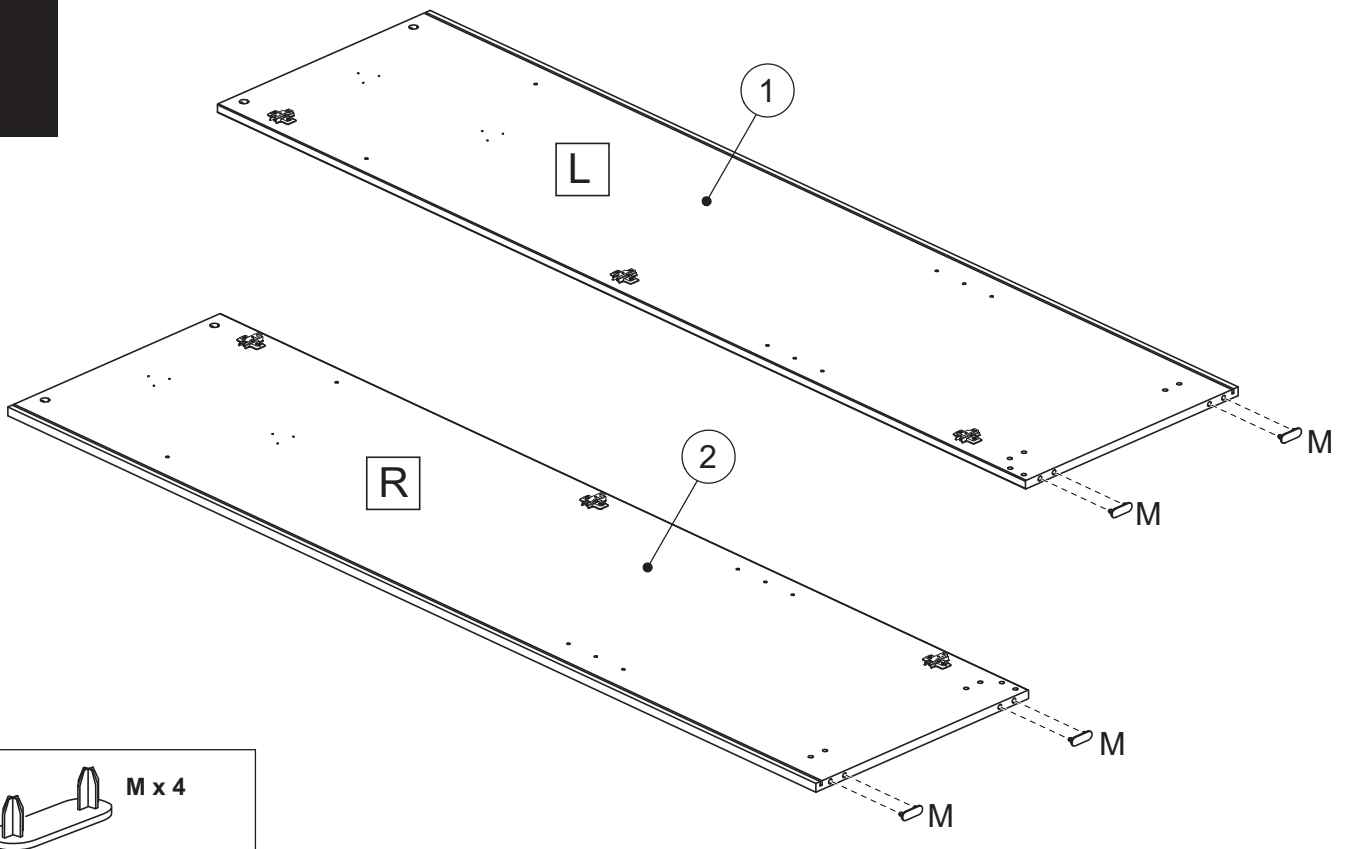
WHEN FITTING CAMS
ENSURE STARTING POSITION IS CORRECT
BEFORE YOU INSERT CONNECTING CAM-PILLAR



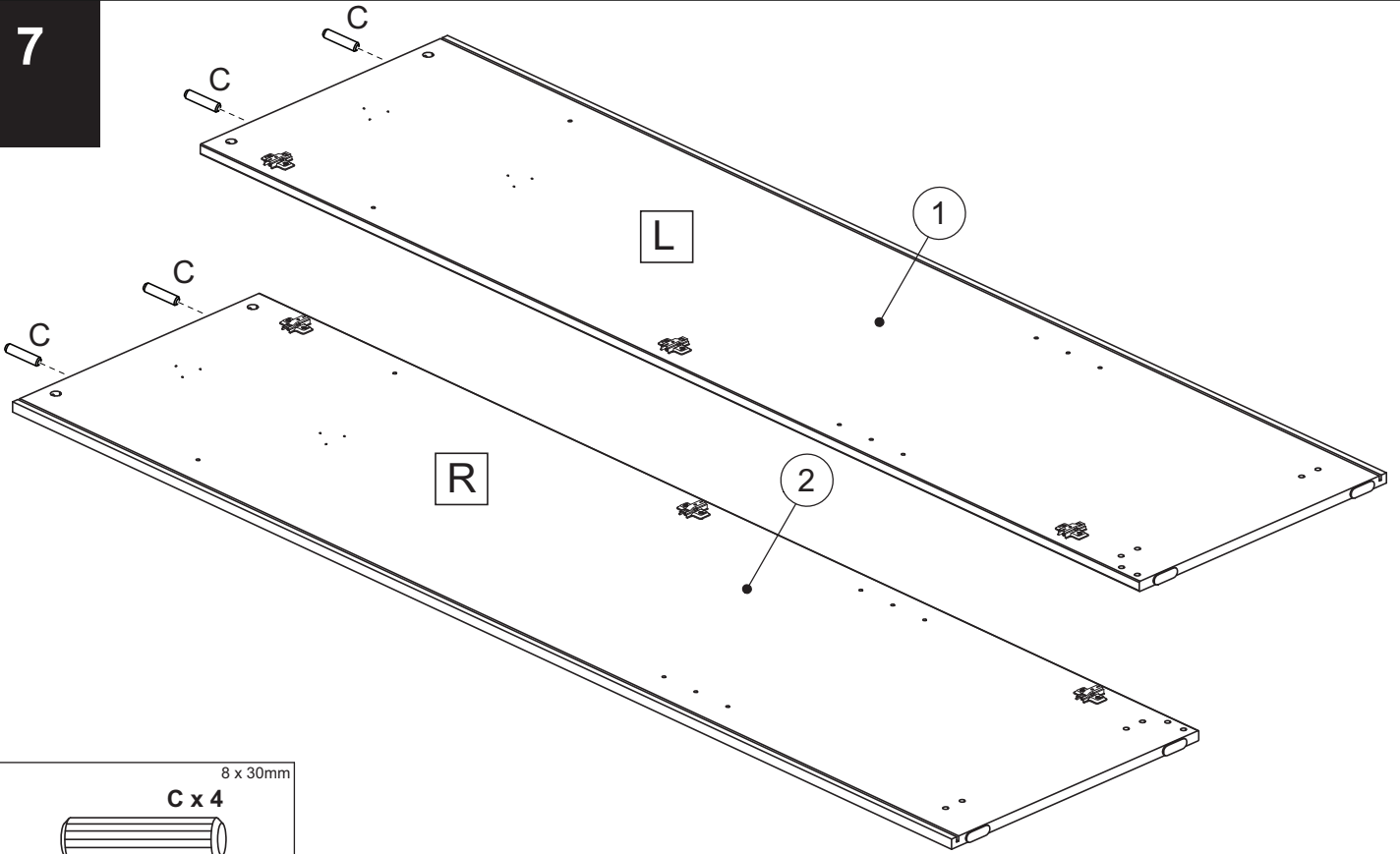
5



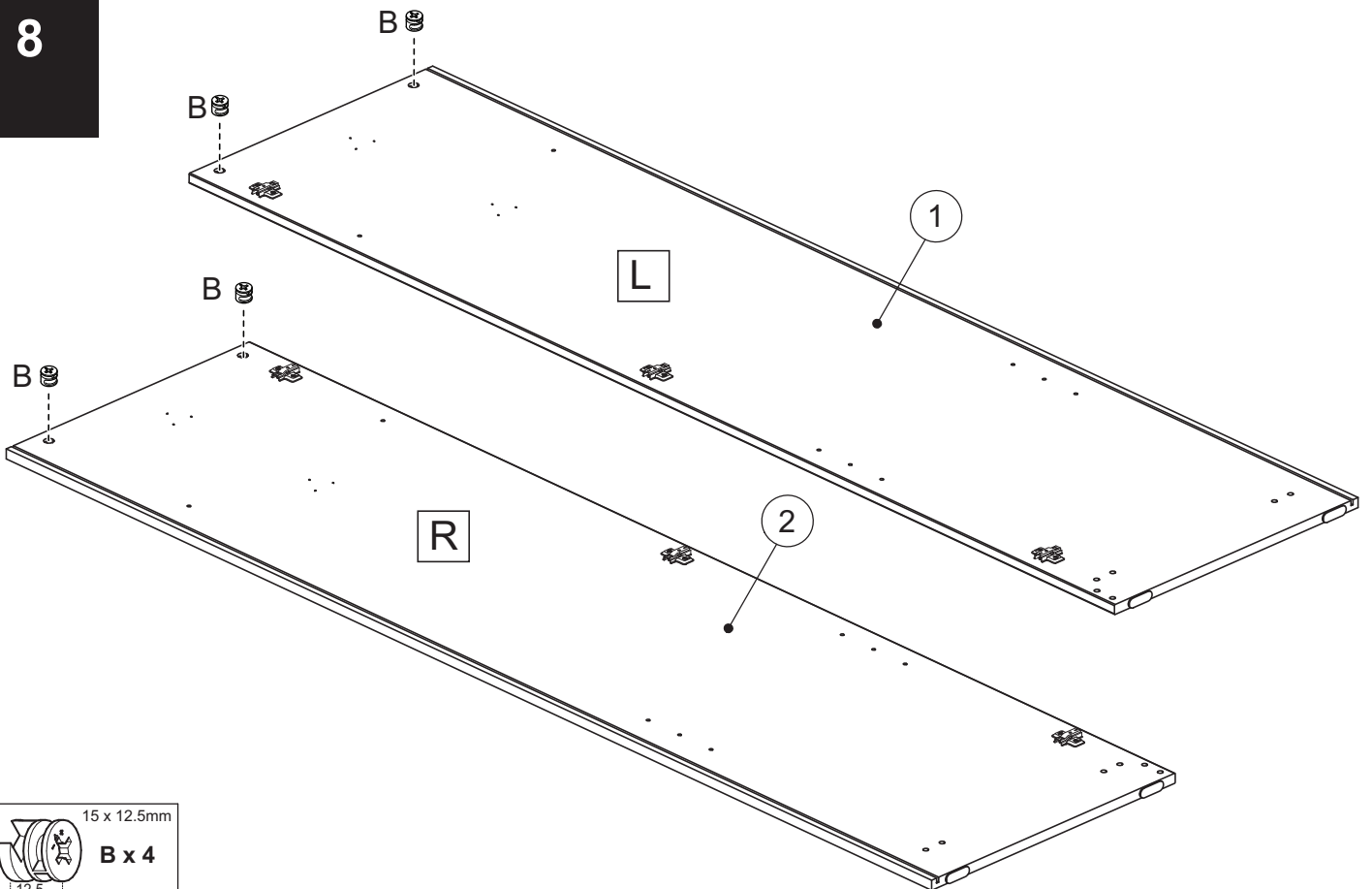
6



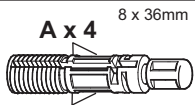
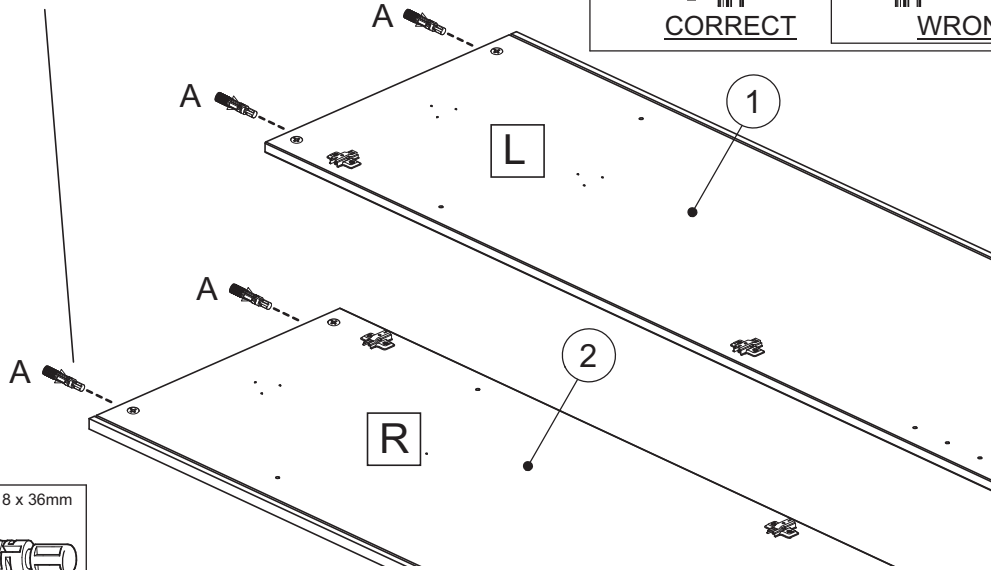
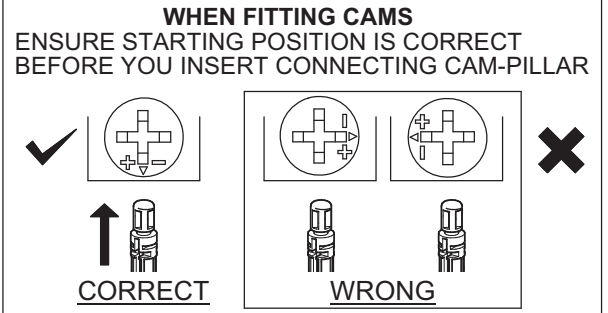
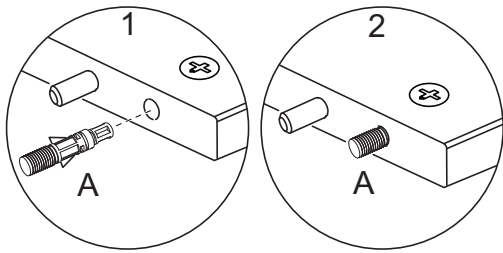
7



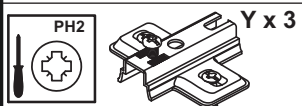
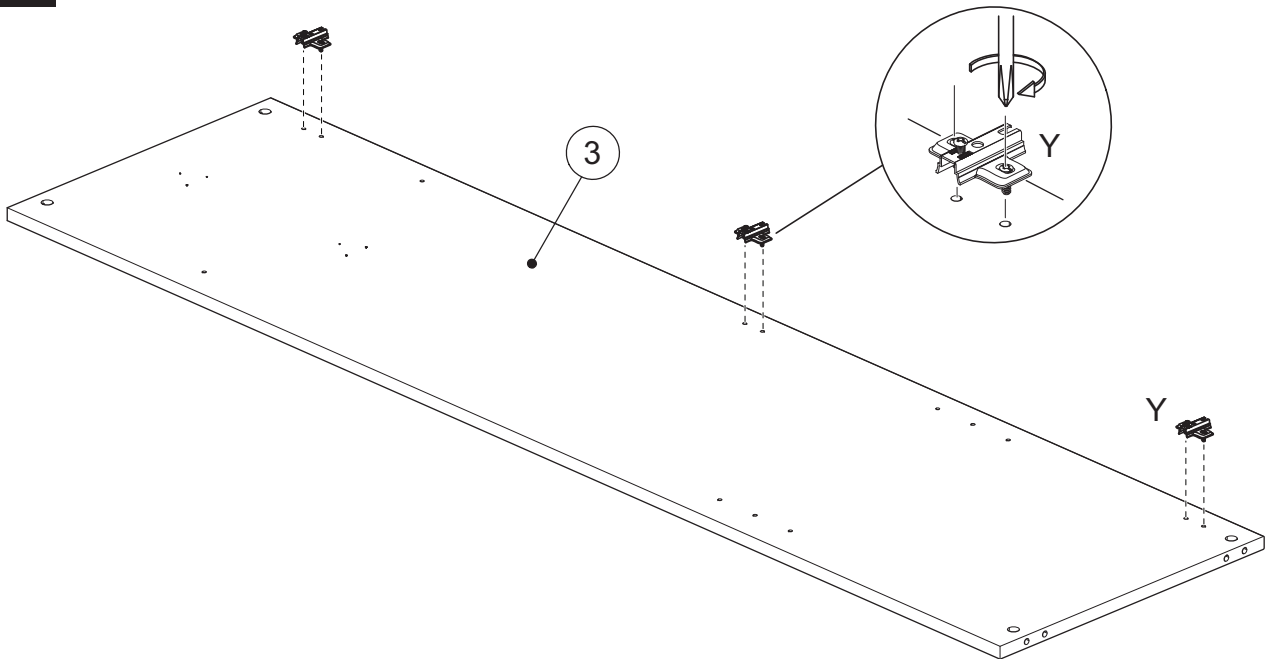
8



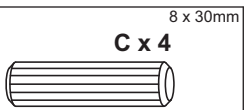
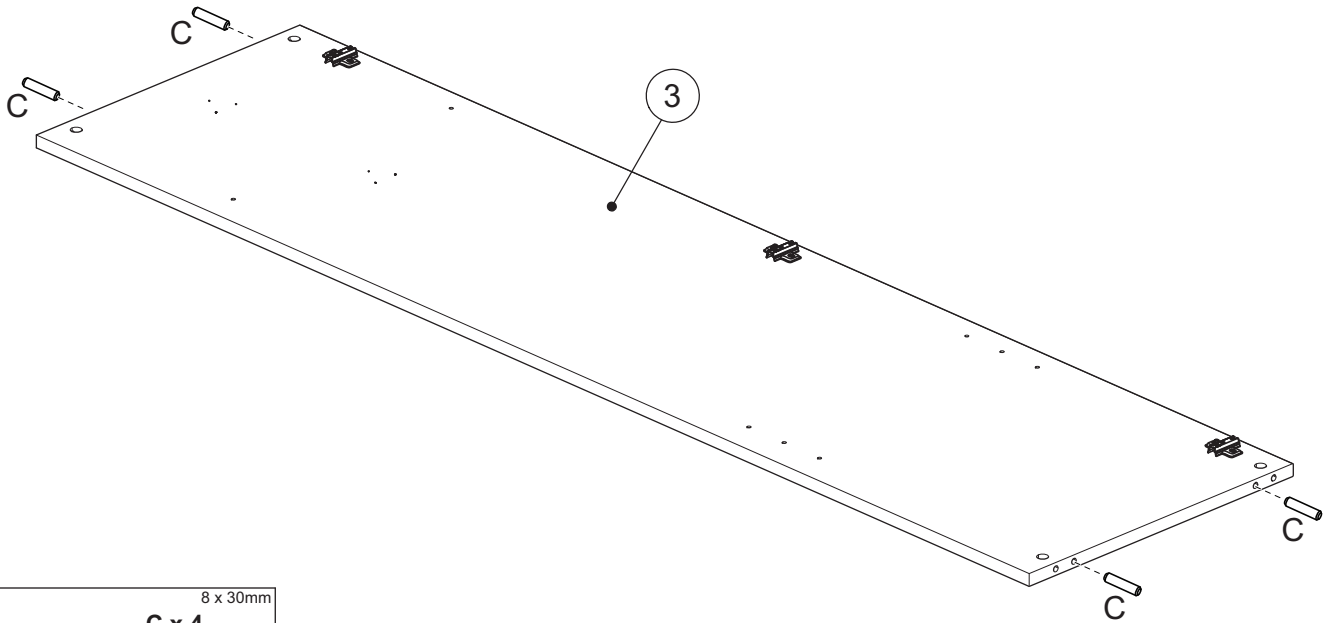
9



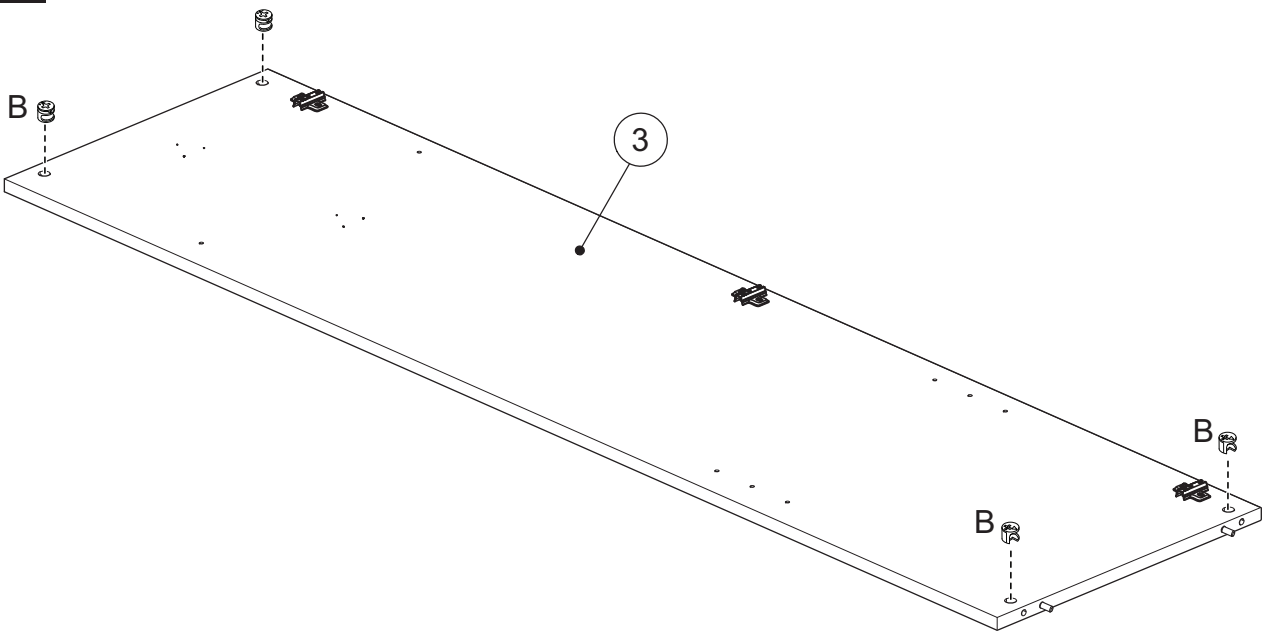
10



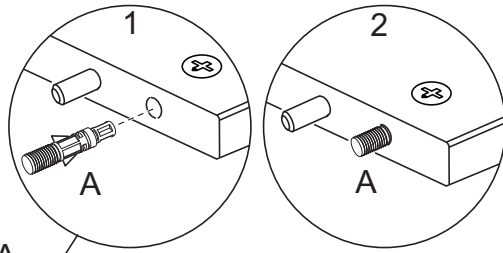
11



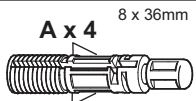
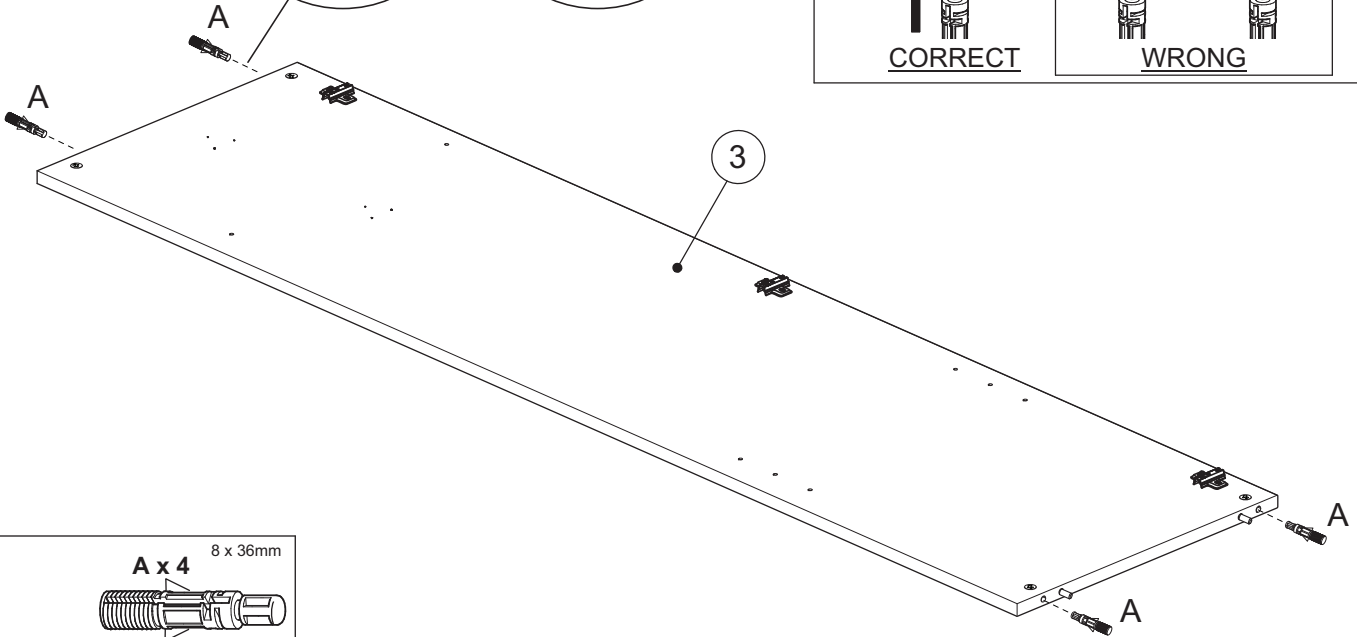
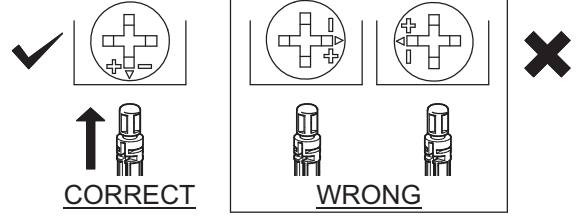
12



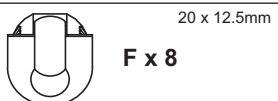
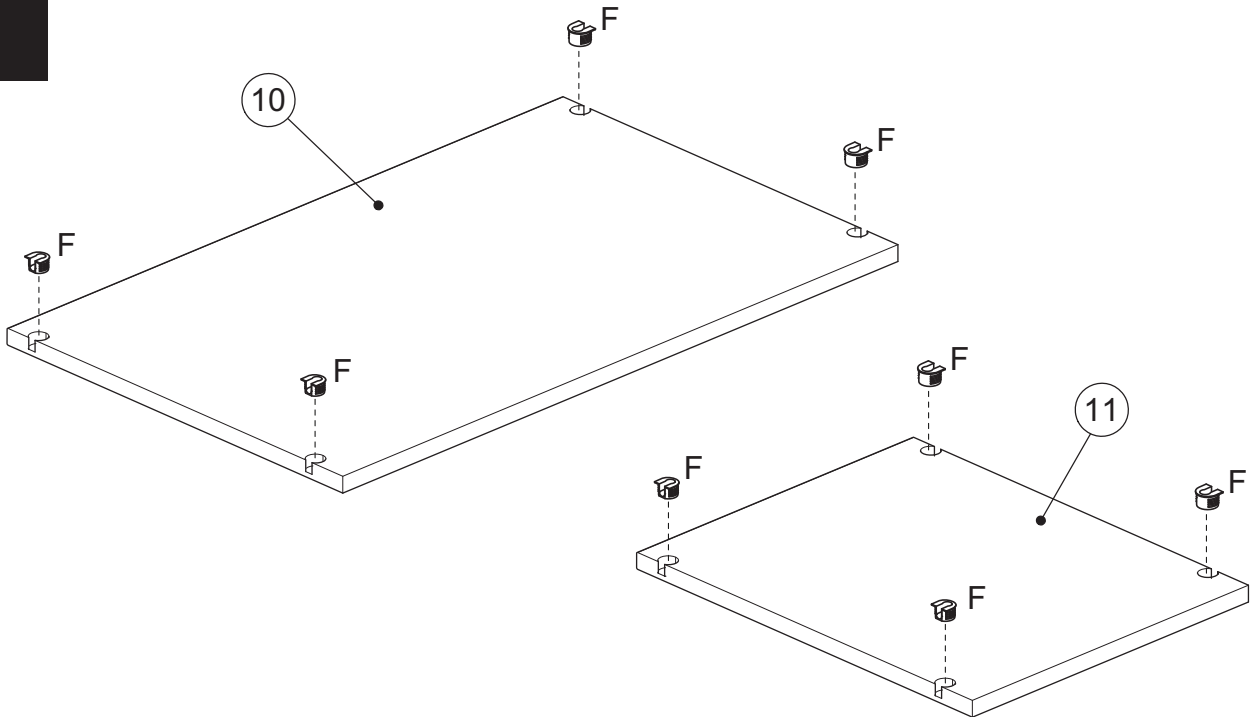
13



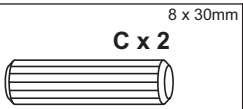
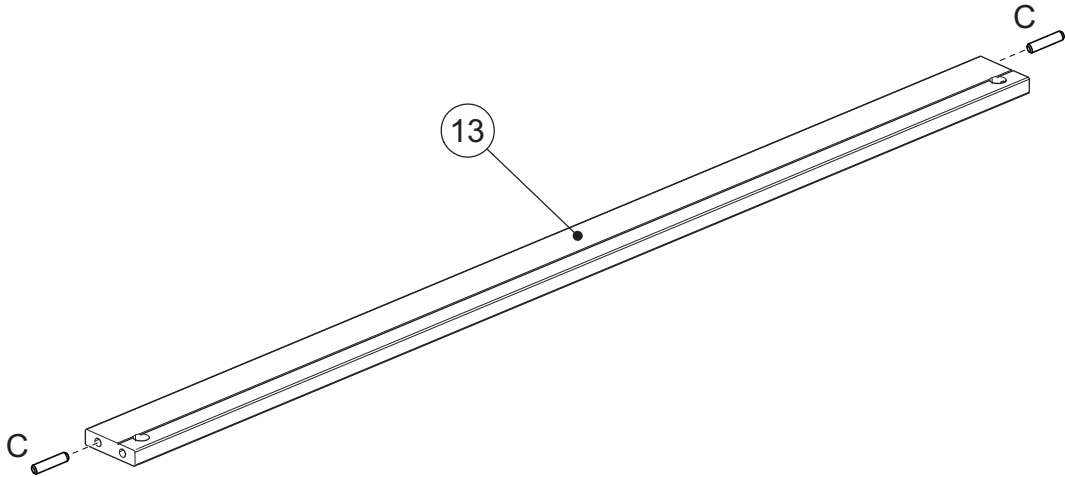
WHEN FITTING CAMS
ENSURE STARTING POSITION IS CORRECT
BEFORE YOU INSERT CONNECTING CAM-PILLAR



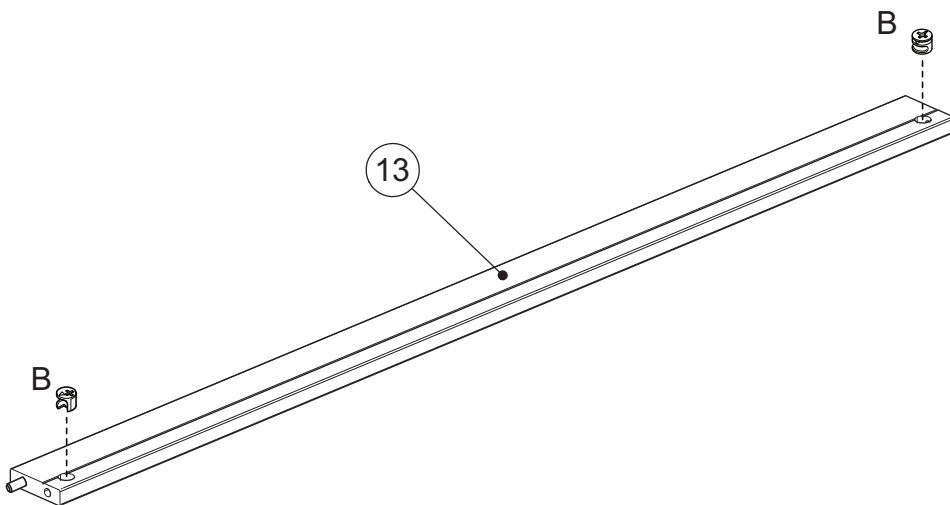
14



15

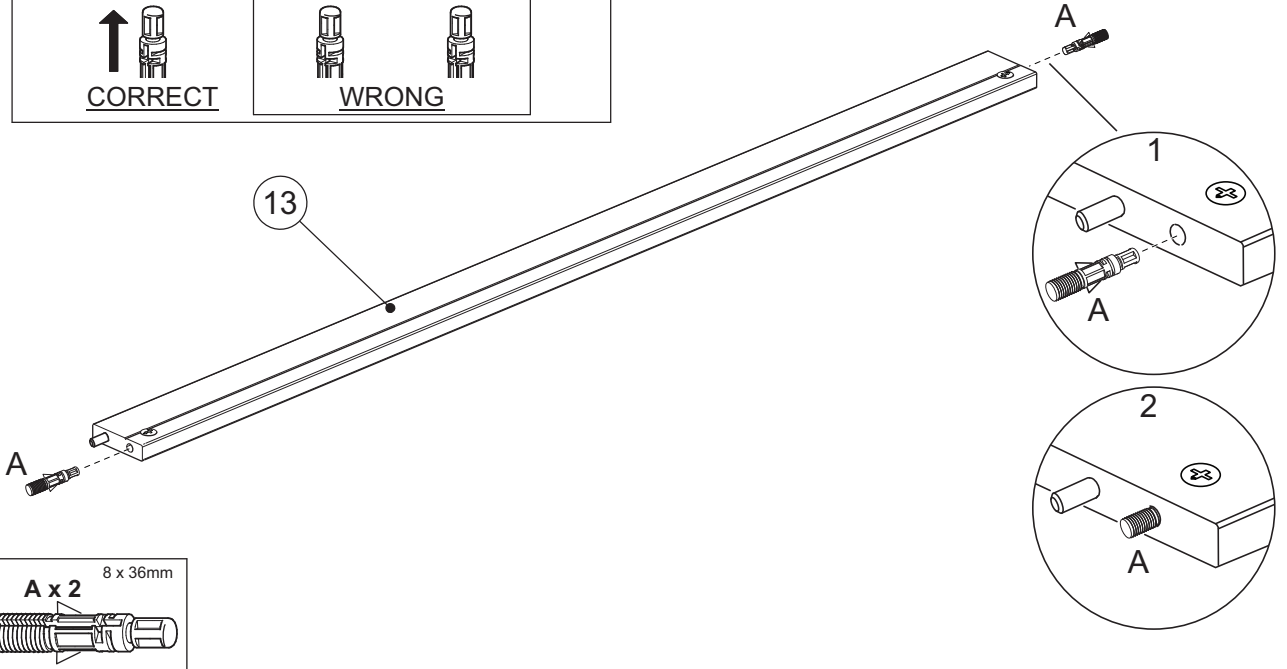
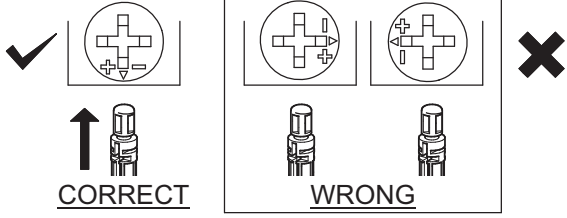


16

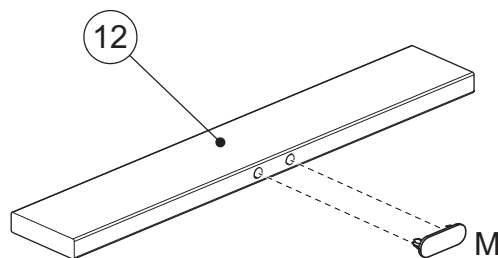


17

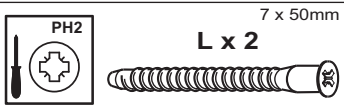
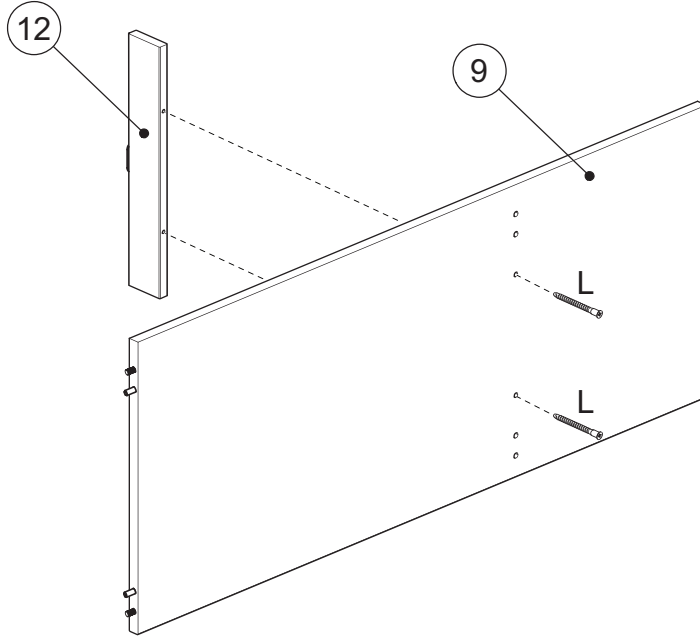
WHEN FITTING CAMS
ENSURE STARTING POSITION IS CORRECT
BEFORE YOU INSERT CONNECTING CAM-PILLAR



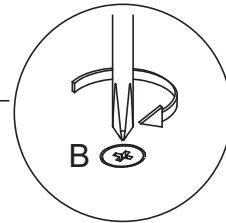
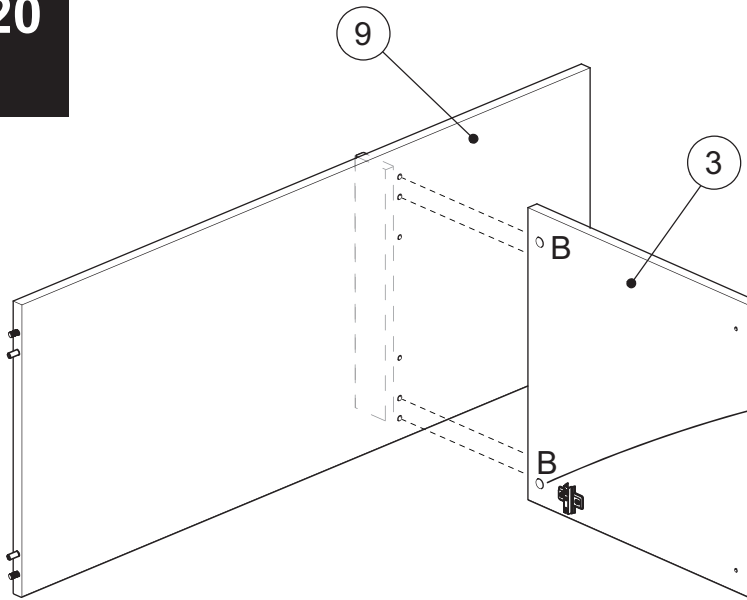
18



19



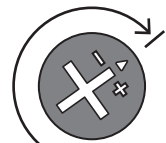
20



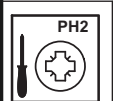
DON'T STOP UNTIL THE 2 O'CLOCK LOCK
 TURN THE CAM IN A CLOCKWISE DIRECTION UNTIL THE
 ARROW POINTS IN THE POSITIONS SHOWN IN THE
 DIAGRAMS BELOW



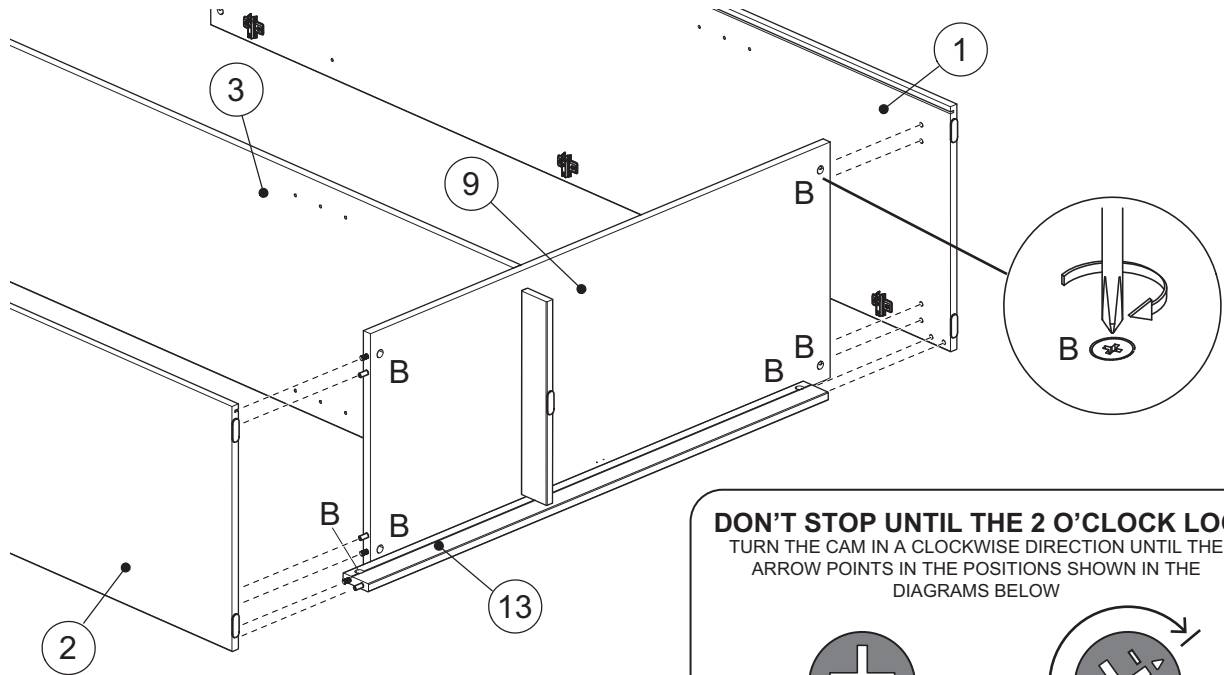
START



CORRECT
 LOCK



21



DON'T STOP UNTIL THE 2 O'CLOCK LOCK

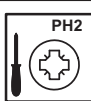
TURN THE CAM IN A CLOCKWISE DIRECTION UNTIL THE ARROW POINTS IN THE POSITIONS SHOWN IN THE DIAGRAMS BELOW



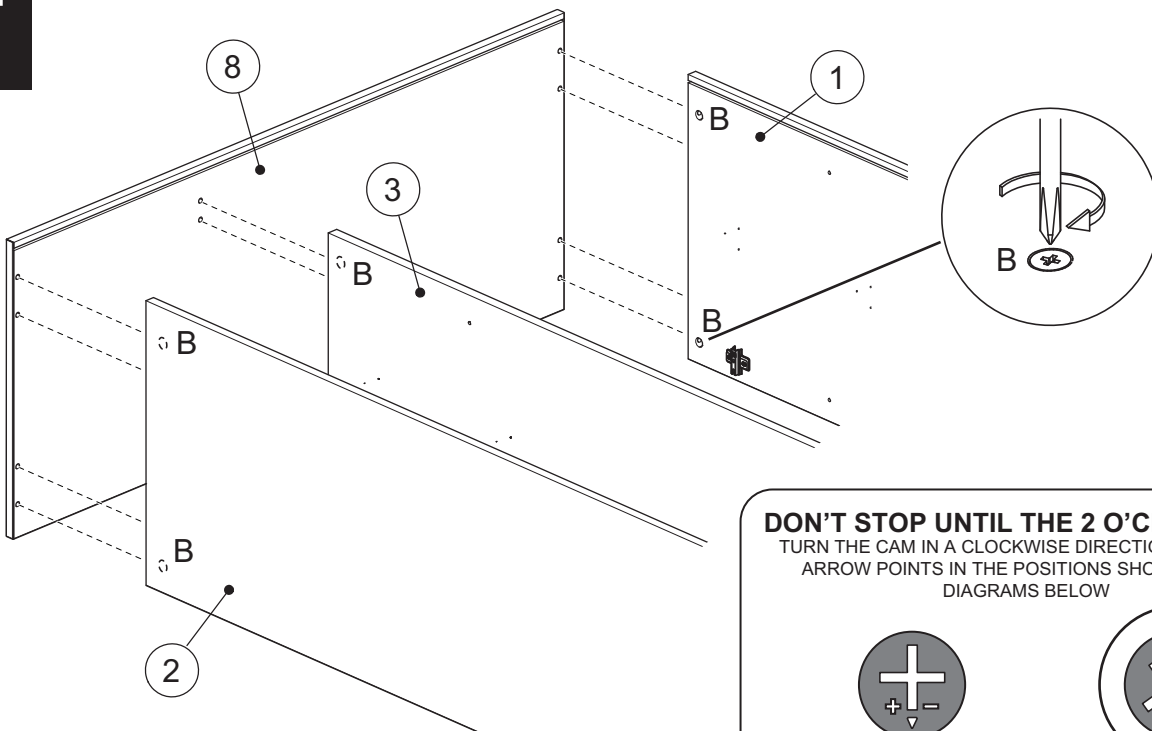
START



CORRECT LOCK



22

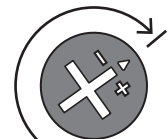


DON'T STOP UNTIL THE 2 O'CLOCK LOCK

TURN THE CAM IN A CLOCKWISE DIRECTION UNTIL THE ARROW POINTS IN THE POSITIONS SHOWN IN THE DIAGRAMS BELOW



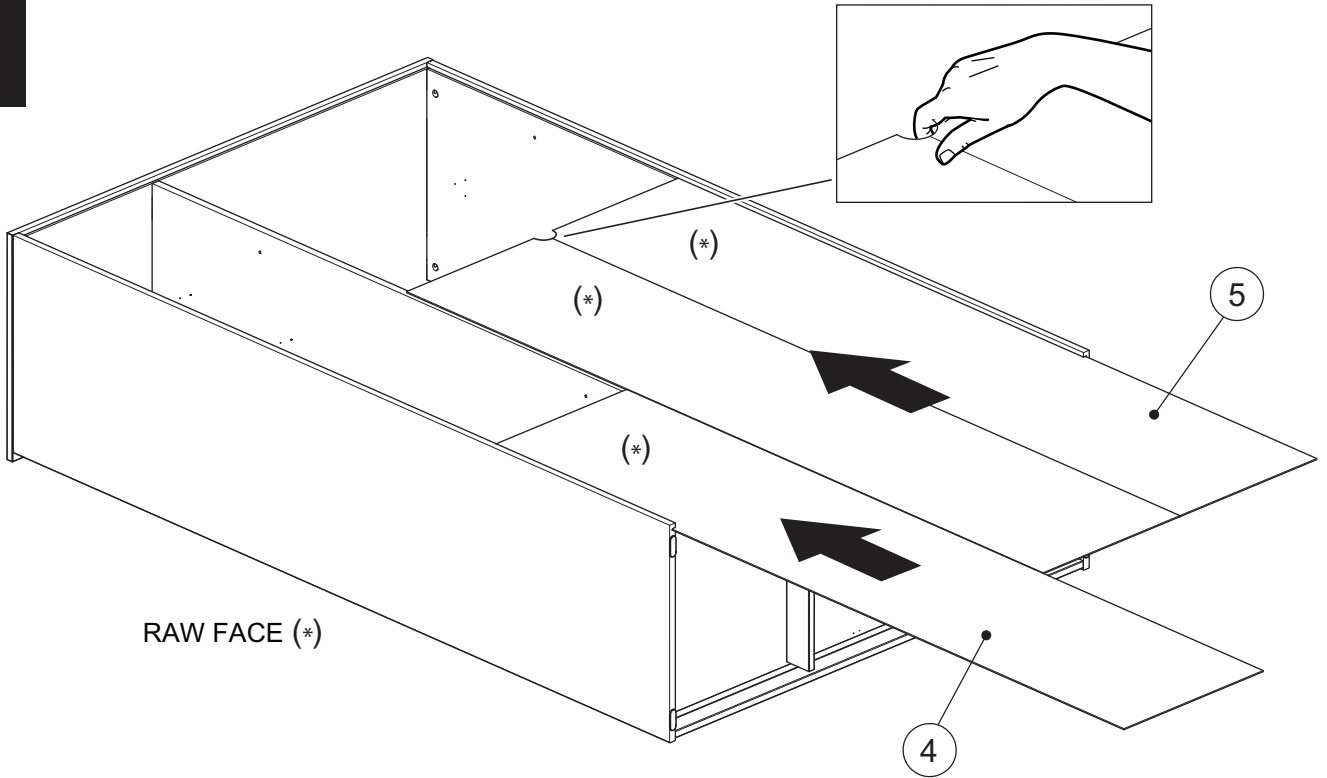
START



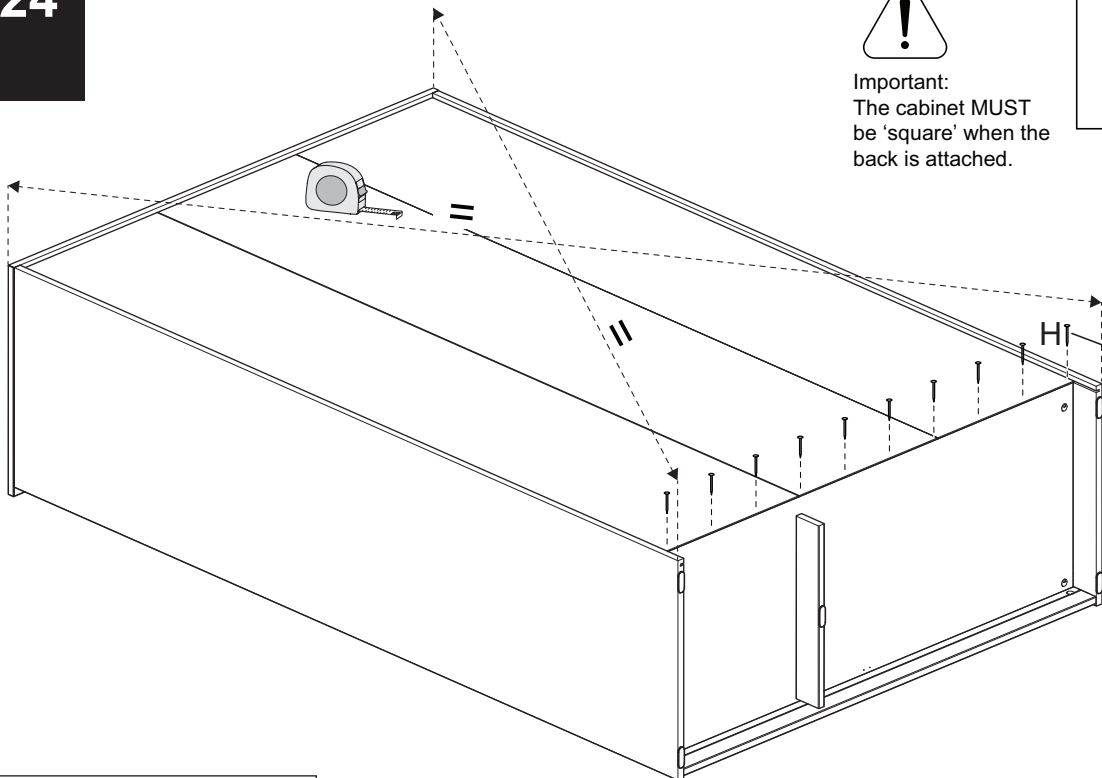
CORRECT LOCK



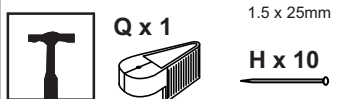
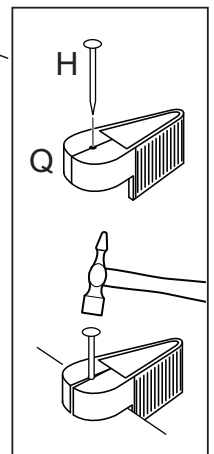
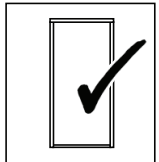
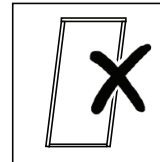
23



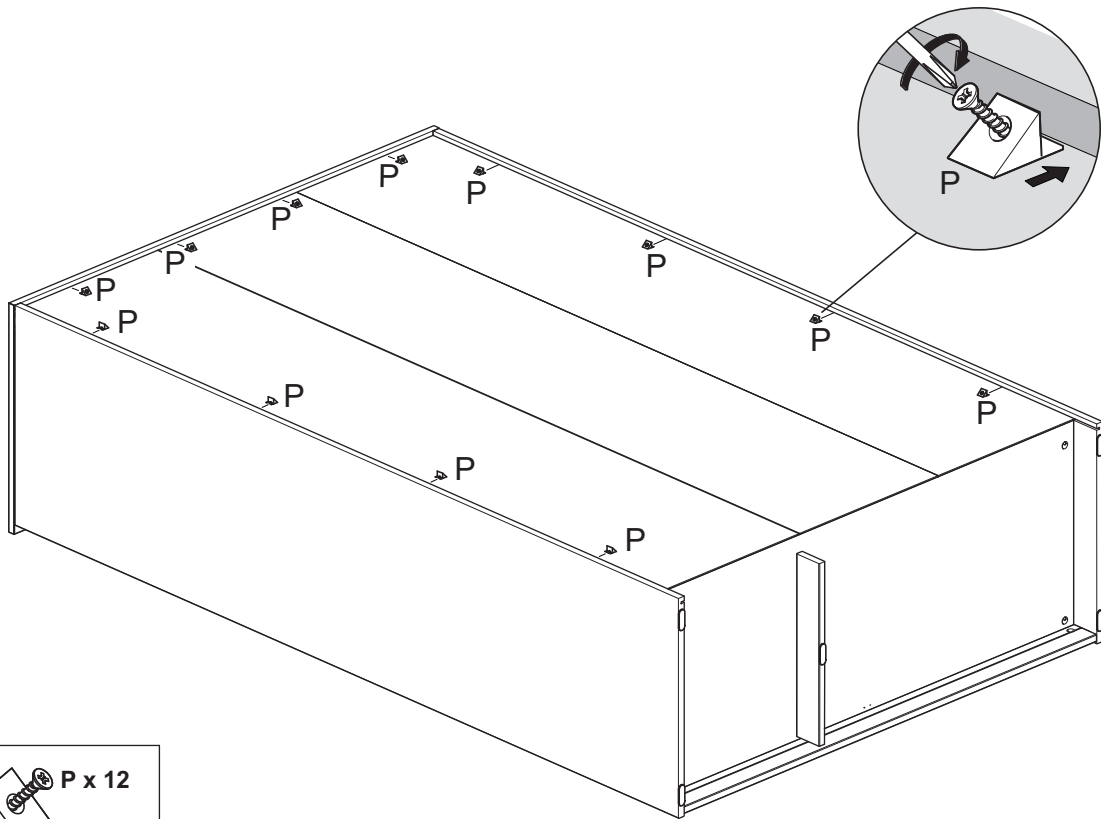
24



Important:
The cabinet **MUST**
be 'square' when the
back is attached.



25

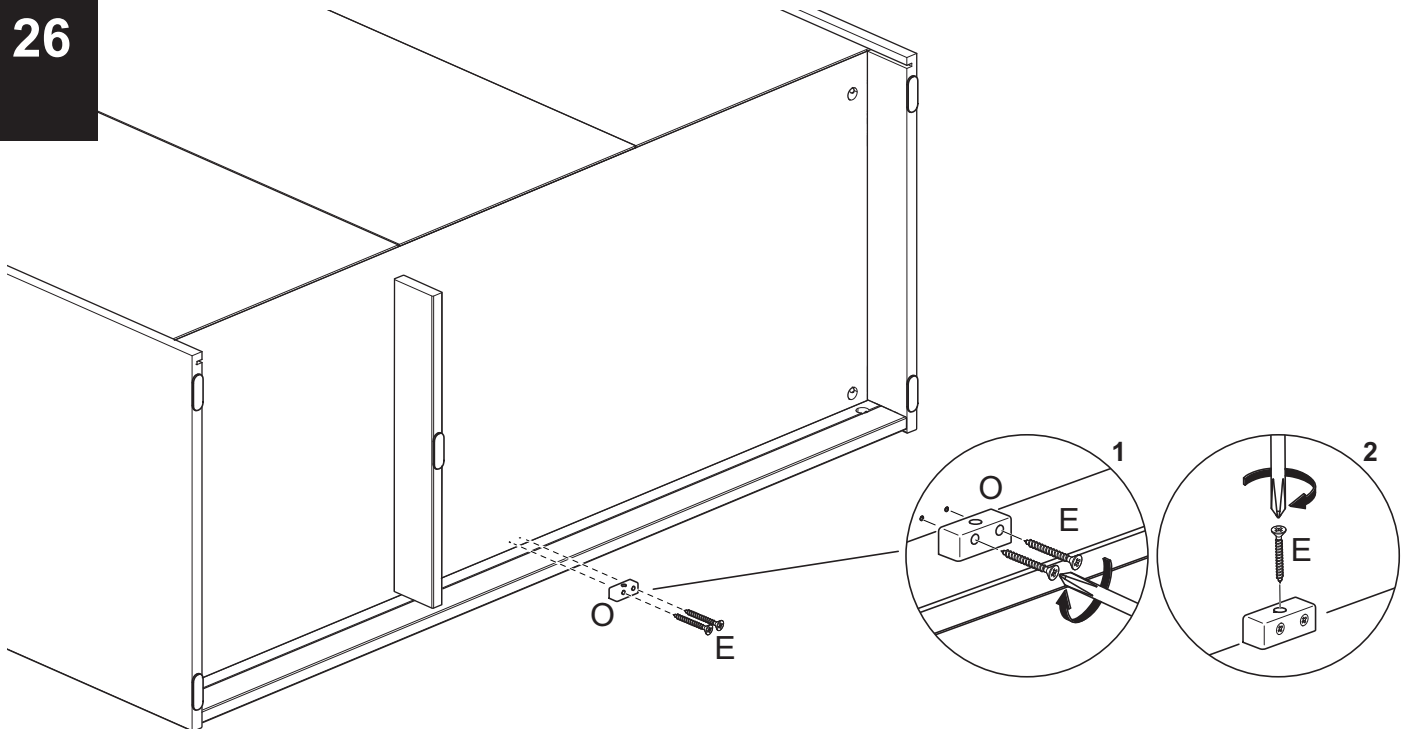


PH2



P x 12

26



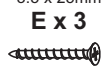
PH2

13x13x35mm

3.5 x 25mm

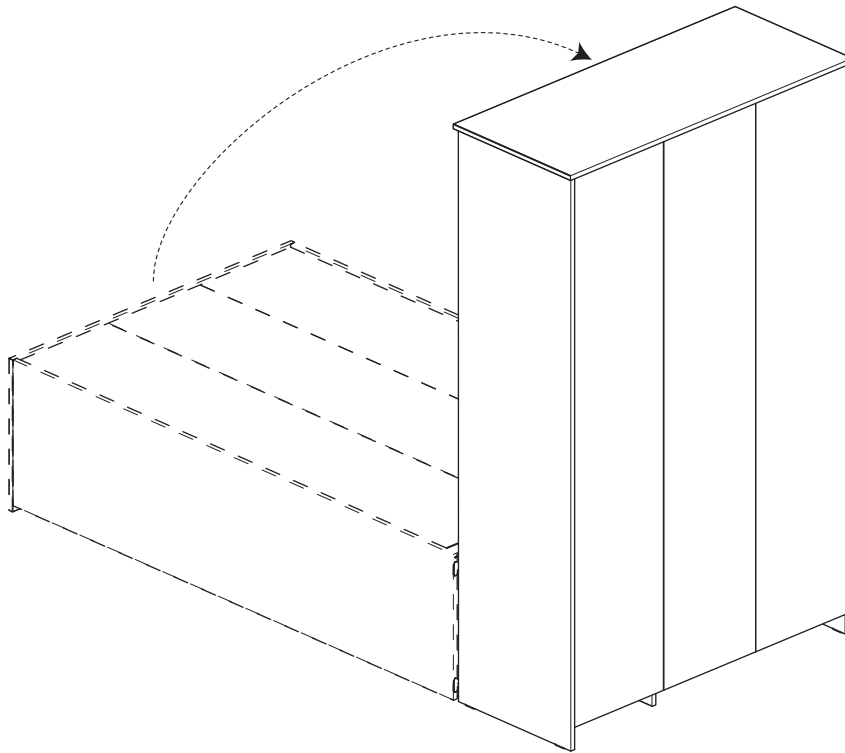


O x 1

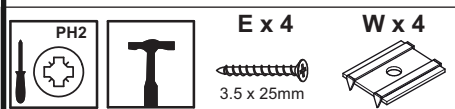
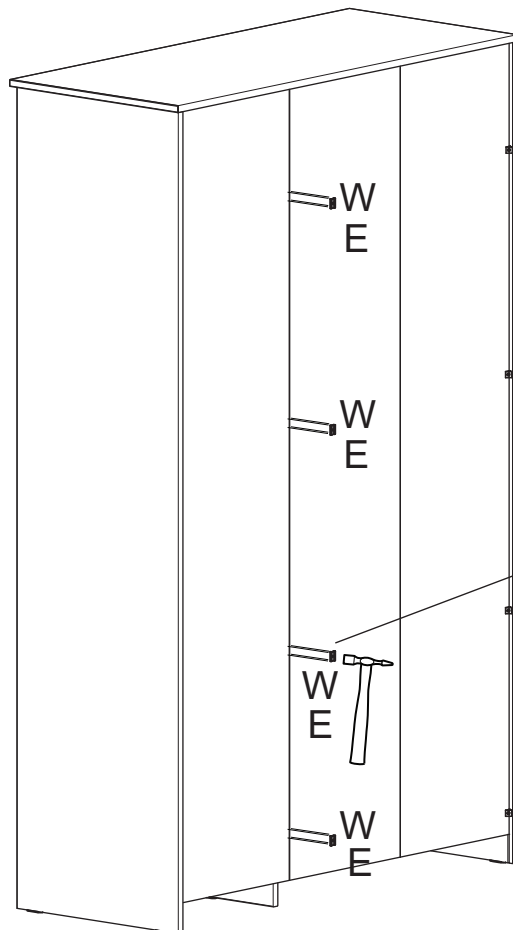


E x 3

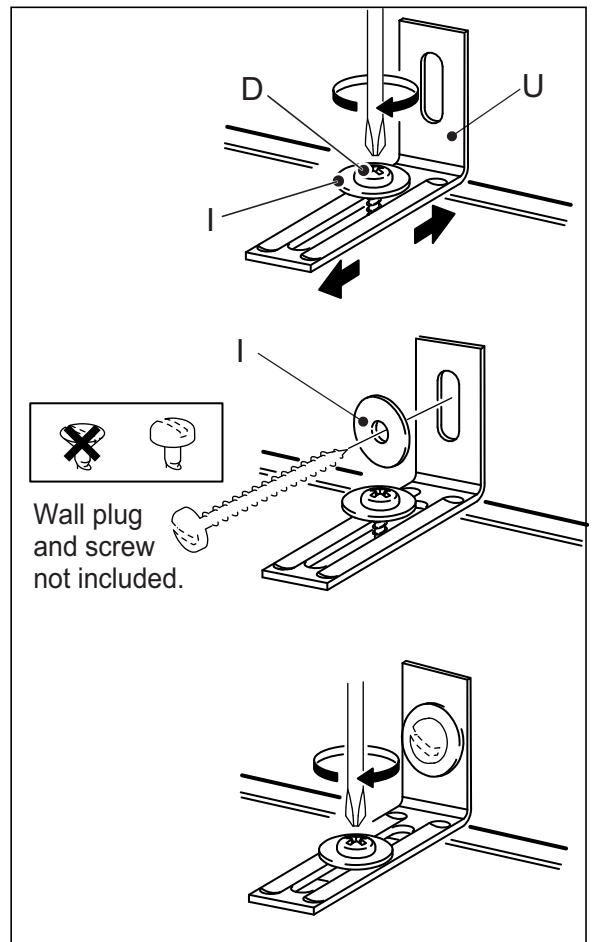
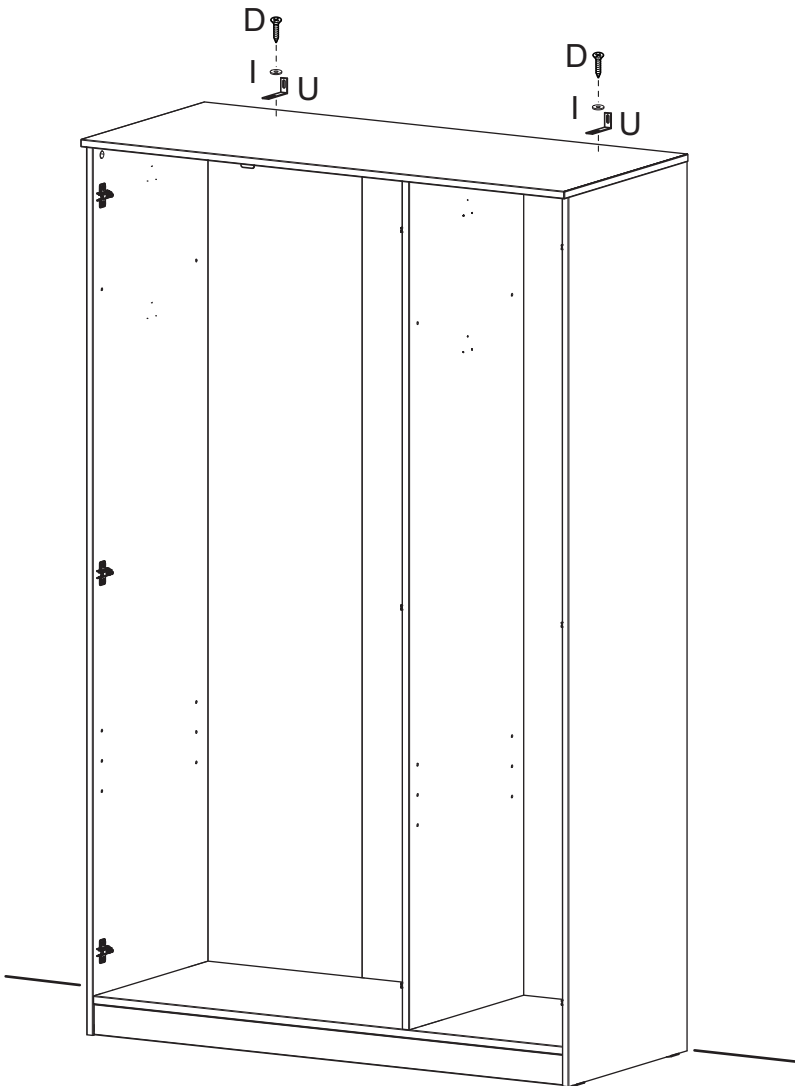
27



28

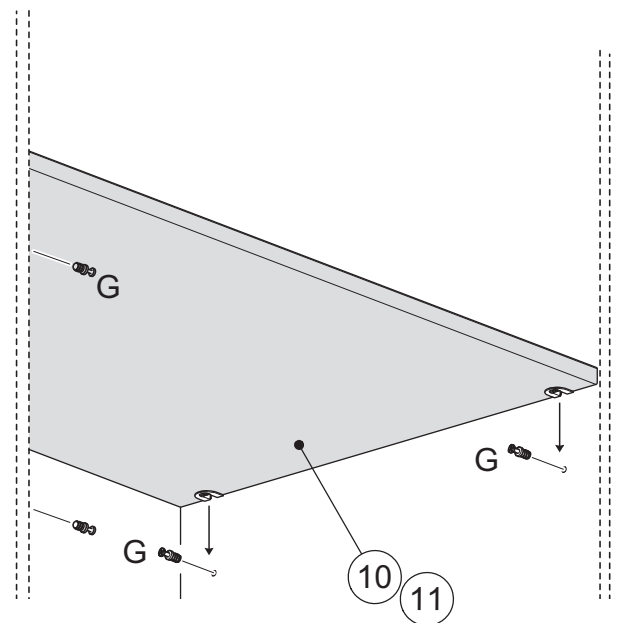
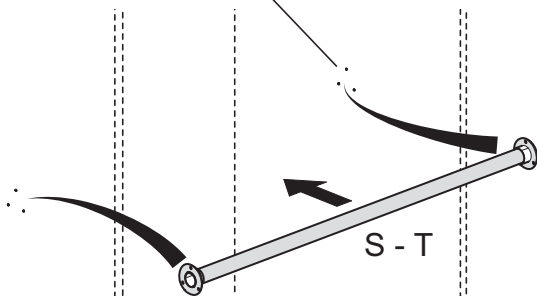
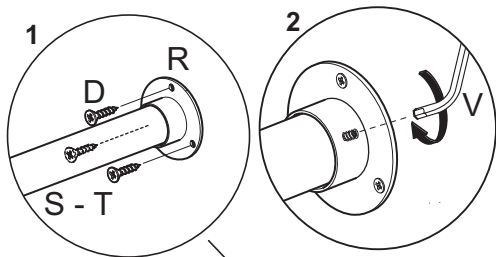
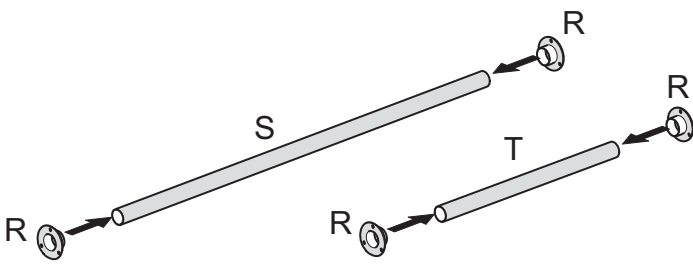
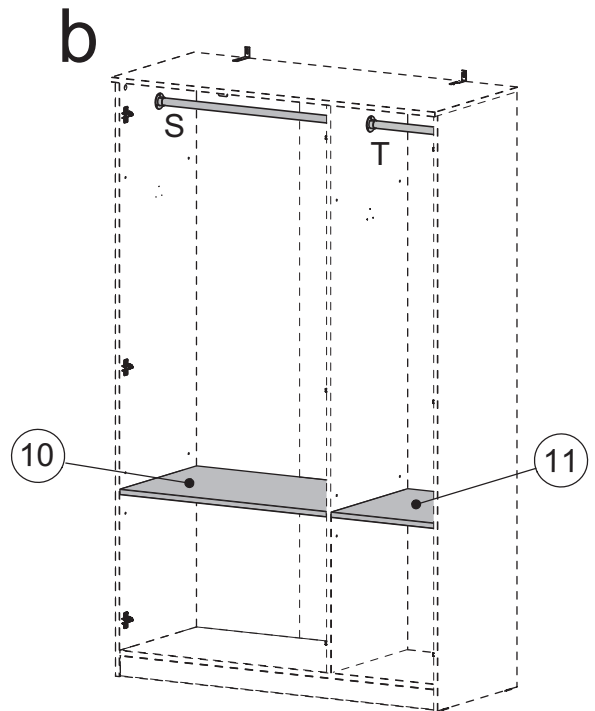
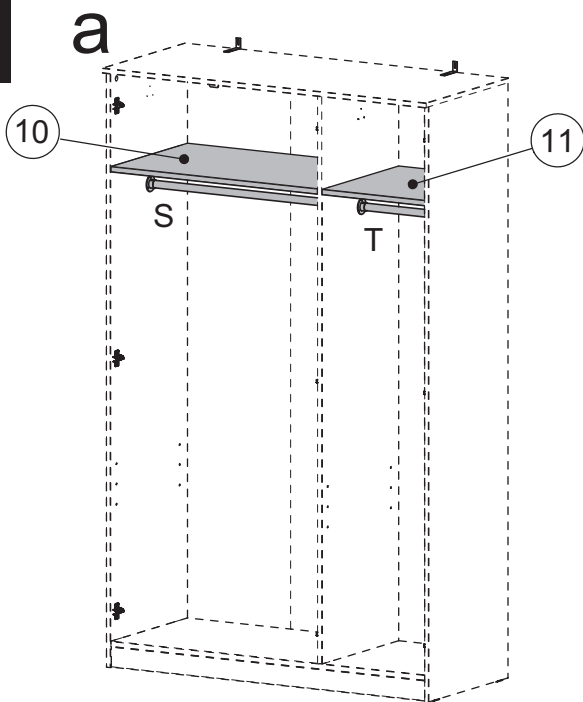


29



	76x32x15mm	Ø5 x 15mm	3.5 x 15mm
	U x 2		D x 2

30



Ø25x746mm

S x 1



Ø25x370mm

T x 1



R x 4



3.5 x 15mm

D x 12



V x 1

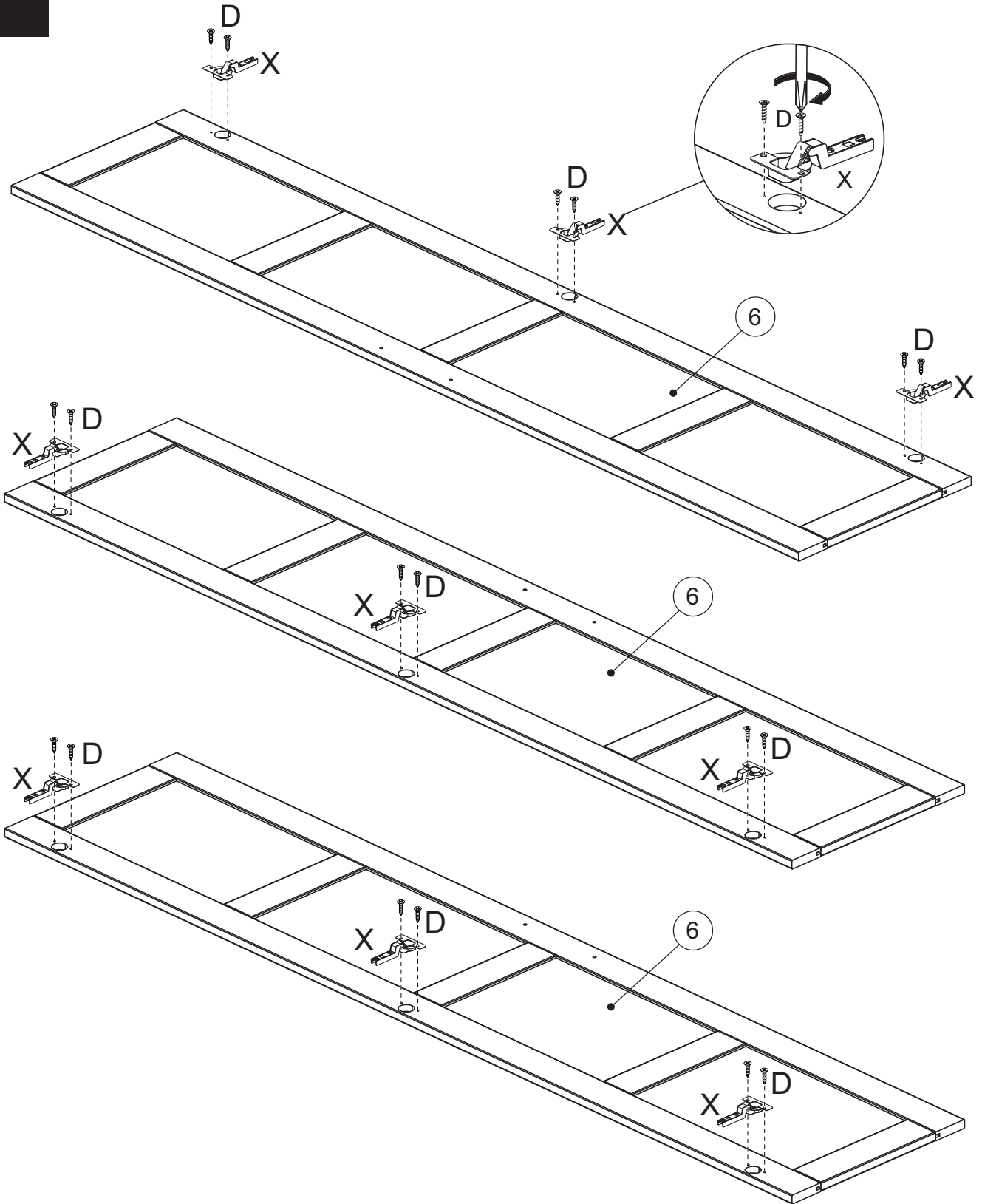


9 x 23mm

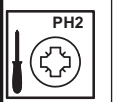
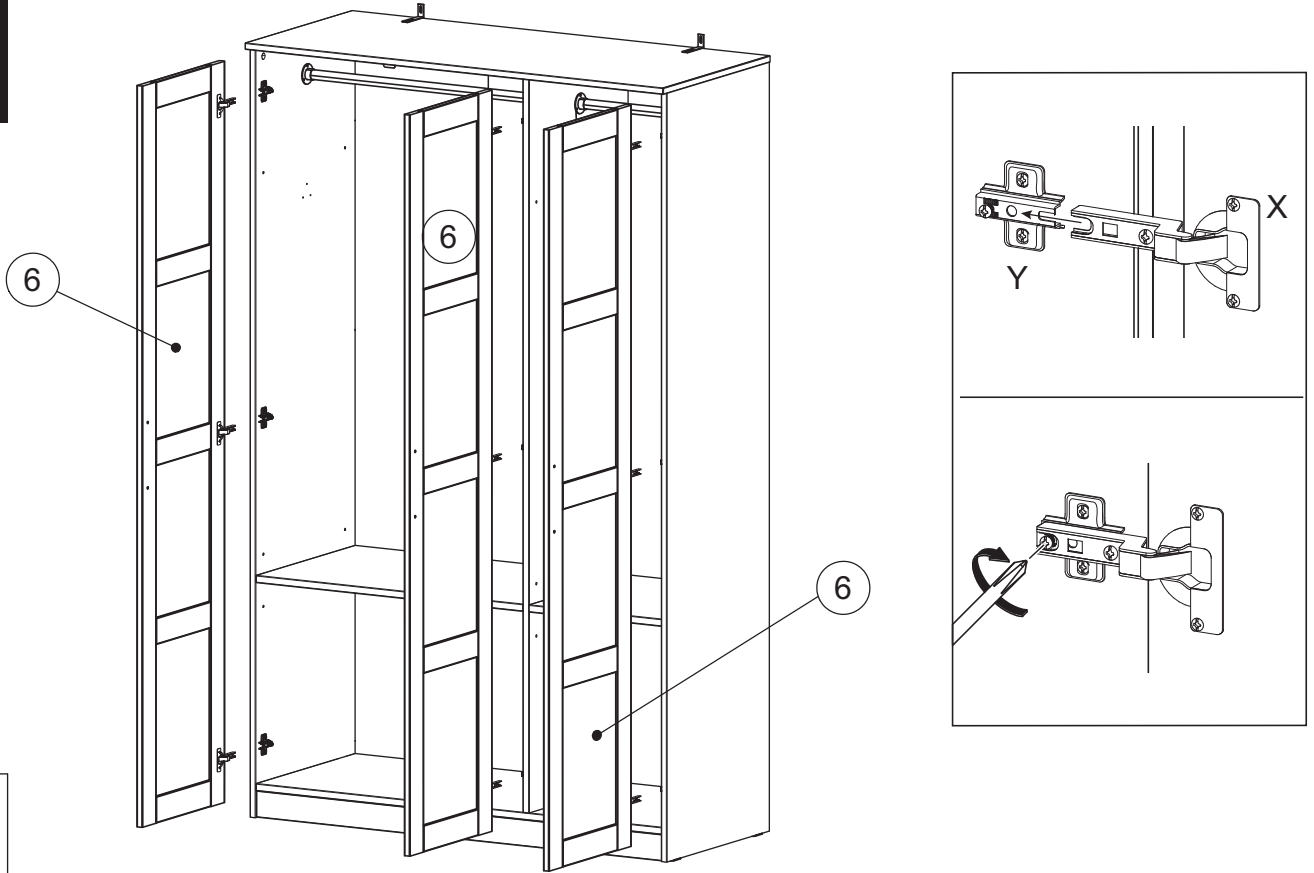
G x 8



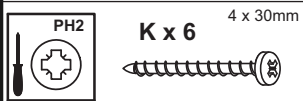
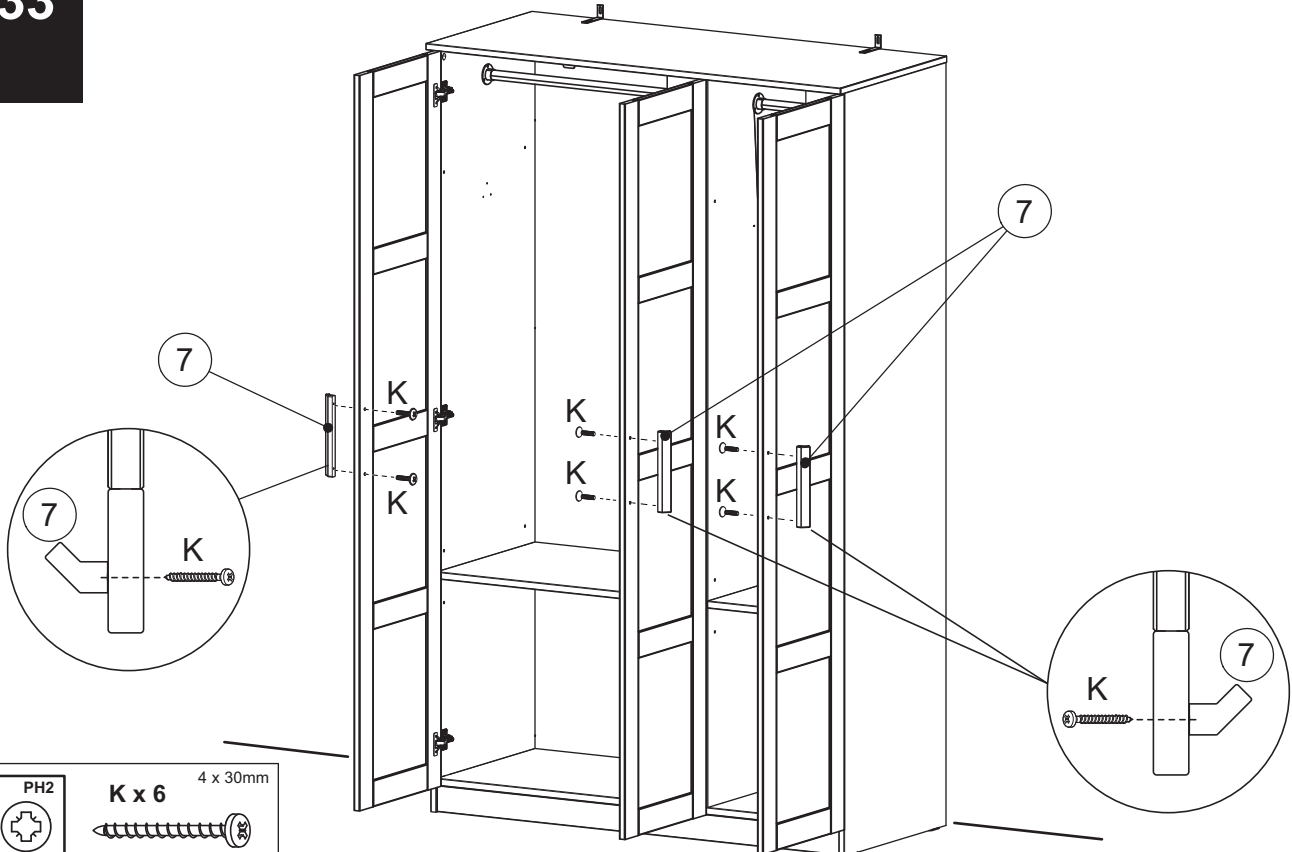
31



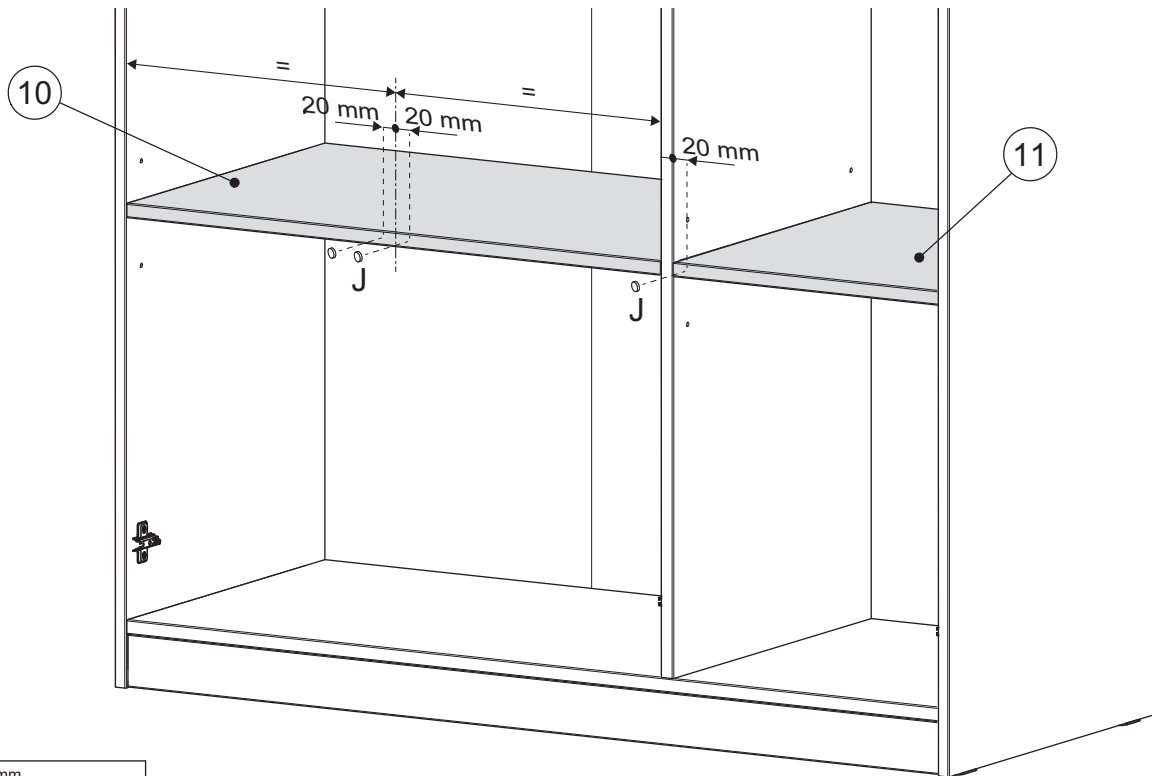
32



33



34

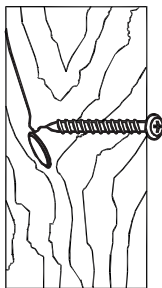


Ø10 x 15mm

J x 3

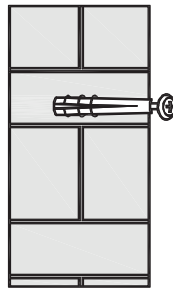


Wall fixing - if in doubt seek professional advice



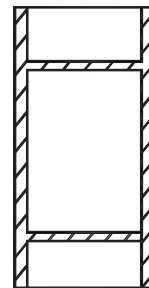
Wood

If fixing to wood make sure that it isn't chipboard as screws can easily pull away from the core structure



Brick or Masonry

Use an appropriate wall plug provided you are sure your wall is sound.



Cavity wall

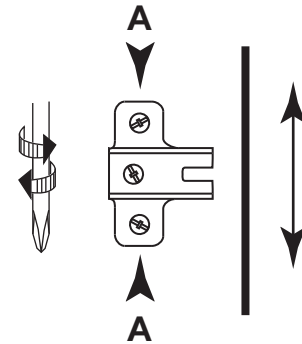
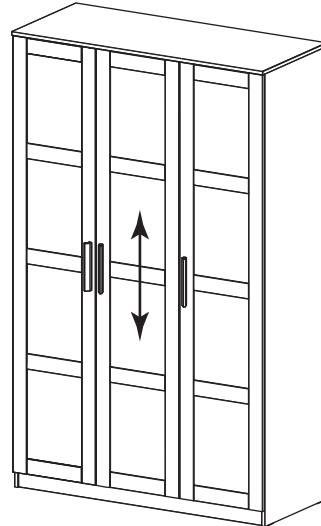
Special toggle wall plugs are needed. Seek expert advice.

HINGE ADJUSTMENT INSTRUCTIONS

a: Height adjustment

Loosen screws 'A' on fixing plates and move door up or down as required. Retighten screws 'A'.

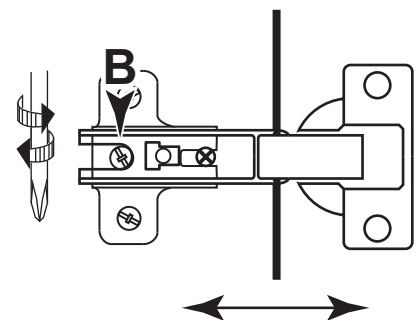
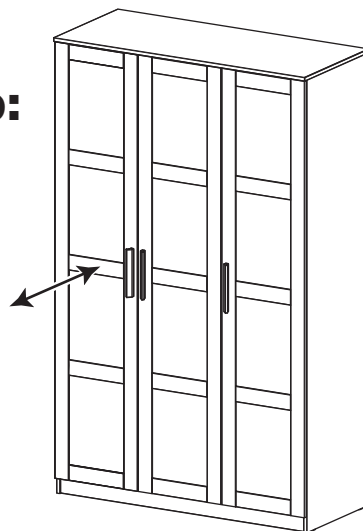
a:



b: Forward or backwards adjustment

Loosen screw 'B' on fixing plate and move Door in or out as required. Retighten screw 'B'.

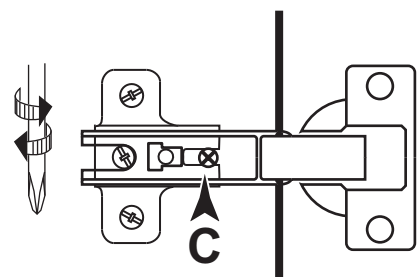
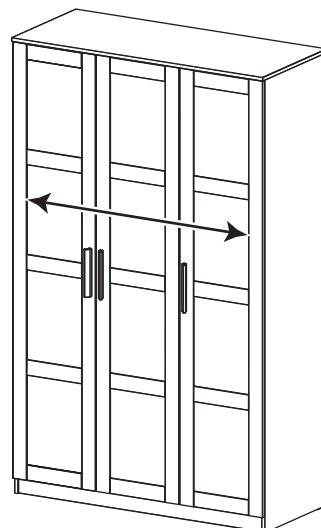
b:



c: Sideways adjustment

To move Door 'OUT' at hinge position, slacken screw 'C'.
To move Door 'IN' at hinge position, tighten screw 'C'.

c:



next

FLYNN PANEL TRIPLE WARDROBE

602894 / 354982

Assembly instructions

Actual product size

H190.4 x W156.4 x D50.2cm

