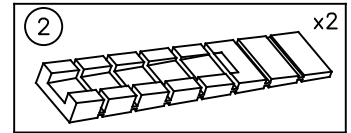
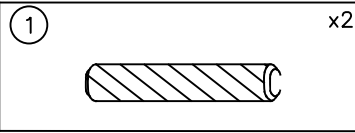
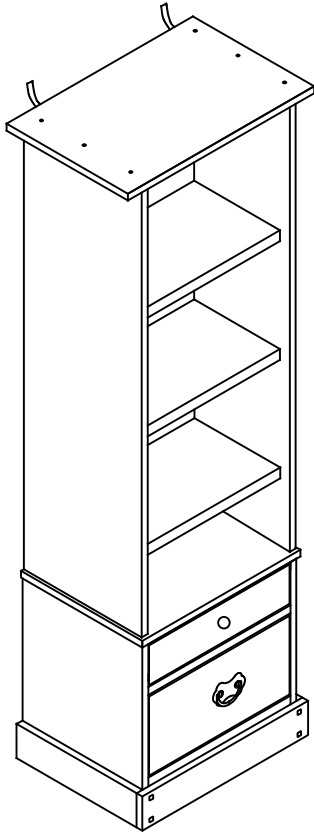
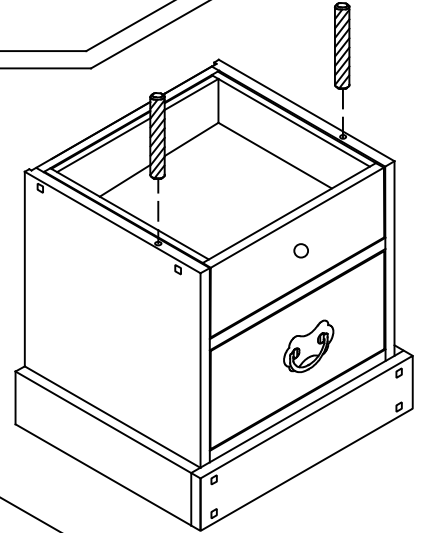
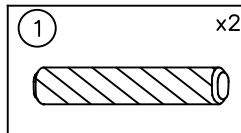


ASSEMBLING INSTRUCTION

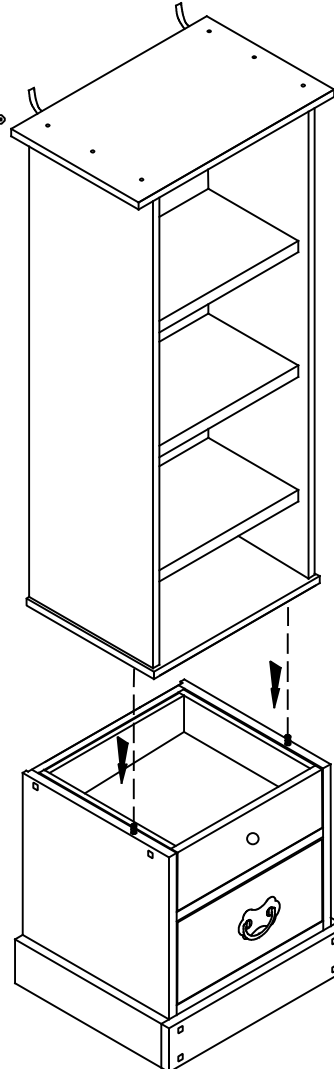
GARRAT
SINGLE BOOKCASE 9249



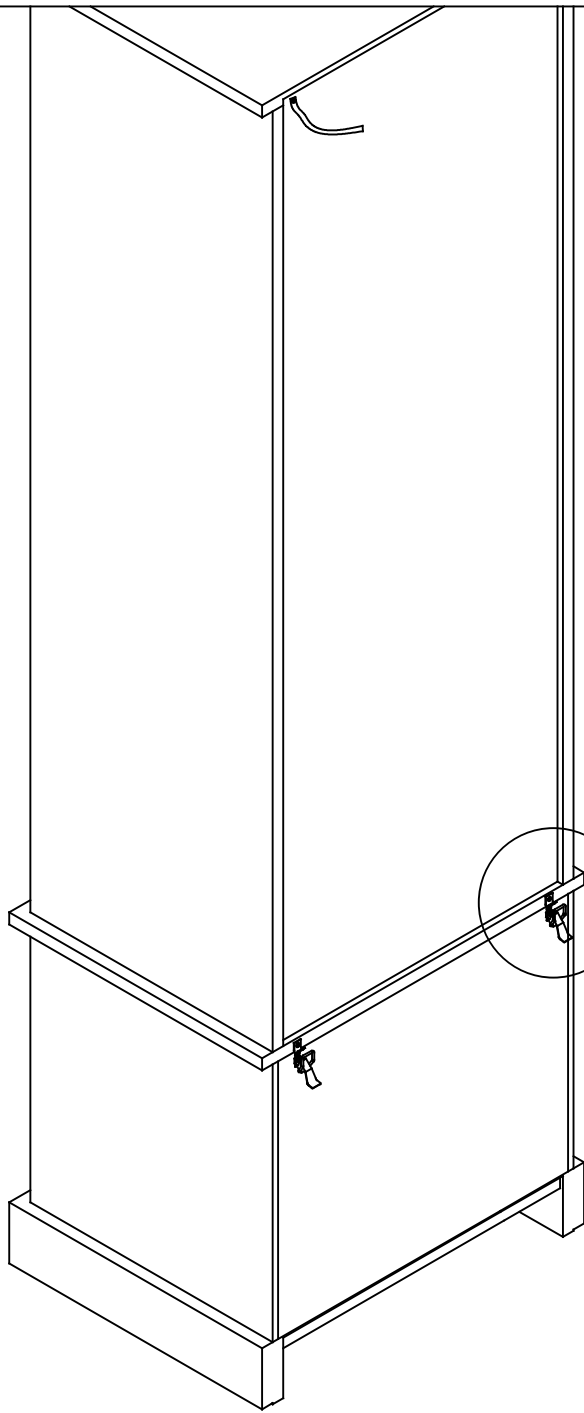
1.



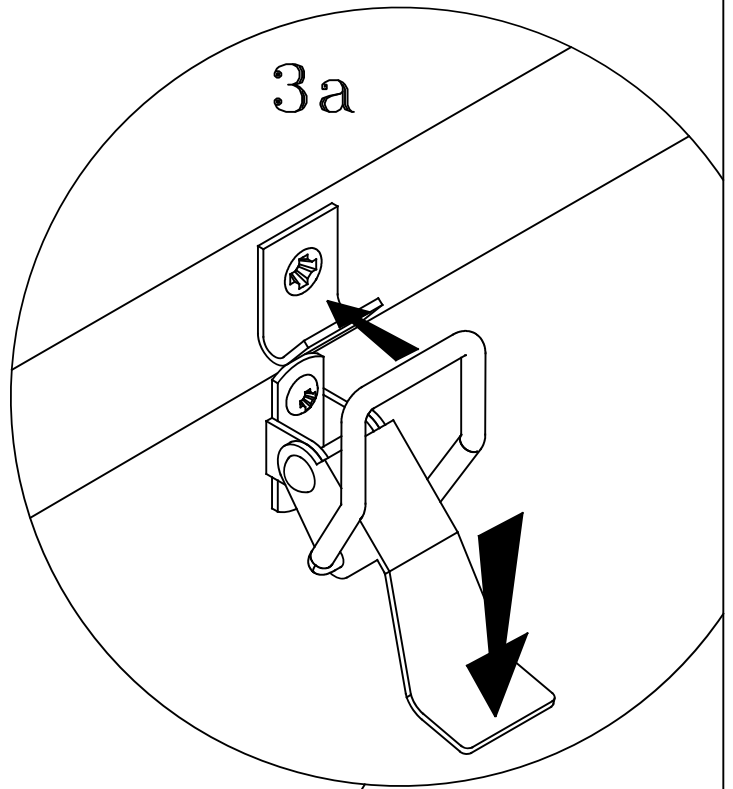
2.



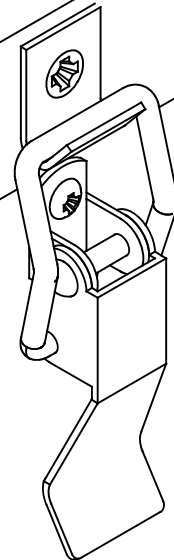
3.



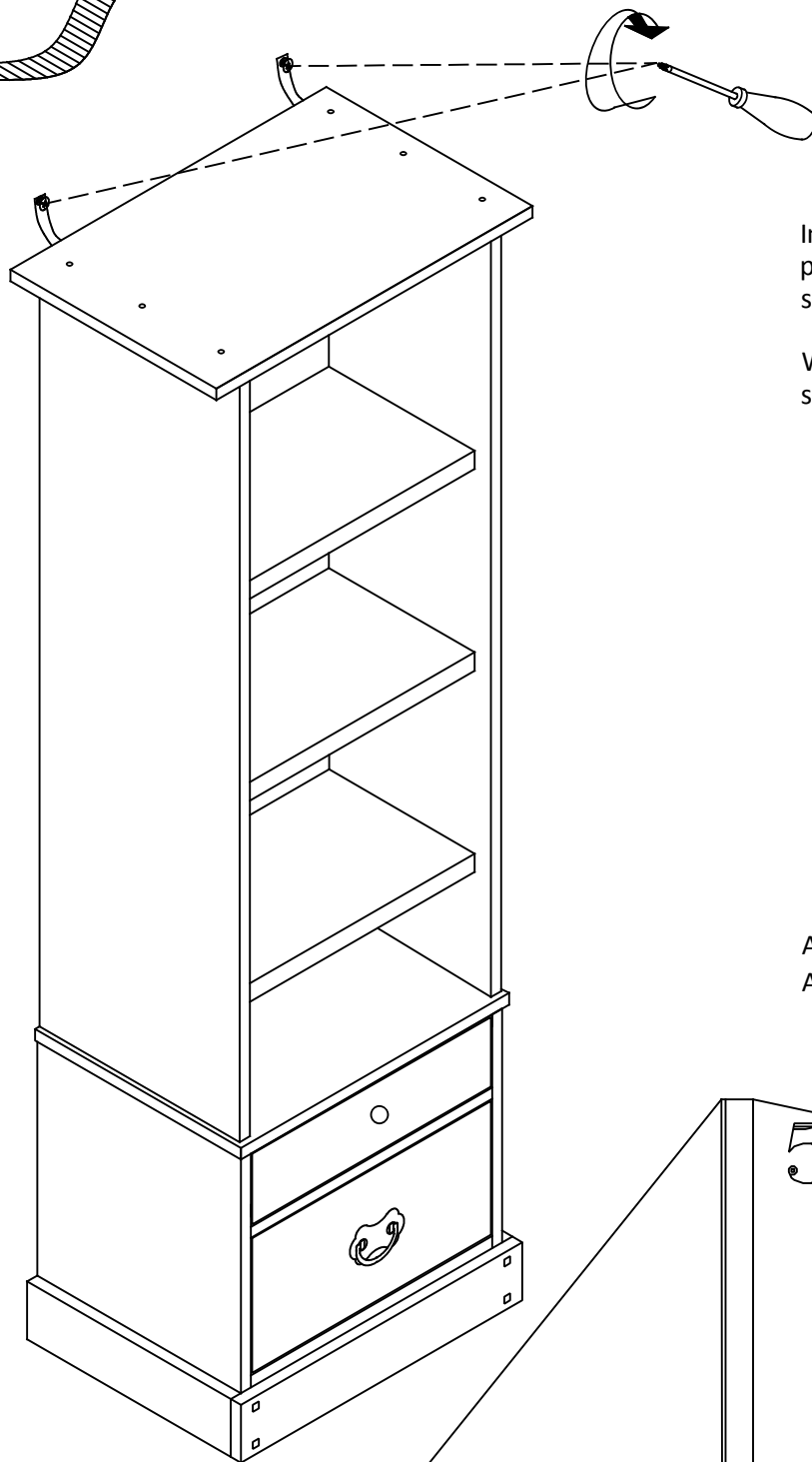
3a



3b



4.



Important note: It is essential that this product is fixed to a wall using the strap supplied.

Wall fixing is not supplied, please purchase suitable fixing for the wall

Always ensure that the wall Attachment strap is correctly fitted.

5.

