

BEFORE YOU GET STARTED...

We're confident you'll love your gorgeous new Next furniture. However, it's worth making absolutely certain before you put it all together.

So, let's quickly run through these three steps:

1. COLOUR

Make sure you're happy with the colour

No need to unpack everything, just check the first component.

2. PROTECTIVE PACKAGING

If you're happy, then it's time to get opening! Start by laying everything out on the protective packaging – this will prevent anything getting scratched.

3. PARTS PAGE

Finally, double check you have all the pieces by referencing the parts page of the instructions.

TIPS FOR RETURNS

Not completely happy with the product? No problem.

We just need everything back in the original packaging, so follow the steps below and this will ensure a super-smooth returns process and no delay to your refund.

DO



- Check everything is there (the 'parts page' is a handy checklist).
- Pop all the loose fittings and fixtures into the packaging provided or tie them up in a plastic bag.
- Wrap all the big components back up in the original protective packaging.
- Close up the box and seal it securely (don't be afraid to use plenty of tape).

DON'T



- Leave anything assembled - all components should be dismantled and separately packed.
- Put loose fixtures and fittings straight into the box.
- Throw it back in the box carelessly - as it may get damaged.

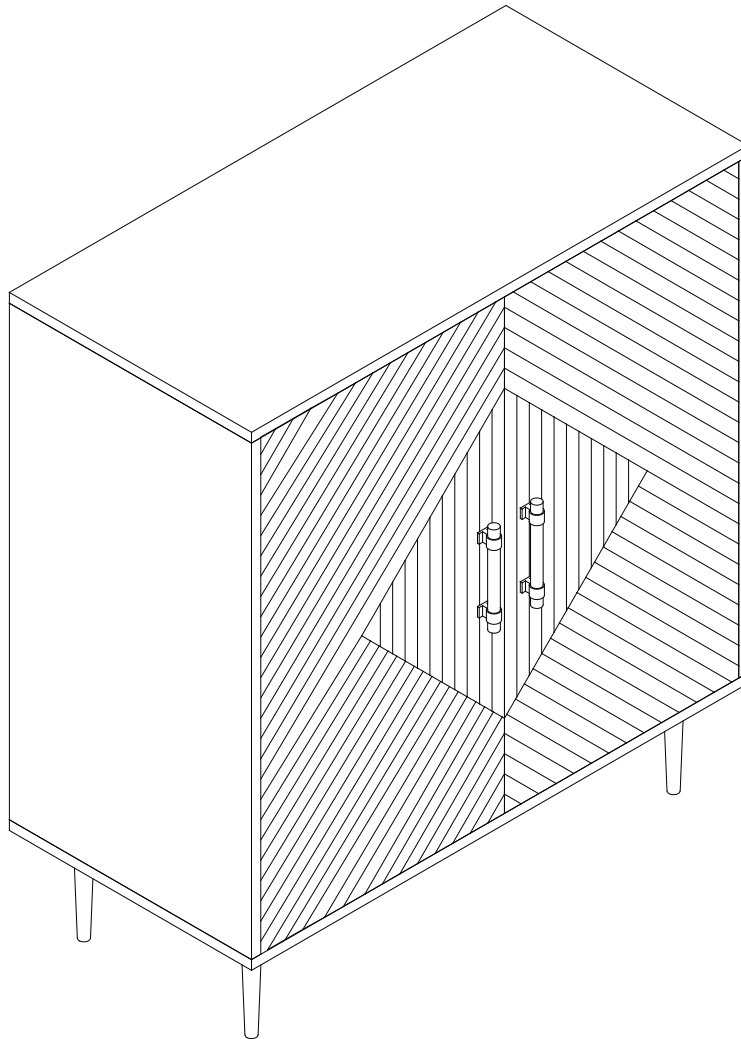
next
HOME

Then just give us a call on 0333 777 8999 and we'll sort out a pick up time for you.

next

Miami Cabinet
379512
Assembly instructions

Actual product size
W80x L39 x H90cm



W80x L39 x H90cm

**IMPORTANT: RETAIN THESE INSTRUCTIONS
FOR FUTURE REFERENCE**

Need Help?

With: Assembly instructions
Missing or damaged parts

CALL: 0333 777 8999

BEFORE YOU START

Warnings

We suggest you retain these instructions for future reference. Assembly is to be carried out by a competent adult only. During assembly children should be kept away from the product due to possible risk of injury. This product should only be used on firm, level ground. Do not use the item if any components are missing or damaged. Please do not jump or stand on your furniture. Avoid exposing the furniture to excessive heat or direct sunlight as this can cause deterioration of the colour. This product is suitable for children on the age range of 3-12 years. Maximum weight 10kg. Regularly check all fastenings to ensure that they are properly tightened.

Do's

We suggest you spend a short time reading through this leaflet before you start.

When you are ready to start, make sure that you have the right tools and plenty of space.

Carefully check that you have all the parts before beginning assembly

Due to the size of the product we recommend that it is assembled in the room intended for use.

Ensure the product is fully assembled as illustrated and all fixings are fully tightened before use.

Wipe occasionally with a soft cloth slightly dampened with water. Then buff with a dry clean soft cloth.

Don'ts

Do not drag or pull your furniture.

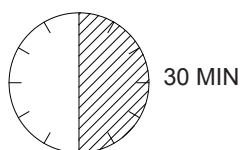
Do not use silicone based furniture polish. Silicone in furniture polishes can break down the finish.

Never allow any kind of liquid to remain on your furniture. Absorption can cause wood to warp or finishes to de-laminate.

Number of people required to assemble

Two persons are required to assemble this item.

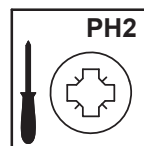
Time to assemble



Tools required



not supplied



not supplied

Missing parts

If you are missing any fixtures and fittings for your product please contact our customer service team on 0333 777 8999 and they will be happy to arrange for a replacement to be sent to you free of charge.

Home service technicians

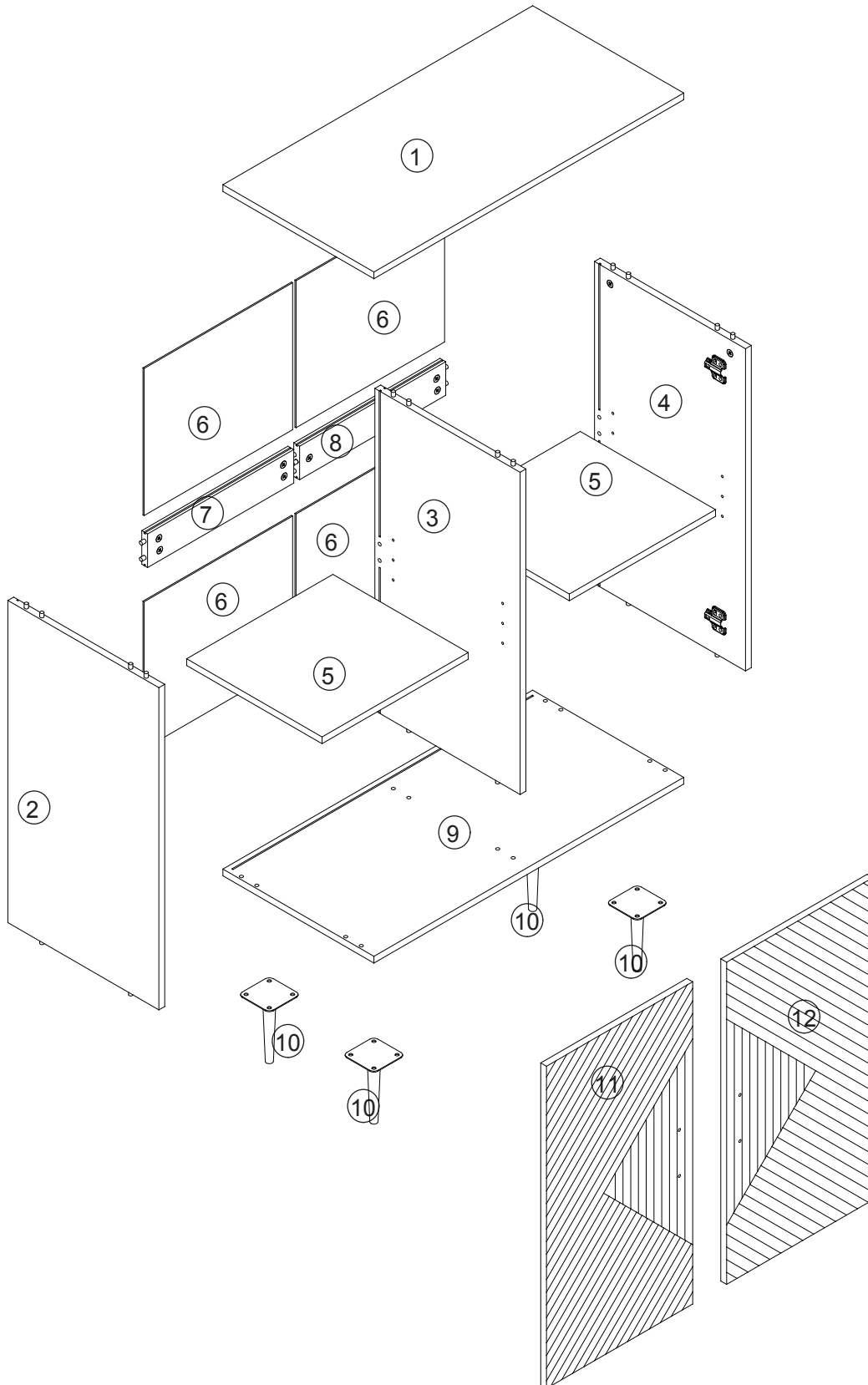
If you have a fault with your product please contact our customer service team on 0333 777 8999. If you have had the product for 28 days or less you may be offered a replacement, refund or for a fully trained home service technician to visit your home to assess the fault and repair the product where possible. If you have had the product for more than 28 days we will send an independant home service technician to review and repair the product where possible and recommend further action.

You can write to us at


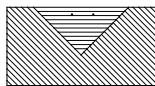
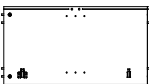
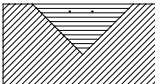

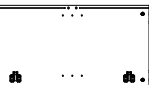






Home Customer Services
Next Retail Ltd,
Desford Road,
Leicester,
LE19 4AT

To View our full furniture range please visit www.next.co.uk

GETTING TO KNOW YOUR PRODUCT

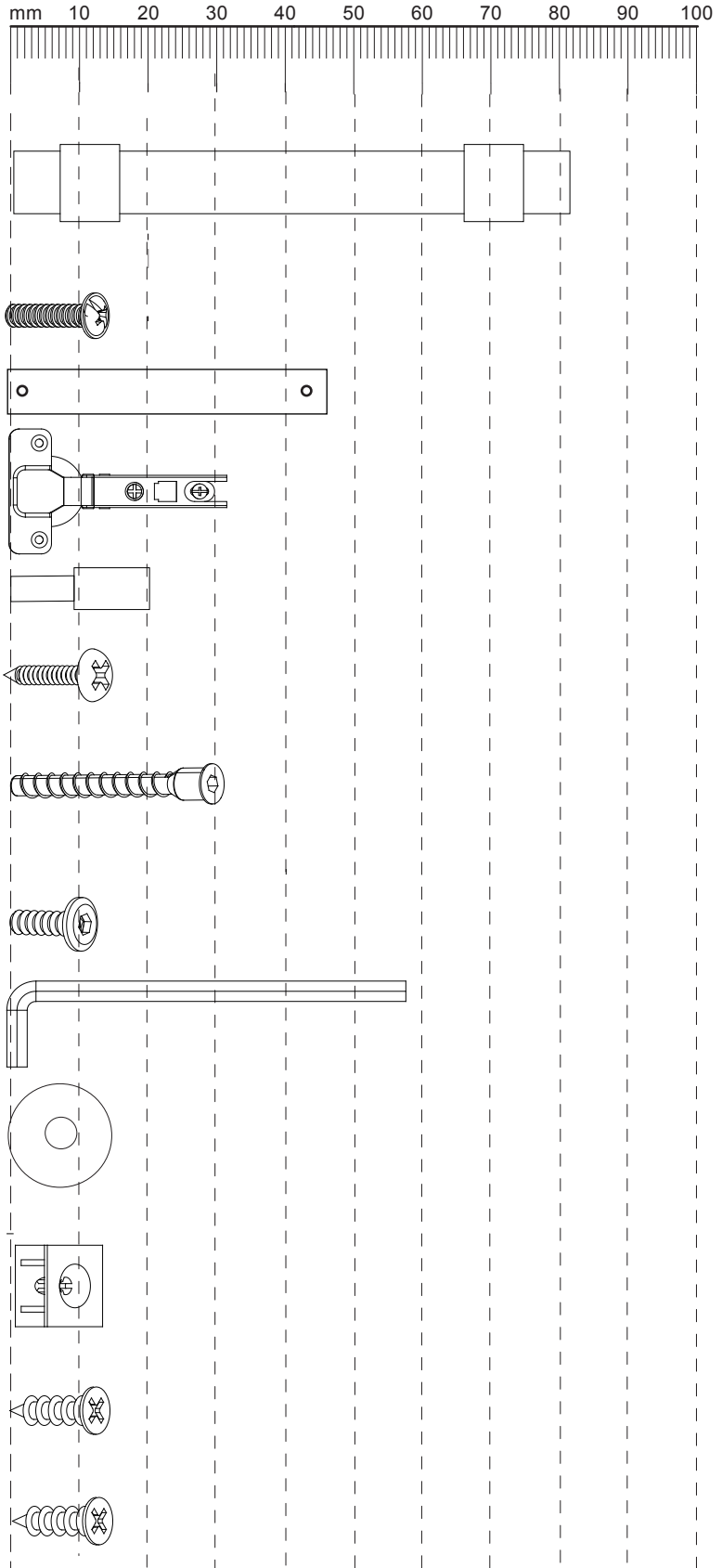


Components supplied. Please use this guide if you require replacement parts.

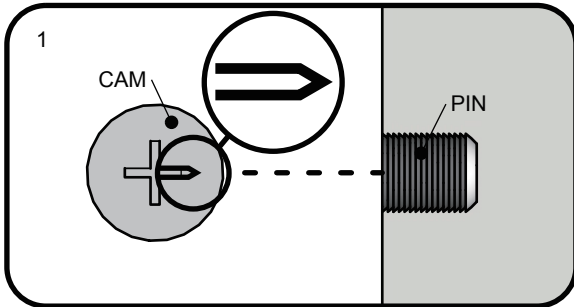
Ref	Dimensions	Visual	Qty	Ctn	Ref	Dimensions	Visual	Qty	Ctn
1	80x39cm		1	1	11	37.6x70.6cm		1	1
2	71.5x39cm		1	1	12	37.6x70.6cm		1	1
3	71.5x37cm		1	1					
4	71.5x39cm		1	1					
5	37.2x34.2cm		2	1					
6	38.5x33cm		4	1					
7	37.3x7.5cm		1	1					
8	37.3x7.5cm		1	1					
9	80x39cm		1	1					
10	15.5x8cm		4	1					

Fixtures and fittings
supplied (actual size)

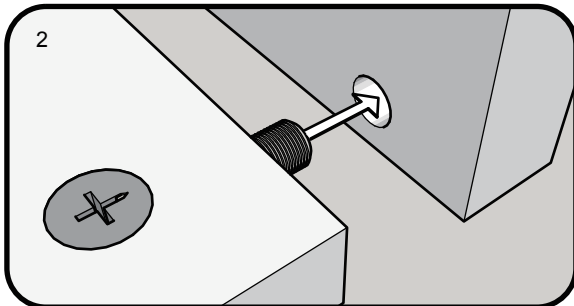
Ref	Dimensions	Quantity	* Extra Fittings
A	13x3.8mm	2	0
B	ø4x25mm	4	0
C	20 x 200mm	2	0
D	62x112mm	4	0
E	20 x 7mm	8	0
F	ø4 x 16mm	2	0
G	ø7 x 40mm	6	0
H	ø6 x 12mm	16	1
I	61x21x4 mm	1	0
J	ø12 x 1	2	0
K	13 x 14mm	8	0
L	ø3 x 14mm	8	0
M	ø4 x 14mm	8	0



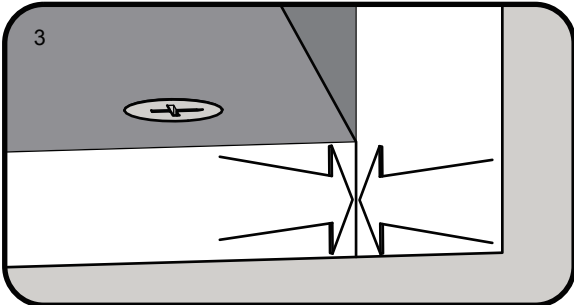
TITUS TIGHTENING INSTRUCTIONS



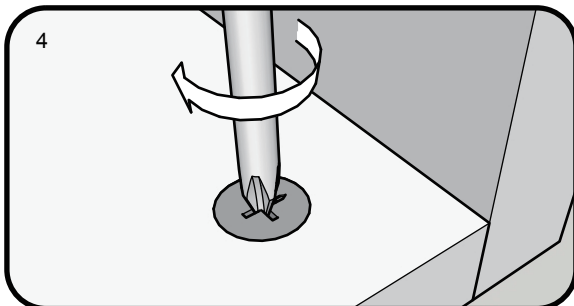
Line up the arrow on the CAM with the PIN.



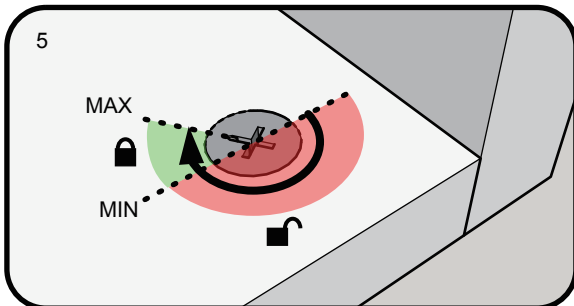
Push the pins into the holes in the panel to be joined.



Make sure there is no gap between the panels.

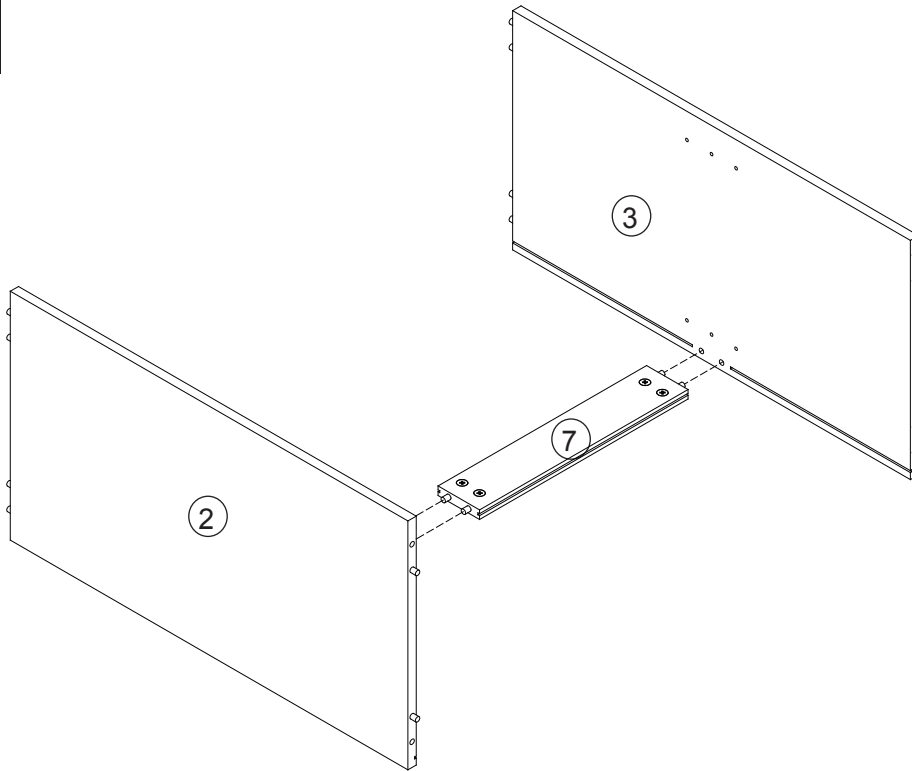


Use a cross-point screwdriver (PH2 or PZ2 is ideal) to tighten the cams and lock the panels together.

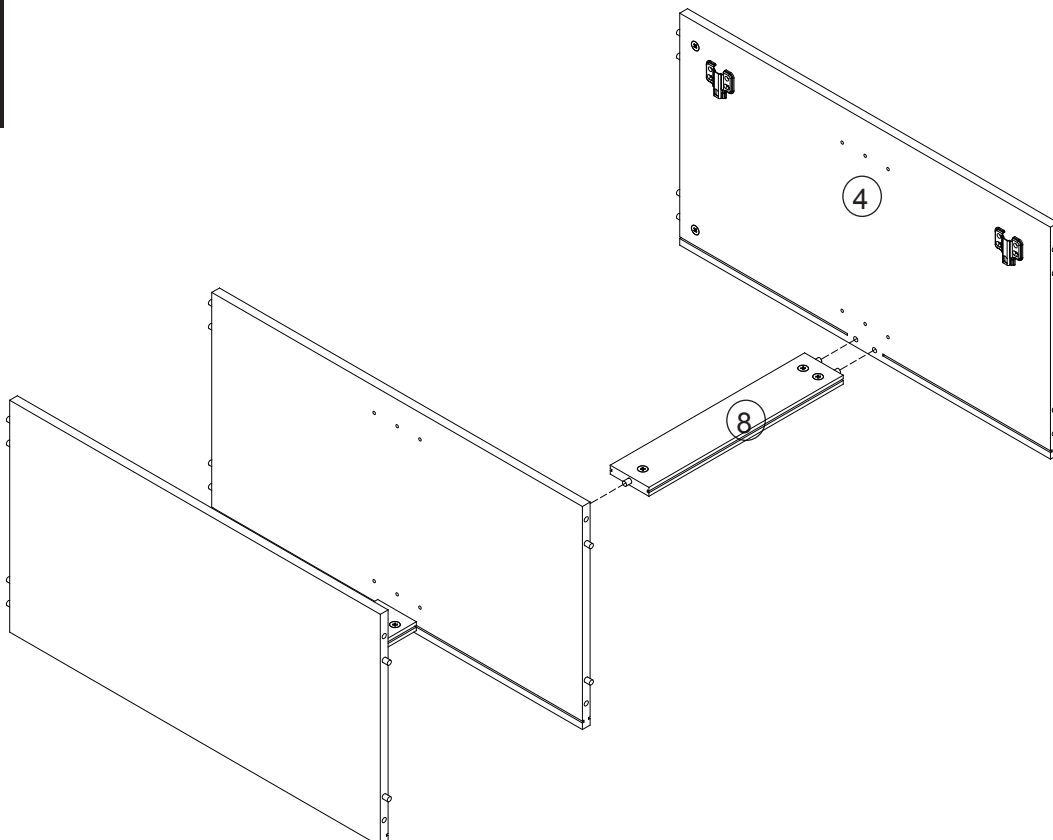


The panels are locked when each cam is turned to between 1/2 and 2/3 of a full turn (Maximum rotation)

1



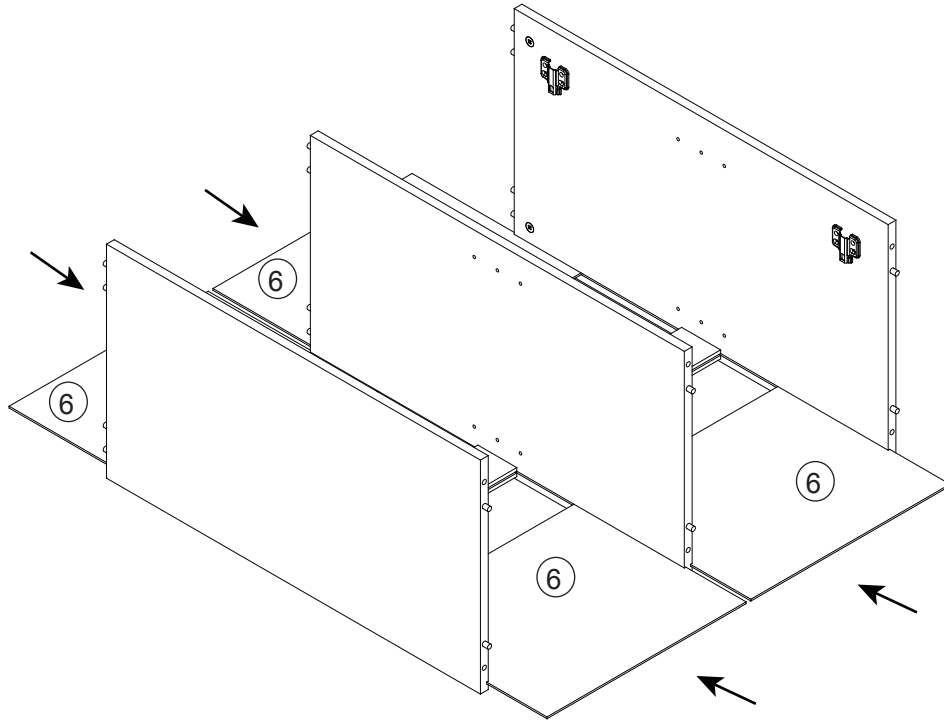
2



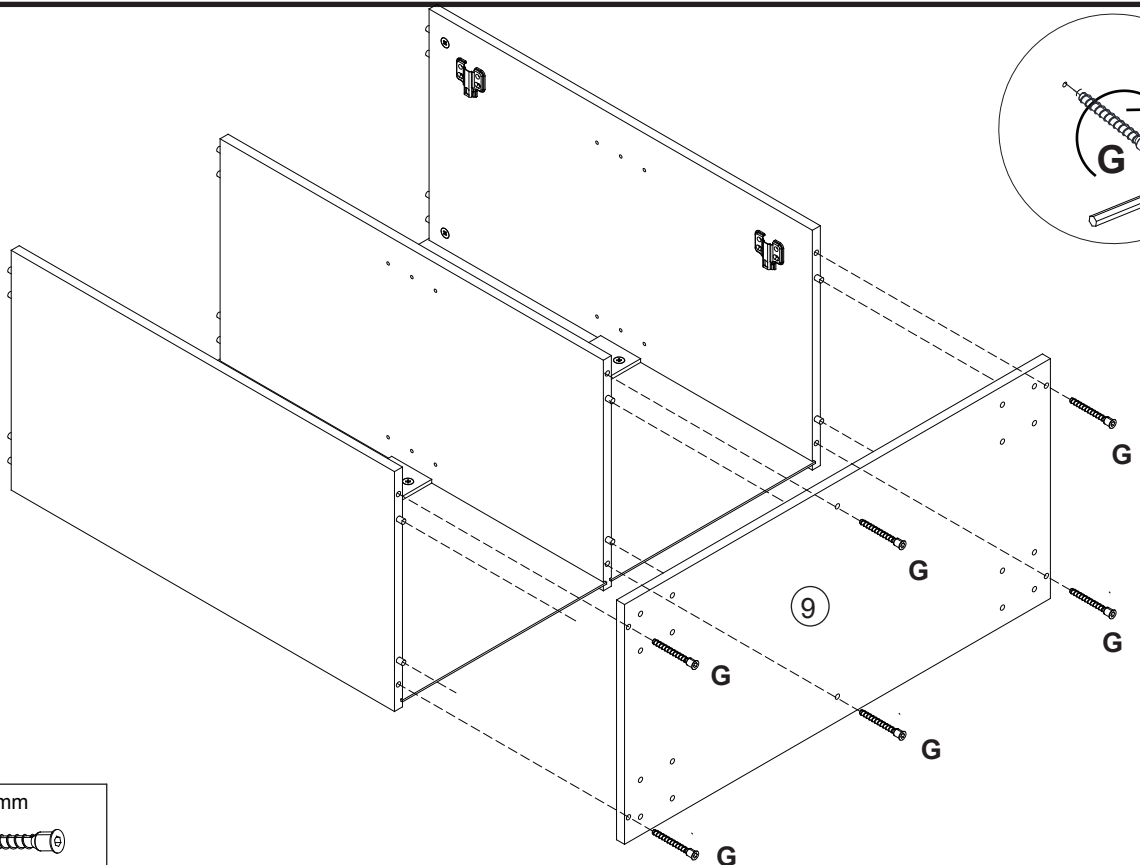
next

Miami Cabinet
379512
Assembly instructions

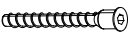
3



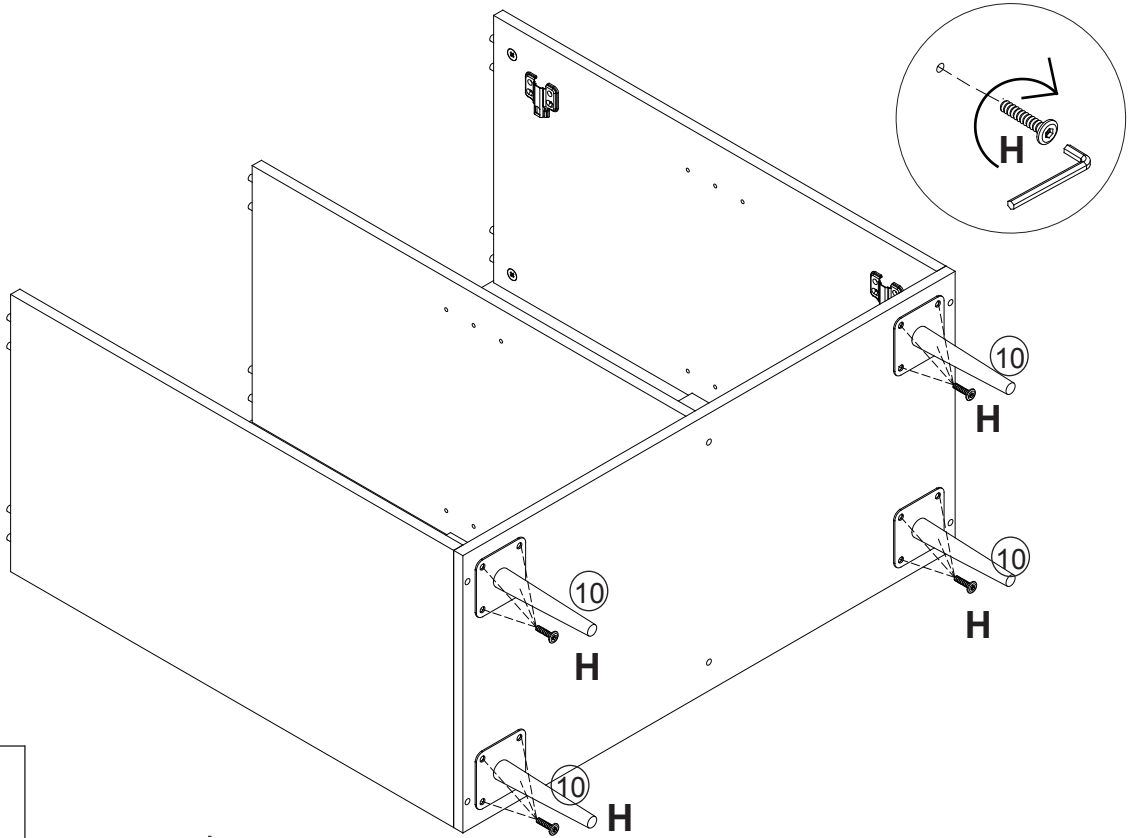
4



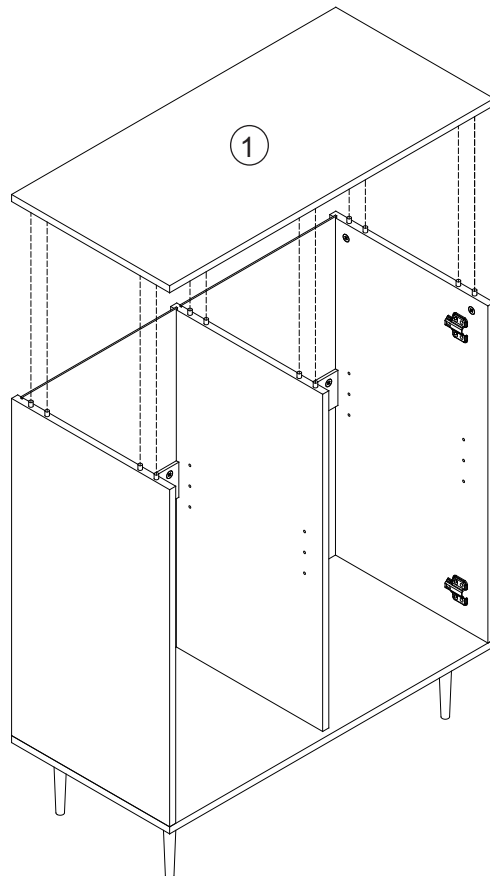
ø7x40mm

G x 6 

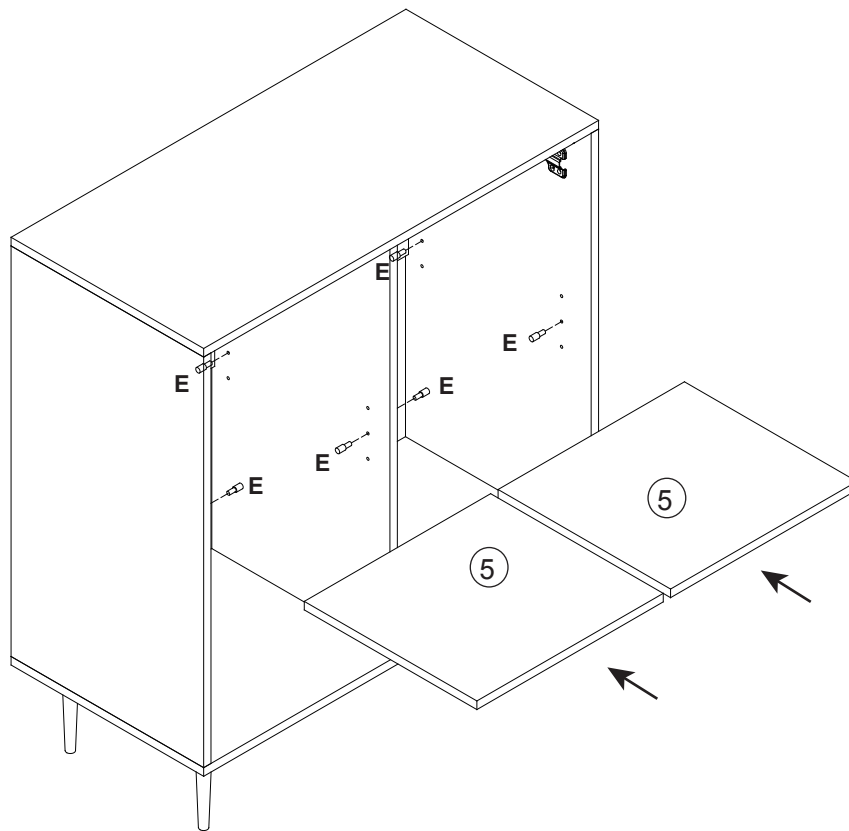
5



6



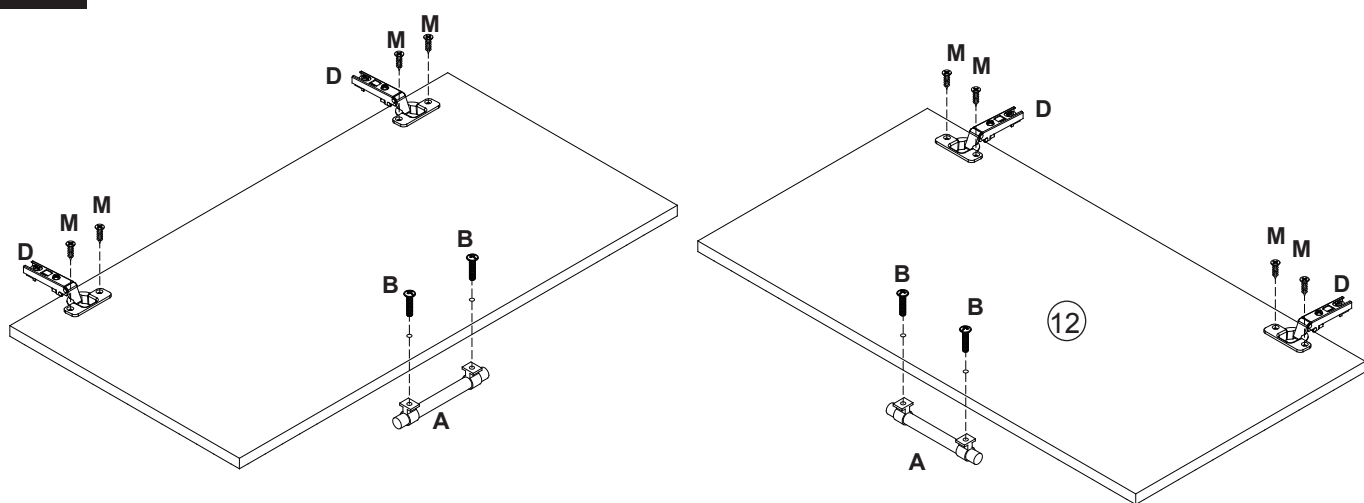
7



20x7mm

E x 8

8



13x3.8mm

A x 2

ø4x25mm

B x 4

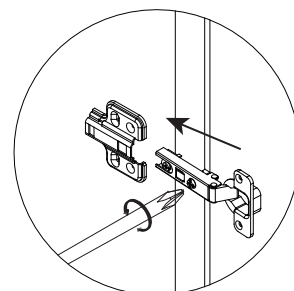
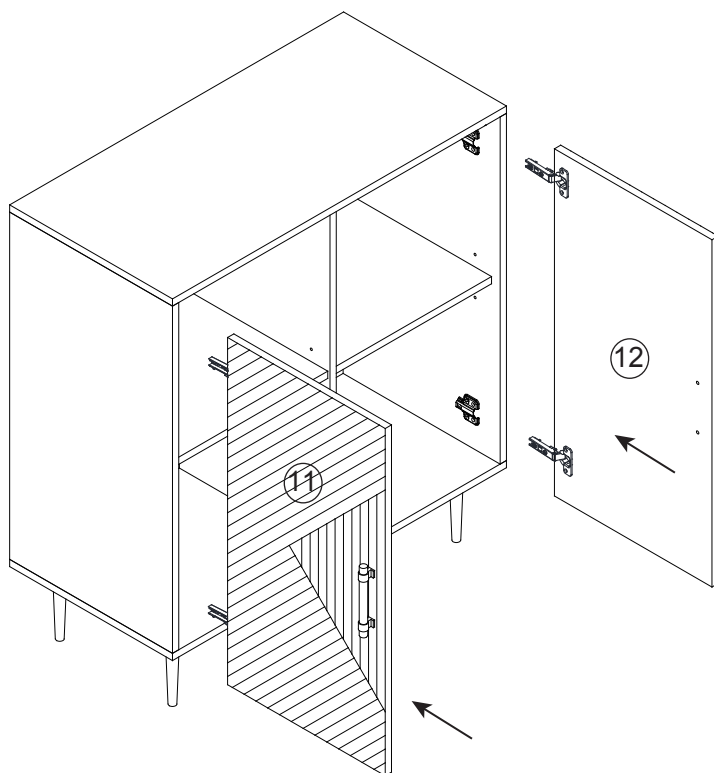
62x112mm

D x 4

ø4x14mm

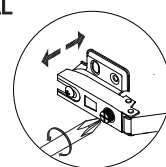
M x 8

9

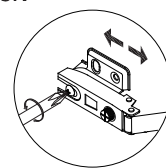


Adjust Hinge Position

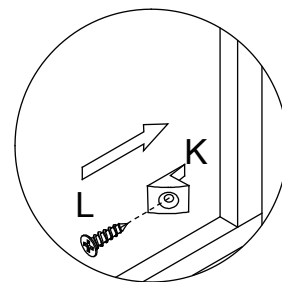
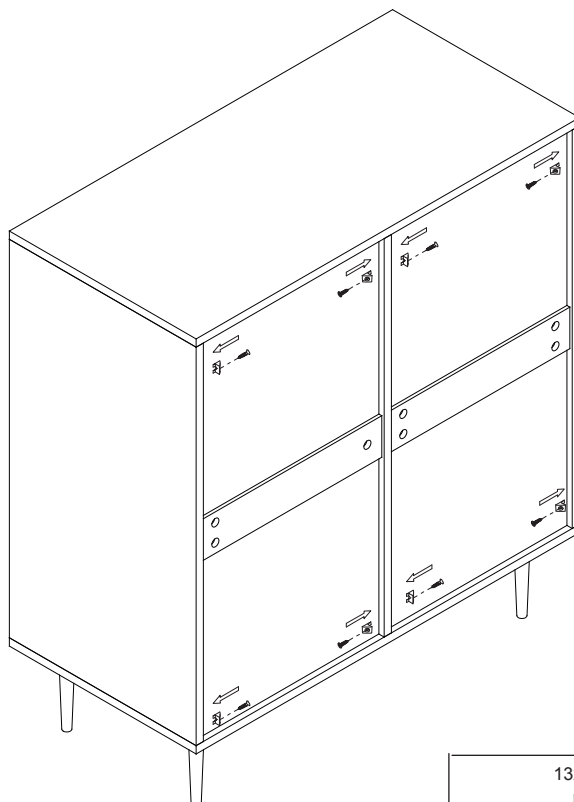
LATERAL



FRONT- TO-BACK



10



13x14mm

K x 8



ø3 x 14mm

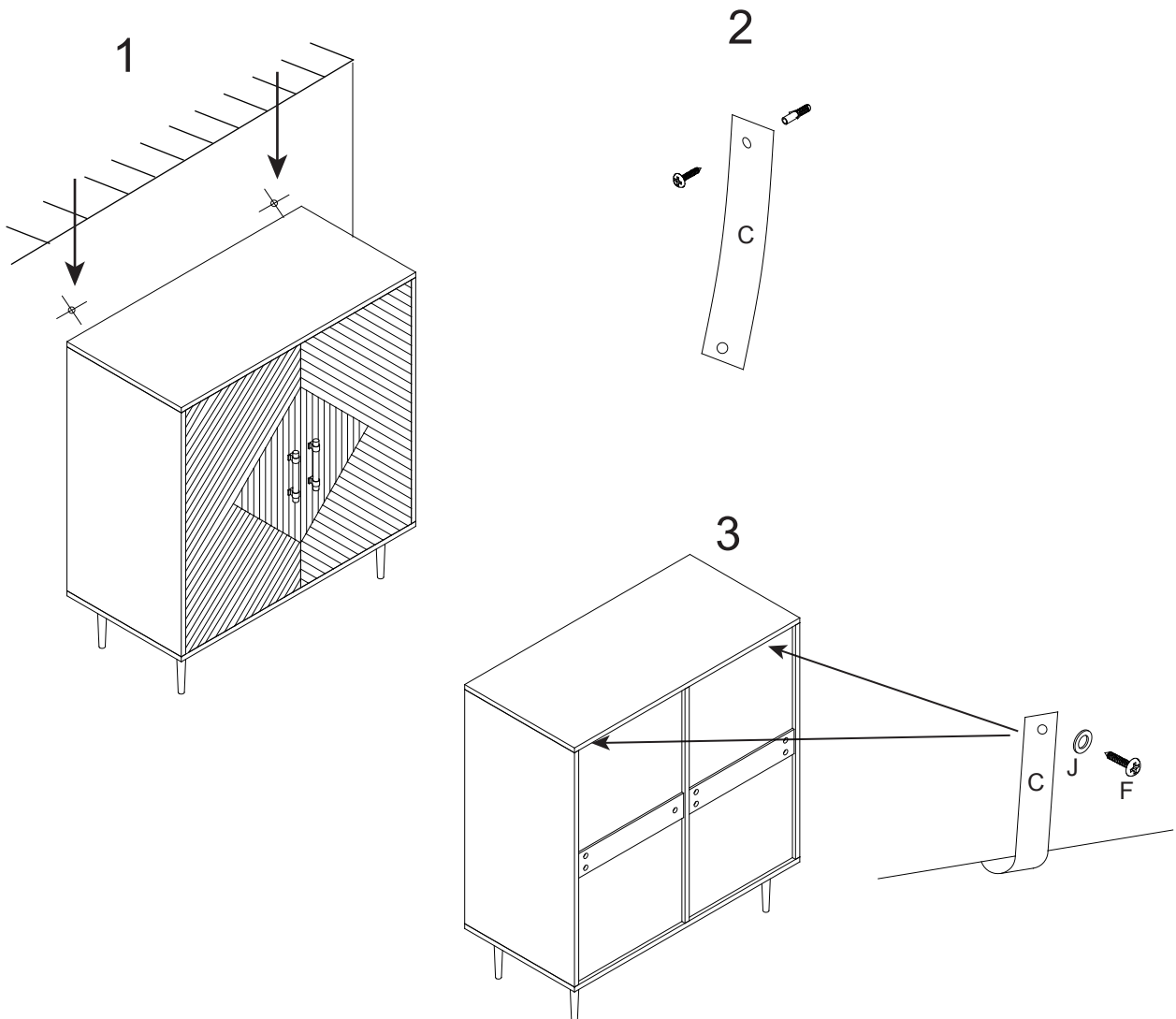
L x 8


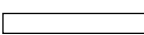



11

WARNING: In order to prevent overturning this product must be used with the wall attachment strap provided!

1. Move unit to desired position.
2. Mark the wall for the strap 20mm above the lower edge of the base panel of the dressing table (2 locations).
3. Drill the wall at this point and attach to the wall using the appropriate fitting (Not provided) for your wall type. (Check the wall before drilling to ensure that there are no hidden obstacles such as water pipes and electrical wiring)
4. Attach the straps to the underside of the lower panel using the short screws provided. If you are not confident to carry out this step, contact a professional tradesperson.



<p>ø12 x 1</p> <p>J x 2</p> 	<p>20 x 200mm</p> <p>C x 2</p> 	<p>ø4 x 14mm</p> <p>F x 2</p> 	
---	--	---	--

next

Miami Cabinet
379512
Assembly instructions

Actual product size
W80x L39 x H90cm

