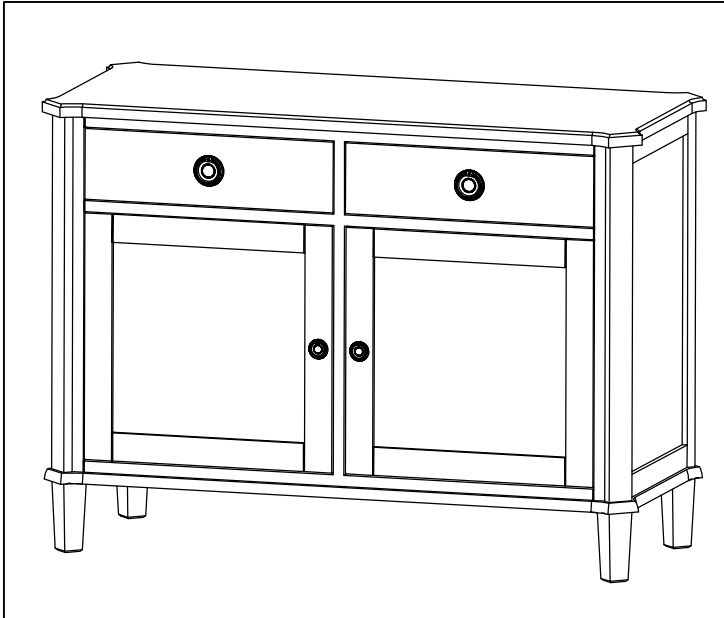
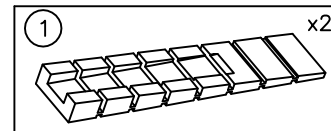
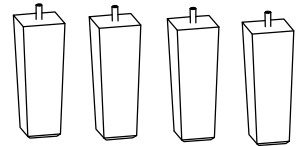
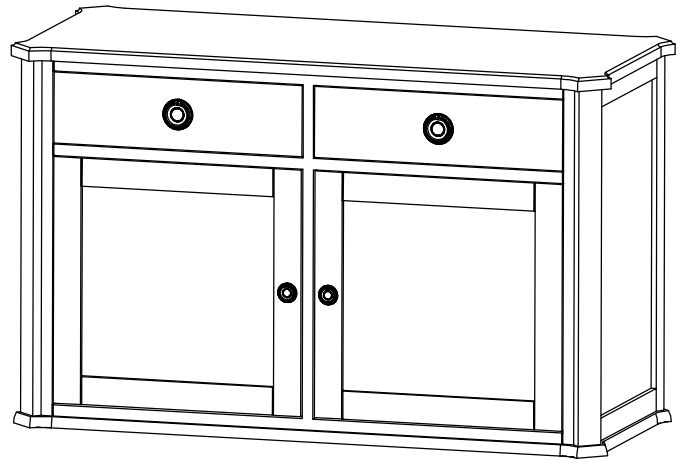
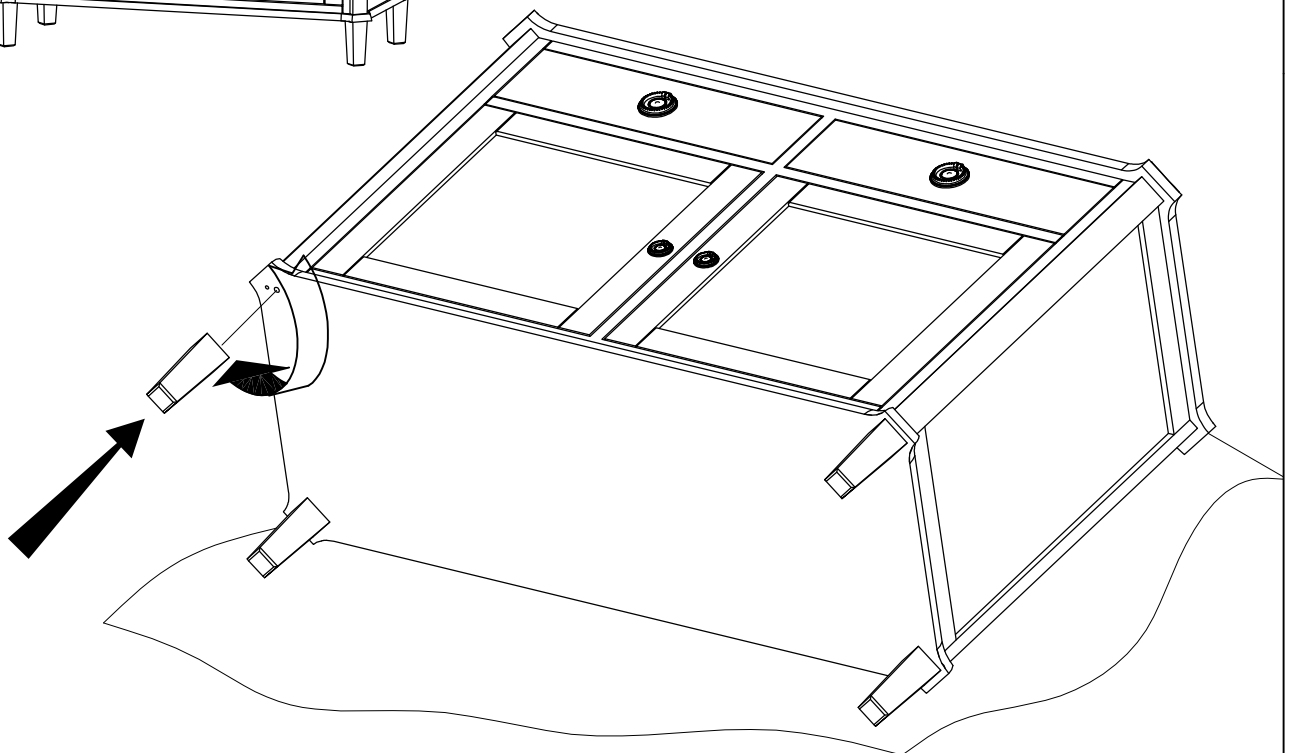
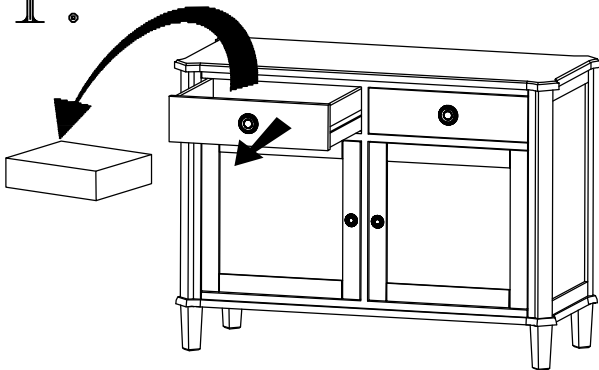


# ASSEMBLY INSTRUCTION

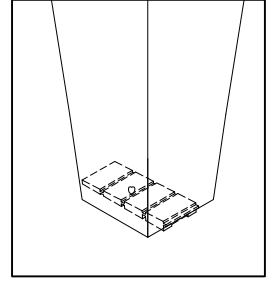
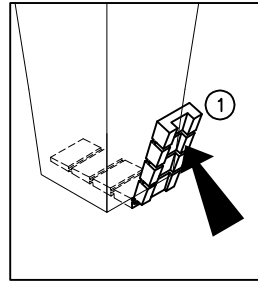
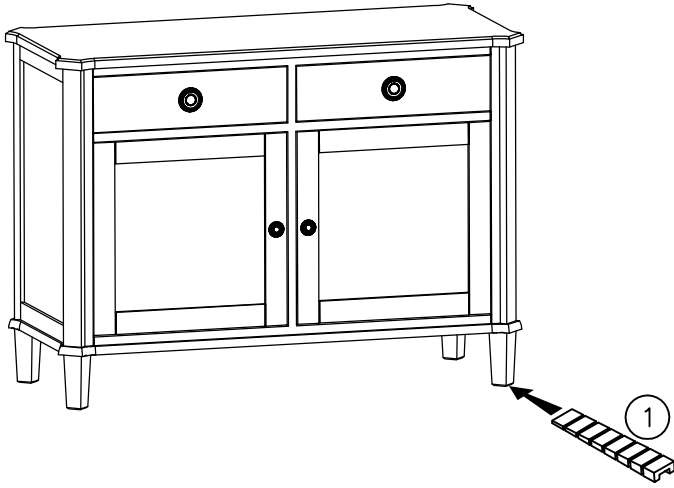
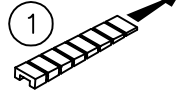
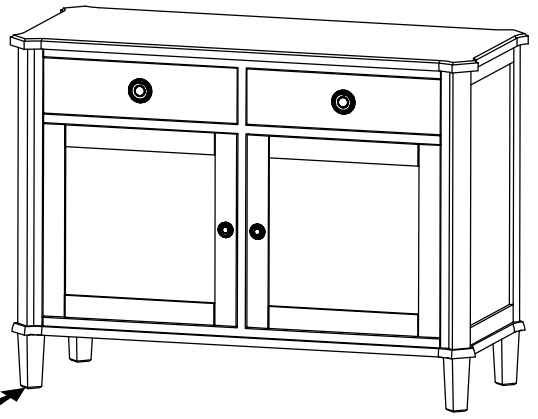
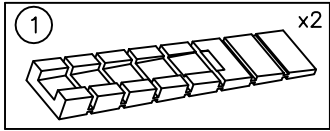
HENSHAW  
SIDEBOARD 2D / 2DRW



1.



2.



3.

