

# BEFORE YOU GET STARTED...

*We're confident you'll love your gorgeous new Next furniture. However, it's worth making absolutely certain before you put it all together.*

*So, let's quickly run through these three steps:*

## 1. COLOUR

Make sure you're happy with the colour  
No need to unpack everything, just check the first component.

## 2. PROTECTIVE PACKAGING

If you're happy, then it's time to get opening! Start by laying everything out on the protective packaging – this will prevent anything getting scratched.

## 3. PARTS PAGE

Finally, double check you have all the pieces by referencing the parts page of the instructions.

## TIPS FOR RETURNS

Not completely happy with the product? No problem. We just need everything back in the original packaging, so follow the steps below and this will ensure a super-smooth returns process and no delay to your refund.

DO



- Check everything is there (the 'parts page' is a handy checklist).
- Pop all the loose fittings and fixtures into the packaging provided or tie them up in a plastic bag.
- Wrap all the big components back up in the original protective packaging.
- Close up the box and seal it securely (don't be afraid to use plenty of tape).

DON'T



- Leave anything assembled - all components should be dismantled and separately packed.
- Put loose fixtures and fittings straight into the box.
- Throw it back in the box carelessly - as it may get damaged.

next  
HOME

Then just give us a call on 0333 777 8000 and we'll sort out a pick up time for you.

**next**

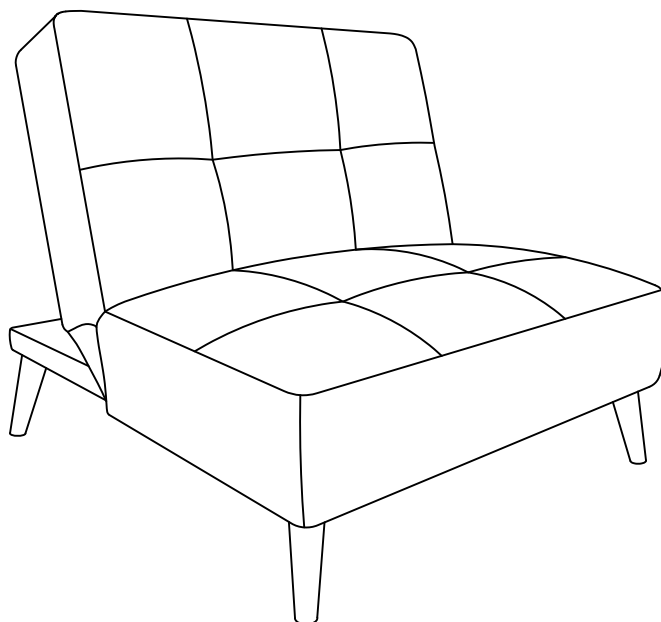
# WIL COFFEE CHAIR

481455/569196

Assembly instructions

## Actual product size

W90 x D104 x H82cm



## Fabric content

Item No.	Fabric	Content
481455	Soft Marl Dark Grey	100%polyester
569196	Soft Marl OChre	100%polyester

## Need Help?

With: Assembly instructions  
Missing or damaged parts

**CALL: 0333 777 8000**

**IMPORTANT – RETAIN FOR FUTURE REFERENCE**

**BEFORE YOU START**

**Warnings**

- We suggest you retain these instructions for future reference.
- Keep fittings out of children’s reach and keep children well away from the construction area.
- This product should only be used on firm, level ground.
- Please periodically check all fittings and re-tighten as necessary.
- Please do not jump or stand on your sofa.
- Avoid exposing the furniture to excessive heat or direct sunlight as this can cause cracking of the deterioration of the finish .
- Keep away from strong heat sources.
- Do not use this item if components are missing or broken.

**Do’s**

- We suggest you spend a short time reading through this leaflet before you start.
- When you are ready to start, make sure that you have the right tools and plenty of space.
- Unwrap all packaging materials and place the components on a clean surface to protect it from damage, We recommend that the packaging is used to protect the surfaces during assembly.
- Carefully check that you have all the parts before beginning assembly.
- Ensure the product is fully assembled as illustrated and all fixings fully tightened before use.
- Check fixings regularly to ensure they remain tight.
- Always ensure that protectors are used on the legs according to your flooring type.
- To clean your items, please lightly wipe with a slightly dampened cloth.
- For leather items dust regularly with a soft cloth, preferably once a week, to keep the leather pores free from dust particles.
- For velvet items use a soft brush lightly dress the fabric. Lightly wipe with a slightly dampened cloth to clean.
- For velvet items avoid scratching the fabric as the pile may not recover and permanently mark it.

**Don’ts**

- Do not drag your furniture. Always lift and check that the feet are securely fixed in place.
- Apply Adhesive substrates for example, sticky tape to the product.
- Do not use chemical and silicone based furniture polish. These can break down the lacquer finish.
- Never allow any kind of liquid to remain on your furniture. Absorption can cause finishes to delaminate and or stain.

**Number of people required to assemble**

Two people are required to assemble this item



Time to assemble :.30 min



**Missing parts**

If you are missing any fixtures and fittings for your product please contact our customer service team on 0333 777 8000 and they will be happy to arrange for a replacement to be sent to you free of charge.

**Home service technicians**

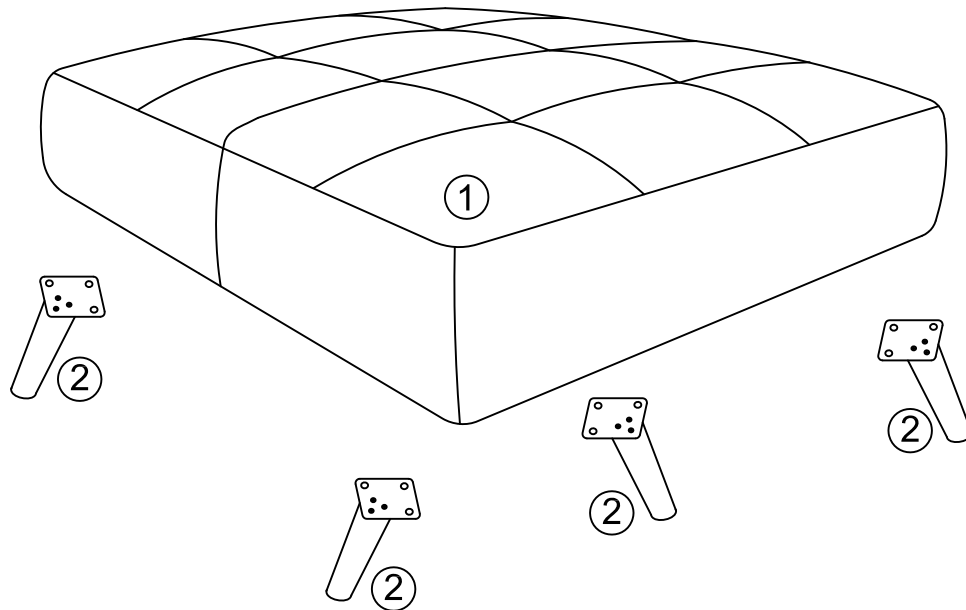
If you have a fault with your product please contact our customer service team on 0333 777 8000. If you have had the product for 28 days or less you may be offered a replacement, refund or for a fully trained home service technician to visit your home to assess the fault and repair the product where possible. If you have had the product for more than 28 days we will send an independant home service technician to review and repair the product where possible and recommend further action.

**You can write to us at**

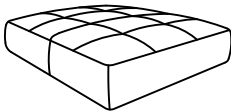
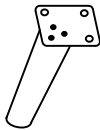
Home Customer Services  
Next Retail Ltd,  
Desford Road,  
Leicester,  
LE19 4AT

To View our full furniture range please visit [www.next.co.uk](http://www.next.co.uk)

GETTING TO KNOW YOUR PRODUCT



Components supplied. Please use this guide if you require replacement parts.

Ref	Dimensions	Visual	Qty
1	110 x 90 x 22cm		1
2	16 x 6 x 4.2 cm		4

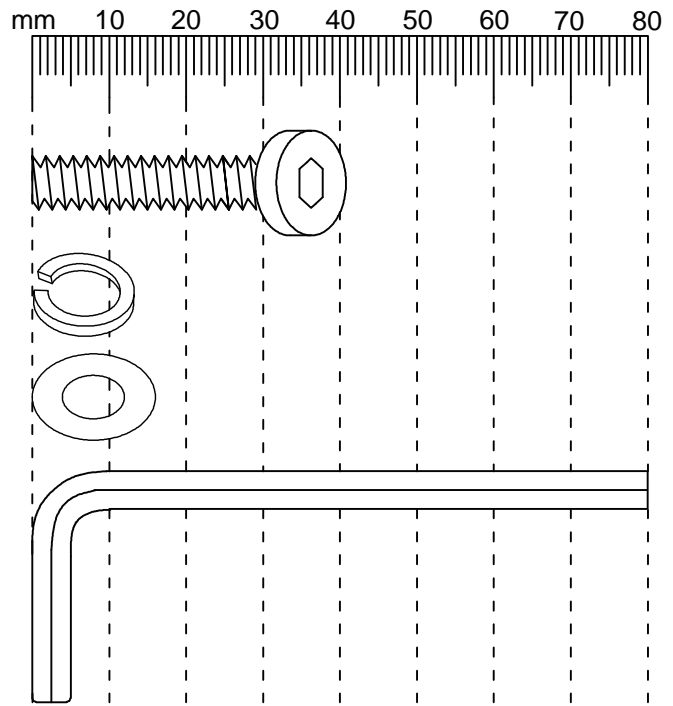
# WIL COFFEE CHAIR

481455/569196

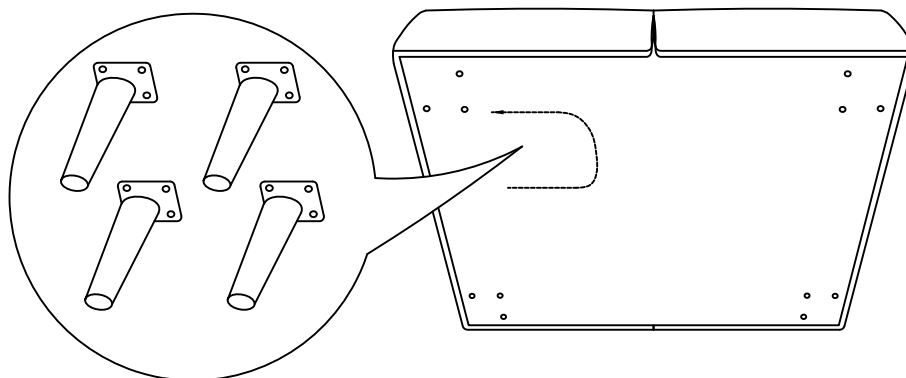
Assembly instructions

## Fixtures and fittings supplied (actual size)

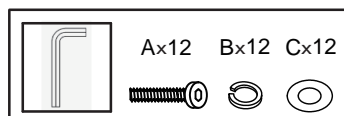
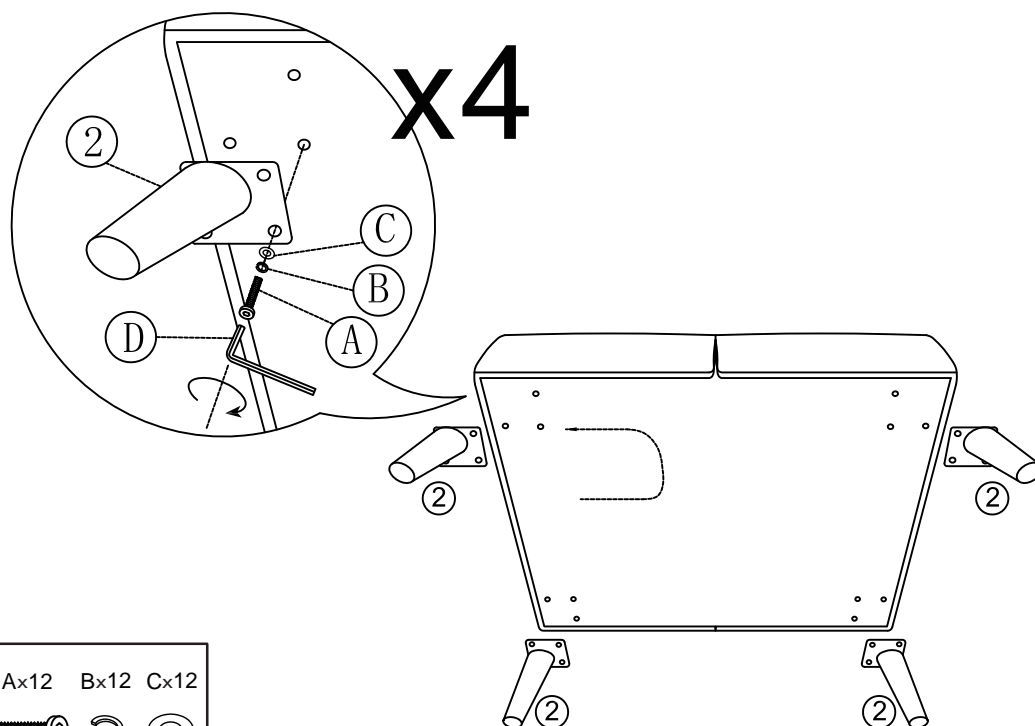
Ref	Dimensions	Qty	Spare
A	8 x 30mm	12	2
B	8 x 13mm	12	2
C	8 x 16mm	12	2
D	M5 x 80mm	1	0



1



2



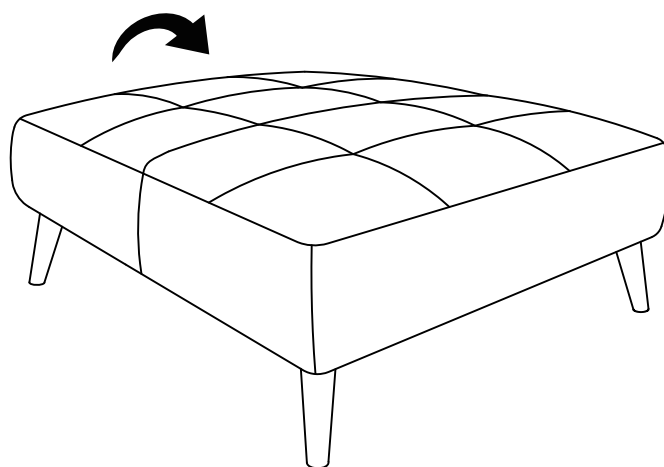
Ax12 Bx12 Cx12

# WIL COFFEE CHAIR

481455/569196

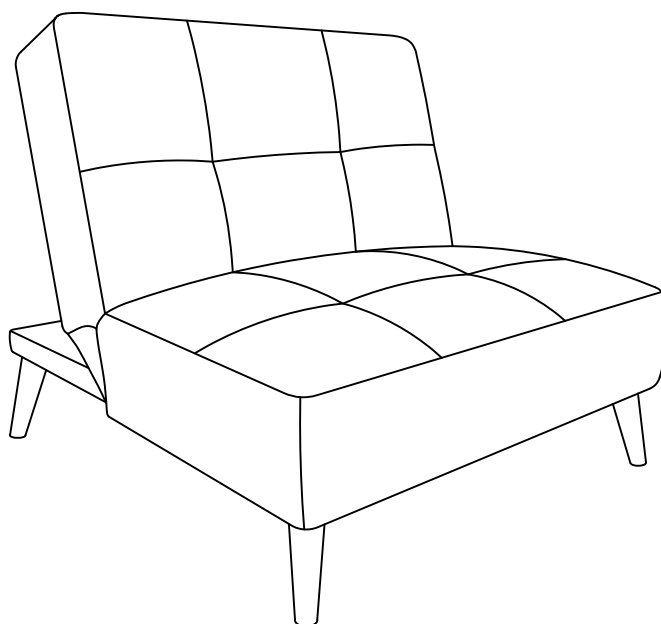
Assembly instructions

3



Carefully lift sofa into position and place cushions.

4



next

# WIL COFFEE CHAIR

481455/569196

Assembly instructions

Actual product size  
W90 x D104 x H82cm

