

next

# PARKER COT BED

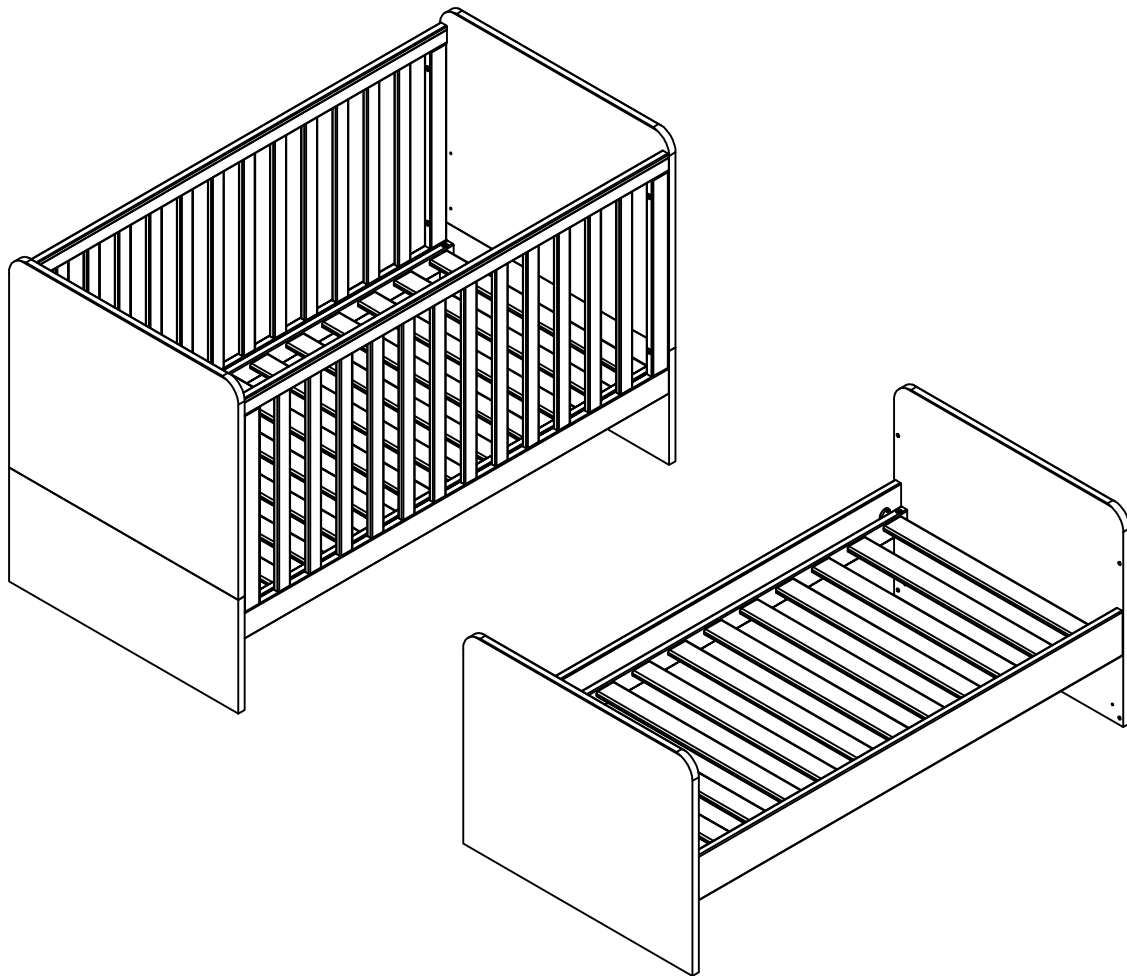
673628

Assembly instructions

## Actual product size

H95 x W145.5 x D75.5cm

H62 x W145.5 x D75.5cm



**IMPORTANT - RETAIN FOR FUTURE  
REFERENCE : READ CAREFULLY**

**Need Help ?**

With: Assembly instruction

Missing or damaged parts

**CALL: 0333 777 8999**

## BEFORE YOU START

### Number of people required to assemble

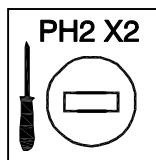
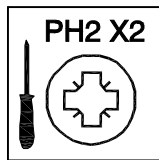
Two people are required to assemble this item



**Time to assemble : 30 minutes**



### Tools required



### Do's

We suggest you spend a short time reading through this leaflet before you start.

When you are ready to start, make sure that you have the right tools and plenty of space.

Unwrap all packaging materials and place the components on a clean surface to protect it from damage,

We recommend that the packaging is used to protect the surfaces during assembly.

Carefully check that you have all the parts before beginning assembly.

Due to the size of this product we recommend that it is assembled in the room intended for use.

Ensure the product is fully assembled as illustrated and all fixings fully tightened before use.

Wipe occasionally with a soft cloth slightly dampened with water. Then buff with a dry clean soft cloth.

Wood will mellow and change colour over time, we recommend that ornaments and items placed on the surface are moved regularly for the first few months to prevent uneven mellowing.

### Don'ts

Do not drag or pull your furniture.

Do not rub or scrub the surface when cleaning.

Do not use silicone based furniture polish. Silicone in furniture polishes can break down the finish.

Never allow any kind of liquid to remain on your furniture. Absorption can cause wood to warp or finishes to de-laminate.

Do not place hot items (e.g. hot drinks) directly on to the wood surface. Please make sure you use a placemat or coaster.

### Warnings

a) Warning: Be aware of the risk of open fire and other sources of strong heat, such as electric bar fires, gas fires, etc. in the near vicinity of the cot.

b) Warning: Do not use the cot if any part is broken, torn or missing and use only spare parts approved by the manufacturer.

c) Warning: Do not leave anything in the cot or place the cot close to another product, which could provide a foothold or present a danger of suffocation or strangulation, e.g. strings, blind/curtain cords, etc.

d) Warning: Do not use more than one mattress in the cot.

e) The lowest position of bed base is the safest and that the base should always be used in that position as soon as the baby is old enough to sit up.

f) Thickness of the mattress shall be such that the internal height (surface of the mattress to the upper edge of the cot frame) is at least 500 mm in the lowest position of the cot base and at least 200 mm in the highest position of the cot base.

g) The length and width of mattress shall be such that the gap between the mattress and the sides and ends does not exceed 30mm.

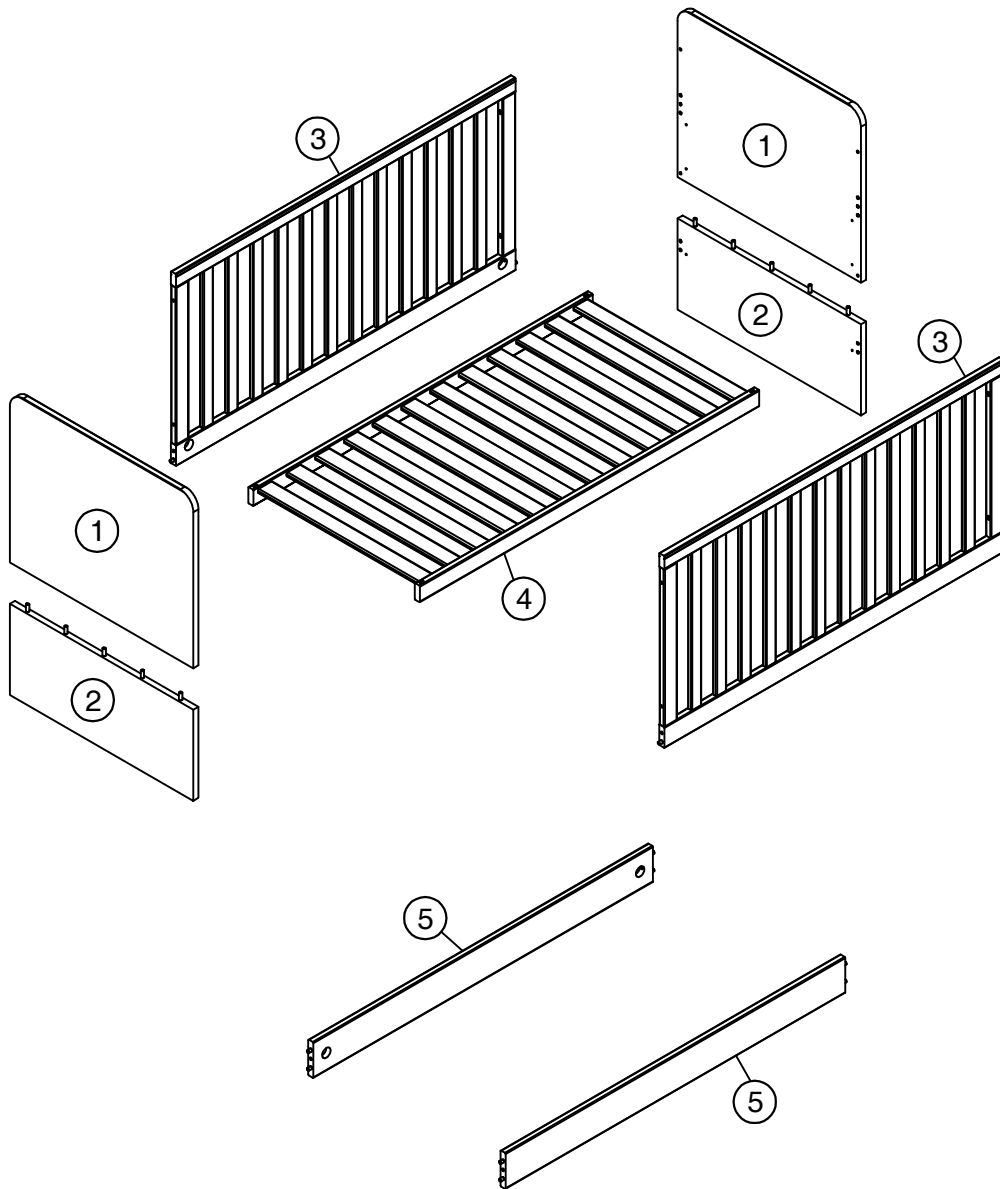
h) All assembly fittings should always be tightened properly and that fittings should be checked regularly and re-tightened as necessary.

i) When the child is able to climb out of the cot, the cot shall no longer be used for that child.

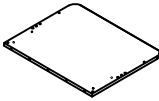
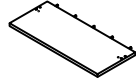
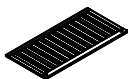


### Testing

This child's bed conforms to BS 8509:2008+A1:2011 and BS EN 716-1:2017

### GETTING TO KNOW YOUR PRODUCT

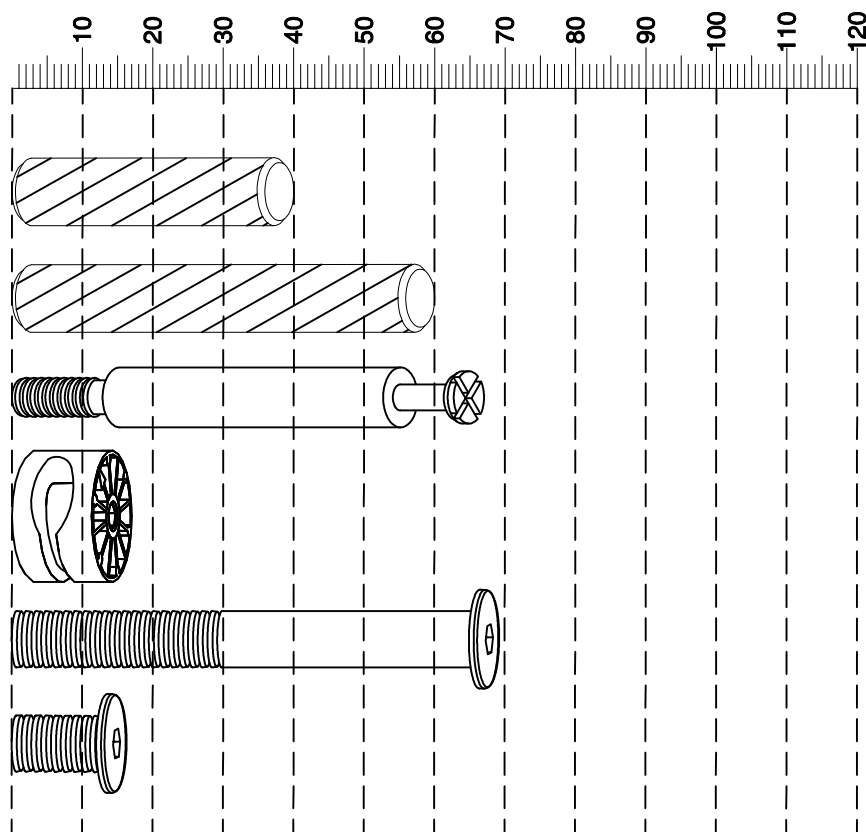


Components supplied. Please use this guide if you require replacement parts.

Ref	Dimensions	Visual	Qty	Ctn
1	75.5 x 62cm		2	1
2	75.5 x 33cm		2	1
3	141x69.5cm		2	2
4	141x71cm		1	2
5	141x13cm		2	2

**Fixtures and fittings supplied (actual size)**

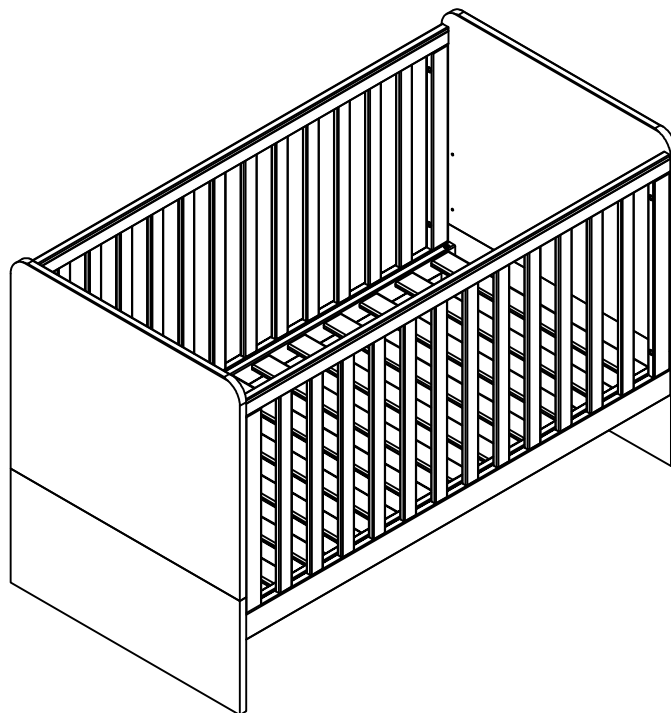
Ref	Dimensions	Qty	Spare Qty
D9	Ø10 x 40mm	N/A	2
D11	Ø10 x 60mm	N/A	2
B24	Ø8.5 x 63mm	4	N/A
B25	Ø35 x 17mm	4	N/A
W31	Ø8 x 65mm	8	N/A
W2	Ø8 x 12mm	8	1



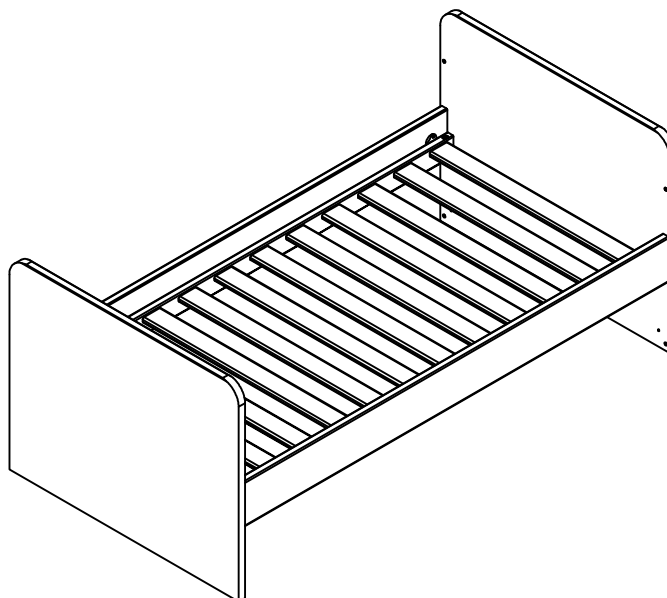
**Fixtures and fittings supplied (not to scale)**

Ref	Dimensions	Qty	Spare Qty	Visual
T1	N/A	2	N/A	
T7	N/A	2	N/A	
T47	N/A	4	N/A	
T46	N/A	4	N/A	

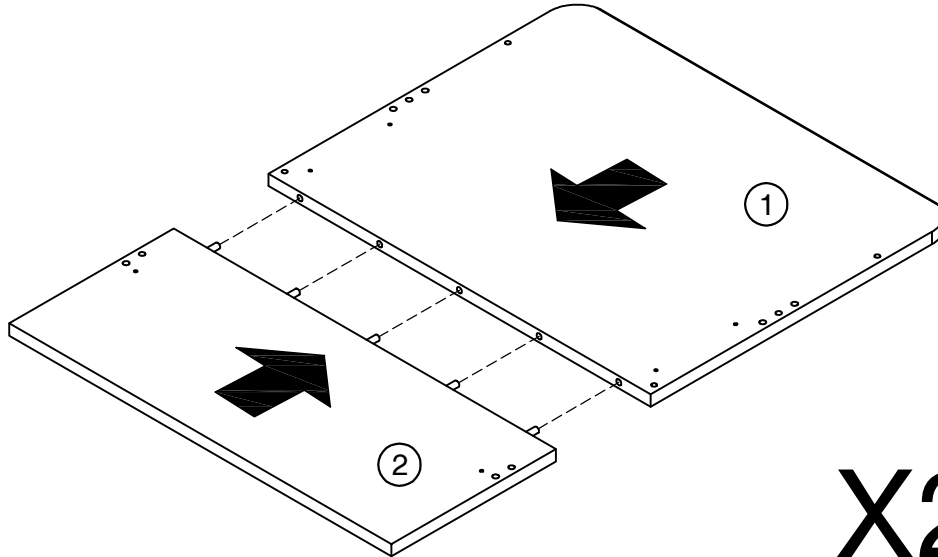
1-7



8-21

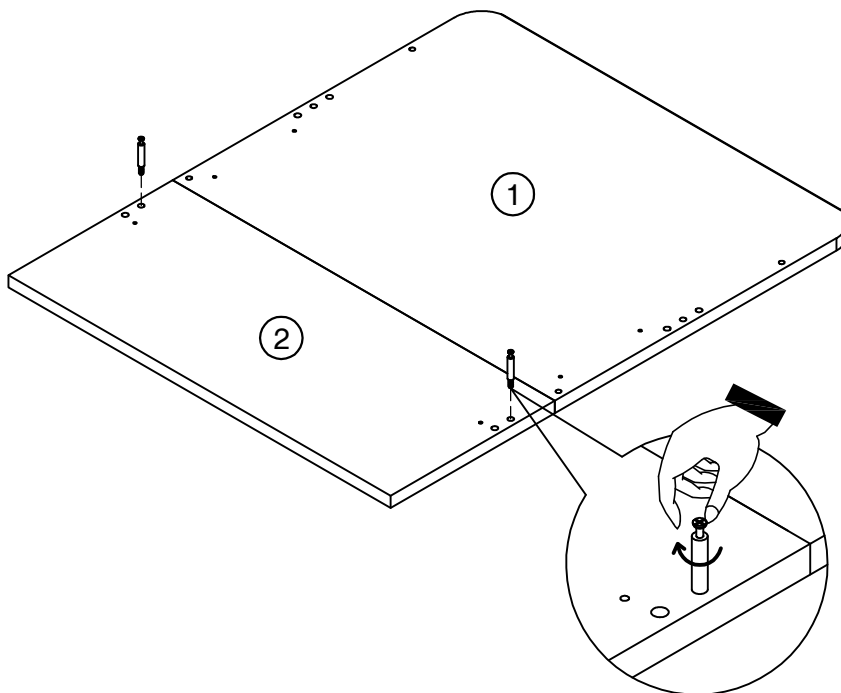


1

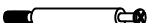


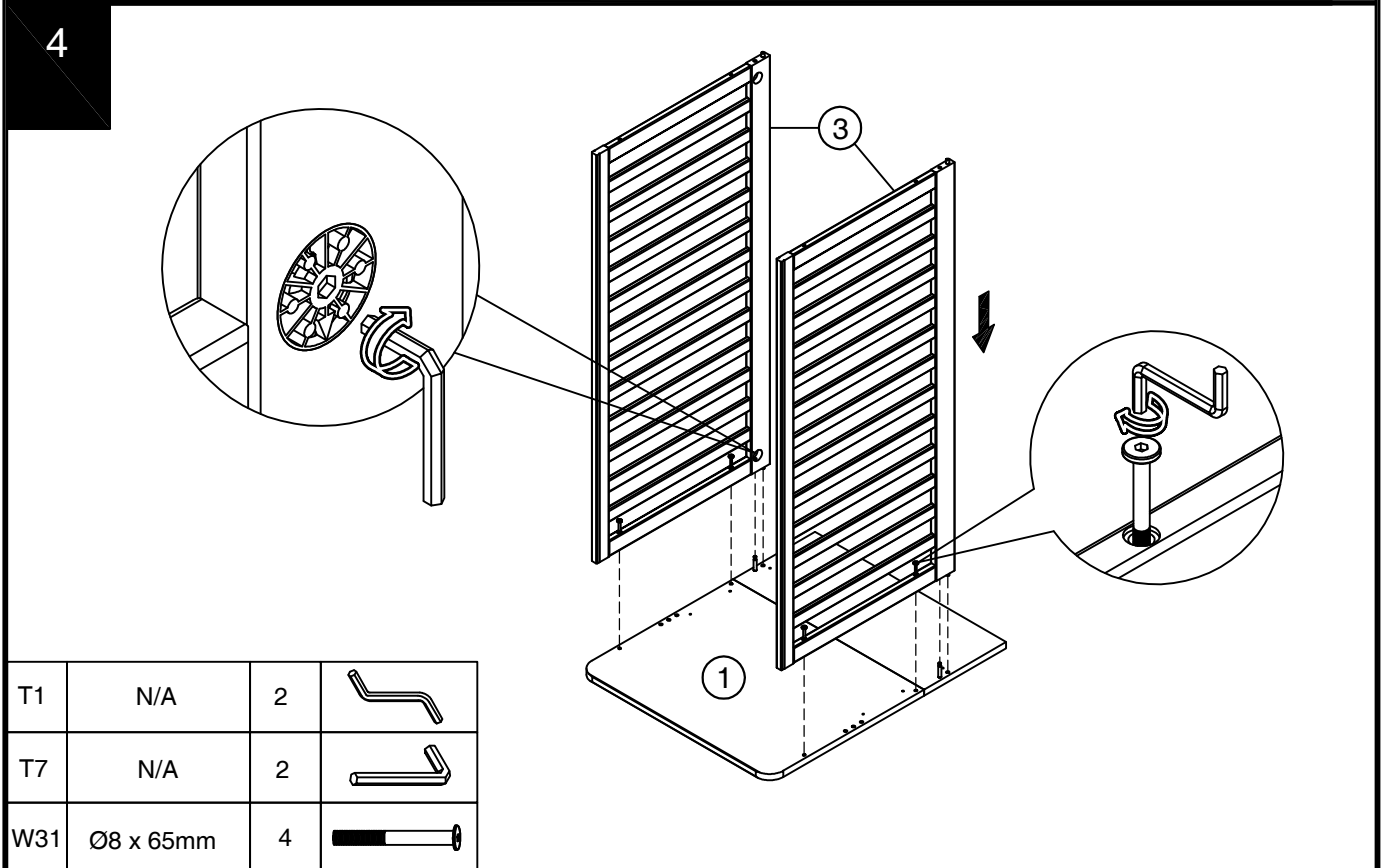
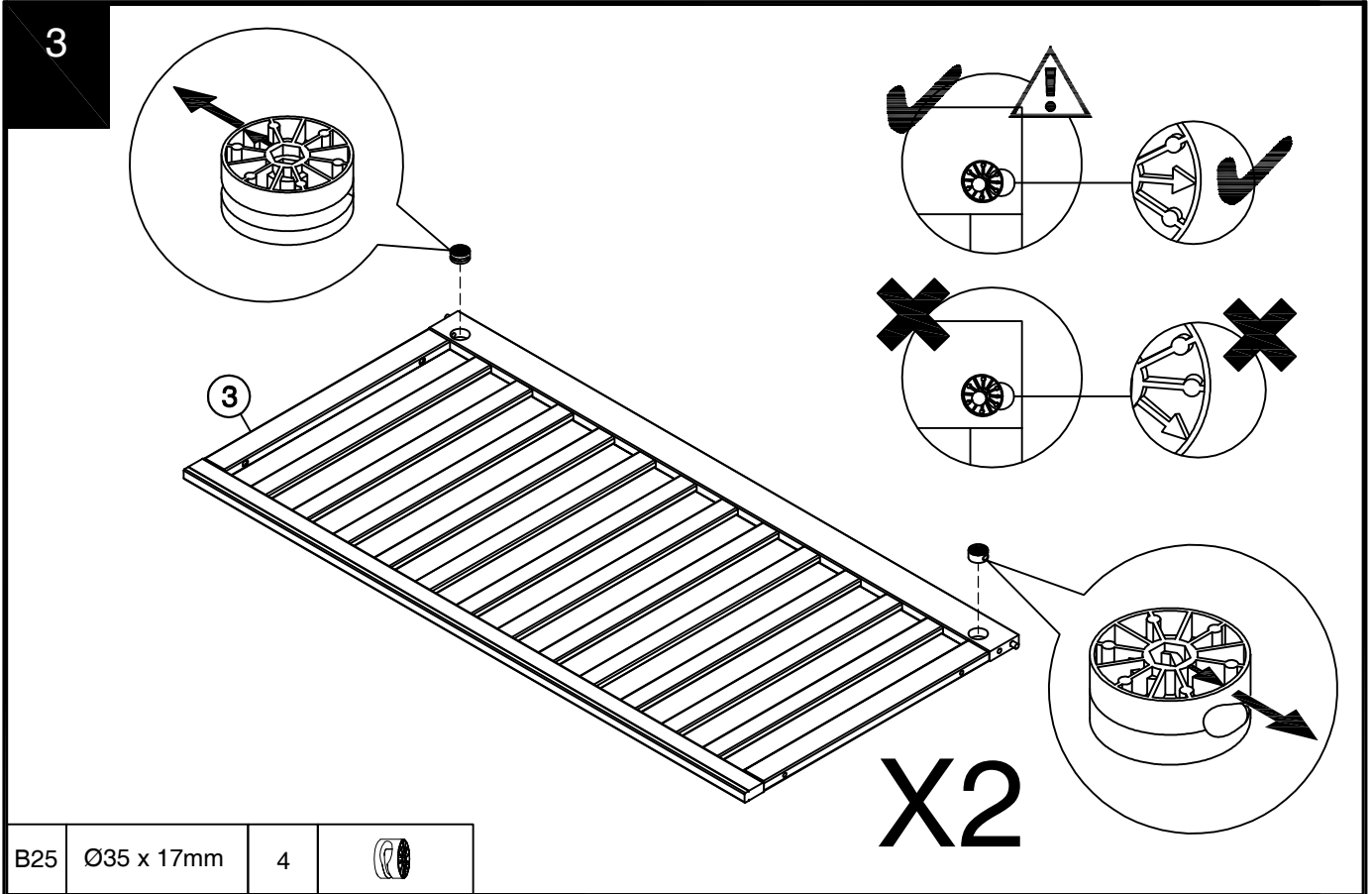
X2

2



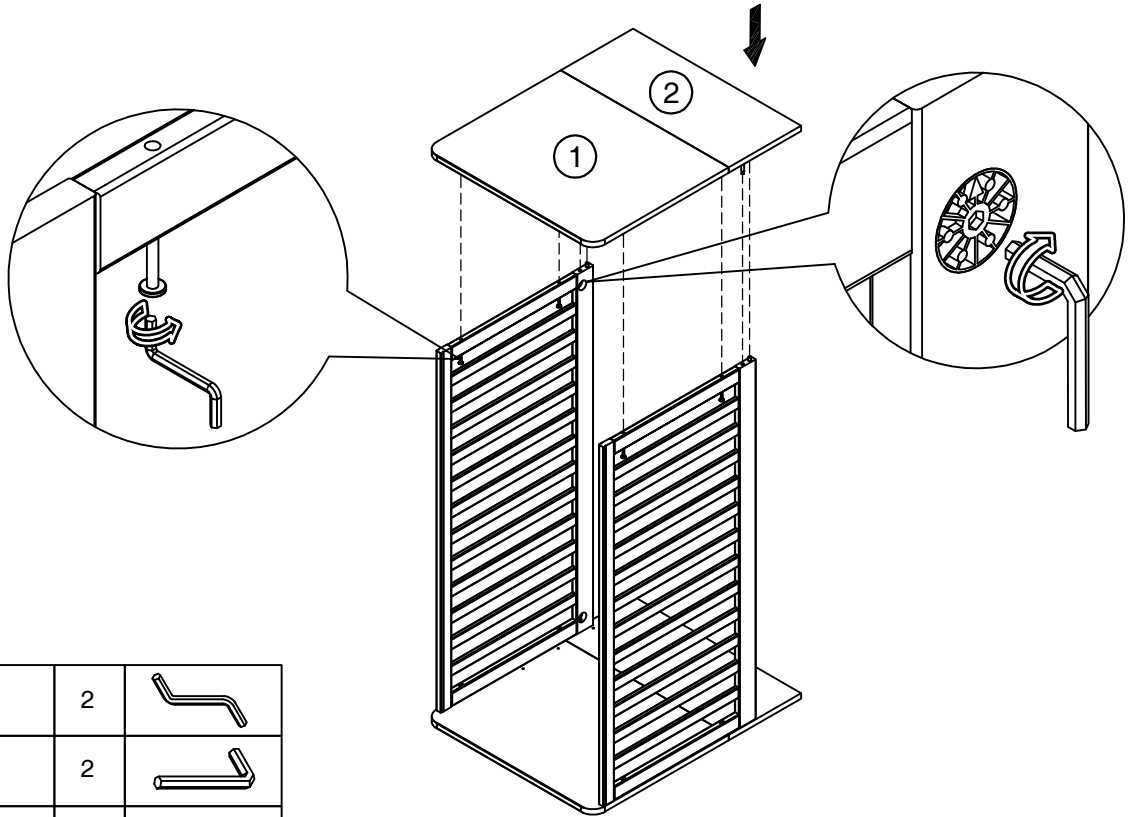
X2

B24	Ø8.5 x 63mm	4	
-----	-------------	---	---



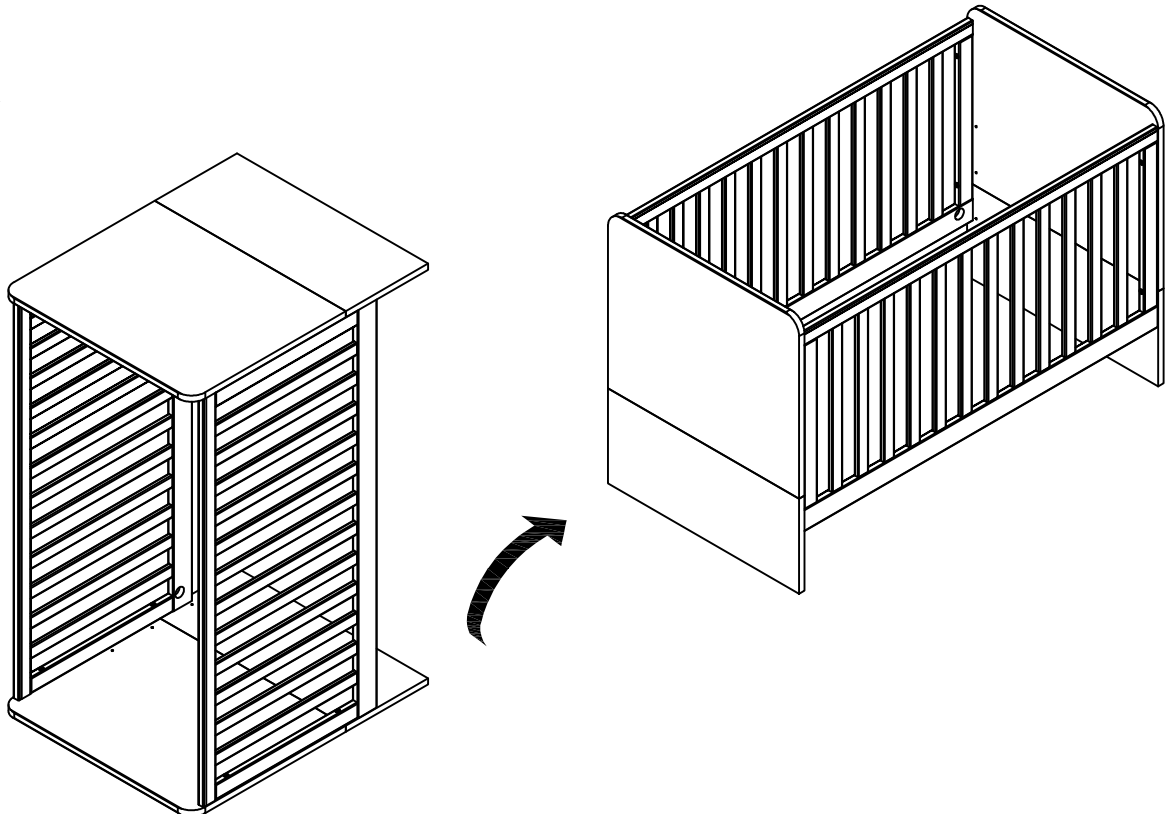


5

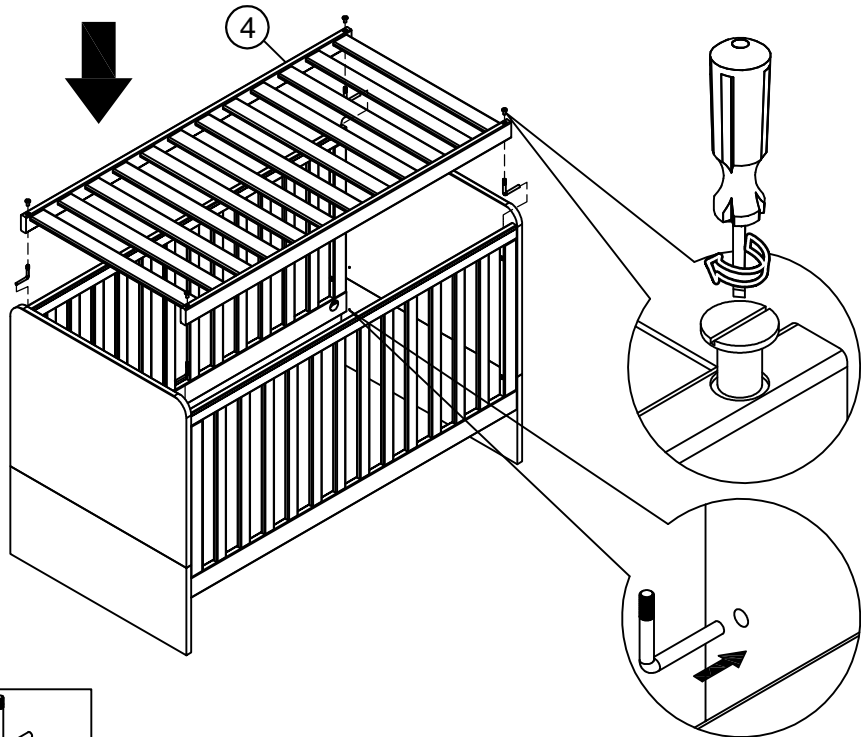




T1	N/A	2	
T7	N/A	2	
W31	Ø8 x 65mm	4	

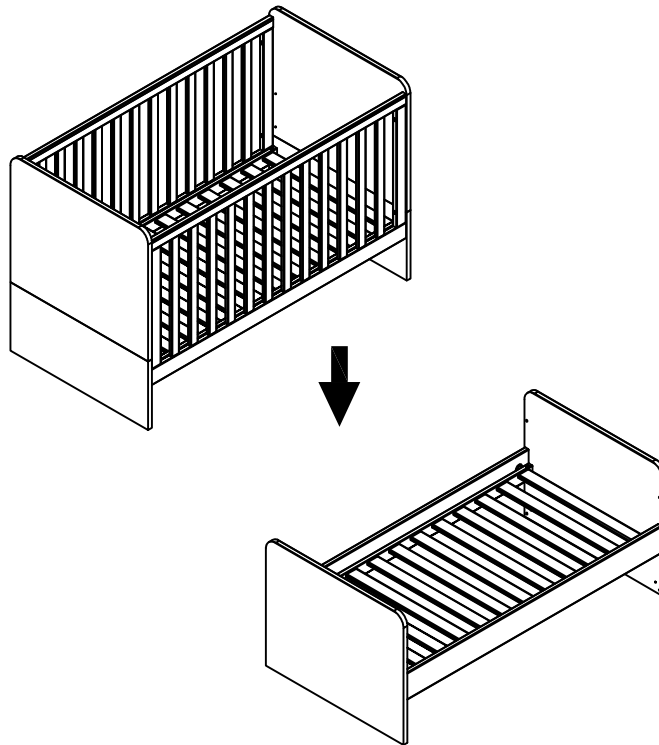
6

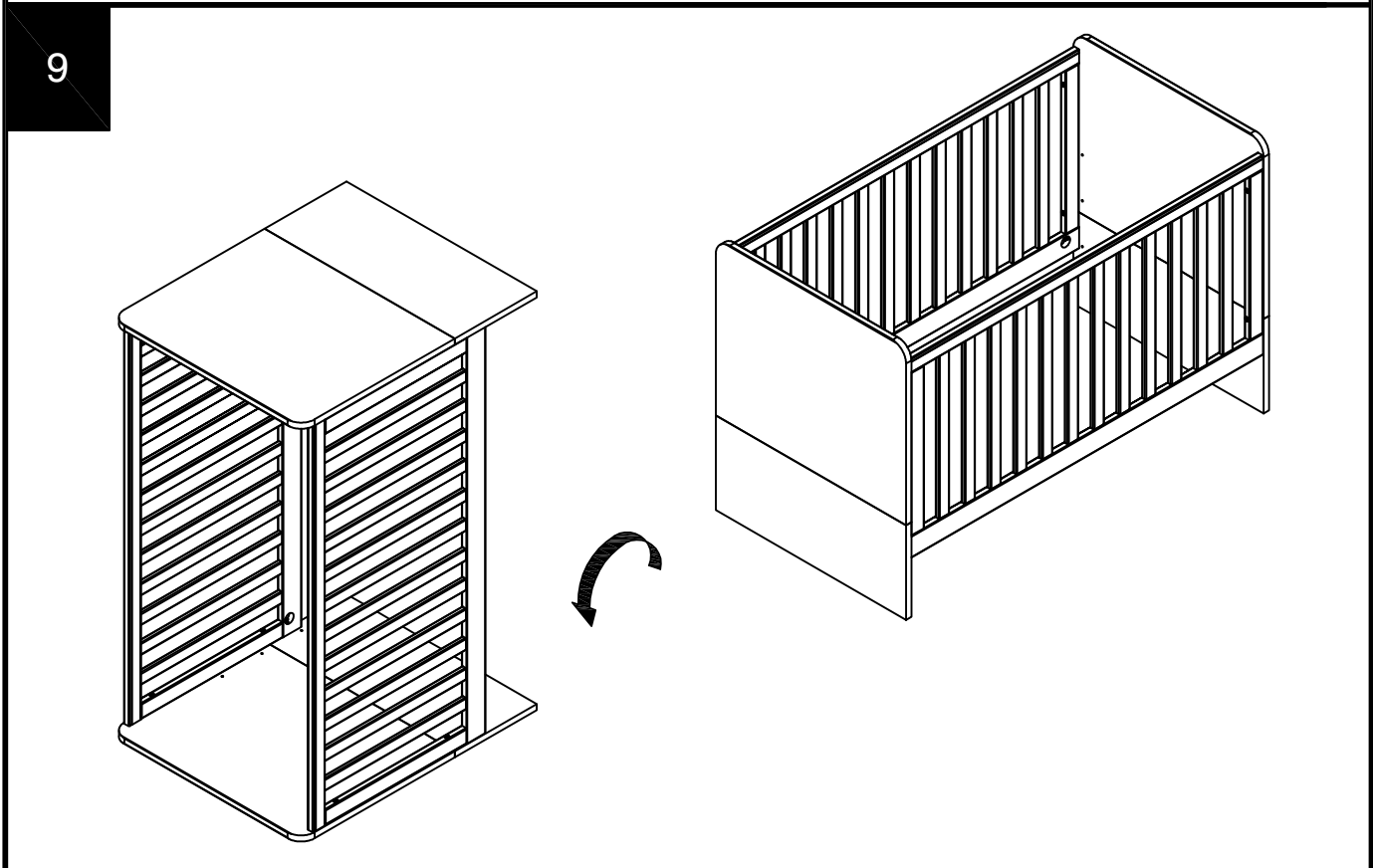
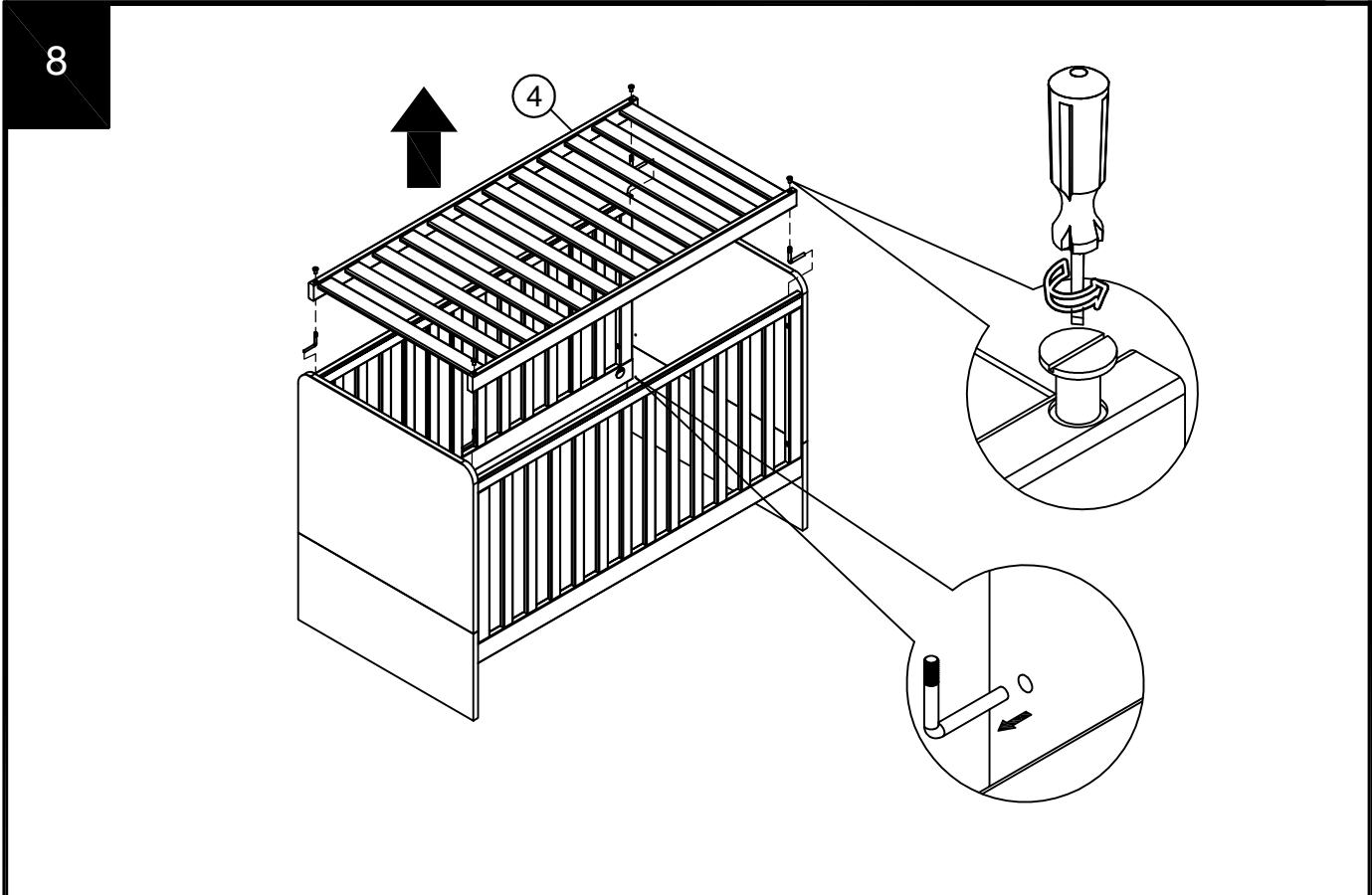


7

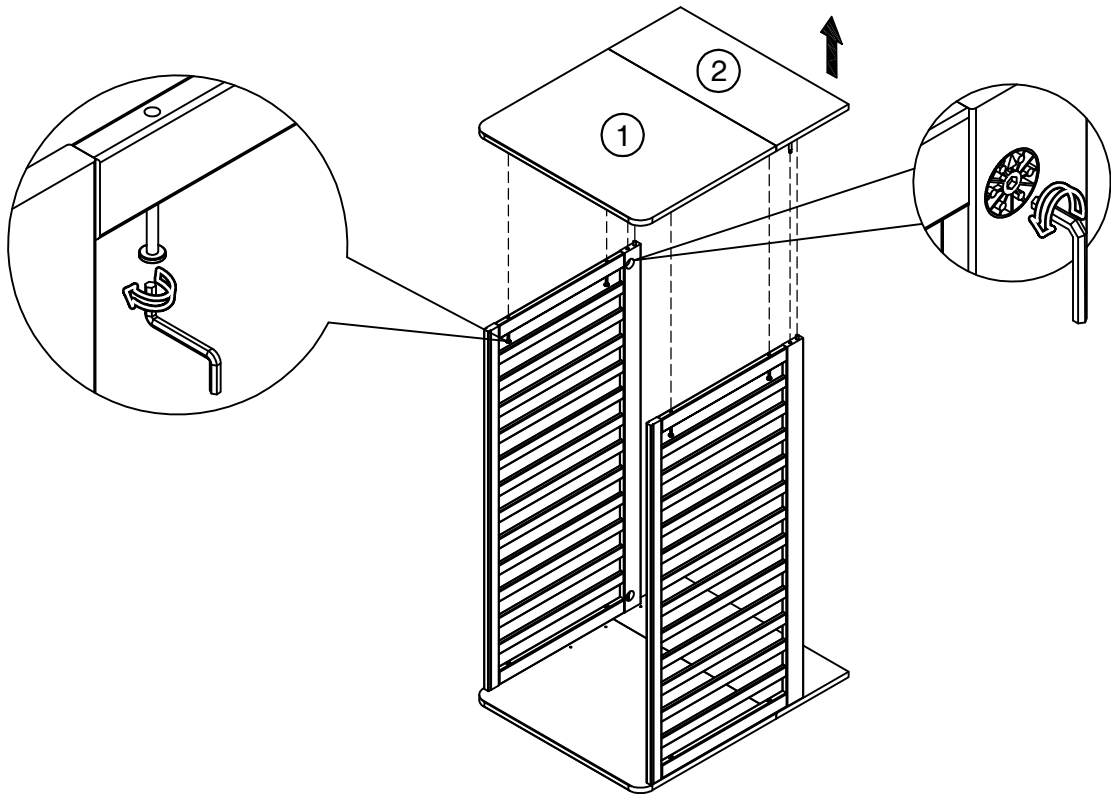


T47	N/A	4	
T46	N/A	4	

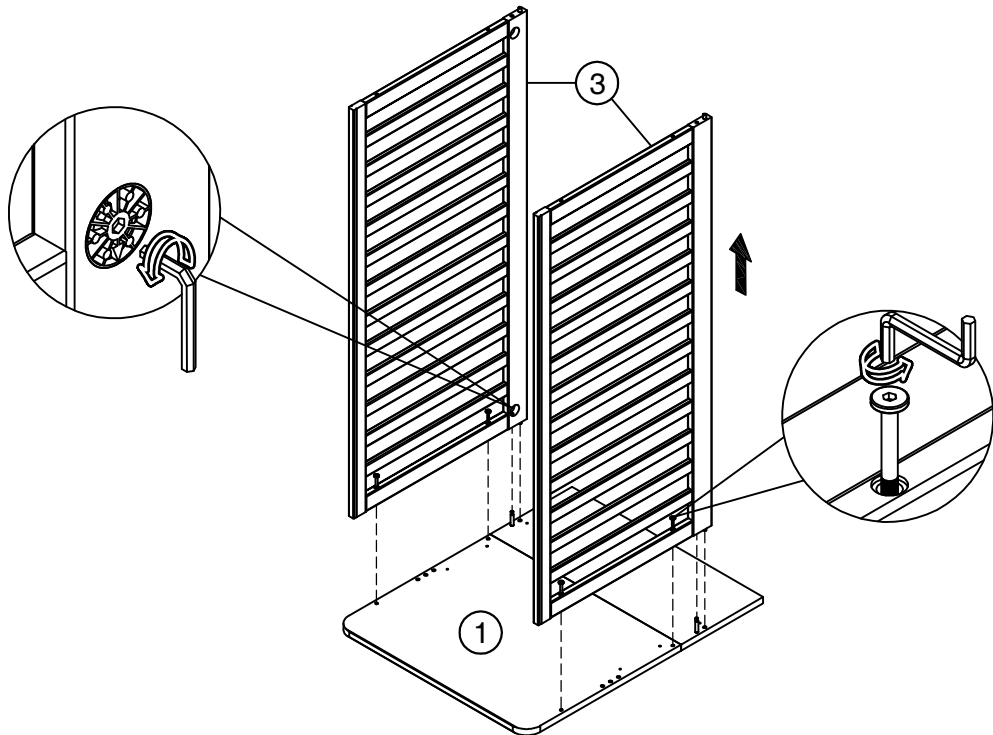




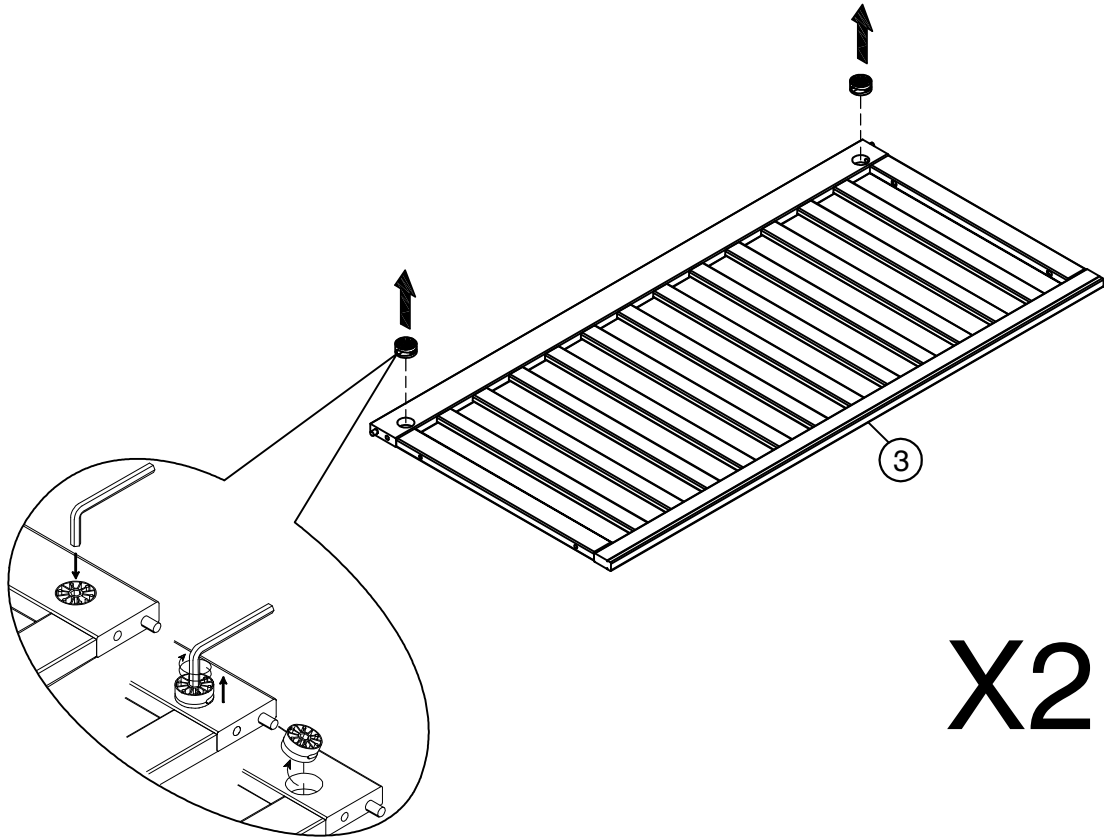
10



11

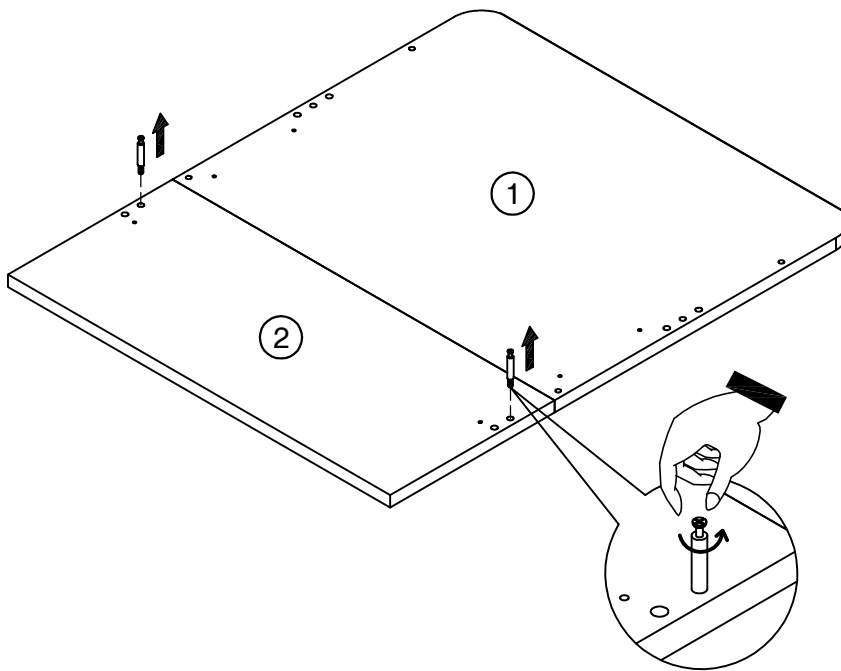


12



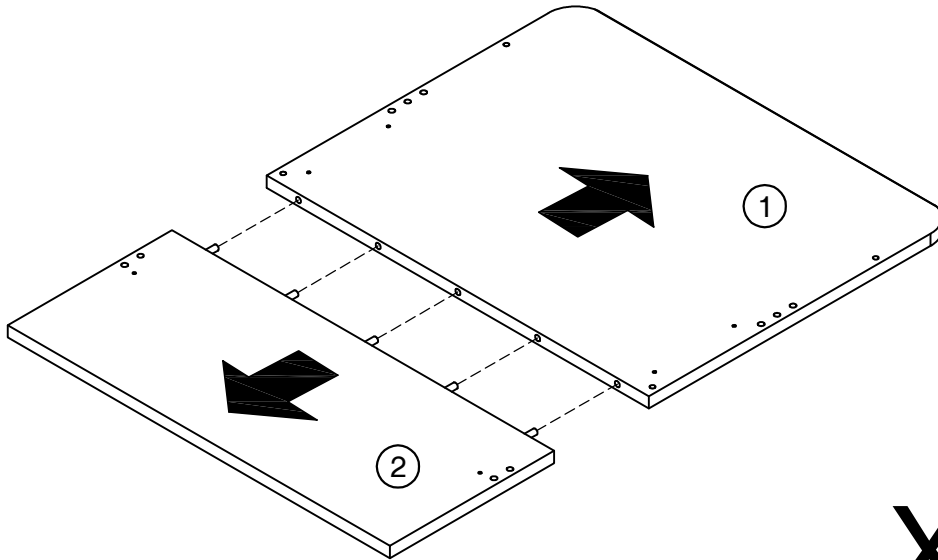
X2

13



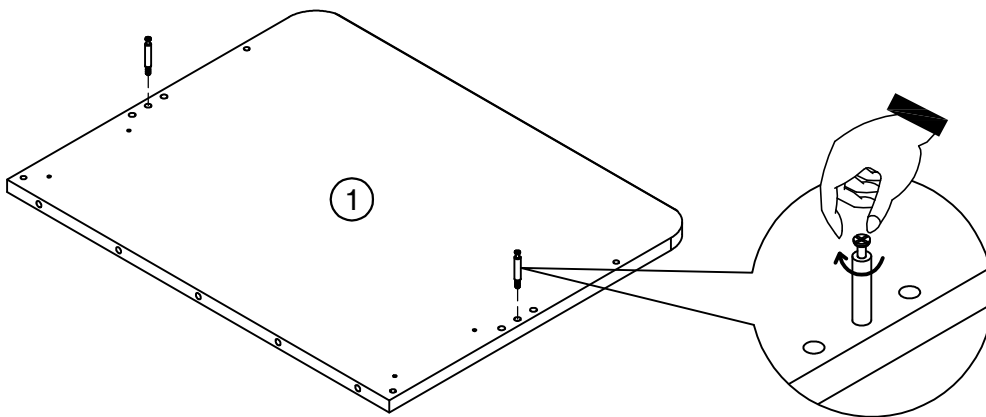
X2

14

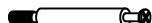


X2

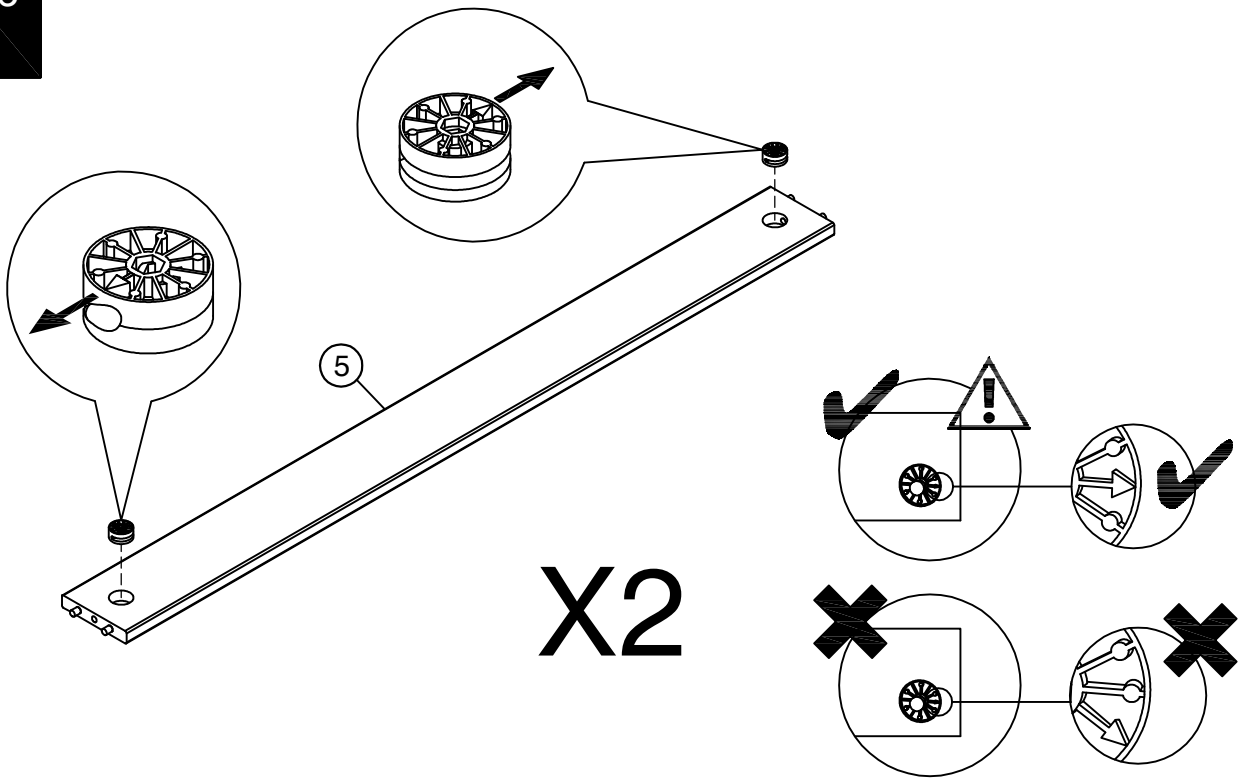
15




X2

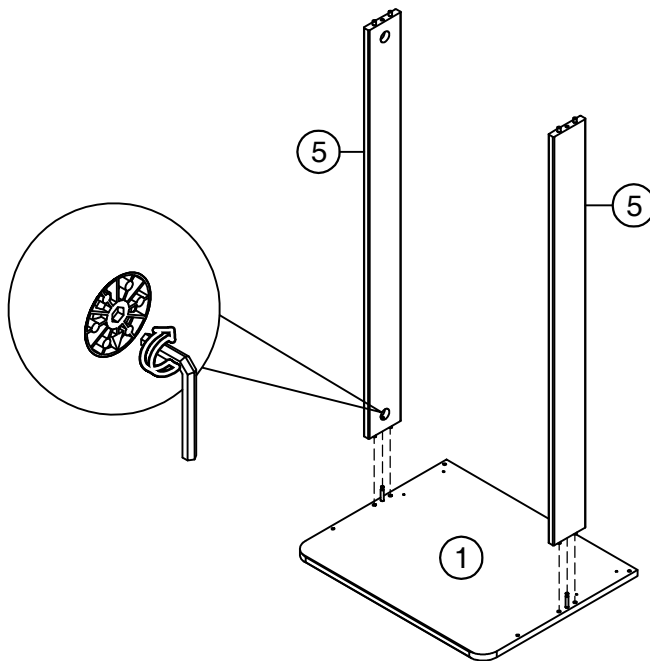
B24	Ø8.5 x 63mm	4	
-----	-------------	---	---

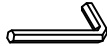
16



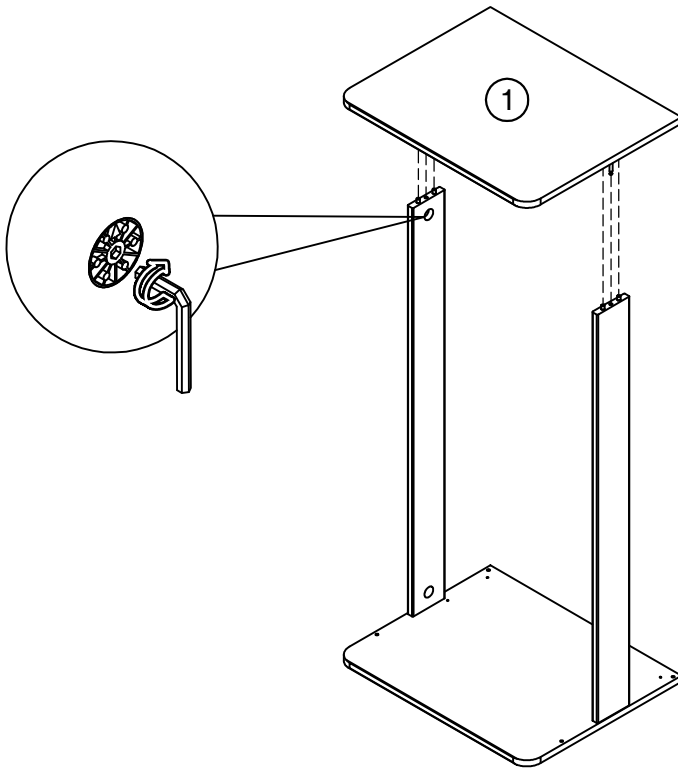
B25	Ø35 x 17mm	4	
-----	------------	---	---

17



T7	N/A	2	
----	-----	---	---

18



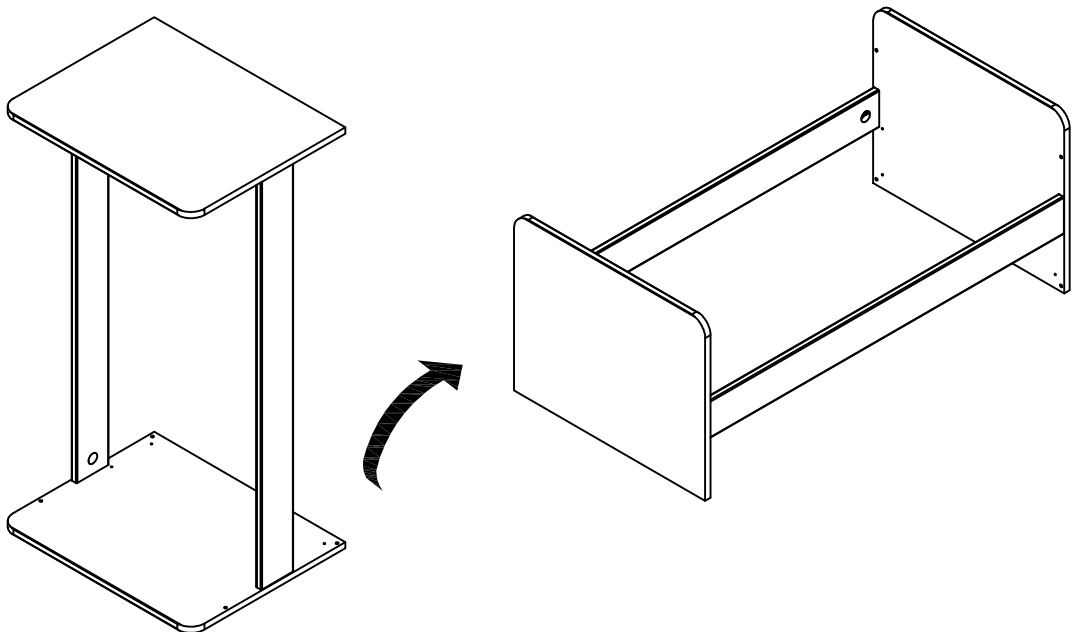
T7

N/A

2

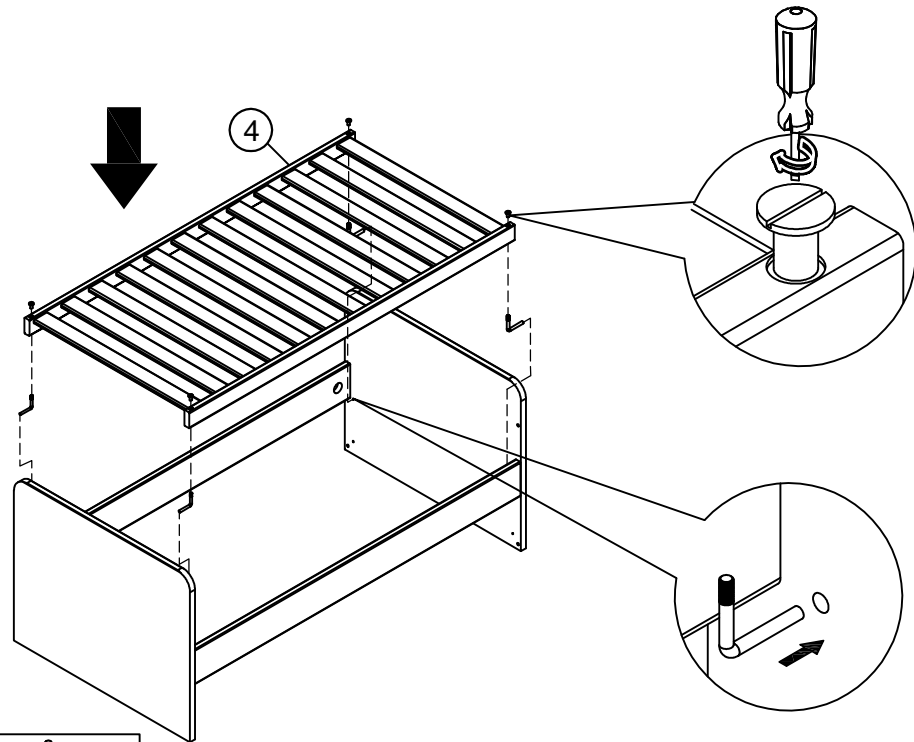




19



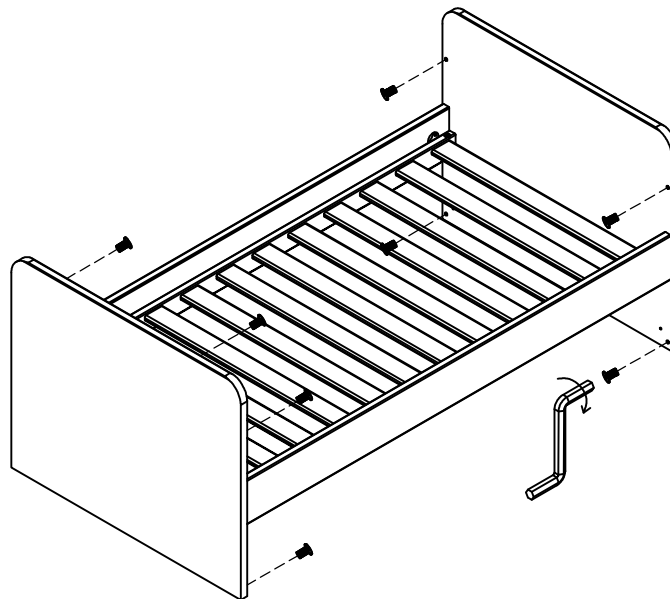




20



T47	N/A	4	
T46	N/A	4	

21



T1	N/A	2	
W2	Ø8 x 12mm	8	

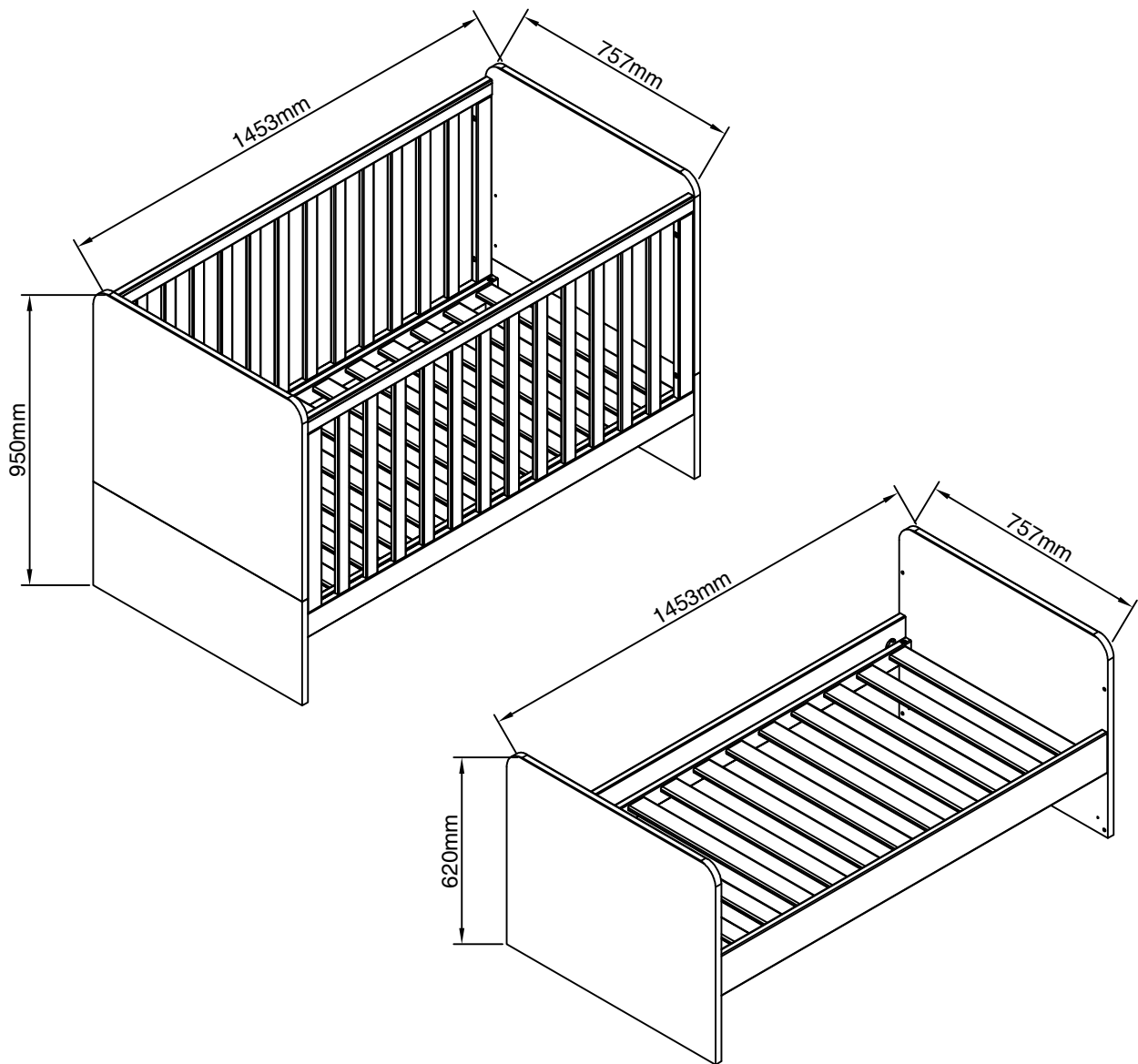
next

PARKER COT BED  
673628

**Actual product size**

H95 x W145.5 x D75.5cm

H62 x W145.5 x D75.5cm



## **Warnings**

We suggest you retain these instructions for future reference.

Keep fittings out of children's reach and keep children well away from construction area.

This product should only be used on firm level ground.

Please periodically check all fittings and re-tighten as necessary.

Please do not sit or stand on your furniture.

Avoid exposing the furniture to excessive heat or direct sunlight as this can cause deterioration of the colour.

Unwrap all packaging materials and place the components on top of the carton box or on a clean floor to protect it from damage

## **Missing parts**

If you are missing any fixtures and fittings for your product. Please contact our customer service team on 0333 777 8999 and they will be happy to arrange for a replacement to be sent to you free of charge.

## **Home service technicians**

If you have a fault with your product, please contact our customer service team on 0333 777 8999. If you have had the product for 28 days or less you may be offered a replacement, refund or for a fully trained home service technician to visit your home to assess the fault and repair the product where possible. If you have had the product for more than 28 days we will send an independent home service technician to review and repair the product where possible and recommend further action.

## **You can write to us at**

Home Customer Services  
Next Retail Ltd.  
Desford Road,  
Leicester,  
LE19 4AT

**To view our full furniture range please visit [www.next.co.uk](http://www.next.co.uk)**