

# BEFORE YOU GET STARTED...

*We're confident you'll love your gorgeous new Next furniture. However, it's worth making absolutely certain before you put it all together.*

*So, let's quickly run through these three steps:*

## 1. COLOUR

Make sure you're happy with the colour  
No need to unpack everything, just check the first component.

## 2. PROTECTIVE PACKAGING

If you're happy, then it's time to get opening! Start by laying everything out on the protective packaging – this will prevent anything getting scratched.

## 3. PARTS PAGE

Finally, double check you have all the pieces by referencing the parts page of the instructions.

## TIPS FOR RETURNS

Not completely happy with the product? No problem.

We just need everything back in the original packaging, so follow the steps below and this will ensure a super-smooth returns process and no delay to your refund.

DO



- Check everything is there (the 'parts page' is a handy checklist).
- Pop all the loose fittings and fixtures into the packaging provided or tie them up in a plastic bag.
- Wrap all the big components back up in the original protective packaging.
- Close up the box and seal it securely (don't be afraid to use plenty of tape).

DON'T



- Leave anything assembled - all components should be dismantled and separately packed.
- Put loose fixtures and fittings straight into the box.
- Throw it back in the box carelessly – as it may get damaged.

next  
HOME

Then just give us a call on 0333 777 8999 and we'll sort out a pick up time for you.

# Langdon Bed

700612

Assembly instructions

**Actual product size**

Double

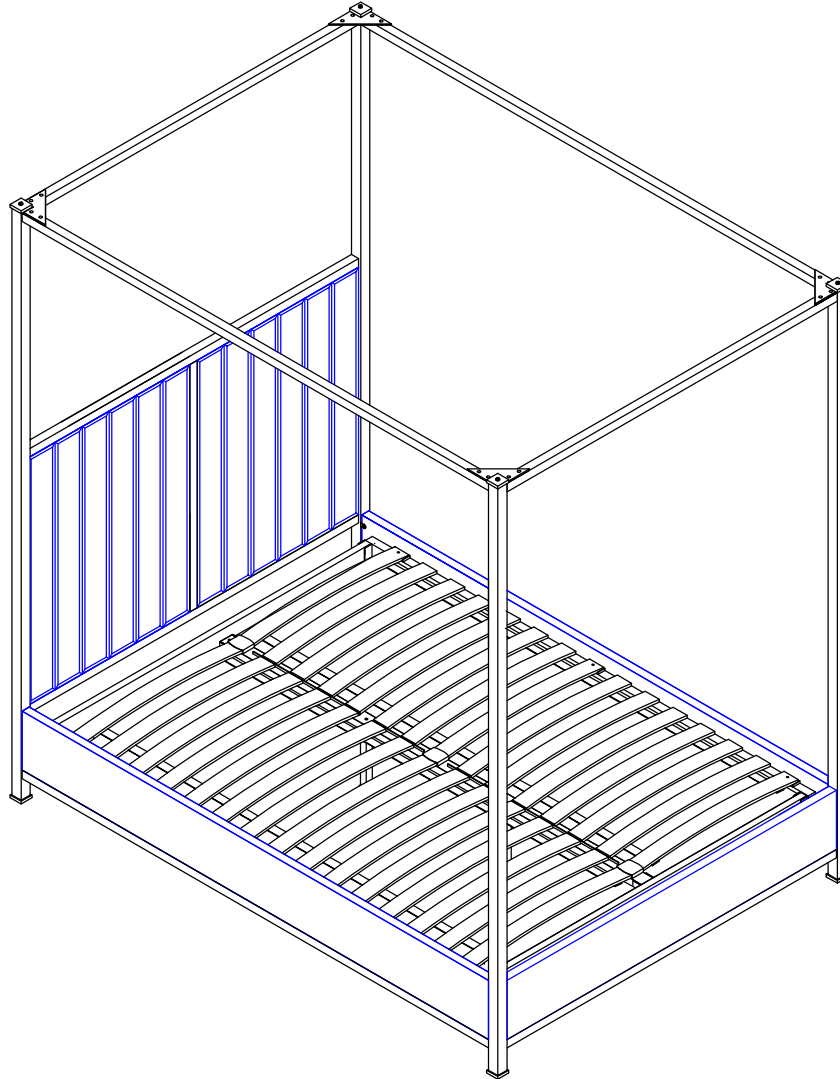
1440x2010x2110mm

King

1590x2110x2110mm

Super King

1890x2110x2110mm



Item	Fabric name	Fabric Composition
700612	Opulent velvet charcoal	100% Polyester

**IMPORTANT-RETAIN FOR FUTURE REFERENCE**

## Need Help?

with: Assembly instructions

Missing or damaged parts

CALL: 0333 777 8999

## BEFORE YOU START

### Warnings

- We suggest you retain these instructions for future reference.
- Keep fittings out of children's reach and keep children well away from construction area.
- This product should only be used on firm, level ground.
- Please periodically check all fittings and re-tighten as necessary.
- Please do not jump or stand on your bed.
- Avoid exposing the furniture to excessive heat or direct sunlight as this can cause cracking of the wood and deterioration of the colour.
- Keep away from strong heat source.
- Do not use this item if components are missing or broken.

### Do's

- We suggest you spend a short time reading through this leaflet before you start.
- When you are ready to start, make sure that you have the right tools, plenty of space.
- Unwrap all packaging materials and place the components on a clean surface to protect them from damage. We recommend that the packaging is used to protect the surface during assembly.
- Carefully check that you have all the parts before beginning assembly.
- Ensure the product is fully assembled as illustrated and all fixings are fully tightened before use.
- Check fixings regularly to ensure they remain tight.
- Always ensure that protectors are used on the legs according to your flooring type.
- When adjusting the support legs ensure that the foot is 5-10mm from the floor surface without the mattress in place. When in use the legs will create the required support.
- To clean your items, please lightly wipe with a slightly dampened cloth.
- For leather items dust regularly with a soft cloth, preferably once a week, to keep the leather pores free from dust particles.
- For velvet items use a soft brush lightly dress the fabric. Lightly wipe with a slightly dampened cloth to clean.
- For velvet items avoid scratching the fabric as the pile may not recover and permanently mark it.

### Don'ts

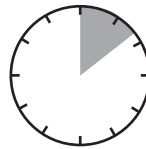
- Do not drag your assembled bed. Always lift the bed and check that the centre support rail is securely fixed in place.
- Apply adhesive substrates of example, sticky tape to the product.
- Do not use silicone based furniture polish. Silicone in furniture polishes can break down the lacquer finish.

### Number of people required to assemble

Two people are required to assemble this item.



### Time to assemble



60 minutes

### Missing parts

If you are missing any fixtures and fittings for your product please contact our customer service team on **0333 777 8999** and they will be happy to arrange for a replacement to be sent to you free of charge.

### Home service technicians

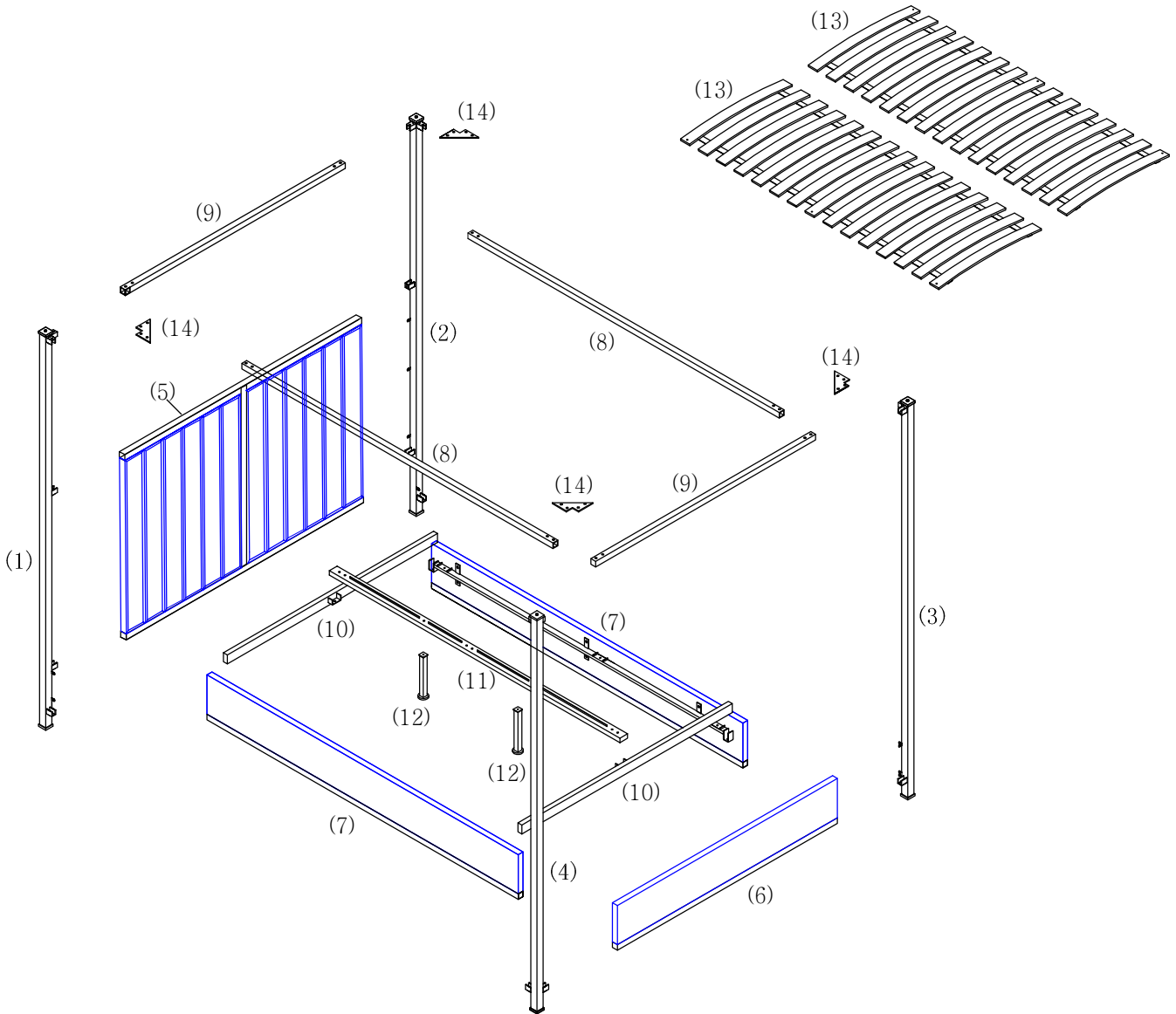
If you have a fault with your product please contact our customer service team on **0333 777 8999**. If you have had the product for 28 days or less you may be offered a replacement, refund or for a fully trained home service technician to visit your home to assess the fault and repair the product where possible. If you have had the product for more than 28 days we will send an independent home service technician to review and repair the product where possible and recommend further action.

### You can write to us at

Home Customer Services  
Next Retail Ltd,  
Desford Road,  
Leicester,  
LE19 4AT,





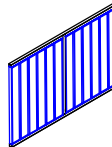
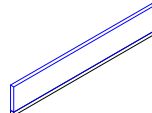
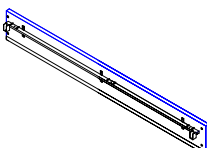
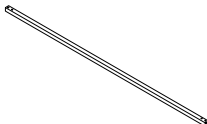
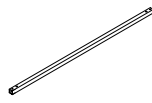
To view our full furniture range please visit [www.next.co.uk](http://www.next.co.uk)

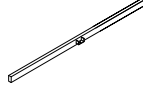

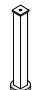
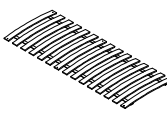
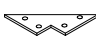
GETTING TO KNOW YOUR PRODUCT



## GETTING TO KNOW YOUR PRODUCT

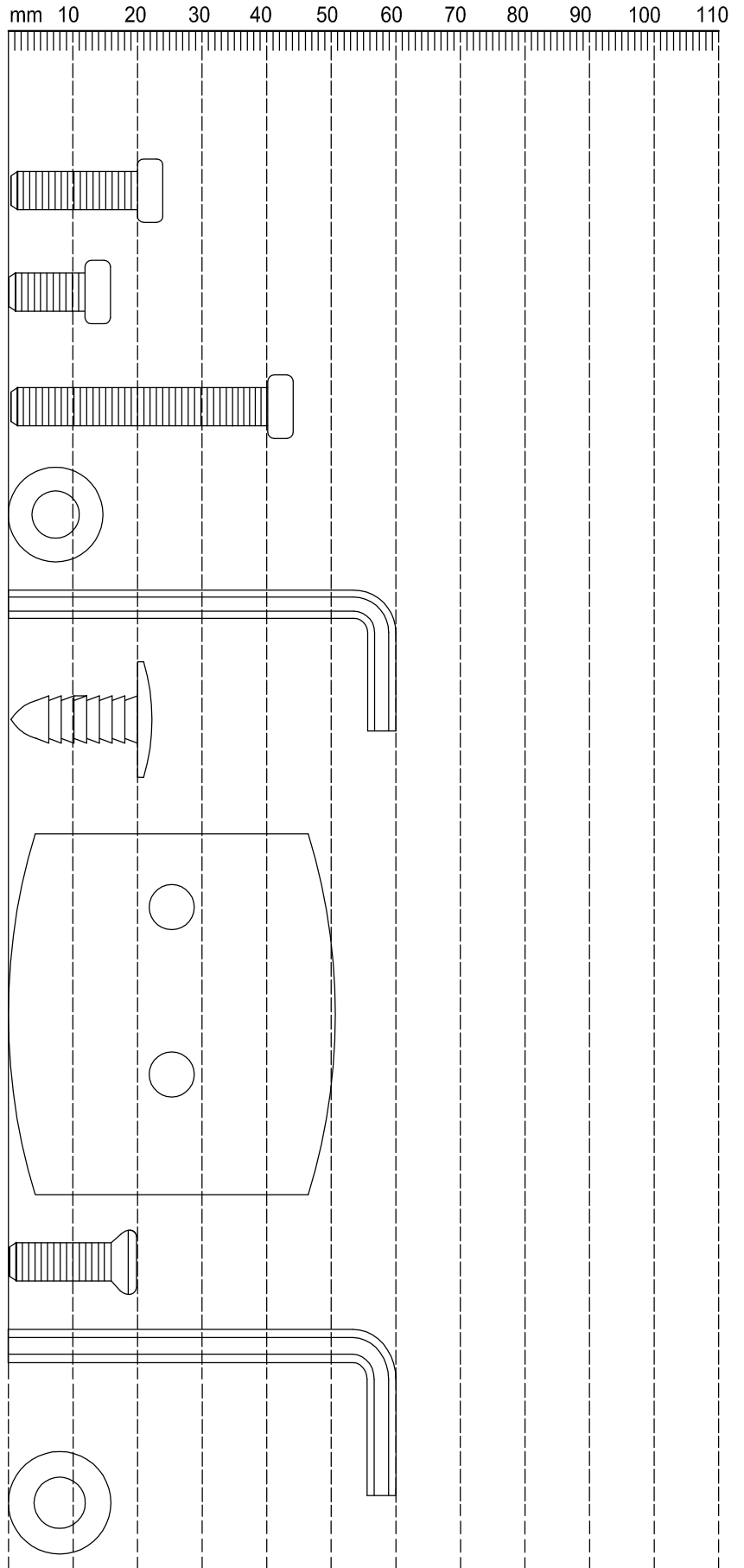
**Components supplied** -Use this guide if you require a replacement part.

Ref	Dimensions	Visual	Qty
1	40x40x2110mm		1
2	40x40x2110mm		1
3	40x40x2110mm		1
4	40x40x2110mm		1
5	1350x30x940mm 1500x30x940mm 1800x30x940mm		1
6	1350x30x300mm 1500x30x300mm 1800x30x300mm		1
7	1930x30x300mm 2030x30x300mm		2
8	1920x30x30mm 2020x30x30mm		2
9	1360x30x30mm 1510x30x30mm 1810x30x30mm		2

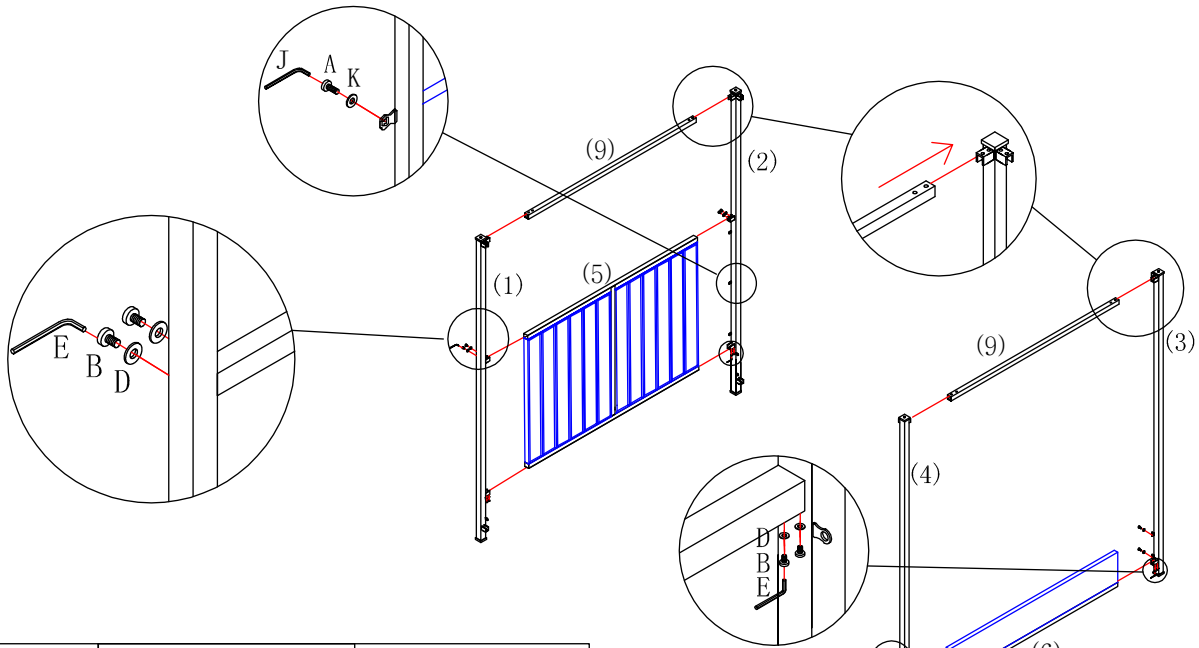
Ref	Dimensions	Visual	Qty
10	1356x25x50mm 1515x25x50mm 1815x25x50mm		2
11	1720x25x50mm 1820x25x50mm		1
12	H260mm		2
13	680x62x9x13mm 755x62x9x15mm 905x62x9x15mm		3
14	100x100x3mm		4

**Fixtures and fittings  
supplied (actual size)**

Ref	Dimensions	Qty	Spare
A	M8x20mm	18	1
B	M6x12mm	26	1
C	M8x40mm	2	1
D	Ø16x6	26	1
E	4mm	1	N/A
F	18x20mm	6	1
G	57x50x13mm	3	
H	M6x16mm	16	1
J	M5	1	
K	Ø22x8	20	



1



**Ax10**

M8x20mm



**Bx12**

M6x12mm



**Kx10**

Ø22x8



**Dx12**

Ø16x6



**Ex1**

4mm

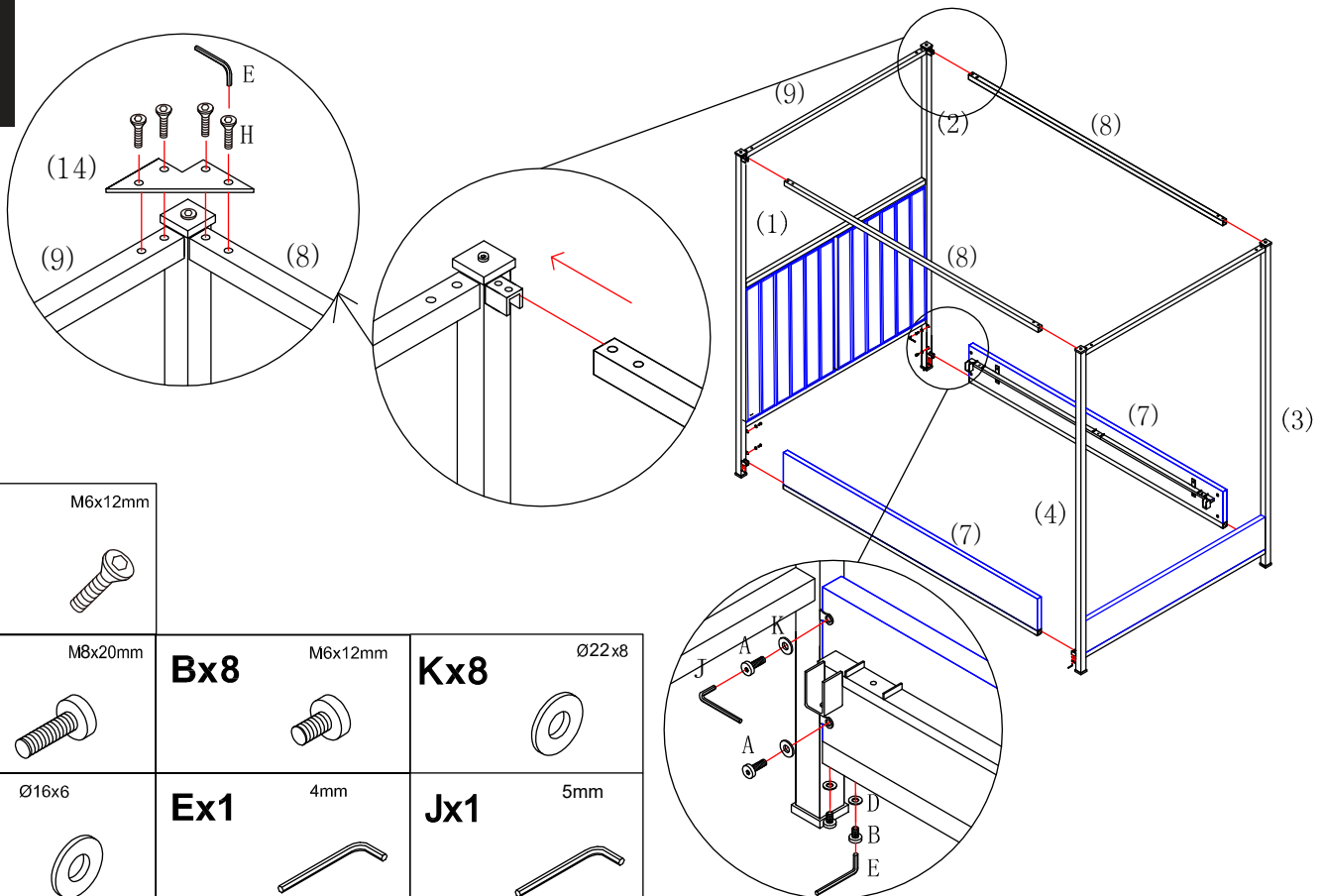


**Jx1**

5mm



2



**Hx16**

M6x12mm



**Ax8**

M8x20mm



**Bx8**

M6x12mm



**Kx8**

Ø22x8



**Dx8**

Ø16x6



**Ex1**

4mm

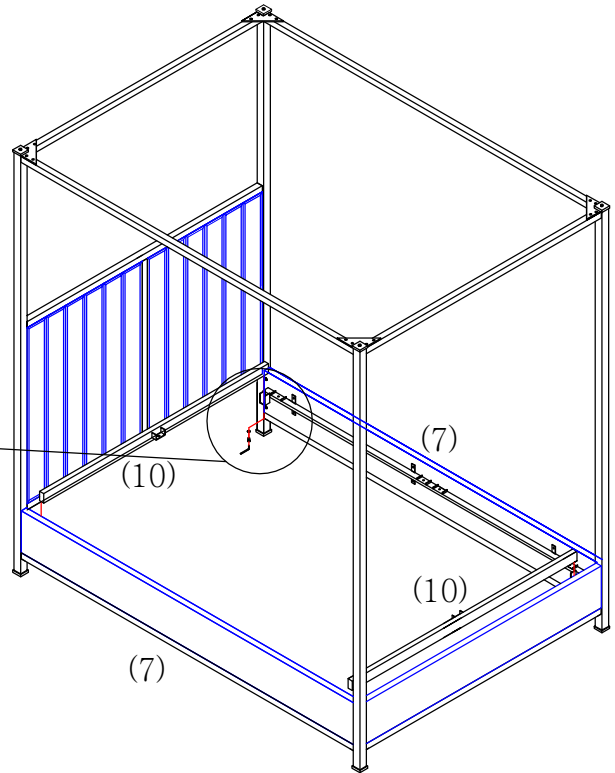
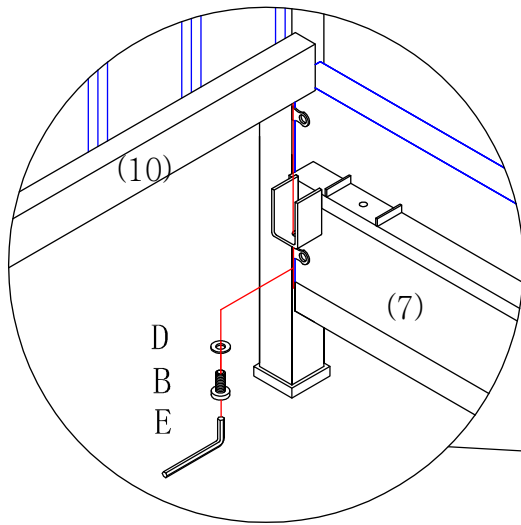


**Jx1**

5mm



3



**Bx4**

M6x12mm



**Dx4**

Ø16x6

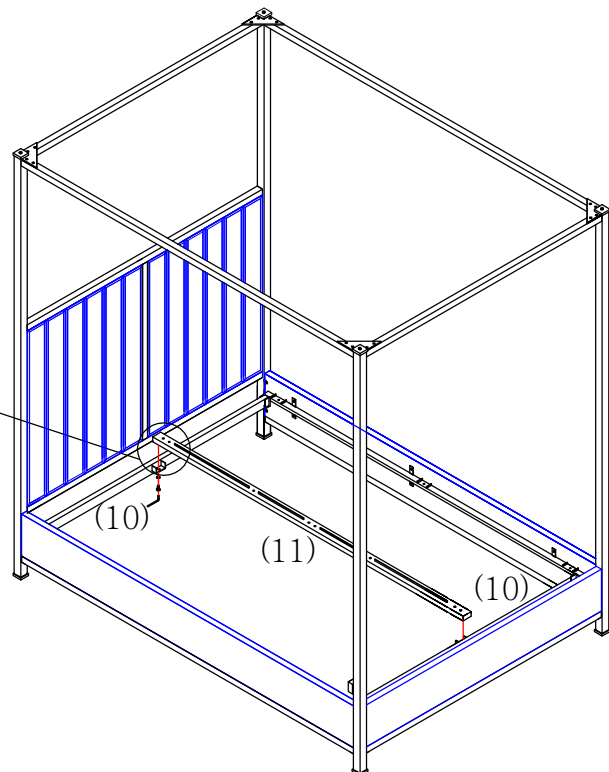
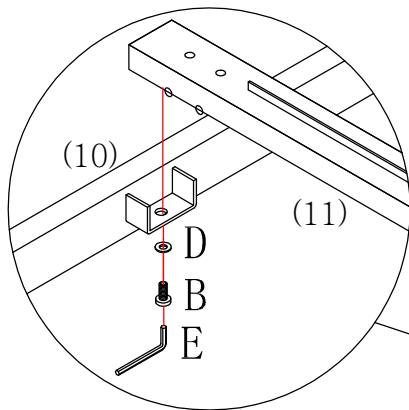


**Ex1**

4mm



4



**Bx2**

M6x12mm



**Dx2**

Ø16x6



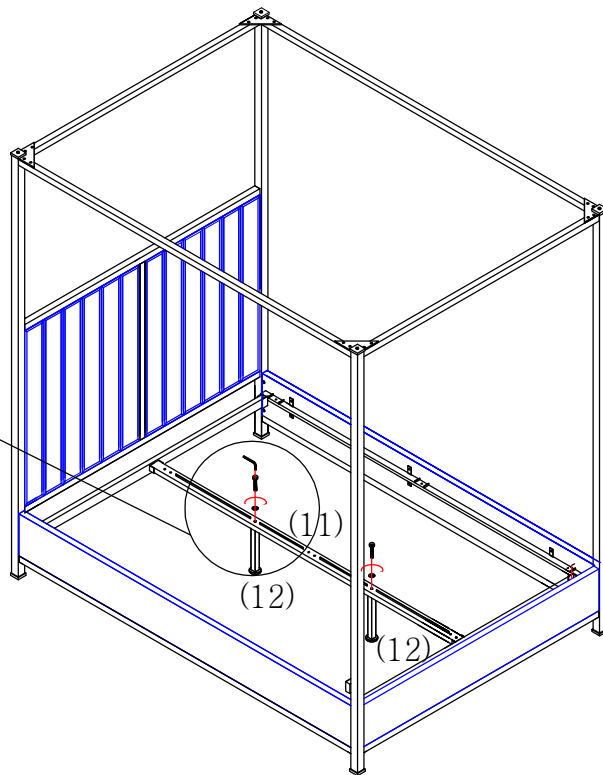
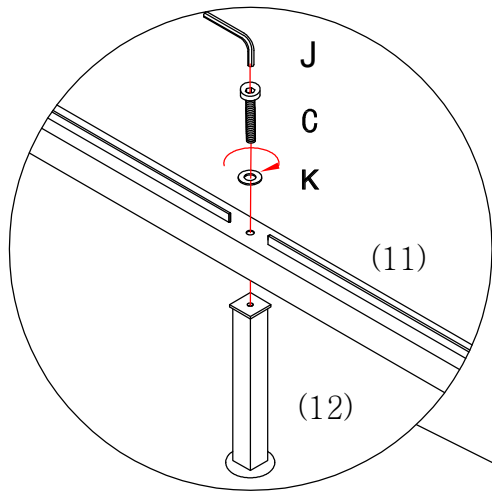
**Ex1**

4mm



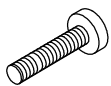


5



Cx2

M8x40mm



Kx2

Ø22x8



Jx1

5mm



6

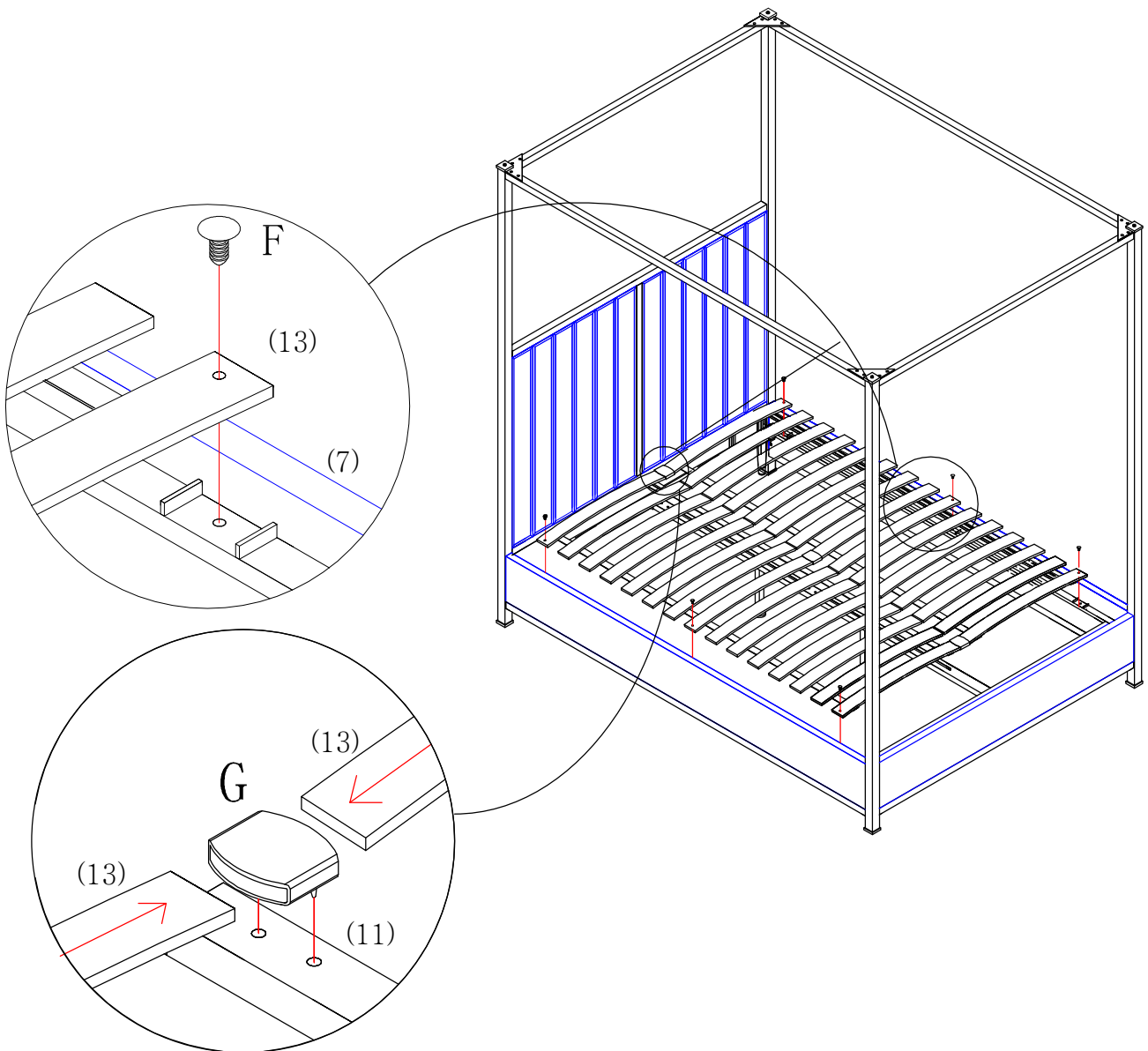
Once the feet have been assembled and attached, they should be adjusted to ensure they do not touch the floor, (5mm above the floor) to allow for movement once the mattress is placed on the bed frame.

It is important to note that when moving the bed that it is not dragged into its new position to prevent the possibility of these feet being twisted or angled to one side, which could lead to the collapse of the centre of the bed.

To move the bed, remove the mattress and lift the bed into its new position to avoid damage. Ensure the feet are at 90° to the floor before replacing the mattress.



7



**Fx6**

18X20mm



**Gx3**

54X50X13mm



Internal Dimension

Double	King	Super King
1370x1920mm	1520x2020mm	1820x2020mm

