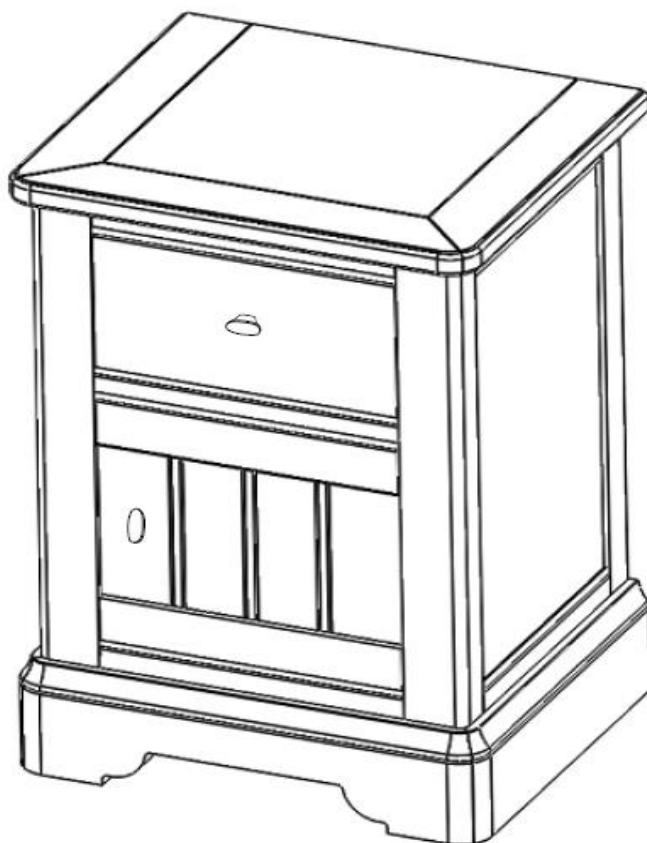


# next HAMPTON BEDSIDE

**Actual product size**  
H66 x W46 x D40cm



**720384 Hampton Bedside Chalk**

**352401 Hampton Bedside Mink**

**747400 Hampton Bedside Stone**

**IMPORTANT – RETAIN FOR FUTURE REFERENCE**

**Need Help?**

With: Assembly instructions  
Missing or damaged parts

**CALL: 0333 777 8999**

## BEFORE YOU START

### Warnings

We suggest you retain these instructions for future reference.

Keep fittings out of children's reach and keep children well away from the construction area.

This product should only be used on firm, level ground.

Please do not sit or stand on your furniture.

Avoid exposing the furniture to excessive heat or direct sunlight as this can cause deterioration of the colour.

### Do's

We suggest you spend a short time reading through this leaflet before you start.

Carefully check that you have all the parts before beginning assembly.

Ensure the product is fully assembled as illustrated and all fixings are fully tightened before use.

Wipe occasionally with a soft cloth slightly dampened with water. The buff with a dry clean soft cloth.

Wood will mellow and change colour over time, we recommend that ornaments and items placed on the surface are moved regularly for the first few months to prevent uneven mellowing.

### Don'ts

Do not drag or pull your furniture.

Do not use silicone based furniture polish. Silicone in furniture polishes can break down the finish.

Never allow any kind of liquid to remain on your furniture. Absorption can cause wood to warp or finishes to de-laminate.

Do not place hot items (e.g. hot drinks) directly on to the wood surface. Please make sure you use a placement or coaster.

### Number of people required to assemble

Two persons are required to assemble this item.

### Time to assemble



10 min

### Tools to required

No assembling required. For safety please ensure product is secured to you wall with the fixing provided.

### Missing parts

If you are missing any fixtures and fittings for you product please contact our customer service team on 0333 777 8999 and they will be happy to arrange for a replacement to be sent to you free of charge.

### Home service technicians

If you have a fault with your product please contact our customer service team on 0333 777 8999. If you have had the product for 28 days or less you may be offered a replacement, refund or for a fully trained home service technician to visit your home to assess the fault and repair the product where possible. If you have had the product for more than 28 days we will send an independant home service technician to review and repair the product where possible and recommend further action.

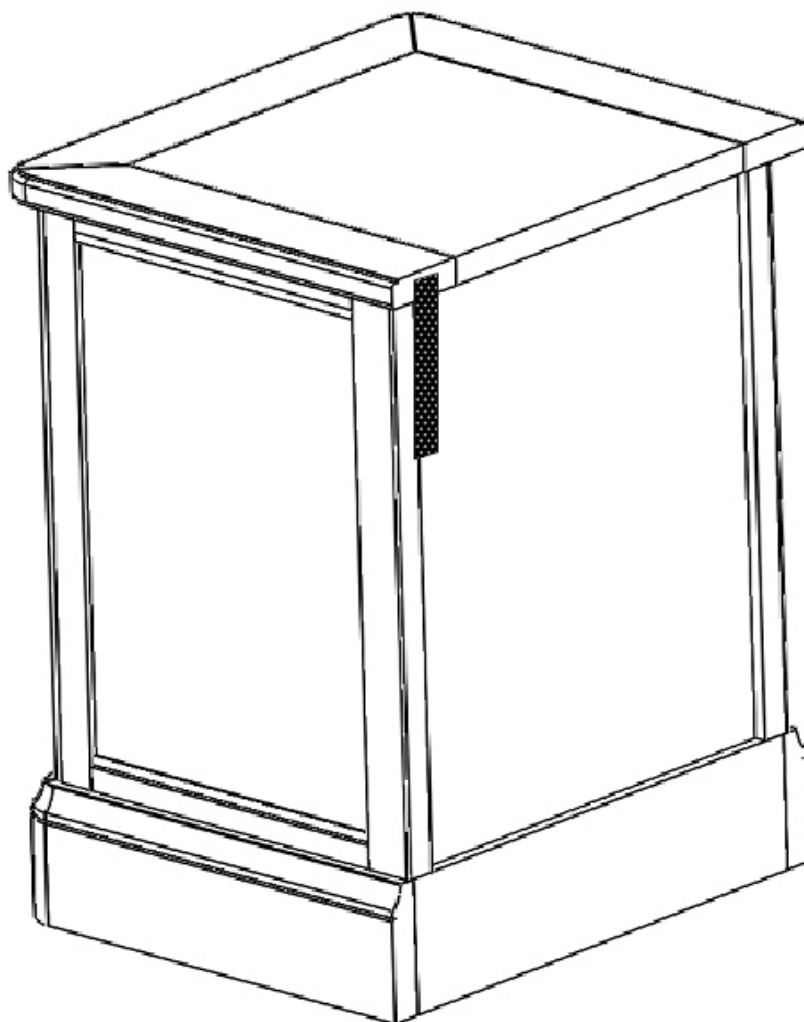
### You can write to us at

Home Customer Services  
Next Retail Ltd,  
Desford Road,  
Leicester,  
LE19 4AT

To View our full furniture range please visit  
[www.next.co.uk](http://www.next.co.uk)

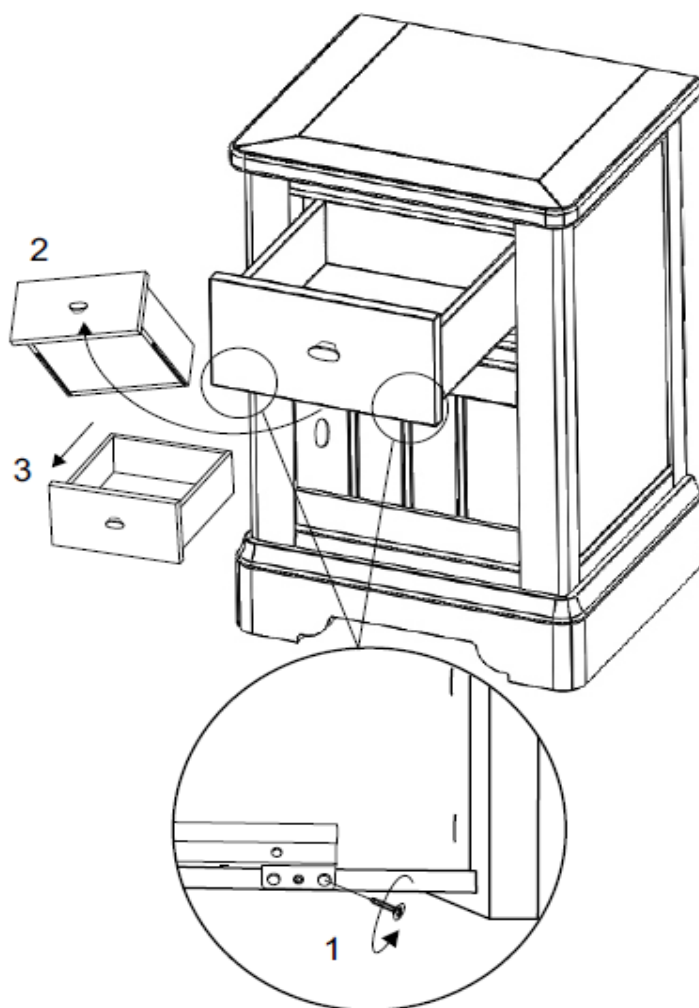
# next HAMPTON BEDSIDE

We recommend the use of the wall strap provided for safety reasons. Wall fixings are not included please source suitable fixings for your wall type. If in doubt, please consult a qualified tradesperson. **WARNING:** Always ensure the wall to be drilled is free from hidden electrical wires, water and gas pipes.

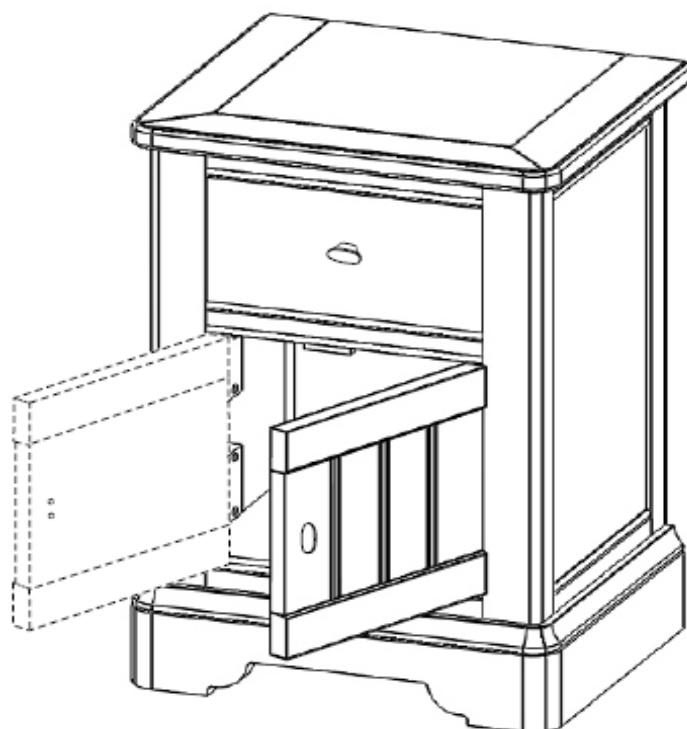


# next HAMPTON BEDSIDE

Actual product size  
H66 x W46 x D40cm

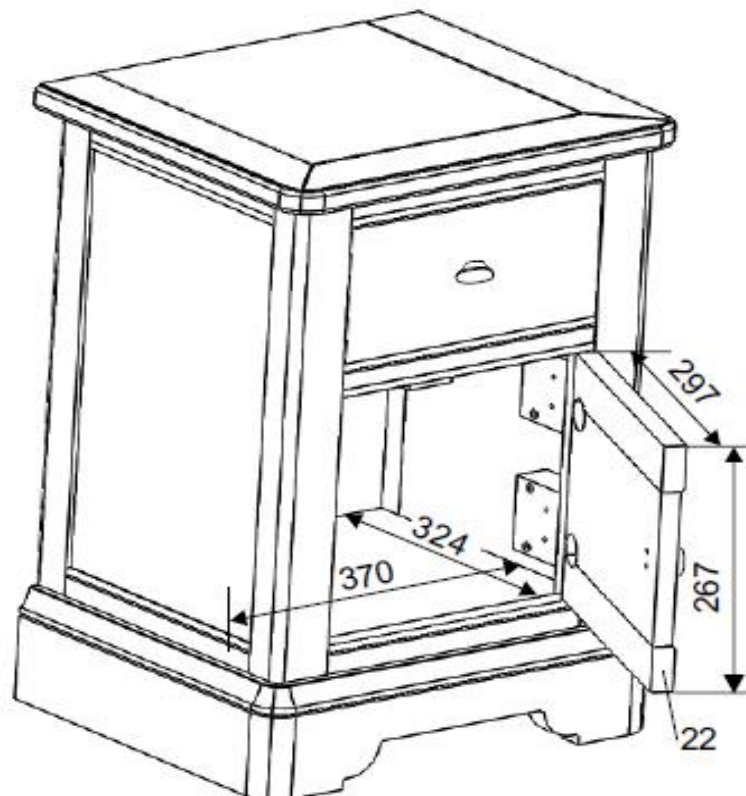
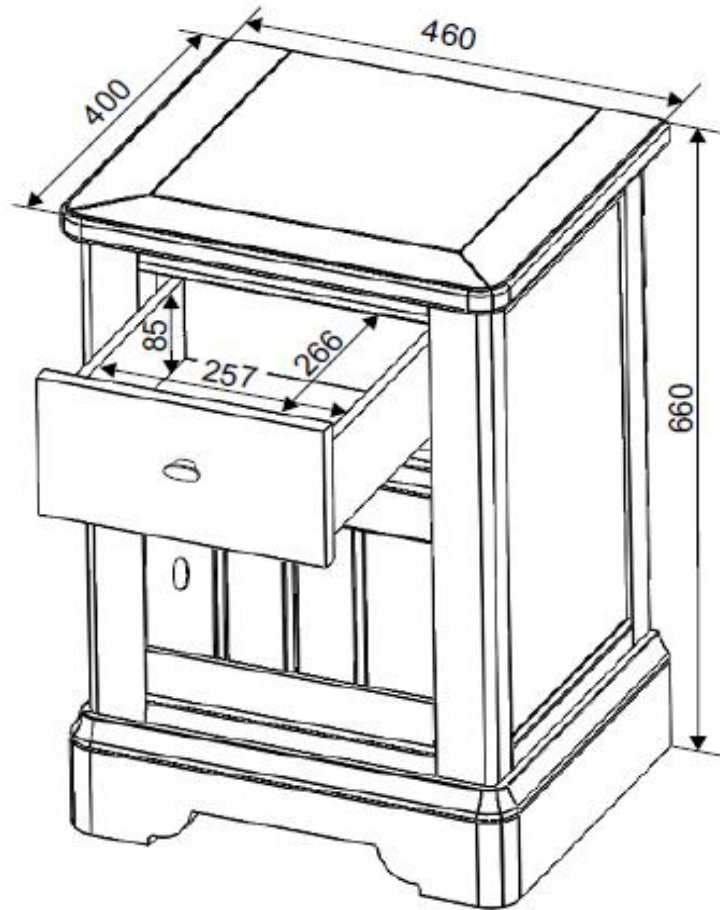


Doors fixing options:  
Right / left



# next HAMPTON BEDSIDE

Actual product size  
H66 x W46 x D40cm



Produced in Lithuania for Next Retail Ltd.