

# BEFORE YOU GET STARTED...

*We're confident you'll love your gorgeous new Next furniture. However, it's worth making absolutely certain before you put it all together.*

*So, let's quickly run through these three steps:*

## 1. COLOUR

Make sure you're happy with the colour  
No need to unpack everything, just check the first component.

## 2. PROTECTIVE PACKAGING

If you're happy, then it's time to get opening! Start by laying everything out on the protective packaging – this will prevent anything getting scratched.

## 3. PARTS PAGE

Finally, double check you have all the pieces by referencing the parts page of the instructions.

## TIPS FOR RETURNS

Not completely happy with the product? No problem. We just need everything back in the original packaging, so follow the steps below and this will ensure a super-smooth returns process and no delay to your refund.

DO



- Check everything is there (the 'parts page' is a handy checklist).
- Pop all the loose fittings and fixtures into the packaging provided or tie them up in a plastic bag.
- Wrap all the big components back up in the original protective packaging.
- Close up the box and seal it securely (don't be afraid to use plenty of tape).

DON'T



- Leave anything assembled - all components should be dismantled and separately packed.
- Put loose fixtures and fittings straight into the box.
- Throw it back in the box carelessly – as it may get damaged.

next  
HOME

Then just give us a call on 0333 777 8999 and we'll sort out a pick up time for you.

next

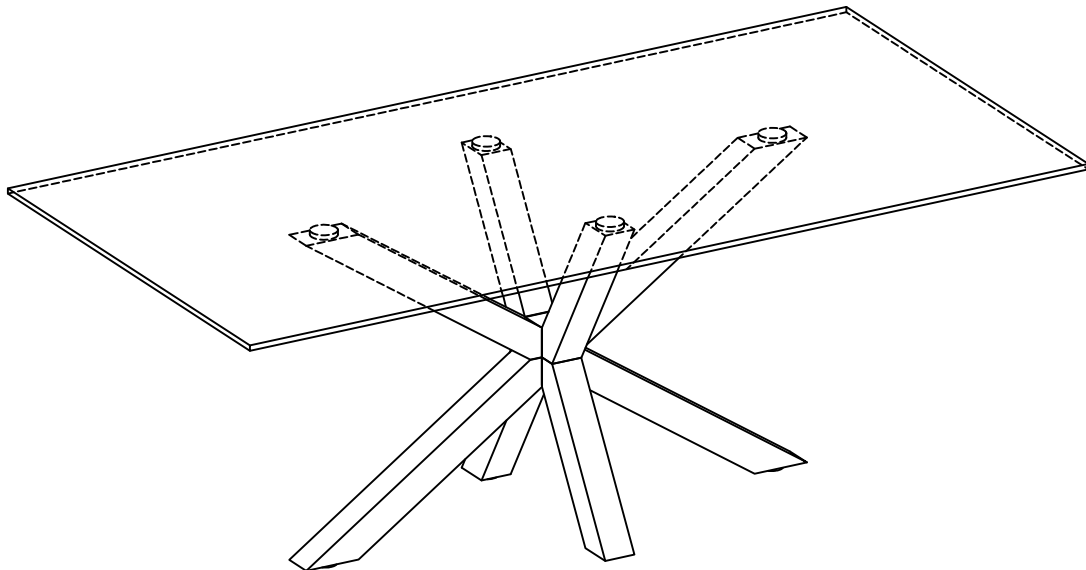
# ASTORIA FIXED 6 CERAMIC DINING TABLE WHITE

799683

Assembly instructions

**Actual product size**

H75,5 x W160 x D90 cm



## Need Help?

With: Assembly instructions  
Missing or damaged parts

**CALL: 0333 777 8999**

**IMPORTANT — RETAIN FOR FUTURE REFERENCE**

## BEFORE YOU START

### Warnings

We suggest you retain these instructions for future reference  
Keep fittings out of children's reach and keep children well away from construction area.

This product should only be used on firm, level ground  
Please periodically check all fittings and re-tighten as necessary

Please do not sit or stand on your table

Avoid exposing the furniture to excessive heat or direct sunlight as this can cause cracking of the wood and deterioration of the colour

Unwrap all packaging materials and place the components on top of the carton box or on a clean floor to protect it from damage

### Do's

We suggest you spend a short time reading through this leaflet before you start

When you are ready to start, make sure that you have the right tools and plenty of space

Unwrap all packaging materials and place the components on a clean surface to protect it from damage,

We recommend that the packaging is used to protect the surfaces during assembly

Carefully check that you have all the parts before beginning assembly

Due to the size of the product we recommend that it is assembled in the room intended for use

Ensure the product is fully assembled as illustrated and all fixings fully tightened before use. Check fixings regularly to ensure they remain tight

Wood will mellow and change colour over time, we recommend that ornaments and items placed on the surface are moved regularly for the first few months to prevent uneven mellowing.

When cleaning glass panels use a damp cloth with washing up liquid or soft soap if necessary. Do not use washing powders or any other substances containing abrasives since these substances can scratch the glass

The glass used in this product is toughened and complies with BS EN 12150-1:2009

### Don'ts

When moving furniture never drag the pieces across the floor, as this will cause damage to the joints

Apply Adhesive substrates for example, sticky tape to the product

Do not use silicone based furniture polish. Silicone in furniture polishes can break down the lacquer finish

If the glass is chipped or broken, stop using the product and consult Next

Do not place very hot or very cold items on the glass surface, unless adequately thick table mats are used

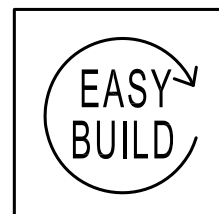
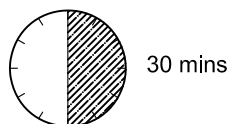
to prevent such items from coming into contact with the glass

Do not use glass as a chopping surface. Do not strike the glass with hard or pointed items

### Number of people required to assemble

Two people are required to assemble this item.

### Time to assemble



### Tools required



supplied

supplied

### Missing parts

If you are missing any fixtures and fittings for your product please contact our customer service team on 0333 777 8999 and they will be happy to arrange for a replacement to be sent to you free of charge.

### Home service technicians

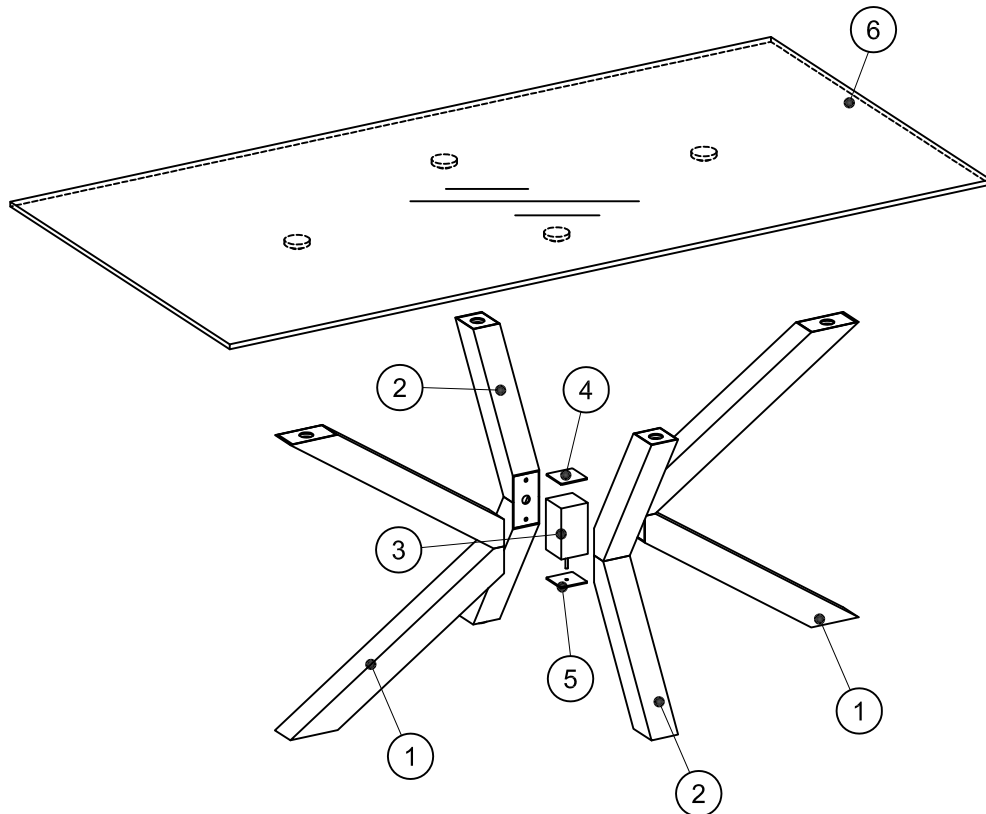
If you have a fault with your product please contact our customer service team on 0333 777 8999. If you have had the product for 28 days or less you may be offered a replacement, refund or for a fully trained home service technician to visit your home to assess the fault and repair the product where possible. If you have had the product for more than 28 days we will send an independent home service technician to review and repair the product where possible and recommend further action.

### You can write to us at

Home Customer Services  
Next Retail Ltd,  
Desford Road,  
Leicester,  
LE19 4AT

To View our full furniture range please visit  
[www.next.co.uk](http://www.next.co.uk)

## GETTING TO KNOW YOUR PRODUCT



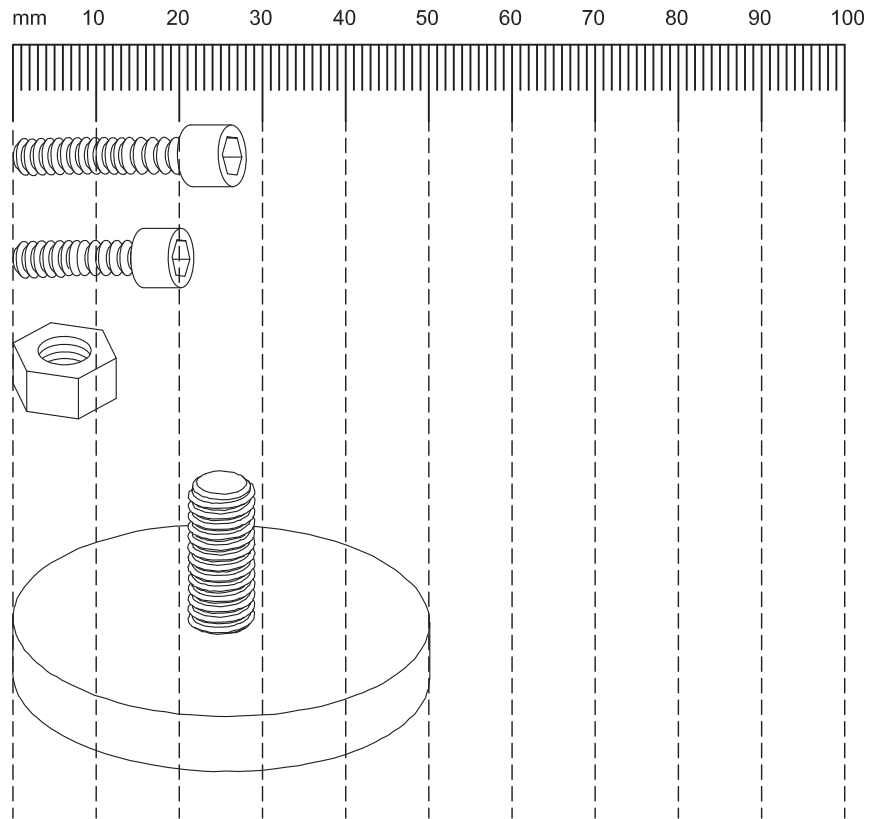
**Components supplied. Please use this guide if you require replacement parts.**

Ref	Dimensions	Visual	Qty	Ctn
1	72,8x56,1cm		2	1
2	72,8x34,6cm		2	1
3	11,2x6cm		1	1
4	6x6cm		1	1

Ref	Dimensions	Visual	Qty	Ctn
5	6x6cm		1	1
6	160x90cm		1	2

**Fixtures and fittings supplied (actual size)**

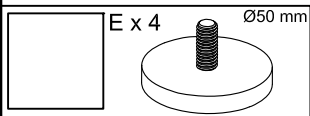
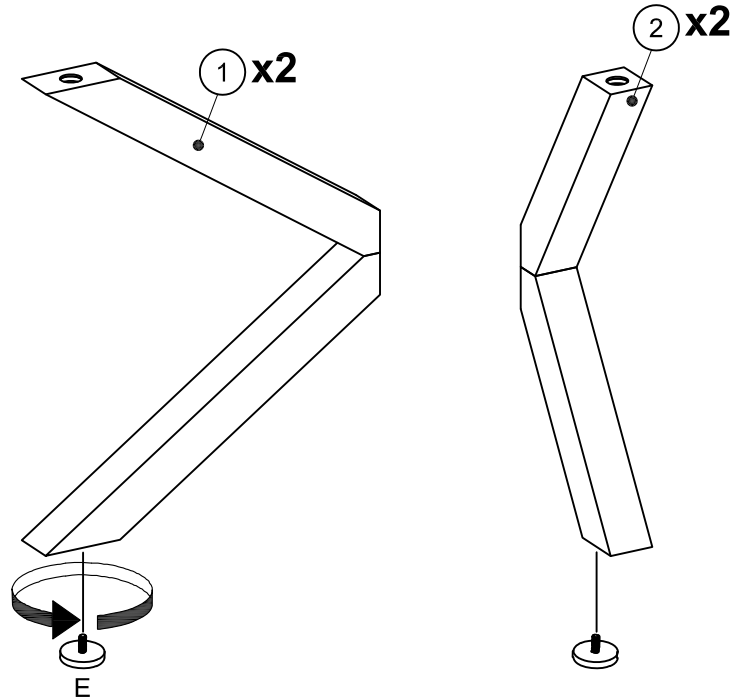
Ref	Dimensions	Qty	* Extra
B	M8x20 mm	8	1
C	M10x16 mm	4	1
D	M6	1	1
E	Ø50 mm	4	



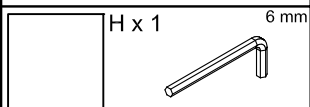
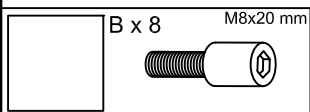
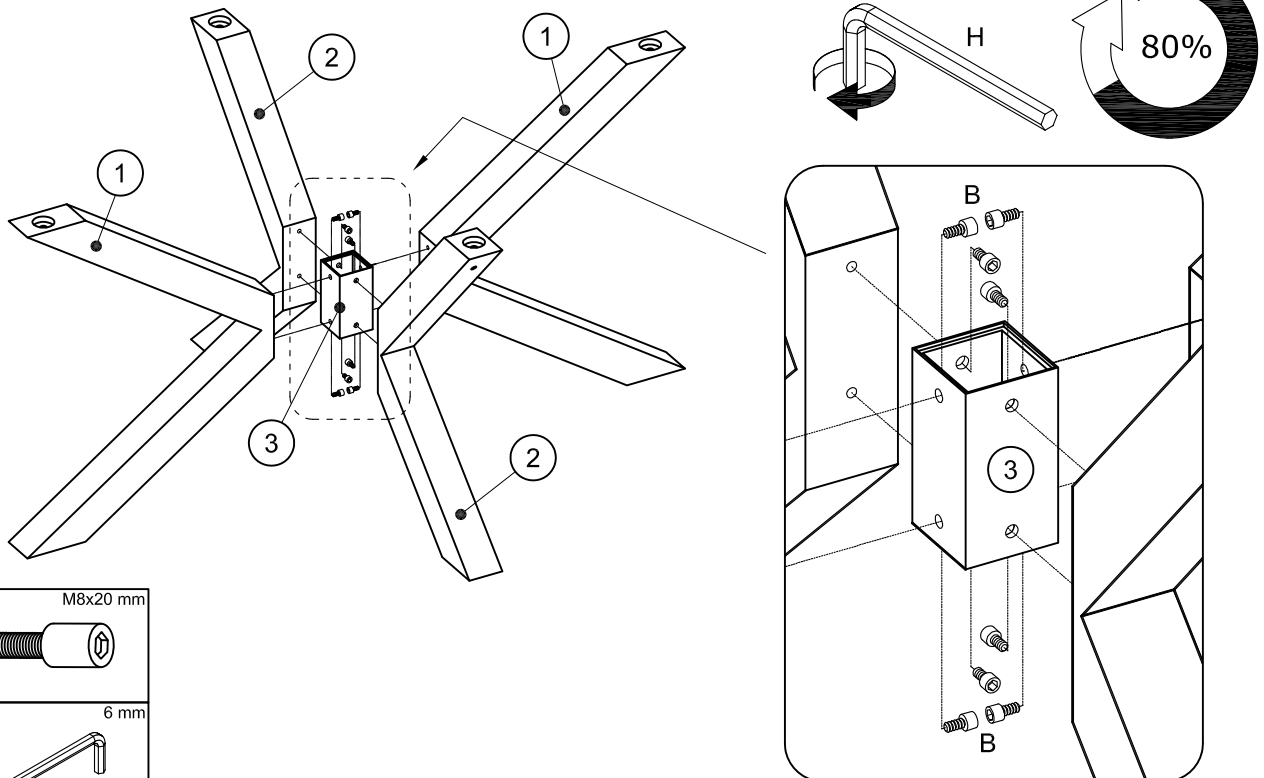
**Fixtures and fittings supplied (not to scale)**

Ref	Dimensions	Visual	Qty
A	M6x130 mm		1
F	8 mm		1
G			1
H	6 mm		1

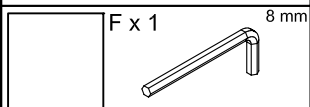
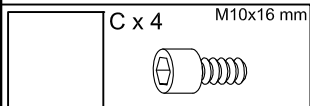
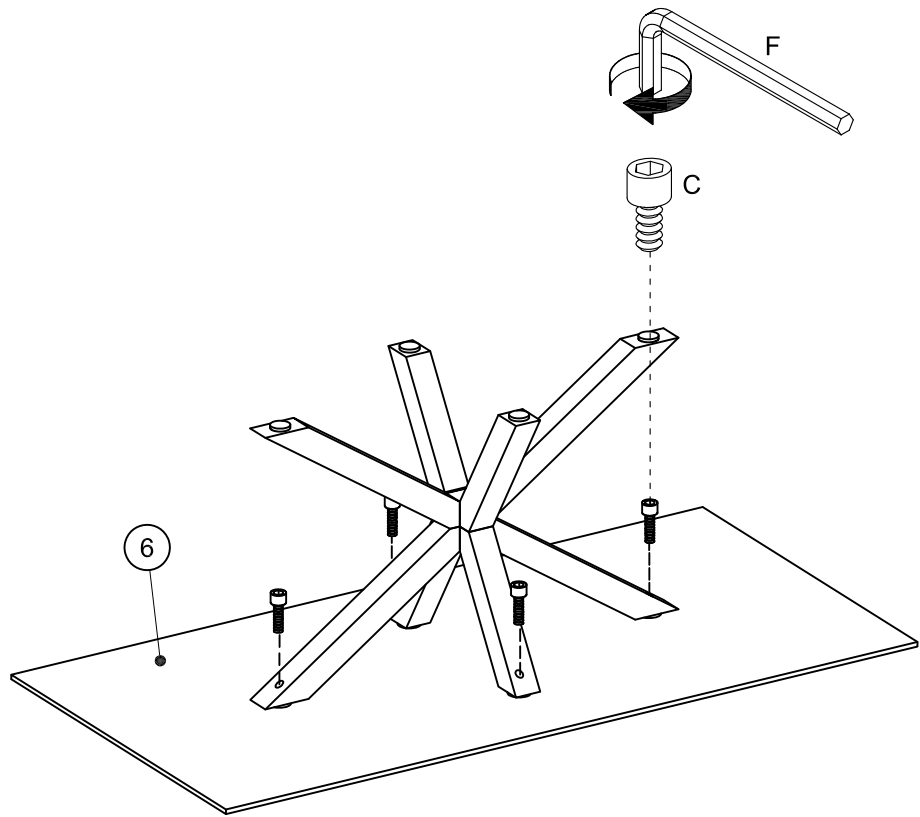
1



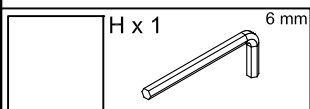
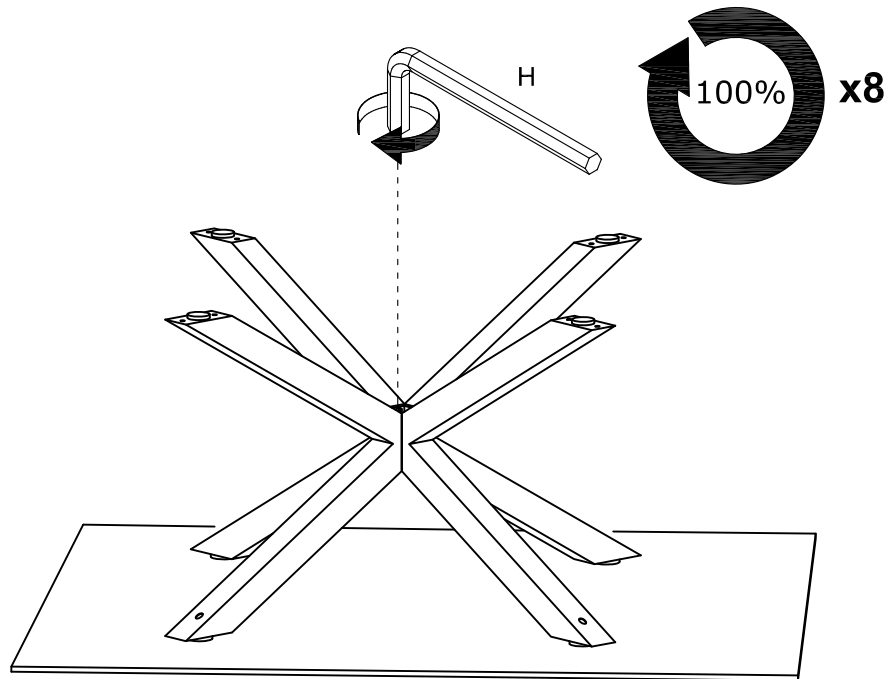
2



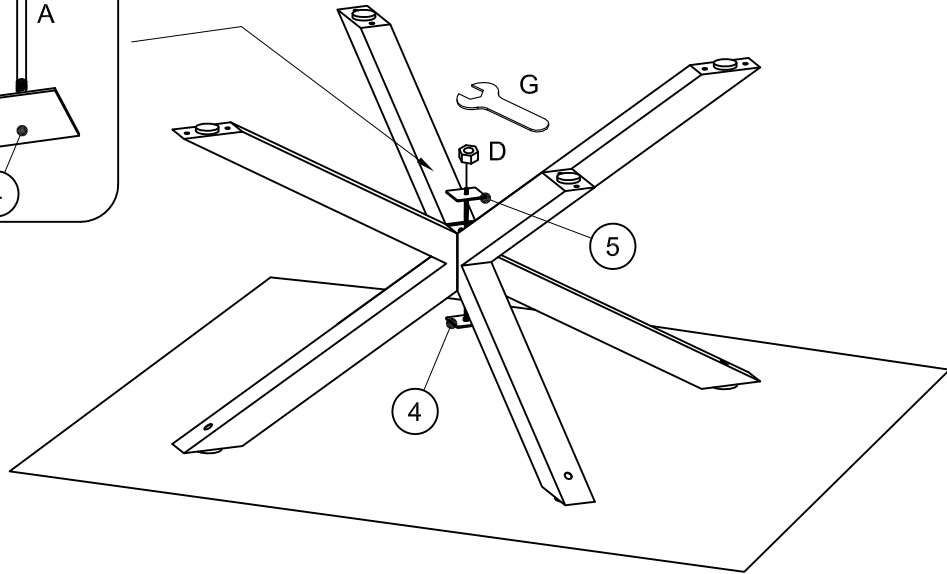
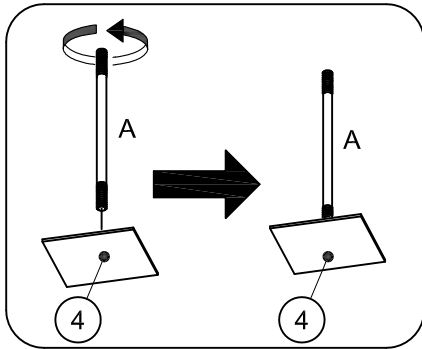
3



4

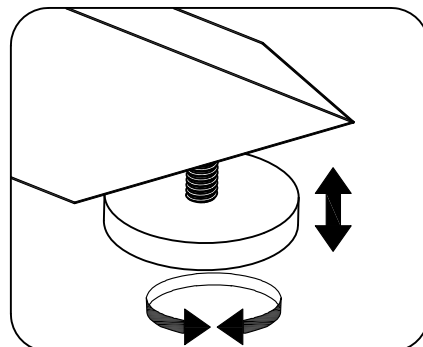
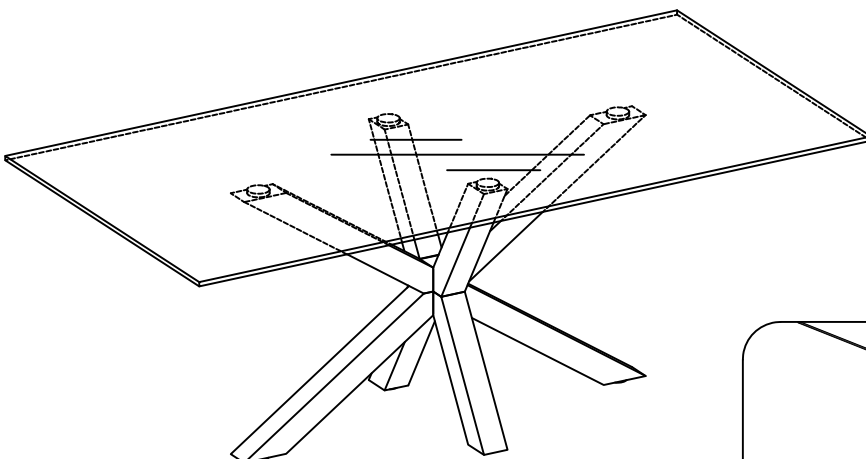


5



- A x 1 M6x130 mm
- D x 1 M6 mm
- G x 1

6





7

