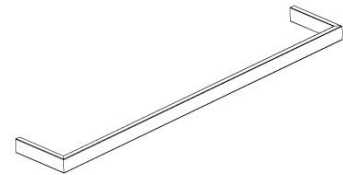
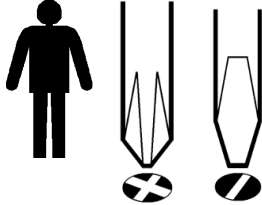


210x297mm

Moderna Towel Rail

NEXT

Tools Needed



Helpline

If you have any problems with this product please contact customer services Tel: 0333 777 8000

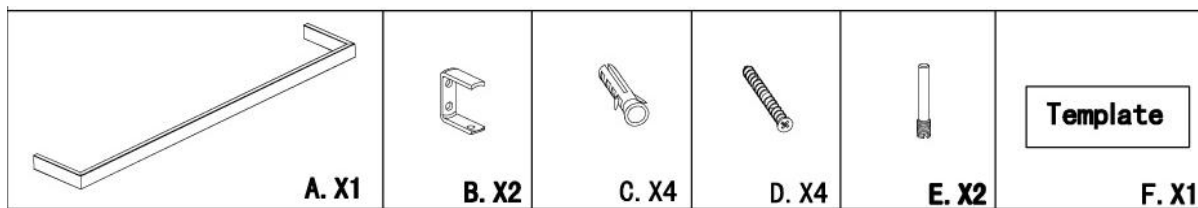
Important

- We suggest you spend a short time reading through this leaflet and then follow the simple step by step instructions.
- Carefully check that you have all parts before beginning assembly.
- Keep fittings out of children's reach and keep children away from construction.
- We suggest you retain these instructions for future reference.
- Please do not use abrasive cleaners on this product.
- We suggest you make periodic checks to ensure that all screws are fully tightened.
- Please ensure wall fixings used are appropriate to your wall type. If in doubt consult a qualified tradesperson.
- Wall fixings are not included.
- Made in China

Care instructions

- Do not use abrasive cleaners or cleaners containing bleach. If bleach is used, please ensure to rinse well and dry thoroughly.
- To prevent corrosion ensure the product does not come into prolonged contact with water. Wipe away excess moisture.

Fitting



Assembly Instructions

Step 1. Use a mini flat head screwdriver to unfasten the screw (E) to unfasten wall attachment (B) from towel rail (A) .

Step 2. Use template (F) to mark position of drill holes on the wall.

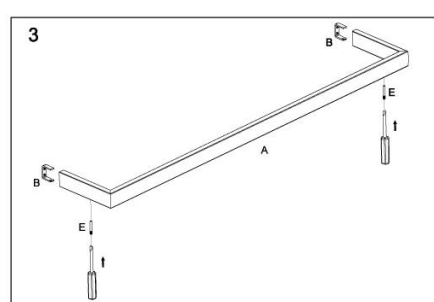
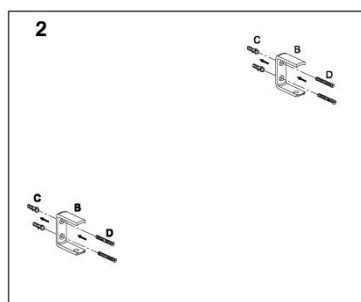
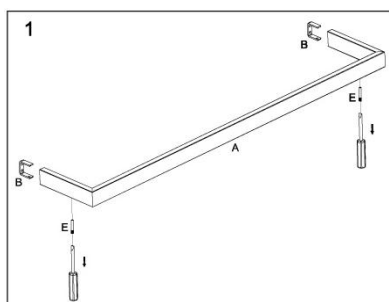
Secure wall attachment (B) to the wall using wall fixings (D) and wall plugs (C).

(D) & (C) are not included.

Warning - Always ensure the area to be drilled is free from hidden electrical wires, water and gas pipes.

Ensure wall fixings included are suitable for your wall type. If in doubt consult a qualified tradesperson.

Step 3. Secure assembled towel rail (A) to wall attachment (B) tighten grub screws (E) use a mini flat head screwdriver .



NEXT Retail Ltd, Desford Road, Enderby, Leicester, LE19 4AT.
NEXT Retail (Ireland) Ltd, 13-18 City Quay, Dublin 2, D02 ED70.