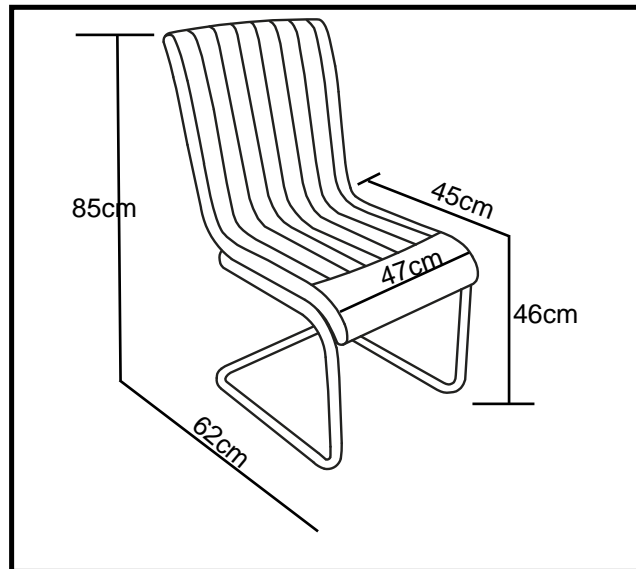


CARE GUIDANCE

Helpline

If you have any problems with this product, please contact Customer Services Tel: 0333 777 8999



Should you need to return the product, please repack in the original packaging.

PRODUCT INFORMATION

- Made with metal frame and antique leather cover.
- Genuine leather is a natural product and no two leathers are identical. As a natural product it displays traces of its origin such as healed scars, wrinkle lines, insect bites, scratches. Natural markings are not faults and will not reduce the wearing qualities of your furniture. Some or all of these types of natural imperfections may appear on your furniture and are considered to be distinguishing marks of real leather.
- Due to the individual nature of leather, colour and grain may vary depending on the leather type and intensity of colour. The dyes and finishes used to create the colour will penetrate differently depending on the grain structure. It takes several hides to produce each piece of furniture and whilst upholsterers will try to match colours of joined panels, this may not be possible. Colour may also vary slightly from one piece of furniture to another. Taking this into consideration, colour swatches and display models are provided as a guide only.
- Made in China.

CARE INSTRUCTIONS

- These chairs are not designed for outdoor use.
- There may be indentations in the upholstery from the internal packaging, this will come out over time.
- Take care when moving the chairs and never drag across the floor, as this will cause damage to leg joints.
- Avoid sharp objects that may damage the leather surface such as keys, buckles, coins, etc.
- Dust with a soft and dry cloth for the normal clearing. Stains can be treated using specific cleaning leather products.
- Never use abrasive or aggressive products like solvents, stain removers, et cetera.