



# HARTFORD STANDARD BED

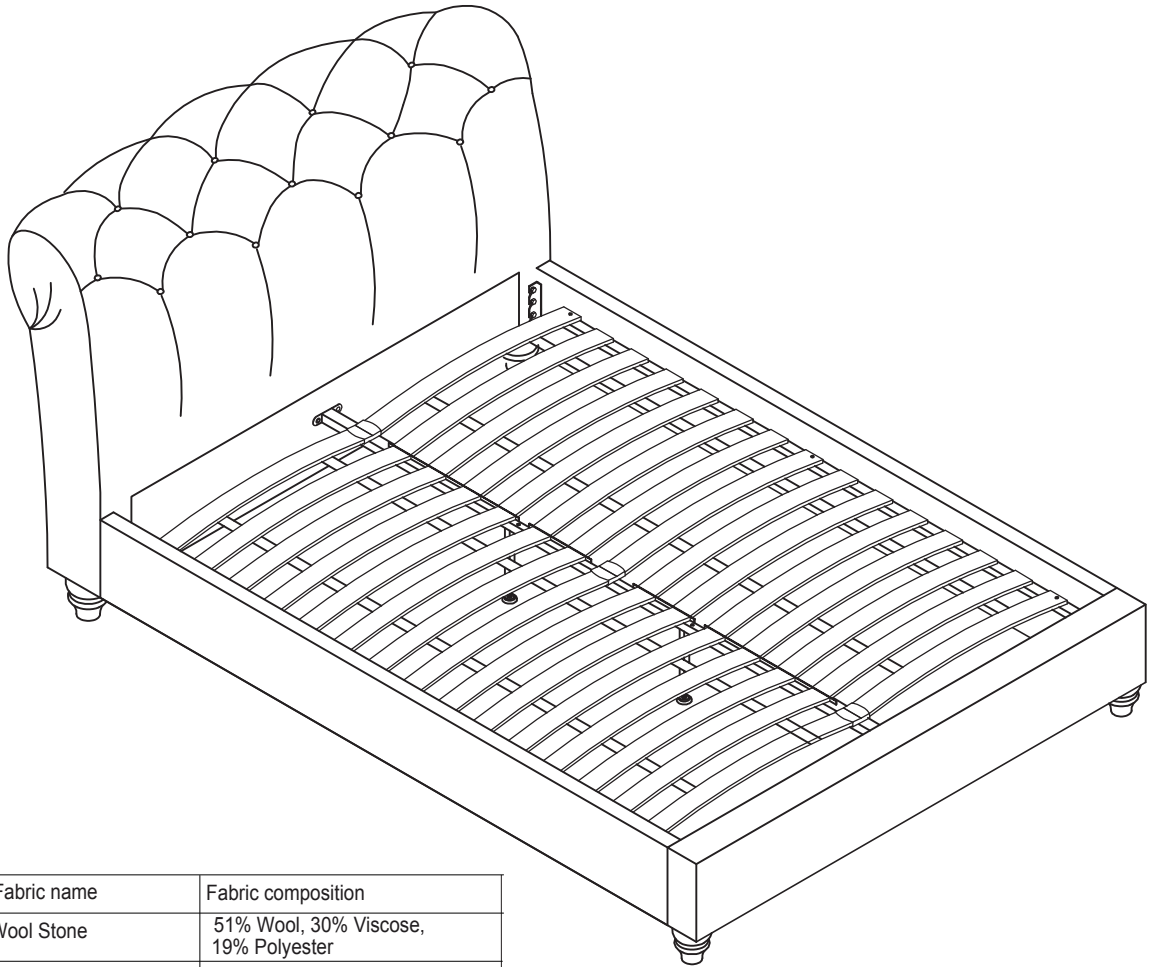
## Assembly instructions

### Actual product size

Double: H111 x W150 x L228cm

King: H111 x W165 x L238cm

Super King: H111 x W195 x L238cm



Item number	Fabric name	Fabric composition
380644	Wool Stone	51% Wool, 30% Viscose, 19% Polyester
405469	Wool Grey	51% Wool, 30% Viscose, 19% Polyester
198672	Glitz Pewter	100% Polyester
A23307	Fine Chinille Light Natural	
A23308	Soft Woven Twill Grey	
417624	Soft Velvet Graphite	
409994	Soft Velvet Pebble	
922866	Opulence Steel	
614090	Opulence Velvet Blush	
573280	Opulence Velvet Ochre	
A23307	Fine Chinille Light Natural	
A23308	Soft Woven Twill Grey	
422646	Sumptuous Velour Mid Silver	50% Polyester, 50% Cotton
100572	Mina Blue	100% Polyester
405818	Sunday Rose	
949568	Soft Texture Light Natural	
373336	Fine Chenille Mid Grey	
373048	Hampton Ochre	

**IMPORTANT – RETAIN FOR FUTURE REFERENCE**

## Need Help?

With: Assembly instructions  
Missing or damaged parts

**CALL: 0333 777 8999**



# HARTFORD STANDARD BED

## Assembly instructions

# BEFORE YOU START

## Warnings

- We suggest you retain these instructions for future reference
- Keep fittings out of children's reach and keep children well away from construction area.
- This product should only be used on firm, level ground .
- Please periodically check all fittings and re-tighten as necessary .
- Please do not jump or stand on your bed.
- Avoid exposing the furniture to excessive heat or direct sunlight as this can cause cracking of the wood and deterioration of the colour .
- Keep away from strong heat sources.
- Do not use this item if components are missing or broken.
- Keep fingers away from moving parts to avoid any possible injury.

## Do's

- We suggest you spend a short time reading through this leaflet before you start .
- When you are ready to start, make sure that you have the right tools and plenty of space .
- Due to the size of the product we recommend that it is assembled in the room intended for use.
- Unwrap all packaging materials and place the components on a clean surface to protect it from damage, We recommend that the packaging is used to protect the surfaces during assembly .
- Carefully check that you have all the parts before beginning assembly .
- Ensure the product is fully assembled as illustrated and all fixings fully tightened before use.
- Check fixings regularly to ensure they remain tight .
- When adjusting the support legs, ensure that the foot is set 5mm from the floor surface without the mattress in place. When in use the legs will create the required support.
- Always ensure that protectors are used on the legs according to your flooring type.
- Ensure that the bed is assembled as per the instructions, all fittings are tightened and slats are secure before placing your mattress.
- To clean your items, please lightly wipe with a slightly dampened cloth.
- For leather items dust regularly with a soft cloth, preferably once a week, to keep the leather pores free from dust particles.
- For velvet items use a soft brush lightly dress the fabric. Lightly wipe with a slightly dampened cloth to clean.
- For velvet items avoid scratching the fabric as the pile may not recover and permanently mark it.

## Don'ts

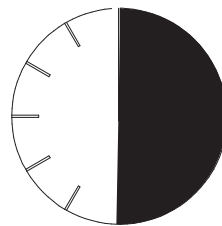
- Do not drag your assembled bed. Always lift the bed and check that the centre support rail is securely fixed in place.
- Do not apply Adhesive substrates for example, sticky tape to the product
- Do not use silicone based furniture polish. Silicone in furniture polishes can break down the lacquer finish
- Never allow any kind of liquid to remain on your furniture. Absorption can cause finishes to de-laminate and or stain
- Please do not jump or stand on your bed

## Number of people required to assemble

Two persons are required to assemble this item.



## Time to assemble



30 min.



## Missing parts

If you are missing any fixtures and fittings for your product please contact our customer service team on 0333 777 8999 and they will be happy to arrange for a replacement to be sent to you free of charge.

## Home service technicians

If you have a fault with your product please contact our customer service team on 0333 777 8999. If you have had the product for 28 days or less you may be offered a replacement, refund or for a fully trained home service technician to visit your home to assess the fault and repair the product where possible. If you have had the product for more than 28 days we will send an independent home service technician to review and repair the product where possible and recommend further action.

## You can write to us at

Home Customer Services  
Next Retail Ltd,  
Desford Road,  
Leicester,  
LE19 4AT

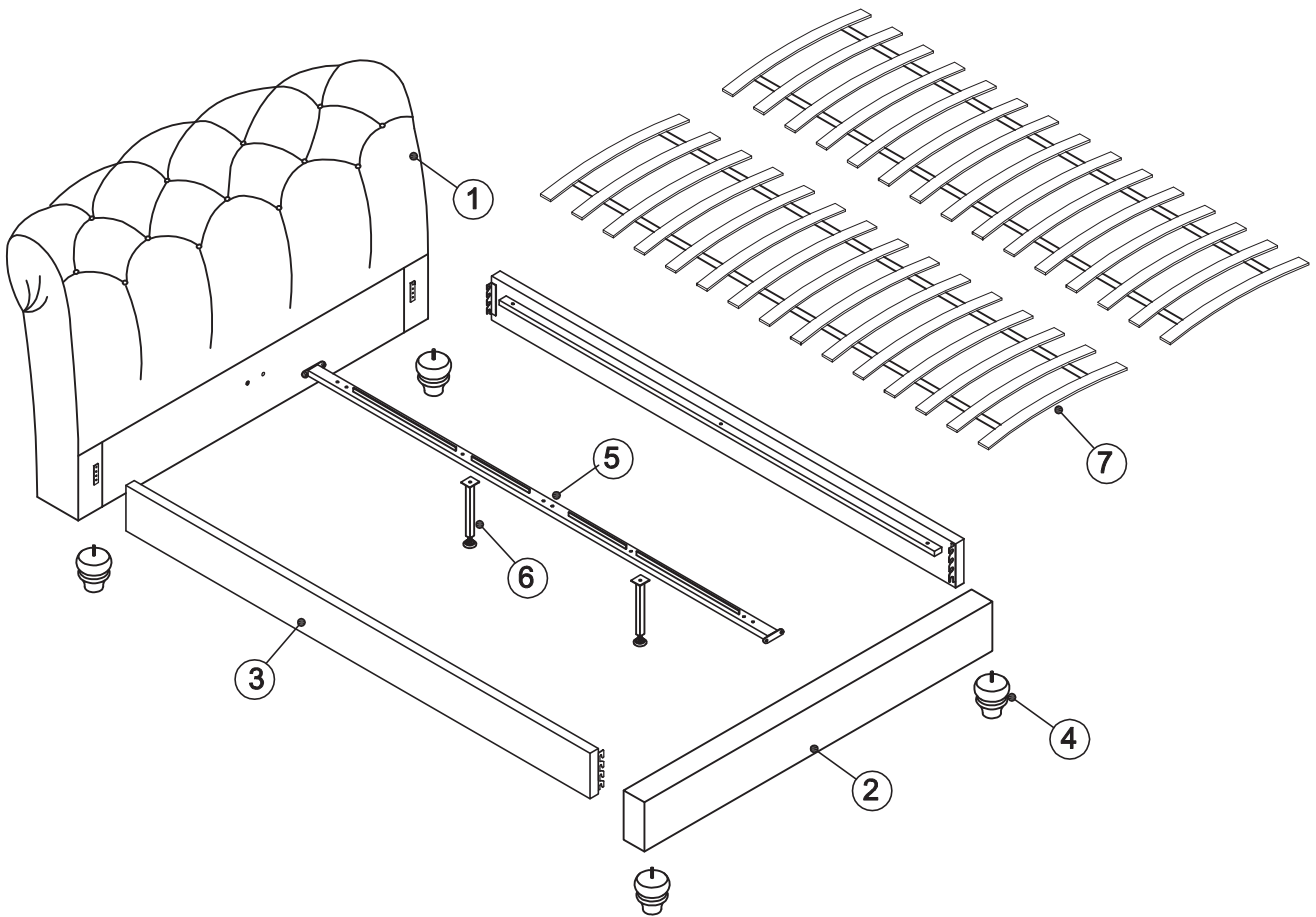
To View our full furniture range please visit [www.next.co.uk](http://www.next.co.uk)



# HARTFORD STANDARD BED

Assembly instructions

## GETTING TO KNOW YOUR PRODUCT



Components supplied. Please use this guide if you require replacement parts.

Ref	Dimension	Visual	Qty
1	Double:150x99cm King:165x99cm Super King:195x99cm		1
2	Double:147 x 25cm King:162 x 25cm Super King:192 x 25cm		1
3	Double:192 x 25cm King:202 x 25cm Super King:202 x 25cm		2
4	12 x 8cm		4

Ref	Dimension	Visual	Qty
5	Double:192 x 4cm King:202 x 4cm Super King:202 x 4cm		1
6	28 x 2.5cm		2
7	Double:180 x 68cm King:190 x 75.6cm Super King:190 x 90cm		2



# HARTFORD STANDARD BED

## Assembly instructions

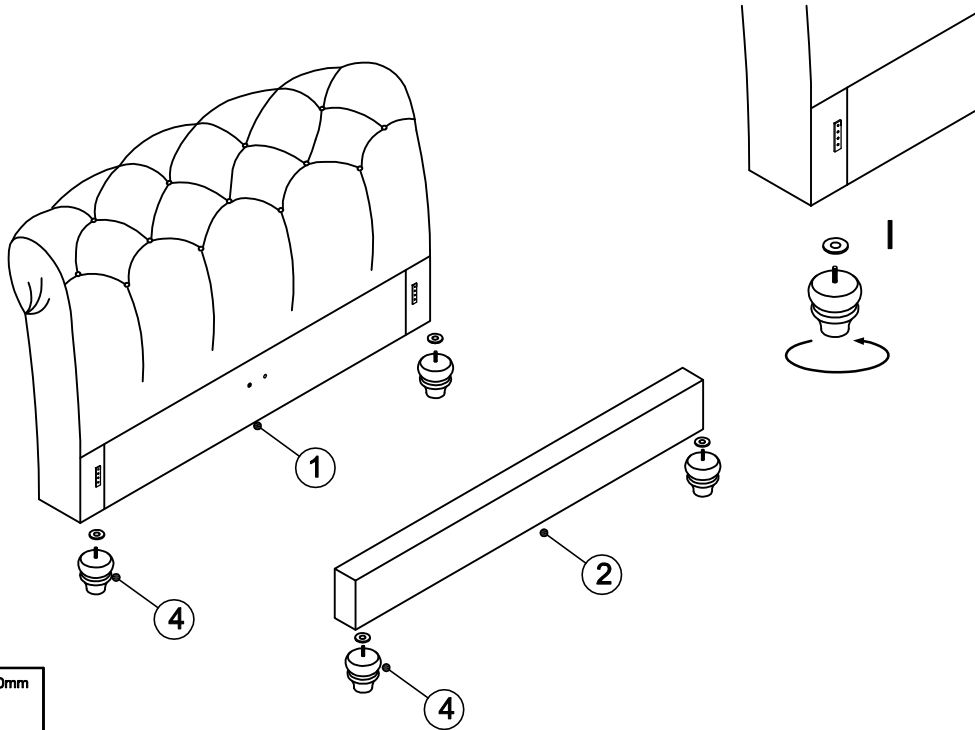
Fixtures and fittings supplied (actual size)				mm 10 20 30 40 50 60 70 80 90 100 110 120 130												
Ref	Dimension	Qty	Spare													
A	8 x 25mm	20	2													
B	6 x 30mm	2	1													
C	8 x 25mm	8	1													
D	8 x 13mm	20	2													
E	6 x 11mm	2	2													
F	4 x 60mm	2	N/A													
G	5 x 60mm	2	N/A													
H	65 x 56mm	4	1													
I	3 x 40mm	4	N/A													
J	2 x 11mm	4	N/A													



# HARTFORD STANDARD BED

## Assembly instructions

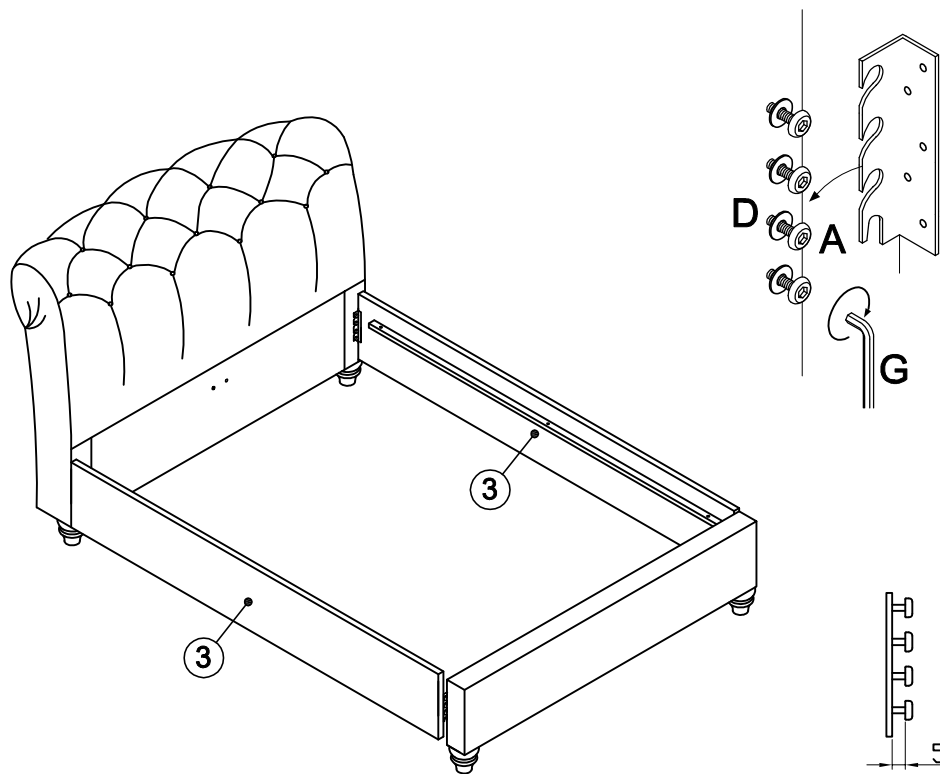
1



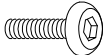
1 x 4 3 x 40mm



2



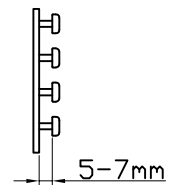
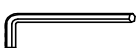
A x 16 8 x 25mm



D x 16 8 x 13mm



G x 1 5 x 60mm

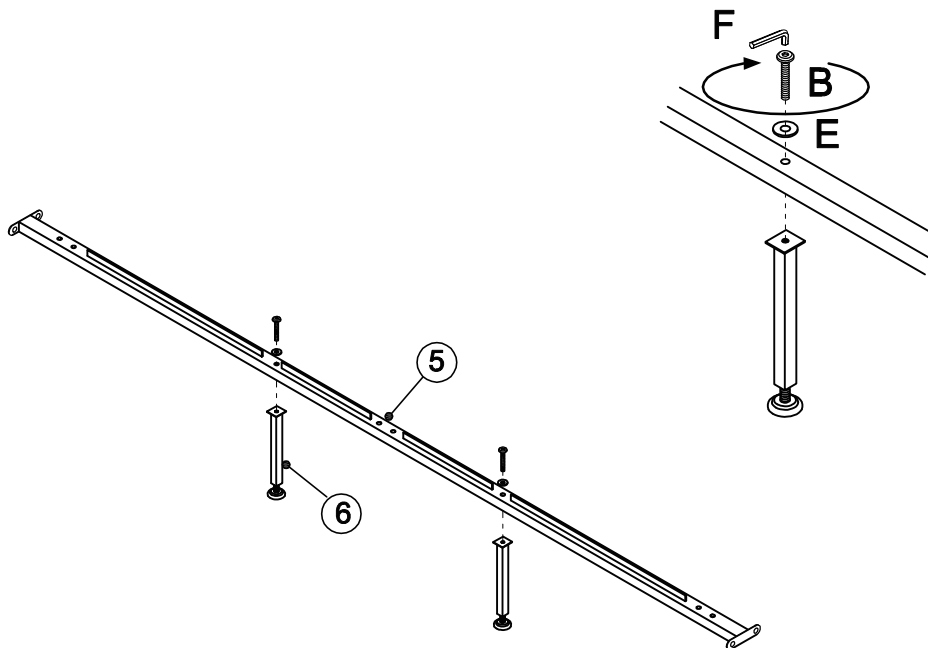




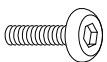
# HARTFORD STANDARD BED

## Assembly instructions

3



**B x 2** 6 x 30mm



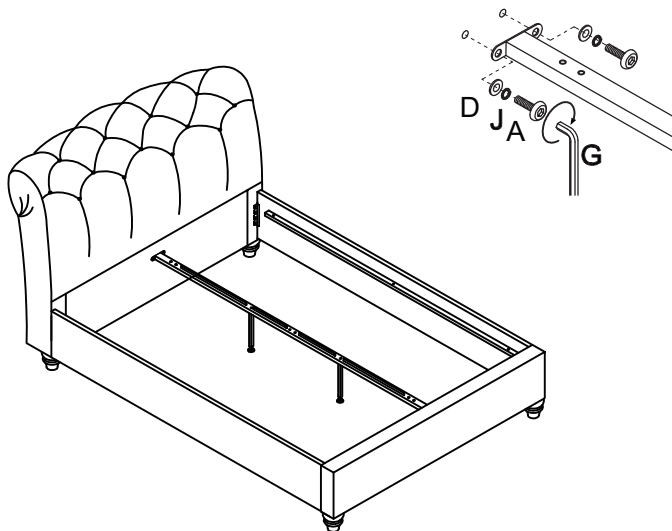
**E x 2** 6 x 11mm



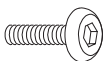
**F x 1** 4 x 60mm



4



**A x 4** 8 x 25mm



**D x 4** 8 x 13mm



**G x 1** 5 x 60mm



**J x 4** 2 x 11mm



Once the feet have been assembled and attached, they should be adjusted to ensure they do not touch the floor, (5mm above the floor) to allow for movement once the mattress is placed on the frame.

It is important to note that when moving the bed that it is not dragged into its new position to prevent the possibility of these feet being twisted or angled to one side, which could lead to the collapse of the bed.

To move the bed, remove the mattress and lift the bed into its new position to avoid damage. Ensure the feet at 90° to the floor before replacing the mattress.

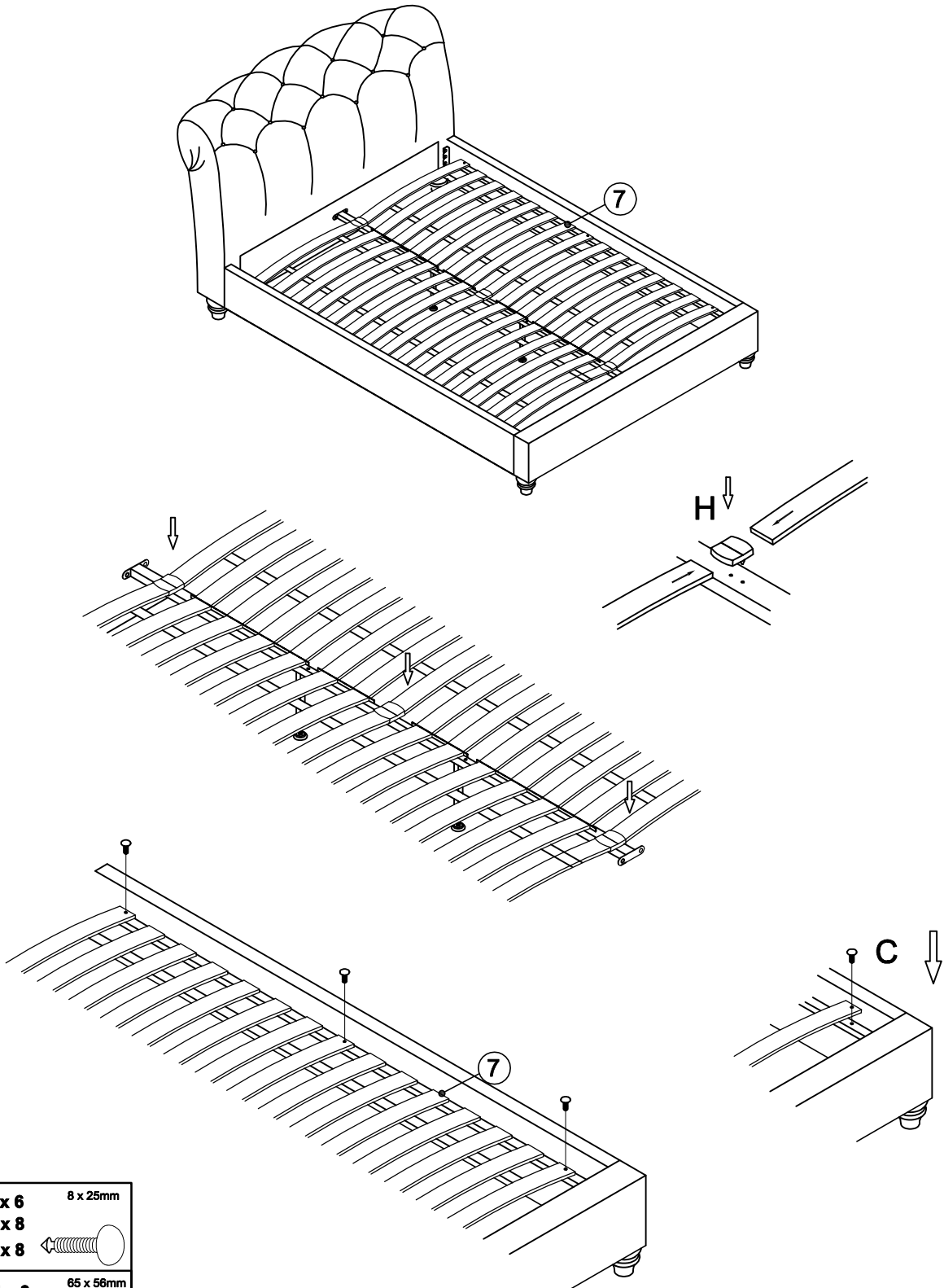




# HARTFORD STANDARD BED

## Assembly instructions

5



Double	C x 6	8 x 25mm
King	C x 8	
Super King	C x 8	
Double	H x 3	65 x 56mm
King	H x 4	
Super King	H x 4	



# HARTFORD STANDARD BED

## Assembly instructions

### Actual product size

Double: H111 x W150 x L228cm

King: H111 x W165 x L238cm

Super King: H111 x W195 x L238cm

Maximum Weight: 140KGS

