

NEXT

Thank you for shopping with us

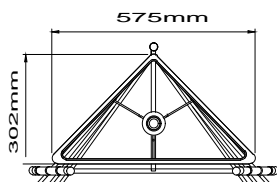
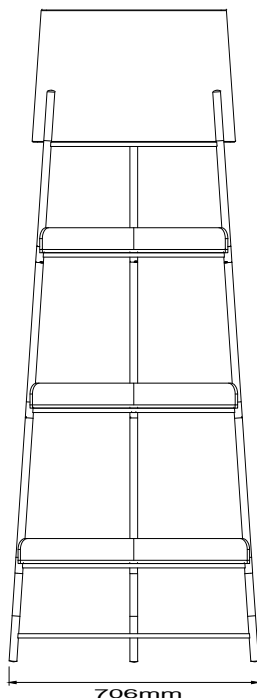
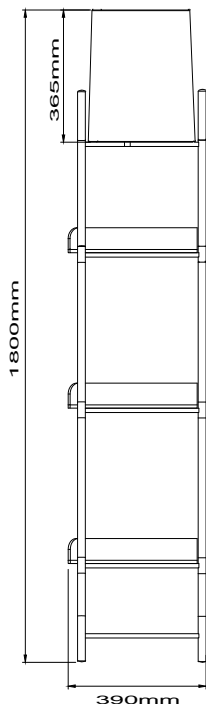
NEXT

HUDSON SHELF FLOOR LAMP

956191

Assembly Instructions

Actual Product Size
L706*W390*H1800mm



Need Help?

With: Assembly instructions
Missing or damaged parts

CALL:0333 777 8999

IMPORTANT - RETAIN FOR FUTURE REFERENCE

NEXT

HUDSON SHELF FLOOR LAMP

956191

Assembly Instructions

BEFORE YOU START

Warnings

We suggest you retain these instructions for future reference

This light is suitable for indoor use only

Do's

We suggest you spend a short time reading through this leaflet before you start

When you are ready to start, make sure that you have the right tools and plenty of space

Unwrap all packaging materials and place the components on top of the carton box or on a clean floor to protect it from damage

We recommend that the packaging is used to protect the surfaces during assembly

Carefully check that you have all the parts before beginning assembly

Ensure the product is fully assembled as illustrated and all fixings fully tightened before use. Check fixings regularly to ensure they remain tight

Always switch off the supply before changing light bulbs or cleaning

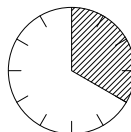
Allow bulbs to cool down before handling

Don'ts

Do not position this product in an area, subject to humid or moist conditions.

Do not allow moisture to come into contact with electric parts.

Time to assemble



20mins

Tools required

Scissor for unpacking

Missing parts

If you are missing any fixtures and fittings for your product please contact our customer service team on 0333 777 8999.

Cleaning Care

We recommend cleaning with a soft dry cloth. Do not use abrasive materials as these will rub away the protective coating.

Maintenance

To ensure your safety, if the cable becomes damaged it must be replaced only by a qualified person.

Safety information

For your safety, please remember the following:

- Always switch off the power supply before changing lightbulbs or cleaning
- Allow bulbs to cool down before handling.

You can write to us at

Home Customer Services
Next Retail Ltd,
Desford Road,
Leicester,
LE19 4AT
or
Next Retail (Ireland) Ltd,
13-18 City Quay,
Dublin 2,
D02 ED70

To view our full range please visit
www.next.co.uk

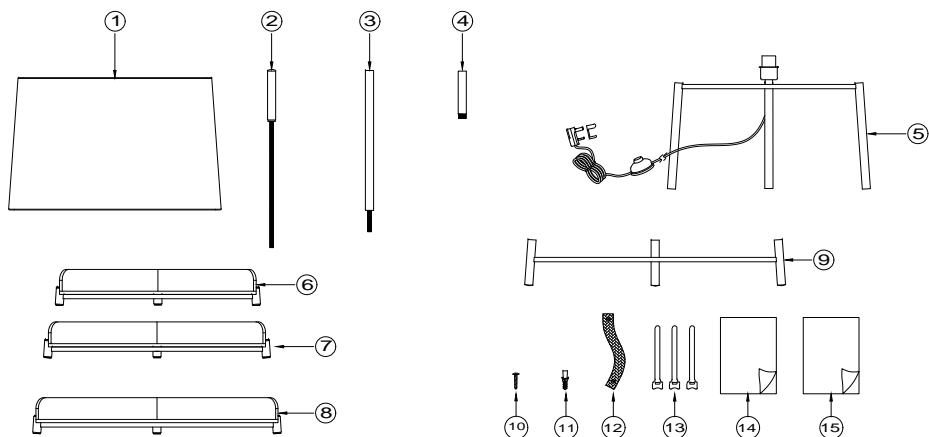
NEXT

HUDSON SHELF FLOOR LAMP

956191

Assembly Instructions

GETTING TO KNOW YOUR PRODUCT



Ref	Description	Specification	Qty	Remark
1	Lamp shade	L575*W302*H365mm	1	Packed in carton
2	Lamp stem A		3	Packed in carton
3	Lamp stem B		6	Packed in carton
4	Lamp stem C		3	Packed in carton
5	Top frame		1	Packed in carton
6	Wood shelf A	L532*W365*H69mm	1	Packed in carton
7	Wood shelf B	L587*W365*H69mm	1	Packed in carton
8	Wood shelf C	L655*W365*H69mm	1	Packed in carton
9	Bottom frame	L706*W364*H126mm	1	Packed in carton
10	Fixing screw	L38mm	1	Packed in fixing pack
11	Rawl plug	L38mm	1	Packed in fixing pack
12	Fabric wall strap	L210*W24mm	1	Packed in fixing pack
13	Cable tie	L155*W12mm	3	Packed in fixing pack
14	Assembly instruction	A4 X 2	1	Packed in fixing pack
15	Re-package instruction	A4 X 1	1	Packed in fixing pack

NEXT

HUDSON SHELF FLOOR LAMP

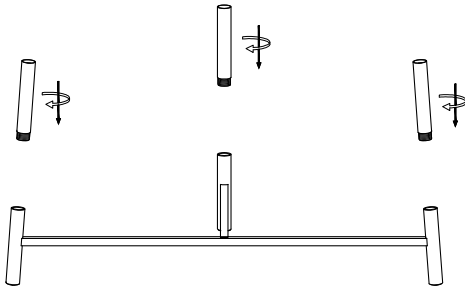
956191

Assembly Instructions

Assembly Instructions

Unpack the contents of the carton. Lay the contents out on a flat surface giving yourself room to work.

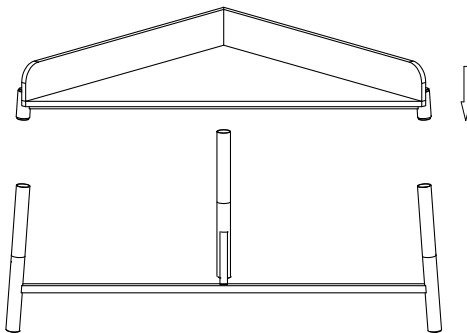
1



Step 1

Screw all the lamp stem C onto bottom frame.

2



Step 2

Put the wood shelf C onto the frame.

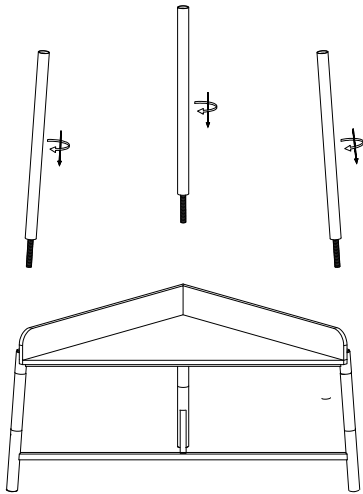
NEXT

HUDSON SHELF FLOOR LAMP

956191

Assembly Instructions

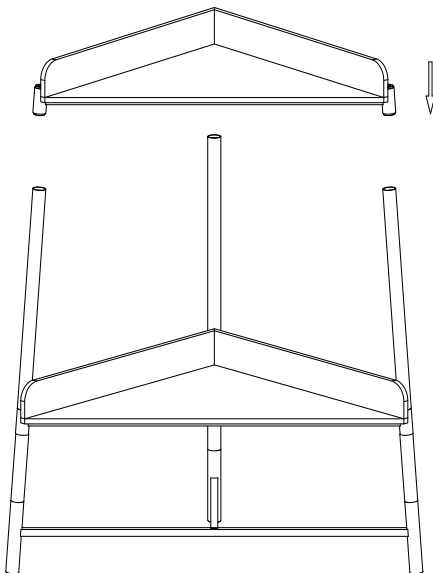
3



Step 3

Screw all the lamp stem B onto the wood shelf.

4



Step 4

Put the wood shelf B onto the frame.

NEXT

HUDSON SHELF FLOOR LAMP

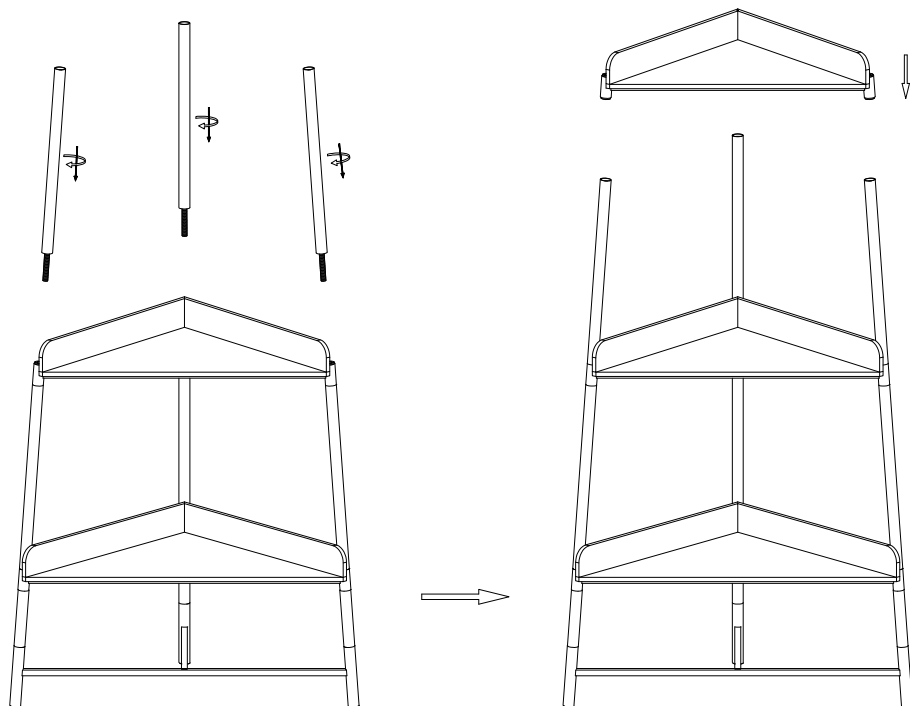
956191

Assembly Instructions

5

Step 5

Screw all the lamp stem B onto the wood shelf. Put the wood shelf A onto the frame.



NEXT

HUDSON SHELF FLOOR LAMP

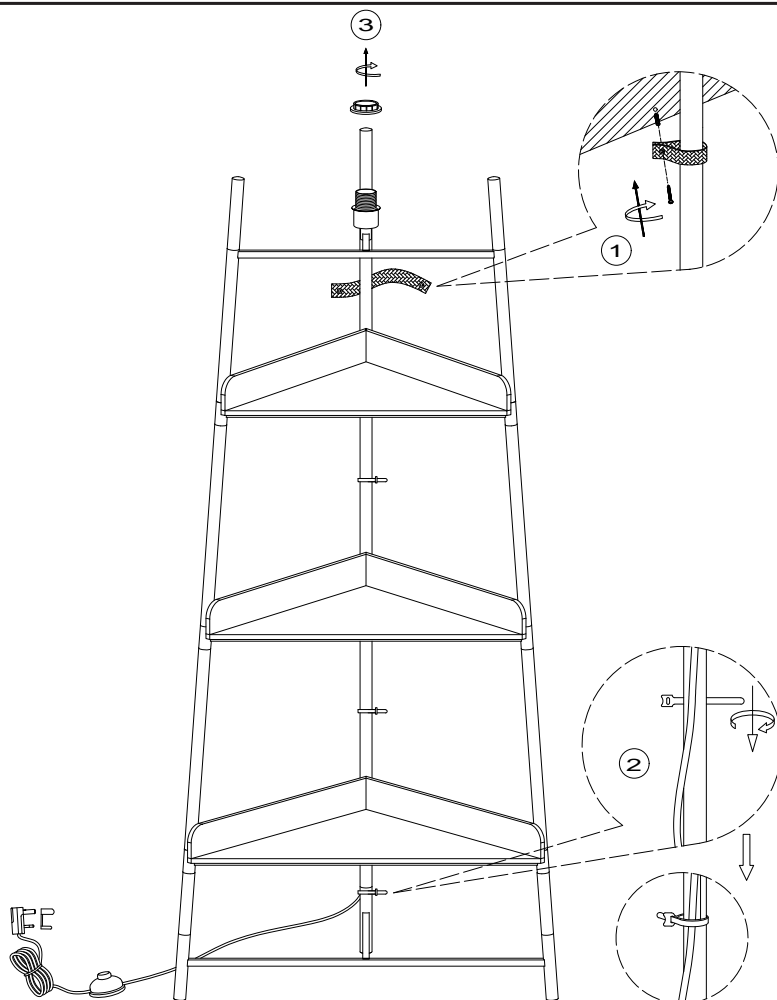
956191

Assembly Instructions

7

Step 7

A fabric wall strap is included in the fixing pack, should you choose to attach the floor lamp to the wall. Taking care not to damage any wiring or piping on the wall when drilling the hole for the rawl plug. Screw the wall strap to the wall using the fixing screw supplied (see section 1). The cable can be attached to the leg by using the cable tie supplied (see section 2). Remove the shade ring from lampholder (see section 3).



NEXT

HUDSON SHELF FLOOR LAMP

956191

Assembly Instructions

8

Step 8

Put the lamp shade onto lampholder and secure into position with the shade ring. Fit the bulb. Do not exceed the maximum wattage.

