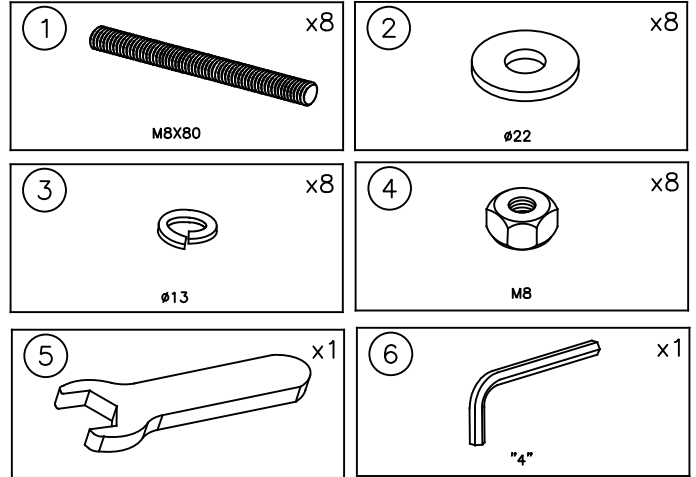
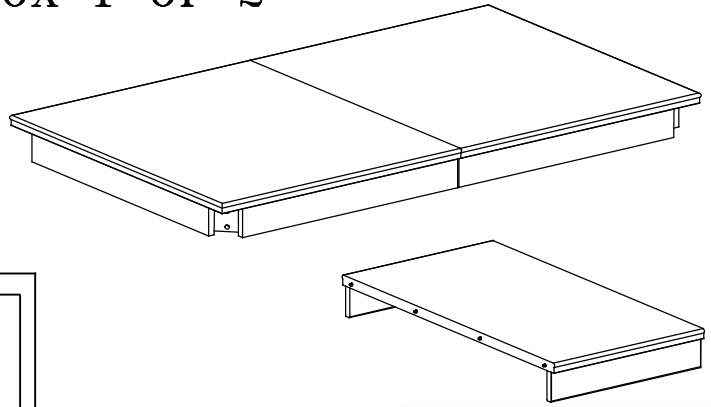


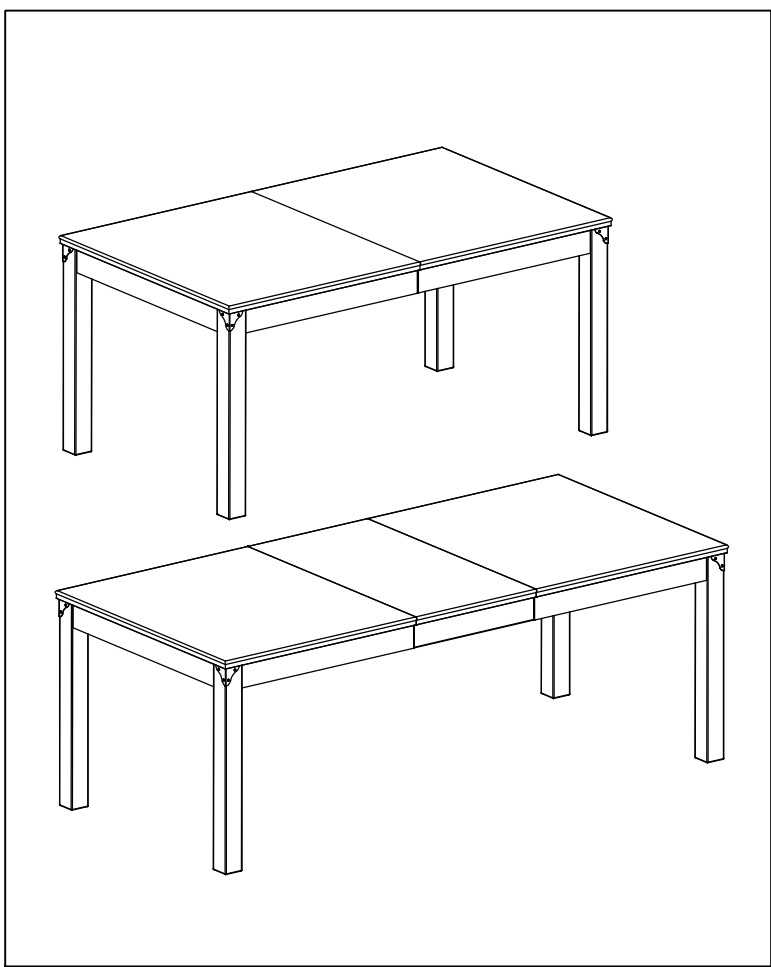
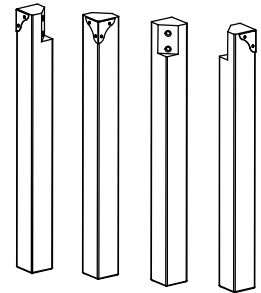
ASSEMBLY INSTRUCTION

BALMORAL EXTENDING DINING TABLE

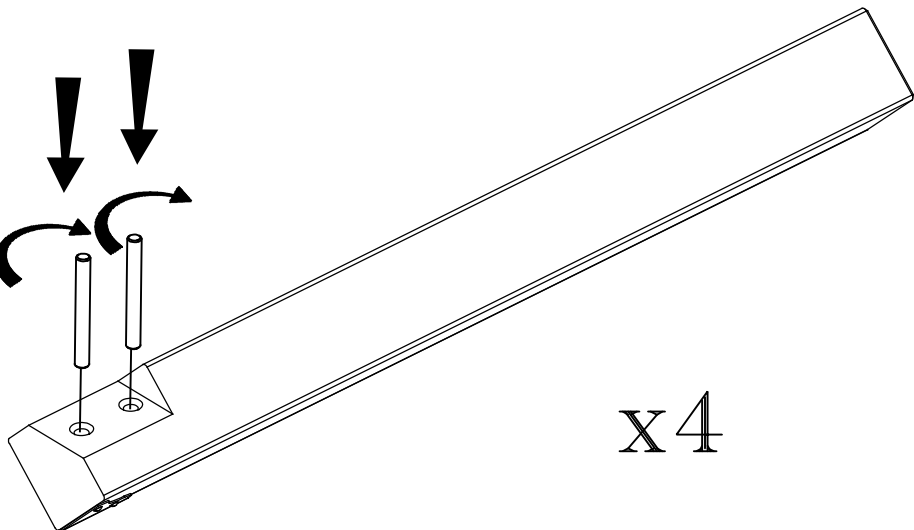
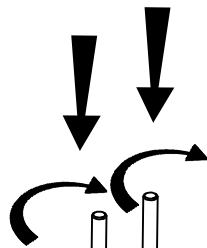
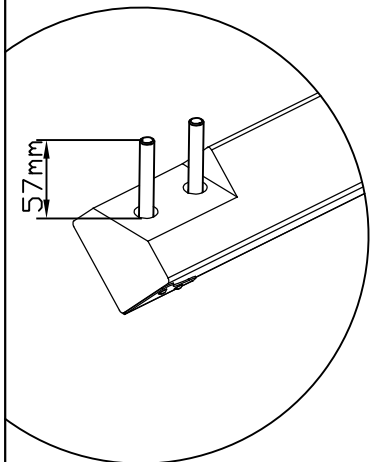
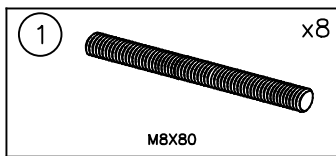
BOX 1 OF 2



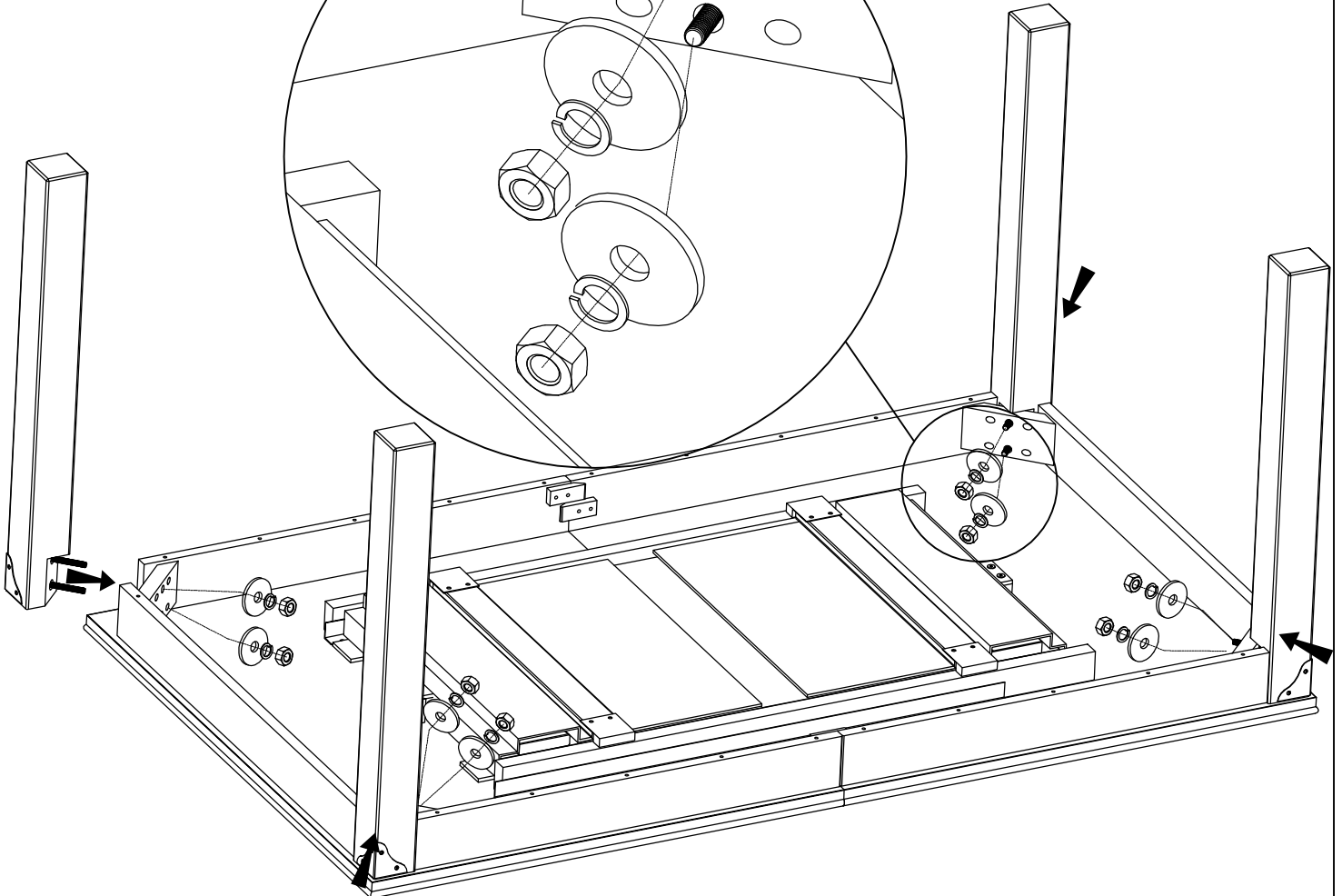
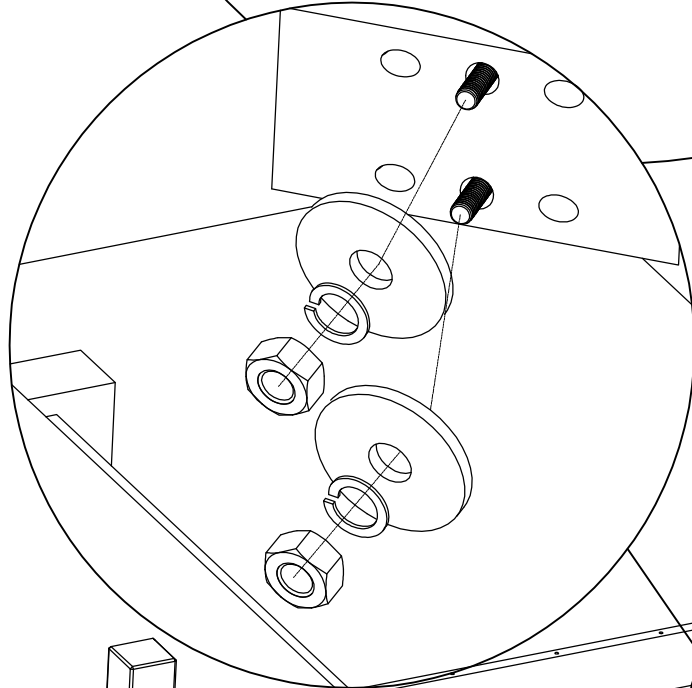
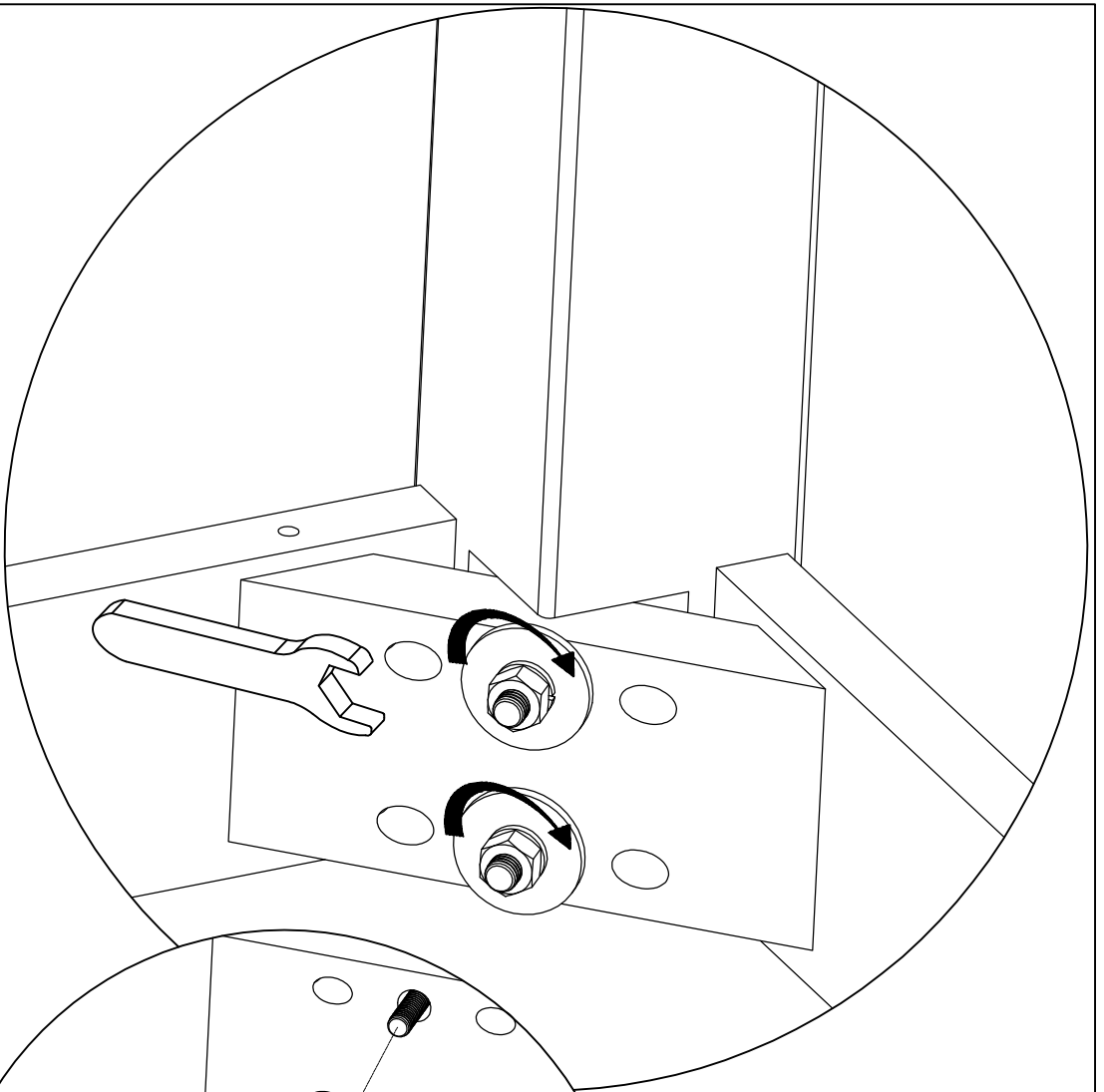
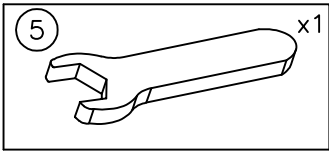
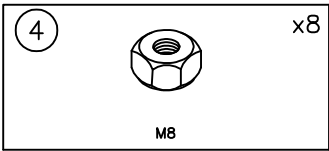
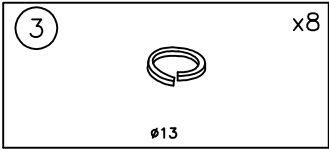
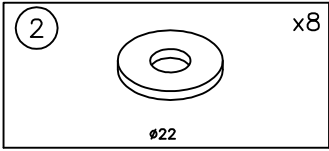
BOX 2 OF 2



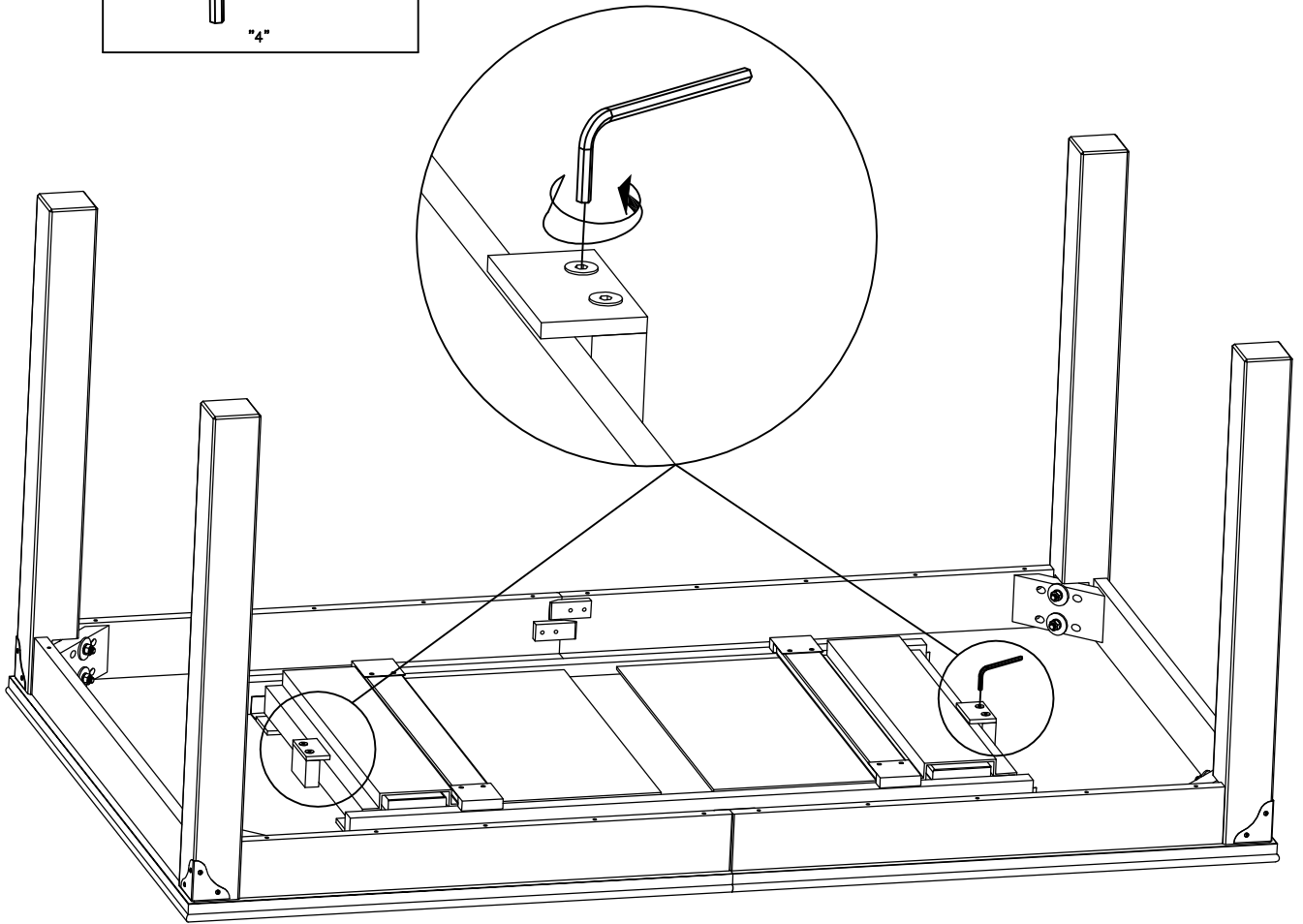
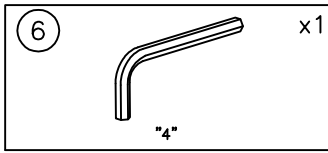
1.



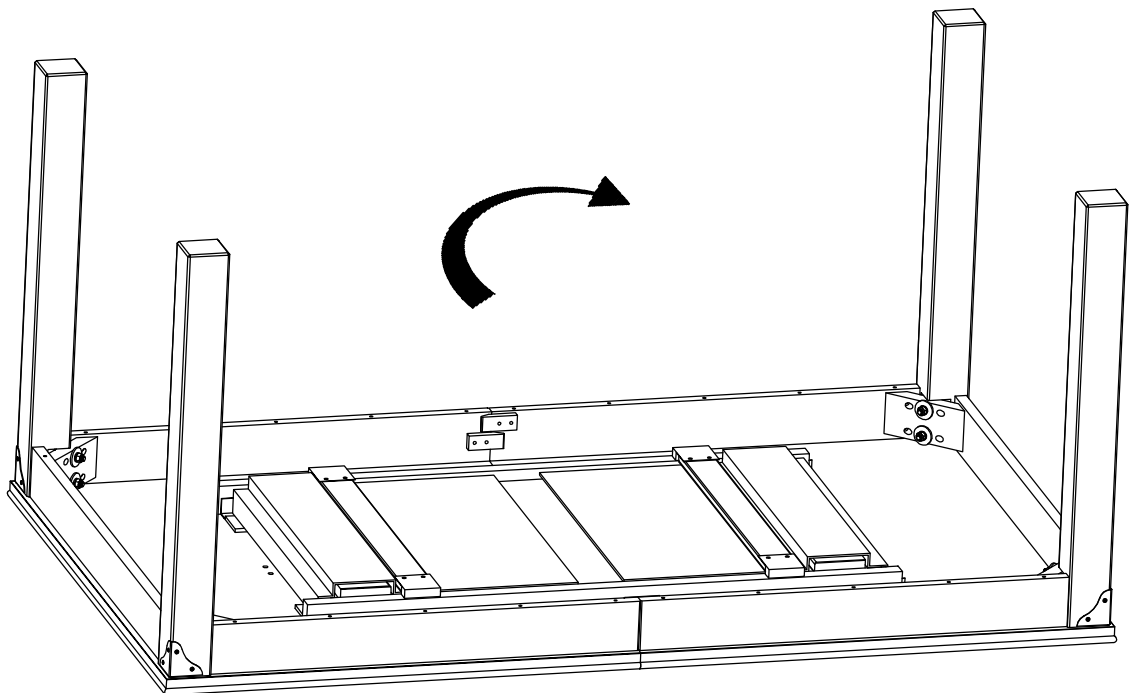
2.



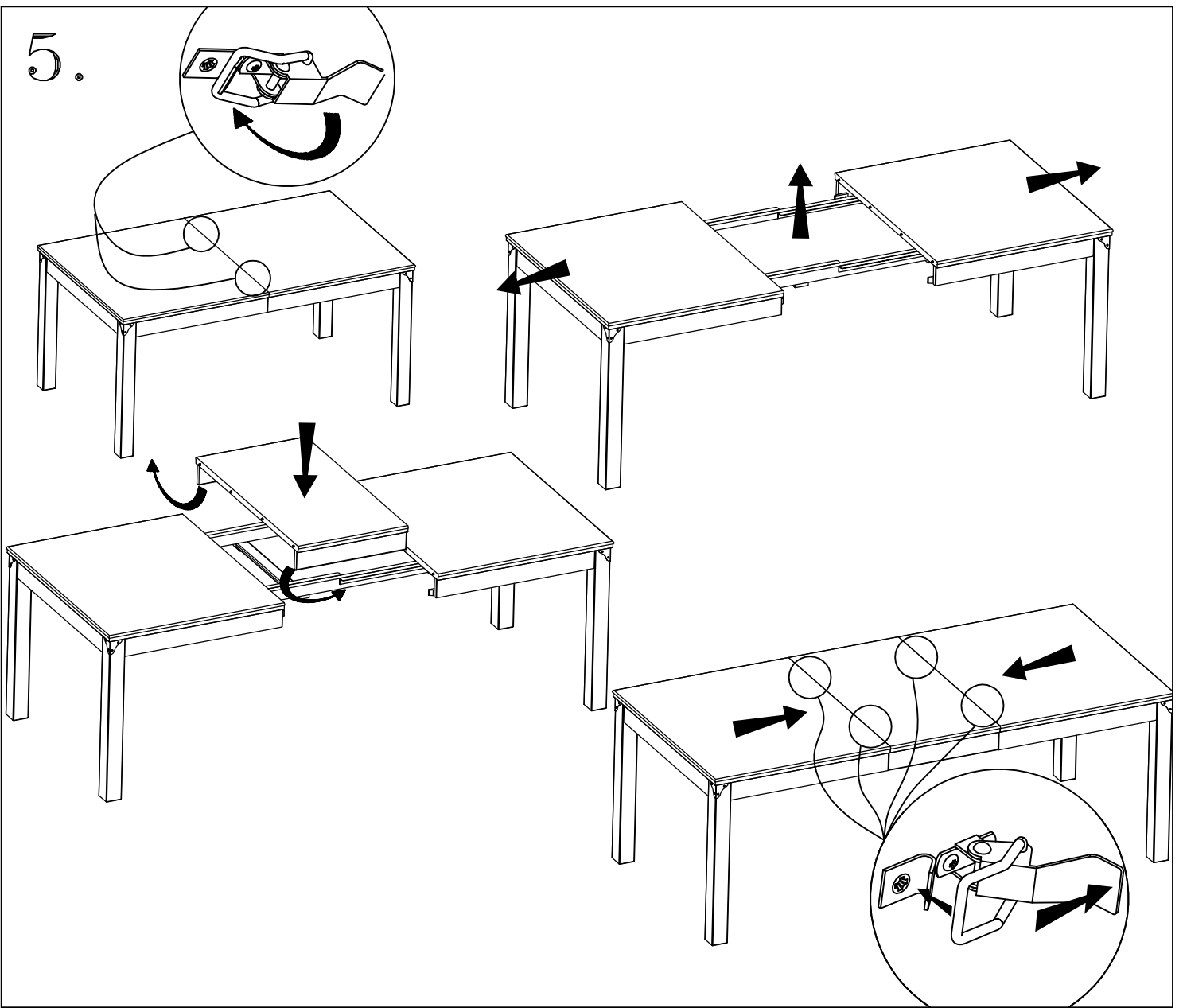
3.



4.



5.



6.

