

BEFORE YOU GET STARTED...

We're confident you'll love your gorgeous new Next furniture. However, it's worth making absolutely certain before you put it all together. So, let's quickly run through these three steps:

1. COLOUR

Make sure you're happy with the colour
No need to unpack everything, just check the first component.

2. PROTECTIVE PACKAGING

If you're happy, then it's time to get opening! Start by laying everything out on the protective packaging – this will prevent anything getting scratched.

3. PARTS PAGE

Finally, double check you have all the pieces by referencing the parts page of the instructions.

TIPS FOR RETURNS

Not completely happy with the product? No problem. We just need everything back in the original packaging, so follow the steps below and this will ensure a super-smooth returns process and no delay to your refund.

DO



- Check everything is there (the 'parts page' is a handy checklist).
- Pop all the loose fittings and fixtures into the packaging provided or tie them up in a plastic bag.
- Wrap all the big components back up in the original protective packaging.
- Close up the box and seal it securely (don't be afraid to use plenty of tape).

DON'T



- Leave anything assembled - all components should be dismantled and separately packed.
- Put loose fixtures and fittings straight into the box.
- Throw it back in the box carelessly – as it may get damaged.

**NEXT
HOME**

Then just give us a call on 0333 777 8999 and we'll sort out a pick up time for you.

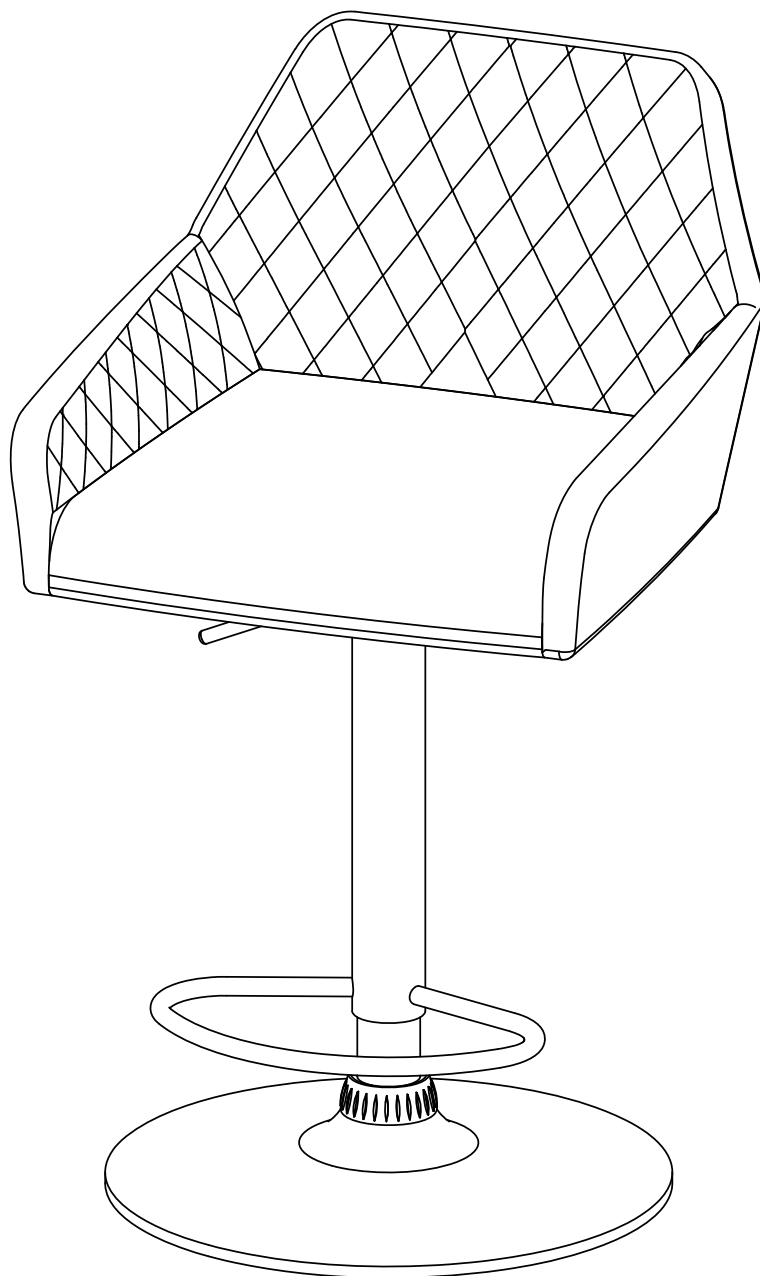
NEXT

HAMILTON GAS BAR STOOL

Assembly instructions

Actual product size

H89-104 x W50 x D53.5cm



Need Help?

With: Assembly instructions
Missing or damaged parts

CALL: 0333 777 8999

IMPORTANT – RETAIN FOR FUTURE REFERENCE



HAMILTON GAS BAR STOOL

Assembly instructions

BEFORE YOU START

Number of people required to assemble

One person is required to assemble this item.

Tools required

Time to assemble: 30mins



Missing parts

If you are missing any fixtures and fittings for your product, please contact our customer service team on **0333 777 8999**, and they will be happy to arrange for a replacement to be sent to you free of charge.

Home service technicians

If you have a fault with your product please contact our customer service team on **0333 777 8999**. If you have had the product for 28 days or less you may be offered a replacement, refund or for a fully trained home service technician to visit your home to assess the fault and repair the product where possible. If you have had the product for more than 28 days we will send an independant home service technician to review and repair the product where possible and recommend further action.

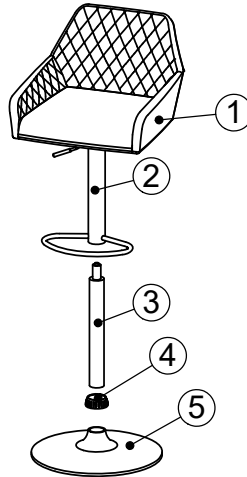
You can write to us at

Home Customer Services
Next Retail Ltd,
Desford Road,
Leicester,
LE19 4AT

Item No.	Description	Composition
198647	MONZA CHARCOAL	Face 100% Polyurethane, Base 65% Polyester, 35% Cotton
466056	OPULENT VELVET STEEL	100% Polyester
733515	OPULENT VELVET BOTTLE GREEN	100% Polyester
201389	OPULENT VELVET NAVY	100% Polyester
203446	OPULENT VELVET BLUSH	100% Polyester
887581	MONZA FAUX LEATHER GREY	Face 100% Polyurethane, Base 65% Polyester, 35% Cotton
212474	MONZA GREY	Face 100% Polyurethane, Base 65% Polyester, 35% Cotton
695295	OPULENT VELVET BLACK	100% Polyester
M29621	MONZA PEPPERCORN	Face 100% Polyurethane, Base 65% Polyester, 35% Cotton
M47178	MONZA DARK GREY	Face 100% Polyurethane, Base 65% Polyester, 35% Cotton
M47179	MONZA DARK GREY	Face 100% Polyurethane, Base 65% Polyester, 35% Cotton
T25398	ARONA FAUX LEATHER NATURAL	100% Polyester
U37949	ARONA FAUX LEATHER NAVY	100% Polyester
U63526	SOFT VELVET NAVY	100% Polyester
C25087	SOFT VELVET MID GREY	100% Polyester
995888	MONZA MINK	Face 100% Polyurethane, Base 65% Polyester, 35% Cotton
995894	SOFT VELVET RUST BROWN	100% Polyester

To View our full furniture range please visit www.next.co.uk

GETTING TO KNOW YOUR PRODUCT



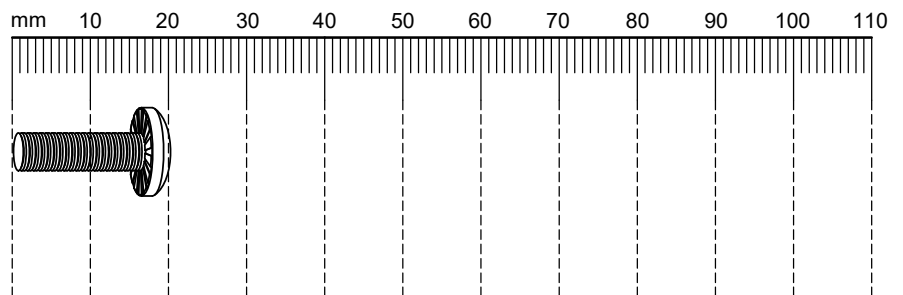
Components supplied. Please use this guide if you require replacement parts.

Ref	Dimensions	Visual	Qty	Ctn
1	50x53cm		1	1
2	30x40cm		1	1
3	52cm		1	1

Ref	Dimensions	Visual	Qty	Ctn
4	7.5cm		1	1
5	45cm		1	1

Fixtures and fittings supplied (actual size)

Ref	Dimensions	Qty	*Extra Fittings
A	M6 x 16mm	4	1



Fixtures and fittings supplied(not to scale)

Ref	Dimensions	Visual	Qty
C	5mm		1

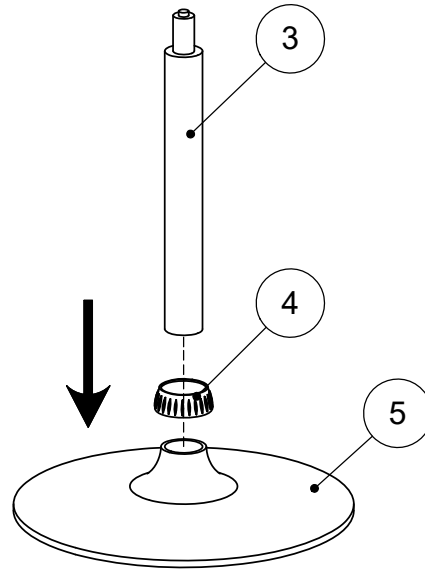
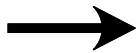
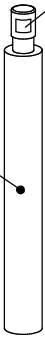
Ref	Dimensions	Visual	Qty	*Extra Fittings
B	18mm		4	1

1

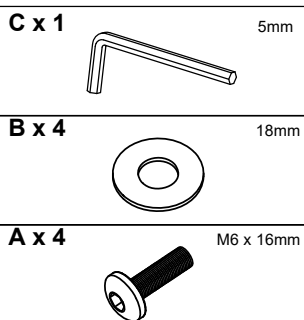
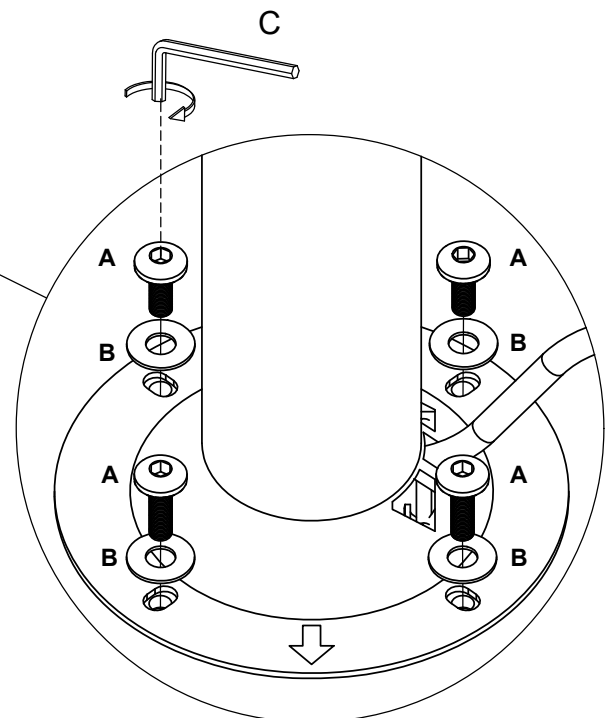
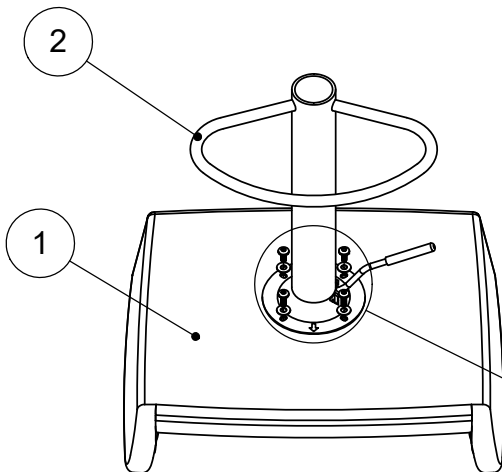
Please remove
before assembly!



3



2

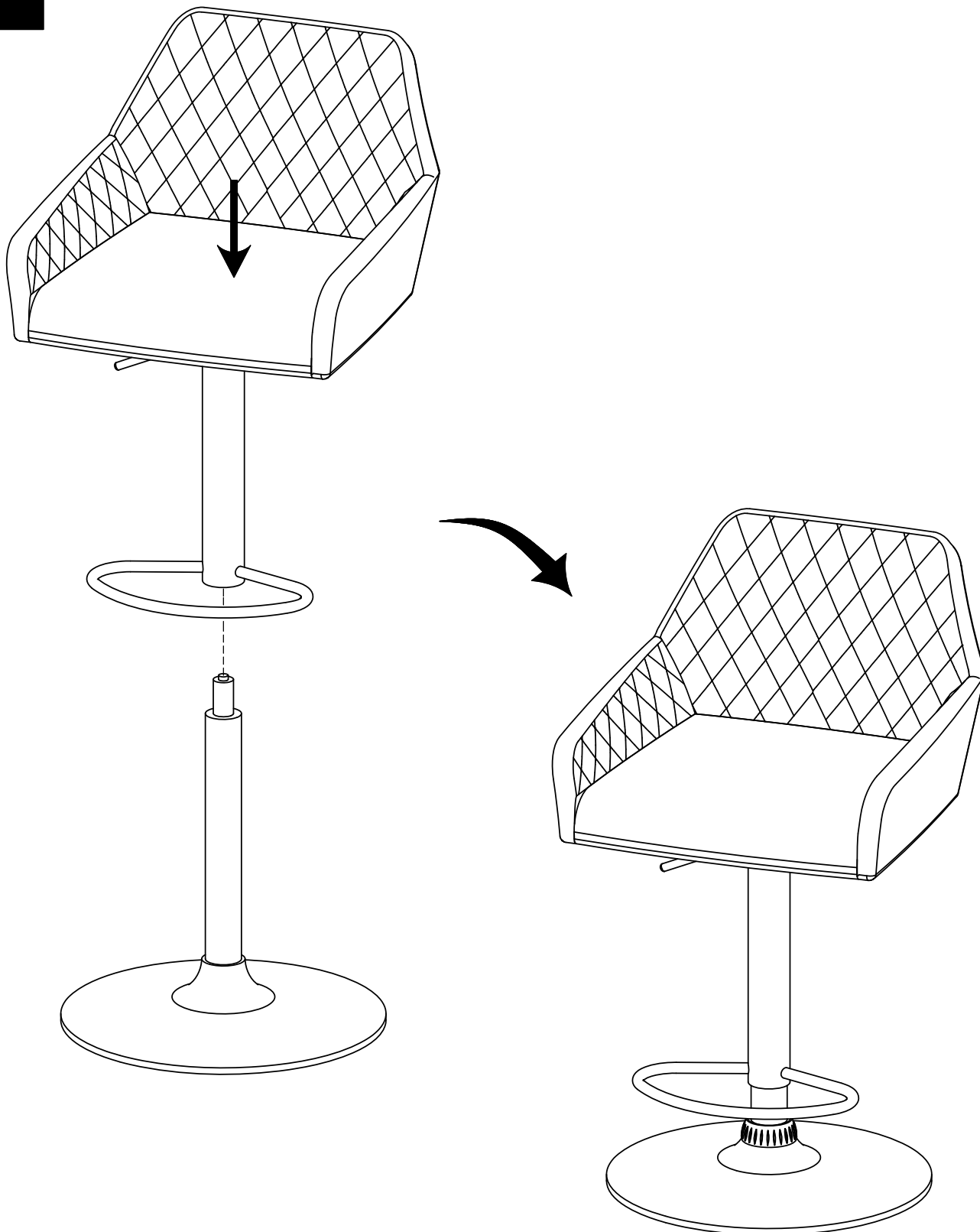


NEXT

HAMILTON GAS BAR STOOL

Assembly instructions

3





HAMILTON GAS BAR STOOL

Assembly instructions

Warnings

We suggest you retain these instructions for future reference.

Keep fittings out of children's reach and keep children well away from construction area.

This product should only be used on firm, level ground.

Please periodically check all fittings and re-tighten as necessary.

Please do not stand or lean back on your furniture.

Avoid exposing the furniture to excessive heat or direct sunlight as this can cause cracking of the wood and deterioration of the colour.

Keep away from strong heat sources.

Do not use this item if components are missing or broken.

Do's

We suggest you spend a short time reading through this leaflet before you start .

When you are ready to start, make sure that you have the right tools and plenty of space .

Unwrap all packaging materials and place the components on a clean surface to protect it from damage. We recommend that the packaging is used to protect the surfaces during assembly.

Carefully check that you have all the parts before beginning assembly.

Ensure the product is fully assembled as illustrated and all fixings fully tightened before use.

Check fixings regularly to ensure they remain tight and legs / feet are secure.

Always ensure that floor protectors are used on the legs according to your flooring type.

To clean your items, please lightly wipe with a slightly dampened cloth.

For leather items dust regularly with a soft cloth, preferably once a week, to keep the leather pores free from dust particles.

For velvet items use a soft brush lightly dress the fabric. Lightly wipe with a slightly dampened cloth to clean.

For velvet items avoid scratching the fabric as the pile may not recover and permanently mark it.

Don'ts

When moving furniture never drag the pieces across the floor, as this will cause damage to the joints or potential damage to the floor.

Apply Adhesive substrates for example, sticky tape to the product .

Do not use silicone based furniture polish. Silicone in furniture polishes can break down the lacquer finish.

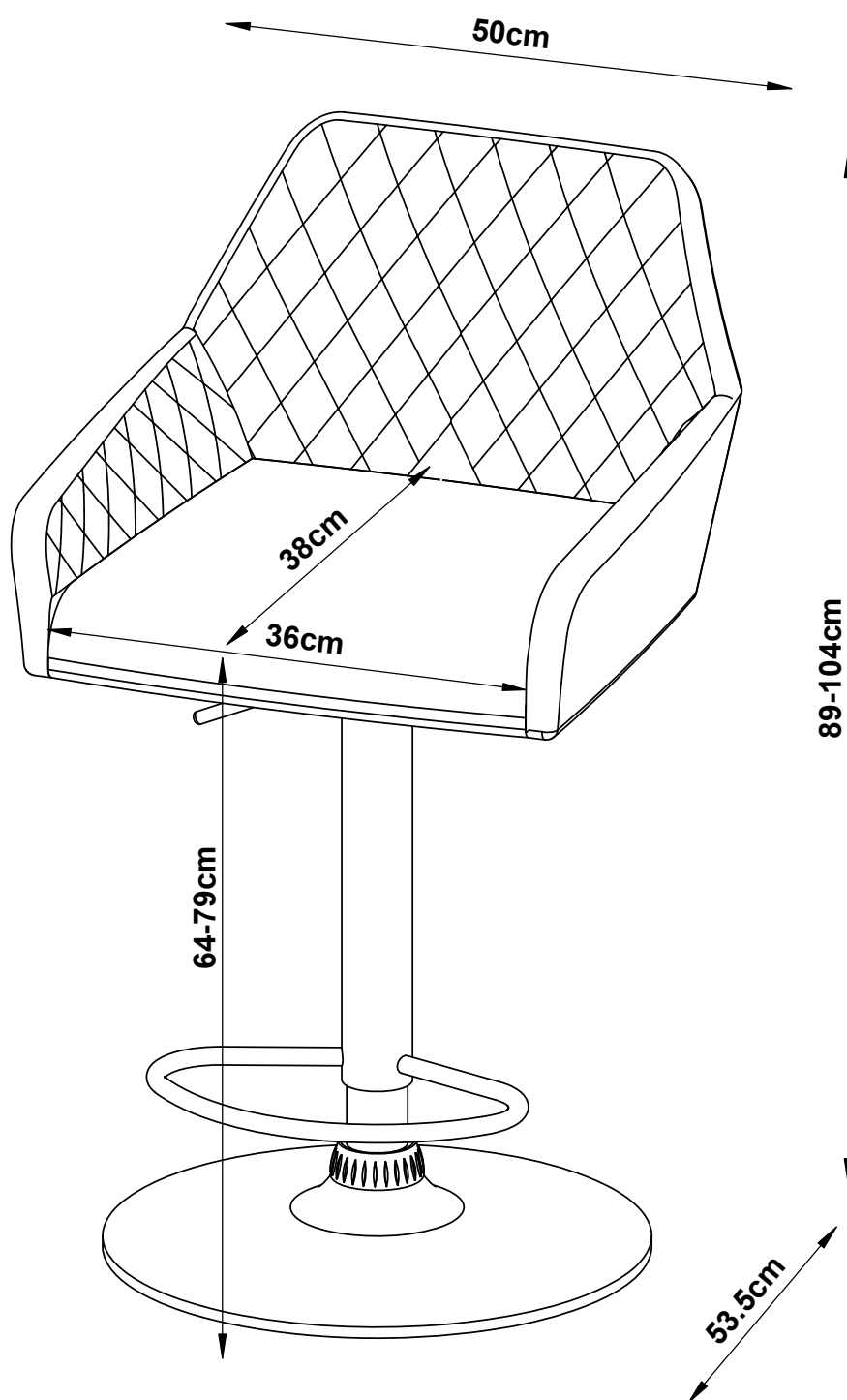
Never allow any kind of liquid to remain on your furniture. Absorption can cause finishes to de-laminate and or stain.

Please do not stand or lean back on your furniture.

NEXT

HAMILTON GAS BAR STOOL

Assembly instructions



NEXT

HAMILTON GAS BAR STOOL

Assembly instructions

