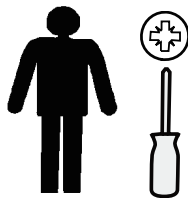


A13343 Bronx Corner Shower Caddy

next

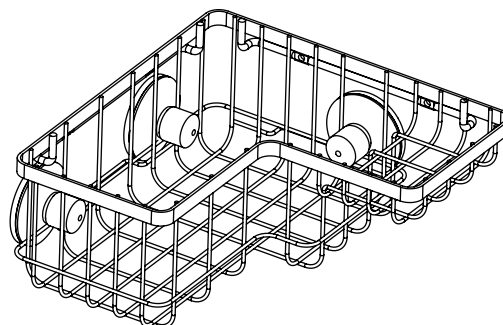
Tools Needed

One person assembly



Assembly Instructions

Please keep these instructions for future reference



Helpline

If you have any problems with this product please contact:
Customer Services Tel: 0333 777 8185

Regrettably self assembly items cannot be returned once assembly is part or fully completed unless the items are found to be faulty. Should you need to return the unassembled product, please repack in its original packaging.

Important

- We suggest you spend a short time reading through this leaflet and then follow the simple step-by-step instructions.
- Carefully check that you have all the parts before beginning assembly.
- Keep fittings out of children's reach and keep children well away from construction area.
- We suggest you retain these instructions for future reference.
Maximum weight load 3 kg (6.6lb)

Product Information

- Made in China.
- Made with powder coated steel and plastic suction cups.

Care Instructions

- Clean with soap and water only and clean the product thoroughly.
- Do not rub or scrub the surface when cleaning.
- Do not use any cleaning agents containing solvents, acids or any scouring agents or scrubbing sponges.

WARNING

- WARNING: Always ensure intended wall area to be drilled is free from hidden electrical wires, water and gas pipes.
- NB: Wall fixings are not included - please source suitable fixing for your wall type. If in doubt consult a qualified tradesman.

Instructions

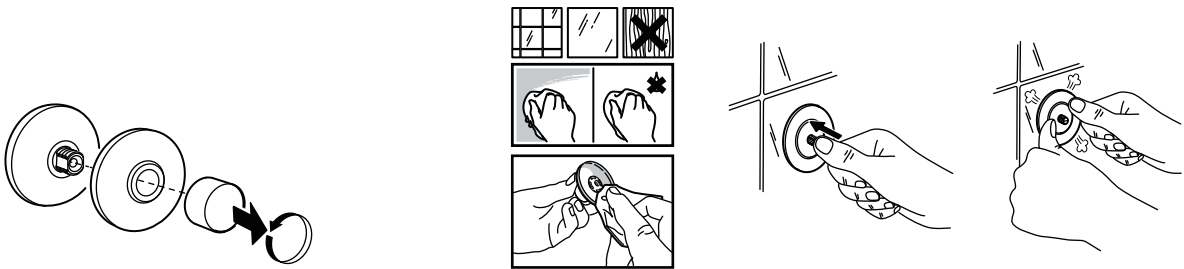
- Use suction cups sticks on smooth flat surfaces or choose to screw to the wall instead.
- Wood or rough wall surfaces aren't suitable for suction cups and screws and wall plugs should be used instead.
- Ensure the attachment surface is clean, dry and free from grease, wax and solvents. Clean the area with warm soapy water and dry thoroughly.

Suction Cups for a flexible storage solution

- Clean the surface of the suction cup with warm water then dry thoroughly with a dry cloth before use.
- Please note the suction cups are only suitable to be used on a smooth surface such as glazed tiles, glass and metal.
- Please ensure the assembly instructions are followed.
- Please check and tighten the cap frequently.

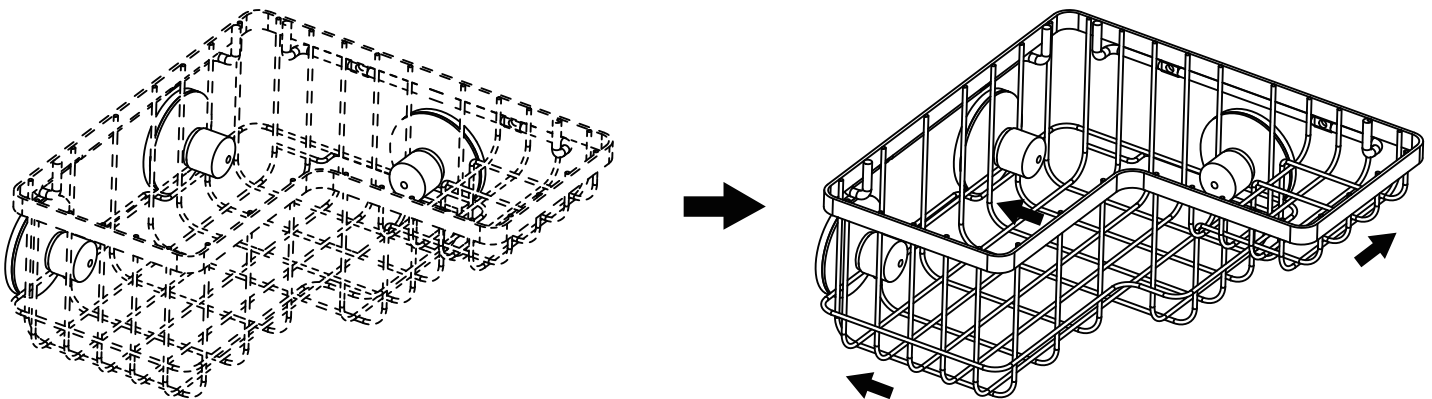
Step 1

- Place the suction cups to the desired area and press firmly like as picture.



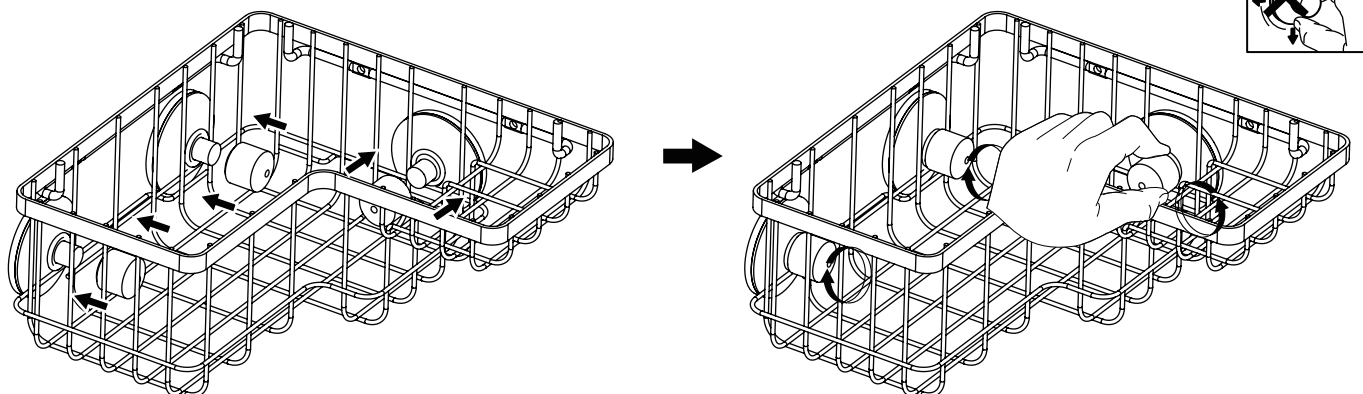
Step 2

- Place the wire product with suction cups like as picture.



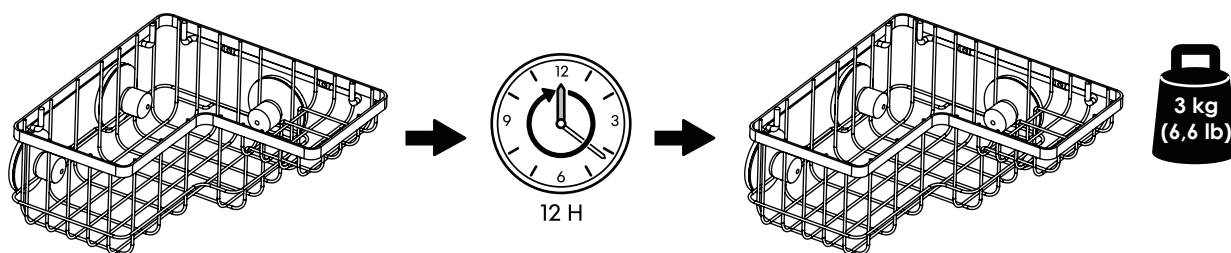
Step 3

- Twist the plastic cap into the suction cups until it tight.



Max. load: 3 kg (6.6lb)

After assembly, leave the product on the wall for 12 hours before using it. This helps the suction cups to adhere better. For increased stability, make sure to retighten the suction cups every month.



Screws and wall plugs for a more permanent fixture

- This item can be mounted to the wall. Wall fixings (screws and wall plugs) are not included.
- Please ensure wall material and fixings are suitable before mounting. If unsure, please seek professional advice.

Fittings and Tools required



A

(not supplied)



B

(not supplied)

Assembly Diagram

- 1 Hold the product in the desired position and mark drill holes.

