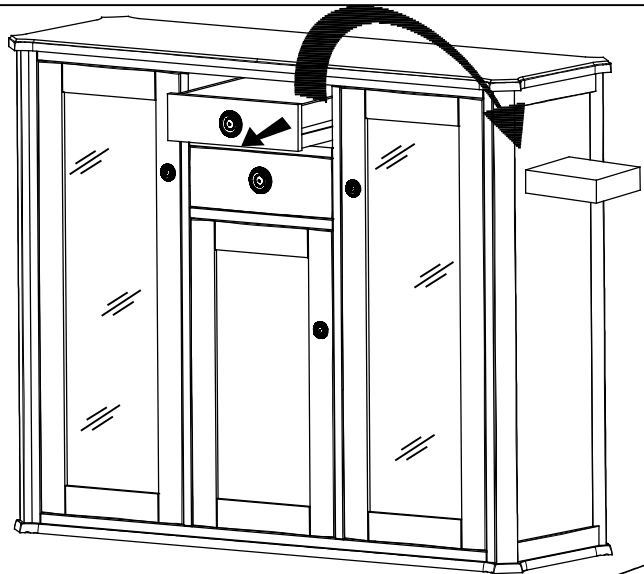
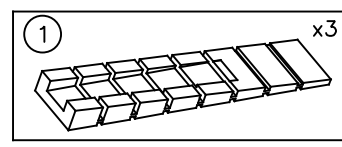
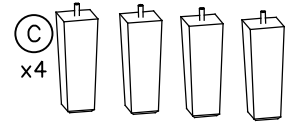
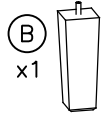
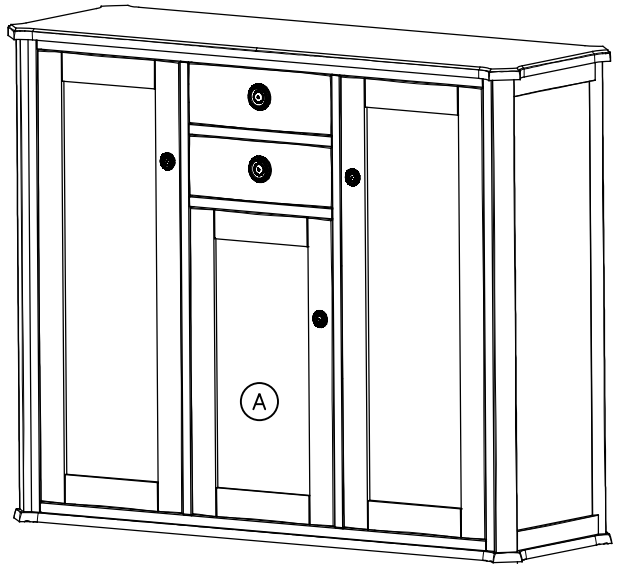
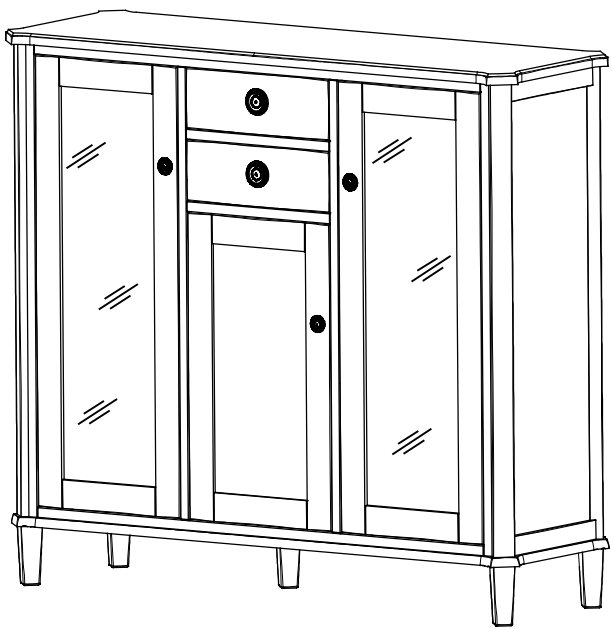
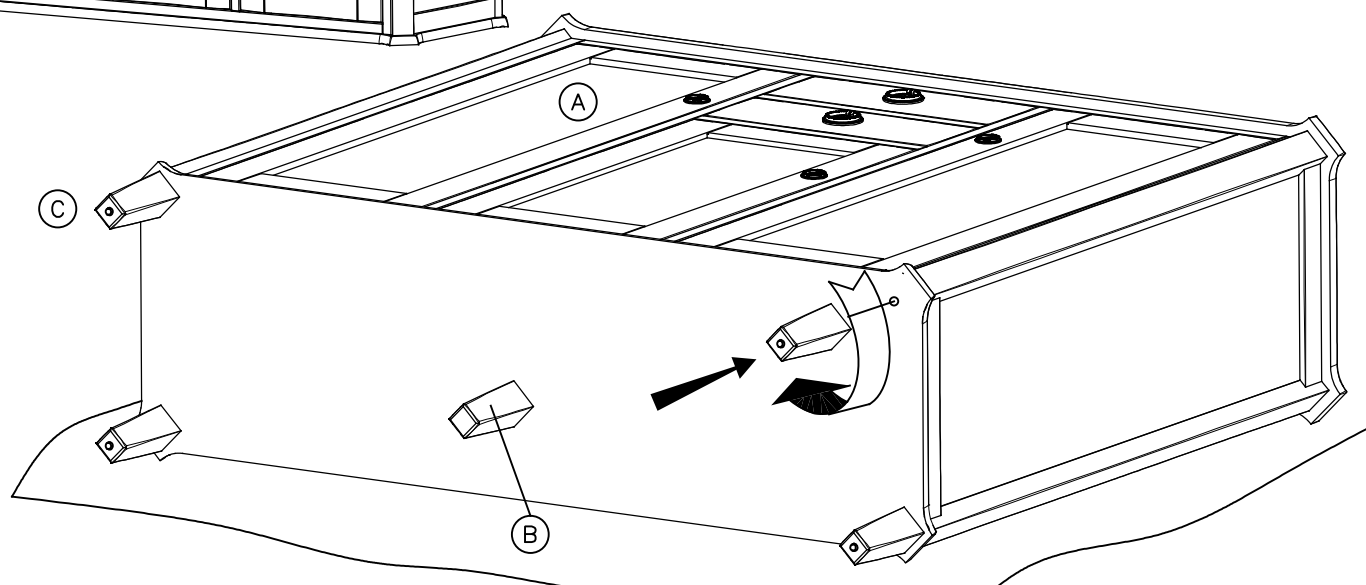


ASSEMBLY INSTRUCTION

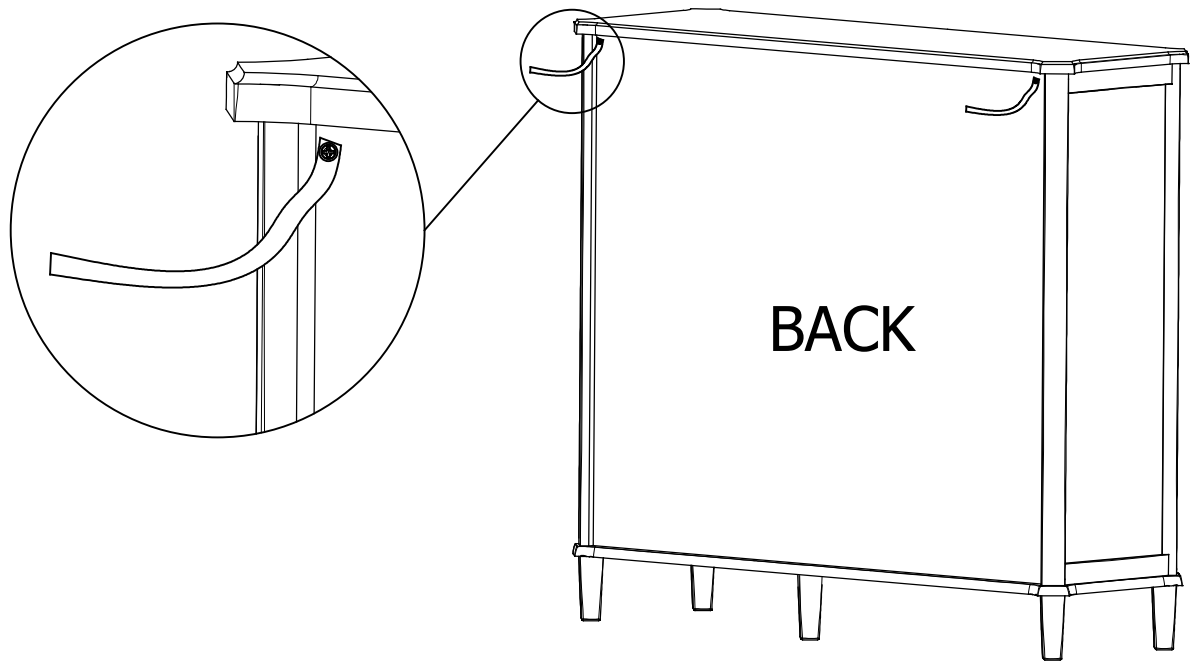
HENSHAW DISPLAY CABINET HN22



1.

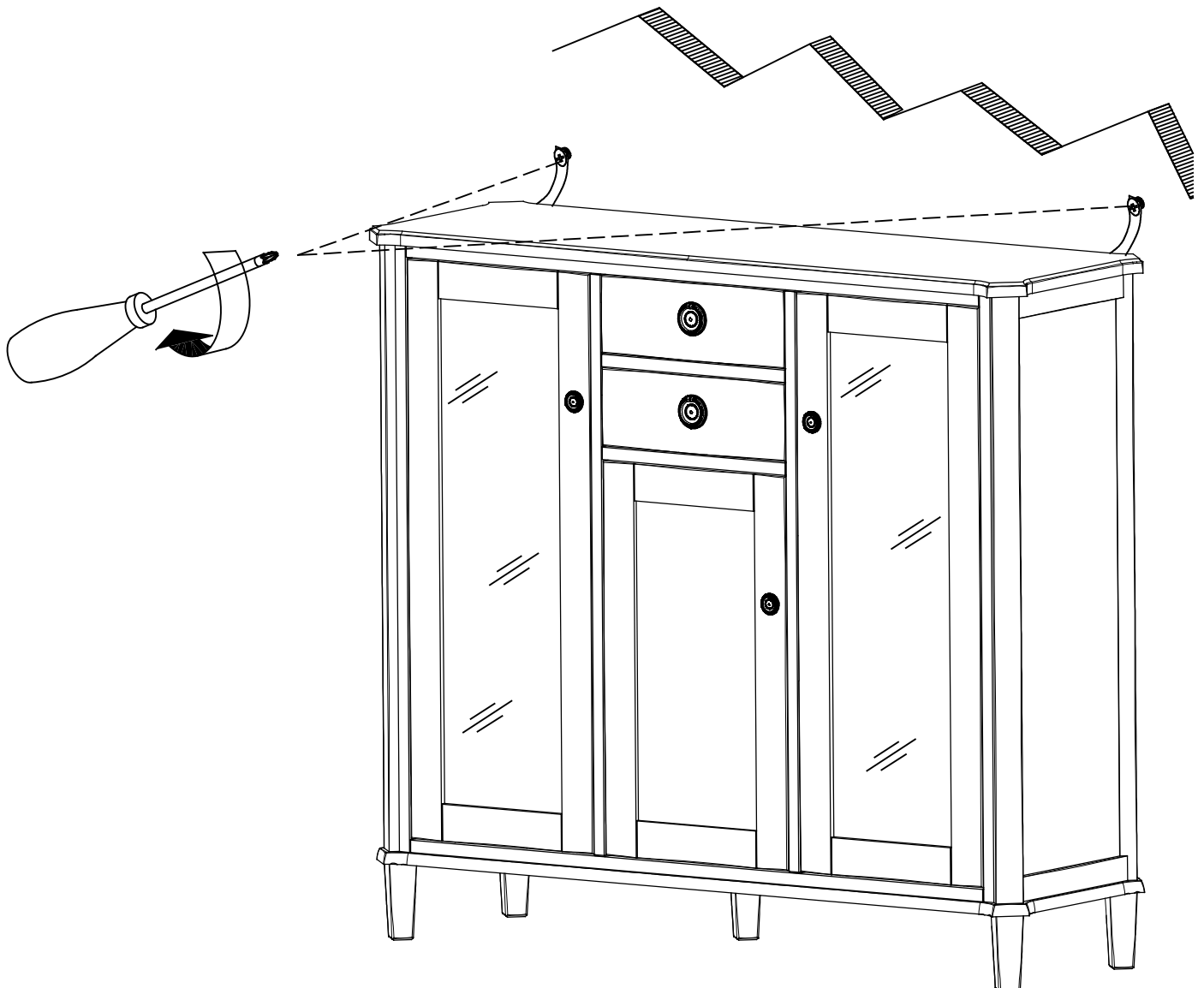


2.



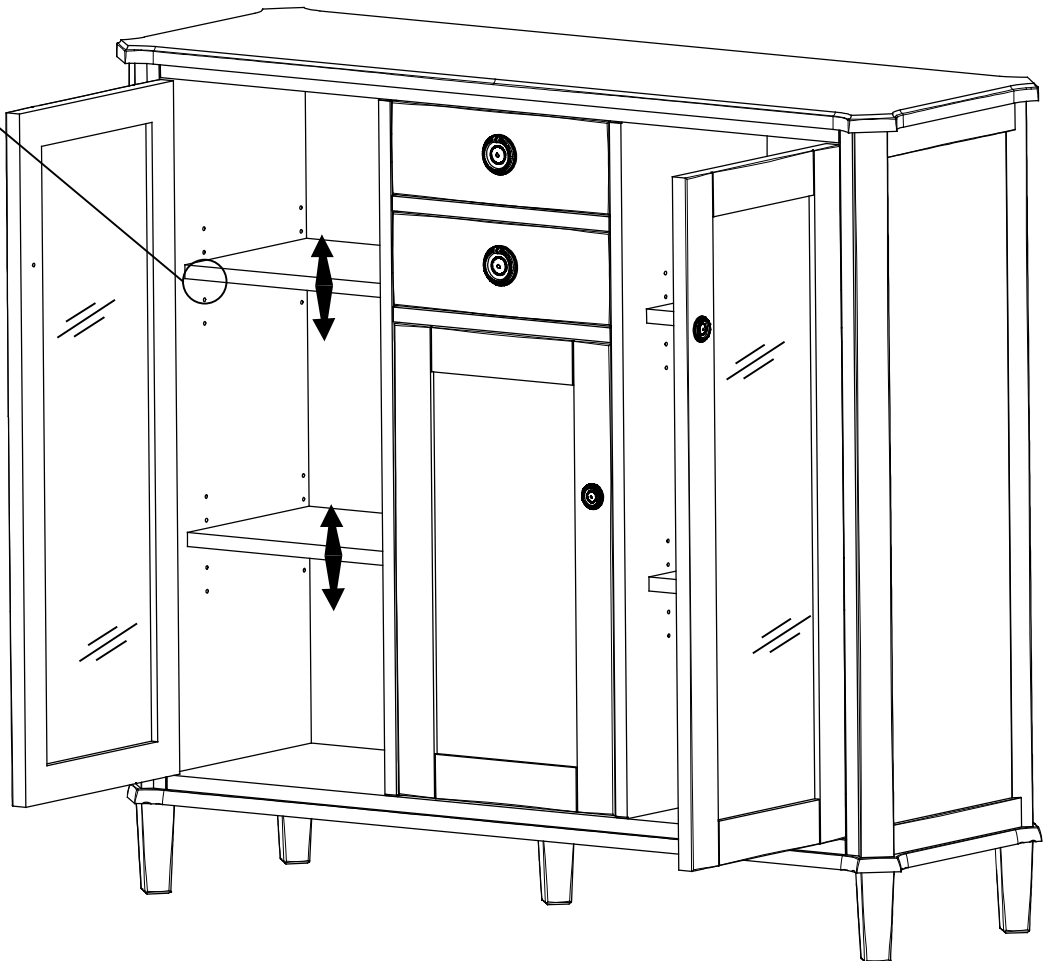
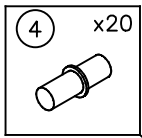
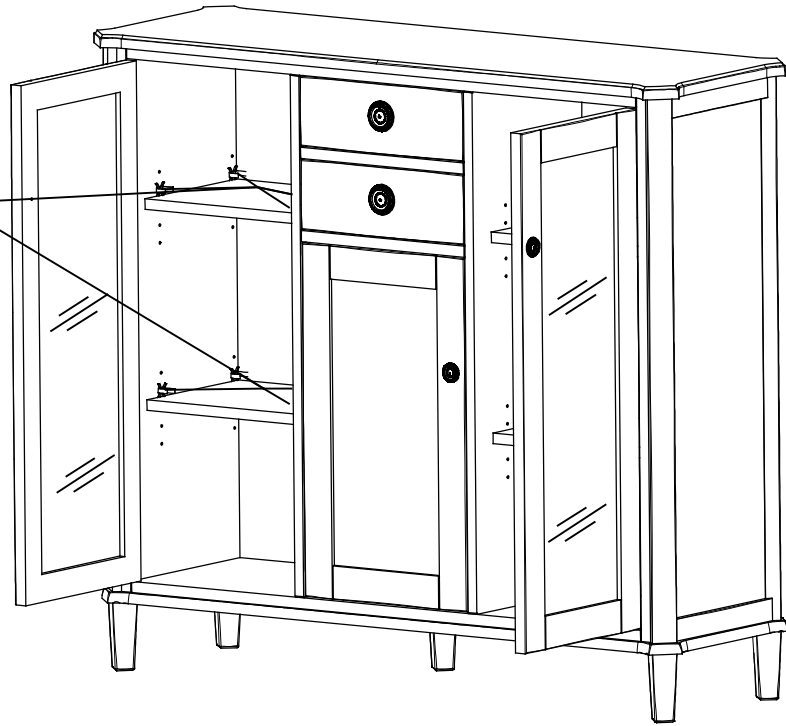
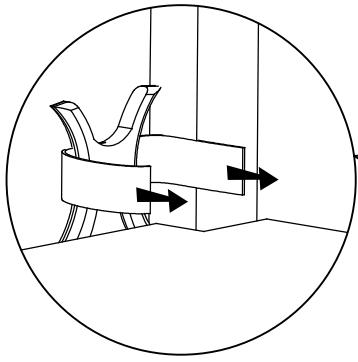
Important note: It is essential that this product is fixed to a wall using the strap supplied.

Wall fixing is not supplied, please purchase suitable fixing for the wall.



Always ensure that the wall attachment strap is correctly fitted.

3.



4.

