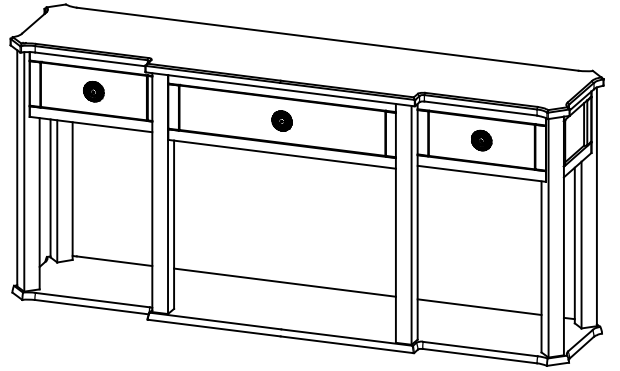
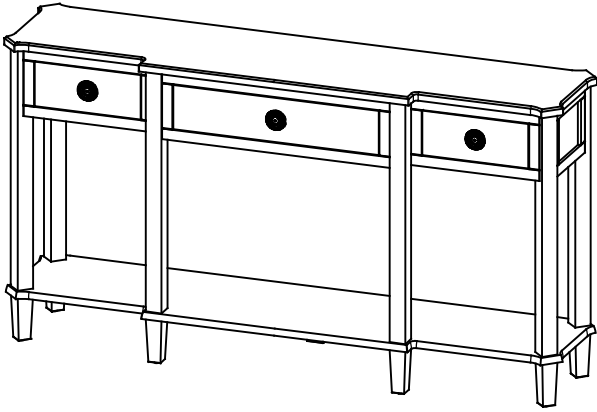


# ASSEMBLY INSTRUCTION

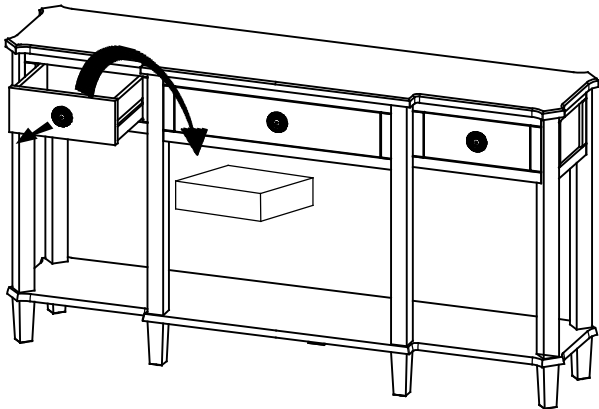
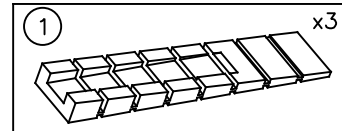
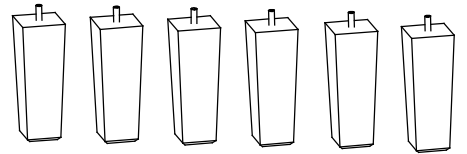
## HENSHAW TRIPLE CONSOLE TABLE



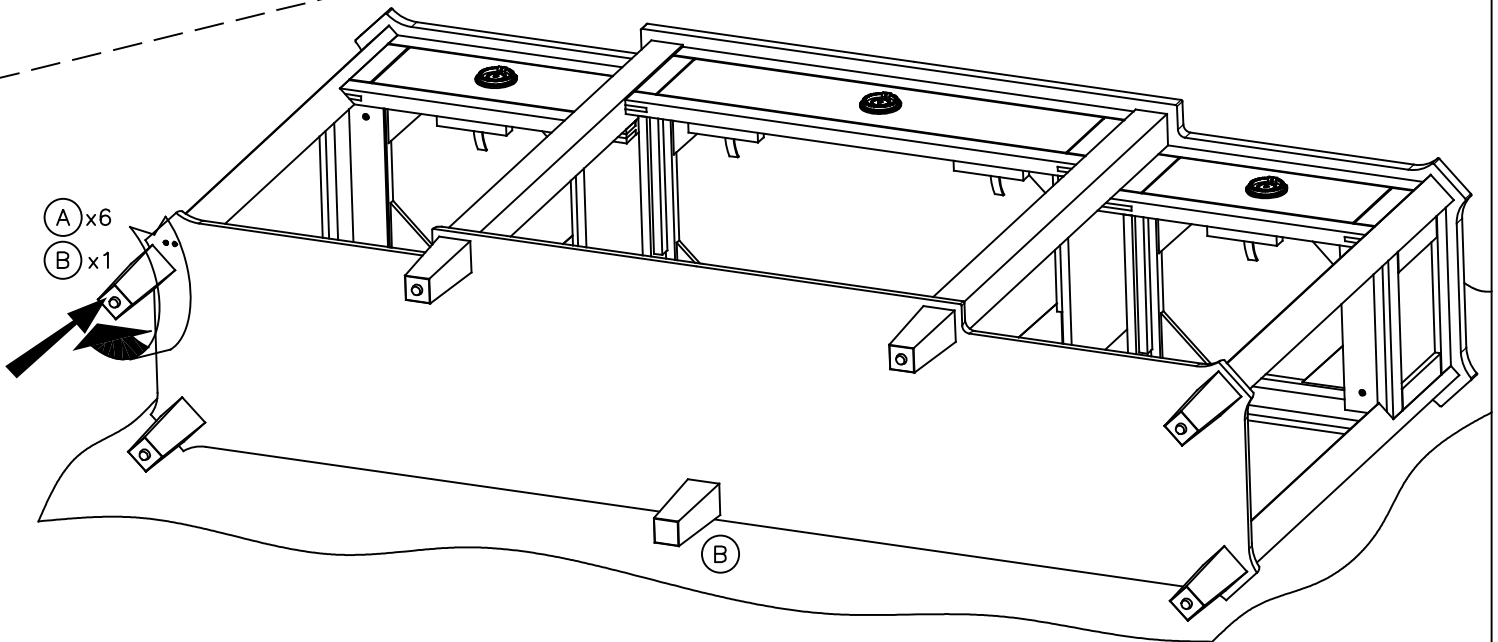
(B) x1



(A) x6



1



2

