

next

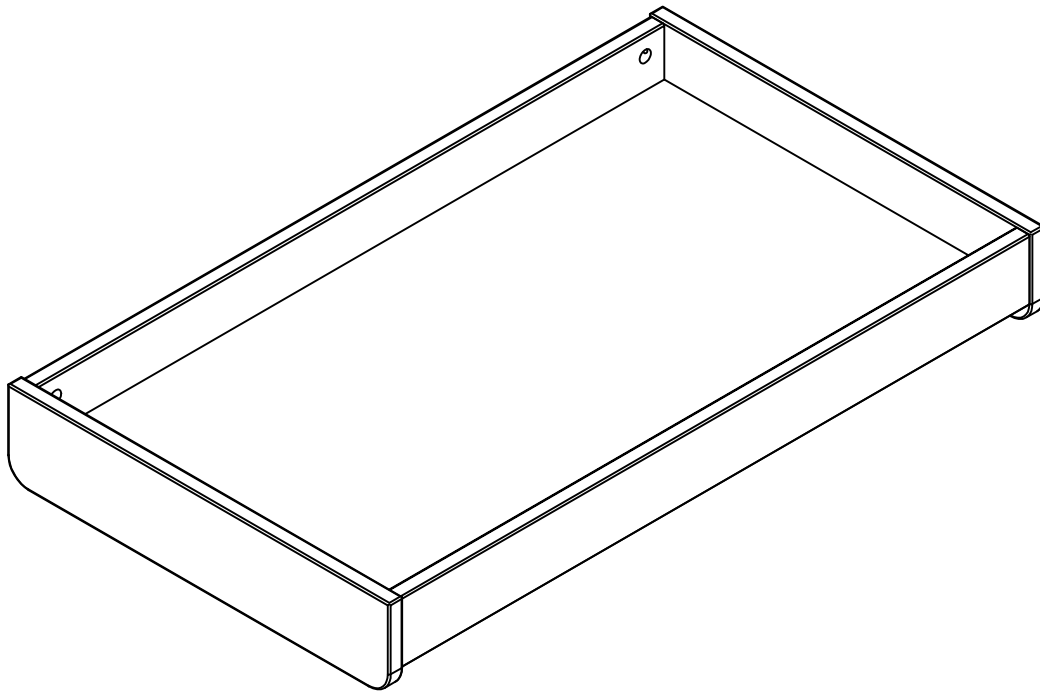
ALIX CHANGING UNIT CONVERTER

A27742

Assembly instructions

Actual product size

H11 x W87.5 x D51cm



**IMPORTANT -
RETAIN FOR FUTURE REFERENCE -
READ CAREFULLY.**

Need Help ?

With: Assembly instruction
Missing or damaged parts

CALL: 0333 777 8999

BEFORE YOU START

Number of people required to assemble

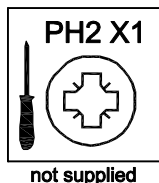
One people are required to assemble this item



Time to assemble : 30 minutes



Tools required



not supplied

WARNINGS

WARNING: Do not leave your child unattended-your child's safety is your responsibility.

WARNING: Do not use the item if any part is broken, torn or missing

WARNING: There are many small components used in the construction of this item, these components should be kept out of reach of young children whilst assembling the unit

Do's

When you are ready to start, make sure that you have the right tools and plenty of space

Due to the size of the product we recommend that it is assembled in the room intended for use

Unwrap all packaging materials and place the components on a clean surface to protect it from damage,

We recommend that the packaging is used to protect the surfaces during assembly

Carefully check that you have all the parts before beginning assembly

Please periodically check all fittings and re-tighten as necessary. Please do not drag or pull your furniture

Wipe occasionally with a soft cloth slightly dampened with water. Then buff with a dry clean soft cloth

We recommend a changing pad of W 830 x D 460 mm

Place your item on a stable surface

Take care that no screws are loose, because a child could trap parts of the body or clothing, which could pose a risk of strangulation

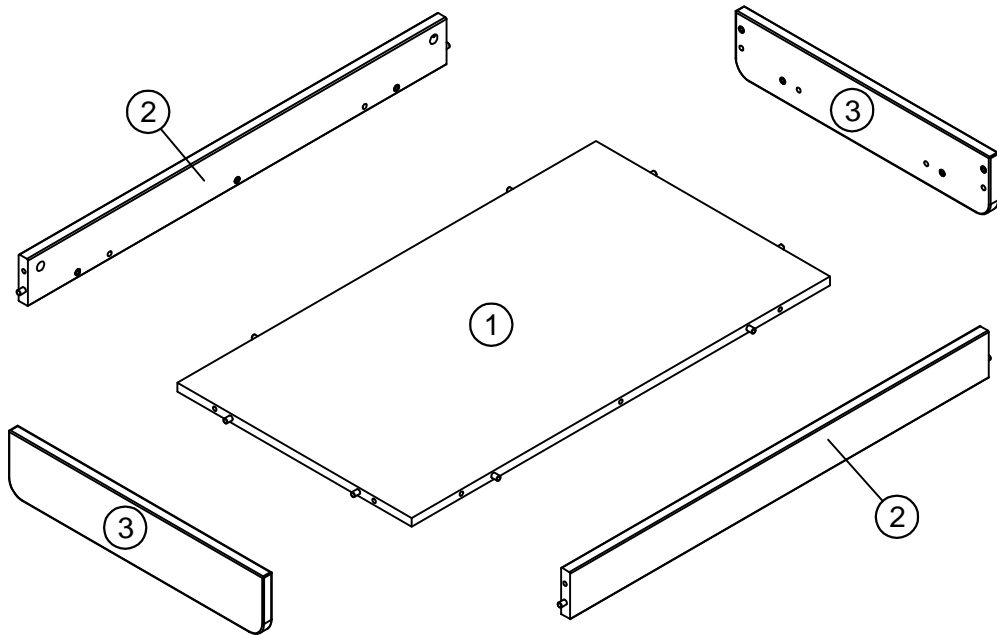
Don'ts

Never allow any kind of liquid to remain on the furniture. Absorption can cause wood to warp or finishes to de-laminate

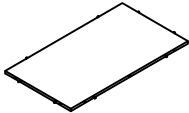


Do not place your changer or dresser in the close proximity of an open fire and the sources of heat, such as radiators, electric or gas fires

Do not place your changer or dresser in the close proximity of windows

GETTING TO KNOW YOUR PRODUCT

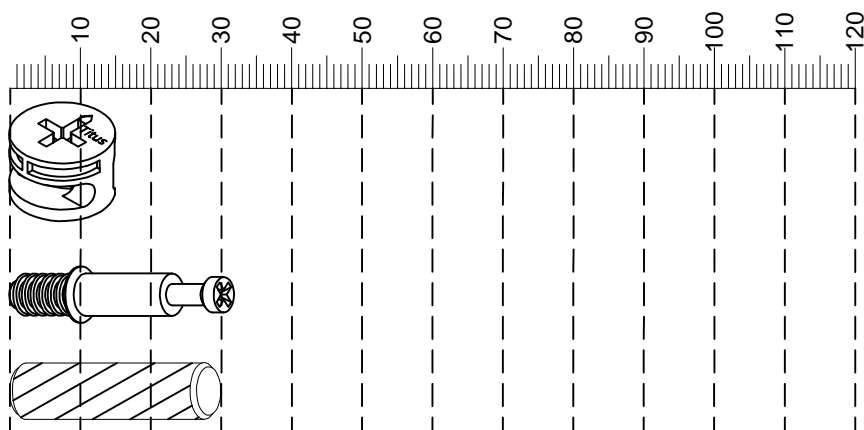


Components supplied. Please use this guide if you require replacement parts.

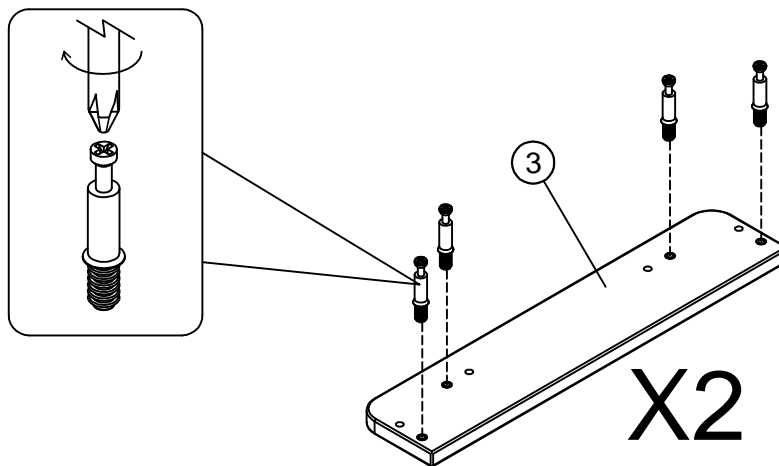
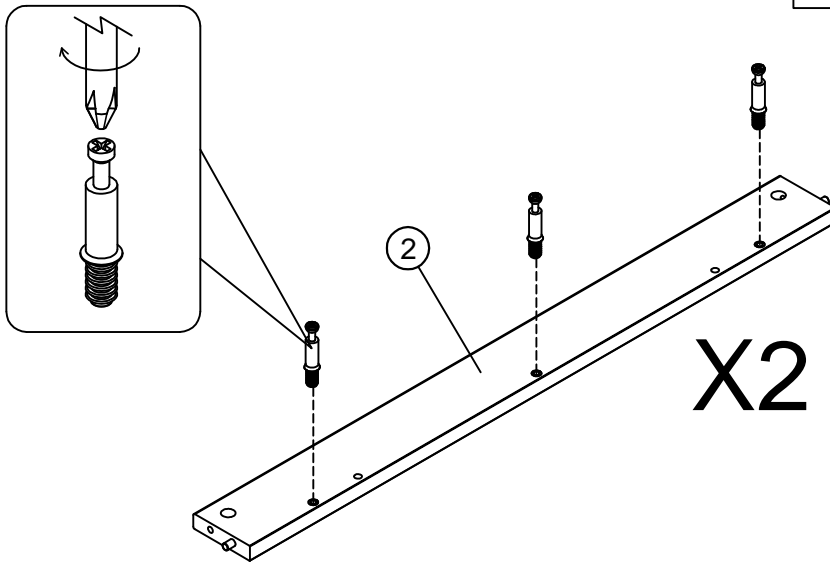
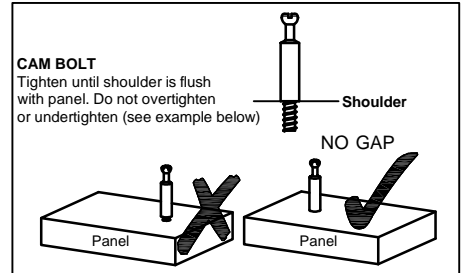
Ref	Dimensions	Visual	Qty	Ctn
1	47x84cm		1	1
2	8x84cm		2	1
3	11x51cm		2	1

**Fixtures and fittings
supplied (actual size)**

Ref	Dimensions	Qty	Spare Qty
B3	Ø15 x 12mm	14	2
B12	Ø7.5 x 33mm	14	1
D6	Ø8 x 30mm	N/A	2

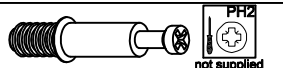


1



B12 Ø7.5 x 33mm

14



2

WHEN FITTING CAMS
ENSURE STARTING POSITION IS CORRECT
BEFORE YOU INSERT CONNECTING CAM-PILLAR
TURN CLOCKWISE UNTIL SECURE

✓

↑ CORRECT

✗

WRONG

B3	Ø15 x 12mm	6		 <small>not supplied</small>
----	------------	---	--	---------------------------------

3

WHEN FITTING CAMS
ENSURE STARTING POSITION IS CORRECT
BEFORE YOU INSERT CONNECTING CAM-PILLAR
TURN CLOCKWISE UNTIL SECURE

✓

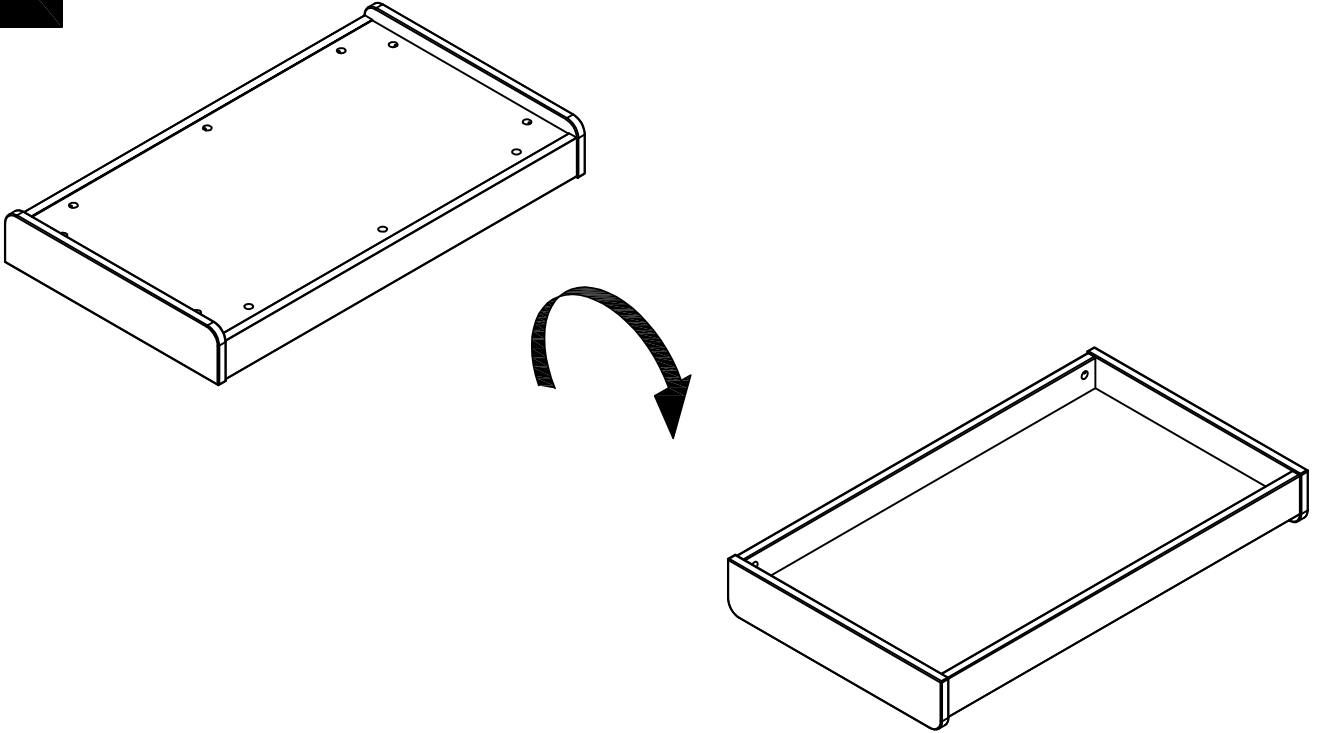
↑ CORRECT

✗

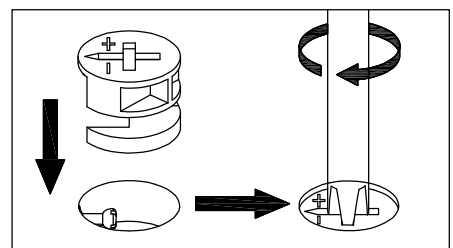
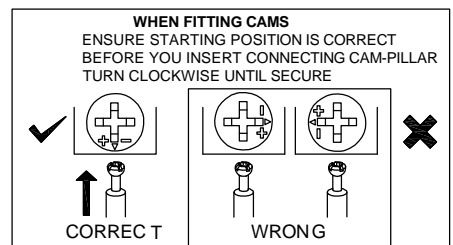
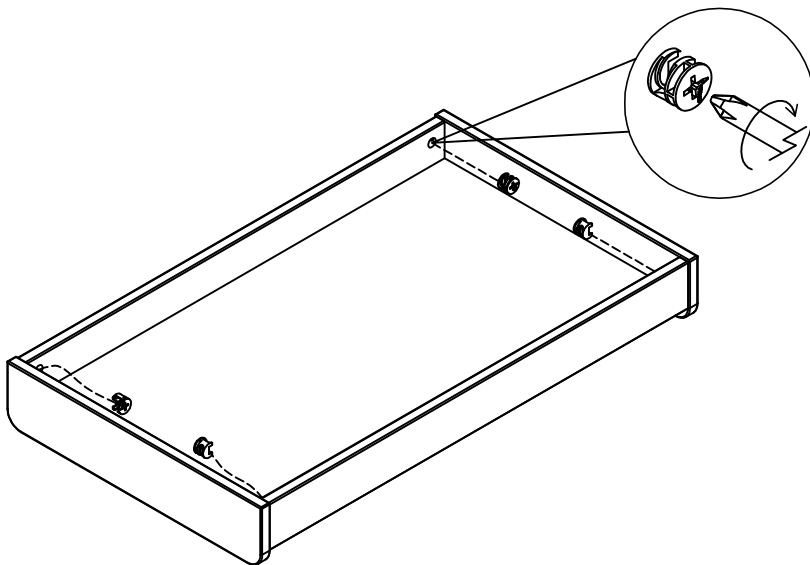
WRONG

B3	Ø15 x 12mm	4		 <small>not supplied</small>
----	------------	---	--	---------------------------------

4



5



B3 Ø15 x 12mm

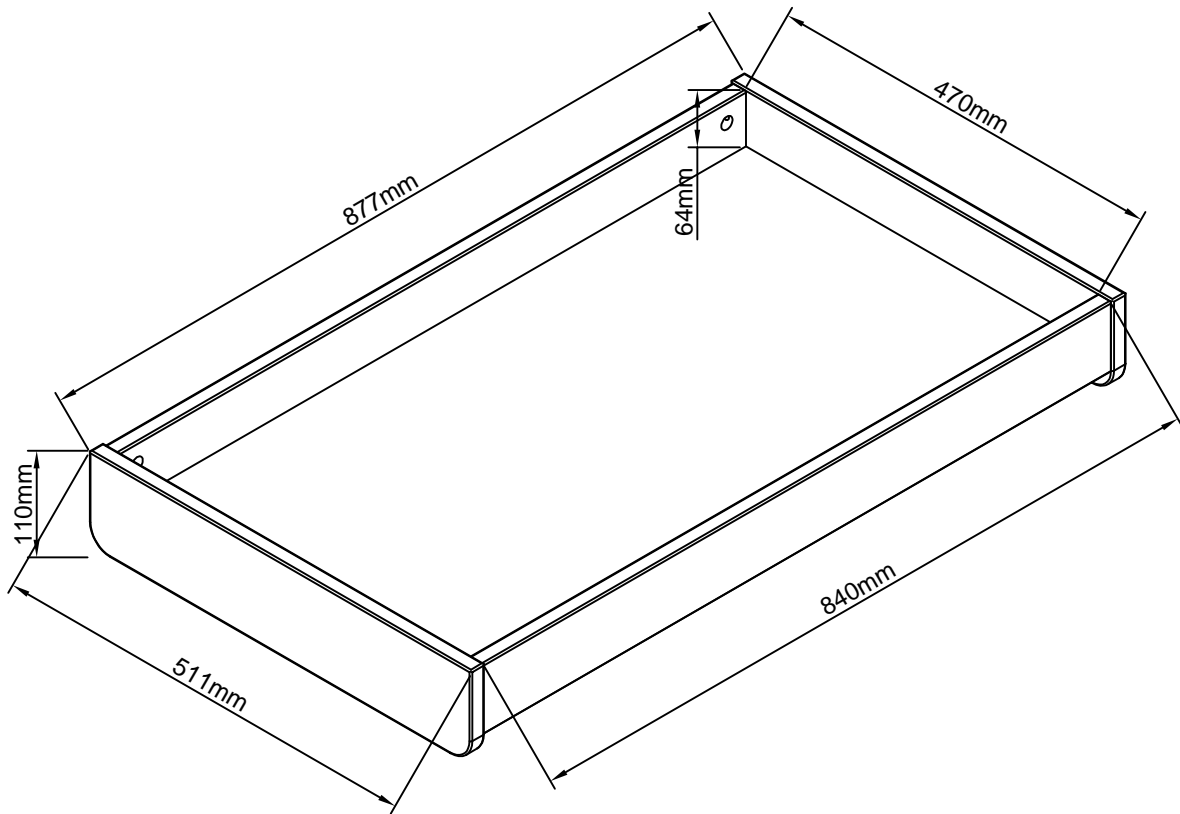
4



next

ALIX CHANGING UNIT CONVERTER
A27742

Actual product size
H11 x W87.5 x D51cm



WARNINGS

WARNING: Do not leave your child unattended-your child's safety is your responsibility.

WARNING: Do not use the item if any part is broken, torn or missing

WARNING: There are many small components used in the construction of this item, these components should be kept out of reach of young children whilst assembling the unit

Do's

When you are ready to start, make sure that you have the right tools and plenty of space

Due to the size of the product we recommend that it is assembled in the room intended for use

Unwrap all packaging materials and place the components on a clean surface to protect it from damage,

We recommend that the packaging is used to protect the surfaces during assembly

Carefully check that you have all the parts before beginning assembly

Please periodically check all fittings and re-tighten as necessary. Please do not drag or pull your furniture

Wipe occasionally with a soft cloth slightly dampened with water. Then buff with a dry clean soft cloth

We recommend a changing pad of W 830 x D 460 mm

Place your item on a stable surface

Take care that no screws are loose, because a child could trap parts of the body or clothing, which could pose a risk of strangulation

Don'ts

Never allow any kind of liquid to remain on the furniture. Absorption can cause wood to warp or finishes to de-laminate

Do not place your changer or dresser in the close proximity of an open fire and the sources of heat, such as radiators, electric or gas fires

Do not place your changer or dresser in the close proximity of windows

Missing parts

If you are missing any fixtures and fittings for your product.

Please contact our customer service team on 0333 777 8999 and they will be happy to arrange for a replacement to be sent to you free of charge.

Home service technicians

If you have a fault with your product, please contact our customer service team on 0333 777 8999. If you have had the product for 28 days or less you may be offered a replacement, refund or for a fully trained home service technician to visit your home to assess the fault and repair the product where possible. If you have had the product for more than 28 days we will send an independent home service technician to review and repair the product where possible and recommend further action.

You can write to us at

Home Customer Services
Next Retail Ltd.
Desford Road,
Leicester,
LE19 4AT

To view our full furniture range please visit www.next.co.uk

Testing

This product conforms to BS EN 12221-1&2:2018+A1:2013.