

BEFORE YOU GET STARTED...

We're confident you'll love your gorgeous new Next furniture. However, it's worth making absolutely certain before you put it all together.

So, let's quickly run through these three steps:

1. COLOUR

Make sure you're happy with the colour
No need to unpack everything, just check the first component.

2. PROTECTIVE PACKAGING

If you're happy, then it's time to get opening! Start by laying everything out on the protective packaging – this will prevent anything getting scratched.

3. PARTS PAGE

Finally, double check you have all the pieces by referencing the parts page of the instructions.

TIPS FOR RETURNS

Not completely happy with the product? No problem. We just need everything back in the original packaging, so follow the steps below and this will ensure a super-smooth returns process and no delay to your refund.

DO



- Check everything is there (the 'parts page' is a handy checklist).
- Pop all the loose fittings and fixtures into the packaging provided or tie them up in a plastic bag.
- Wrap all the big components back up in the original protective packaging.
- Close up the box and seal it securely (don't be afraid to use plenty of tape).

DON'T



- Leave anything assembled - all components should be dismantled and separately packed.
- Put loose fixtures and fittings straight into the box.
- Throw it back in the box carelessly – as it may get damaged.

next
HOME

Then just give us a call on 0333 777 8999 and we'll sort out a pick up time for you.

next

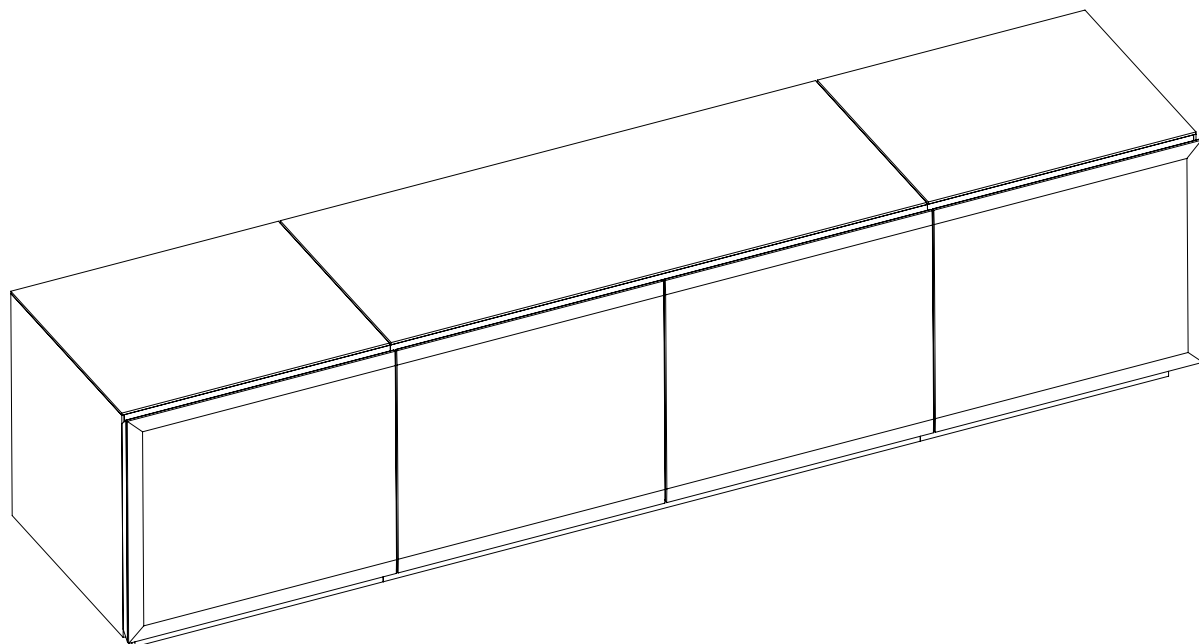
SLOANE SUPERWIDE TV UNIT

A28873

Assembly instructions

Actual product size

H44.5xW180xD41cm



Need Help?

With: Assembly instructions
Missing or damaged parts

CALL:0333 777 8999

IMPORTANT- RETAIN FOR FUTURE REFERENCE

BEFORE YOU START

Warnings

- We suggest you retain these instructions for future reference.
- Keep fittings out of children's reach and keep children well away from the construction area.
- This product should only be used on firm, level ground.
- For self-assembled products, please periodically check all fittings and re-tighten as necessary.
- Please do not sit or stand on your furniture.
- Avoid exposing the furniture to excessive heat or direct sunlight as this can cause deterioration of the colour.
- Unwrap all packaging materials and place the components on top of the carton box or on a clean floor to protect it from damage.

IMPORTANT INFORMATION

- This product contains Safety glass (also known as Toughened glass). If broken, it is designed to break safely and shatter into many small pieces rather than large shards.
- However, please note that the edges of these pieces can still be sharp, so care is needed when handling them.
- Safety glass is stronger than regular glass to better withstand the wear and tear of everyday use, but some basic precautions need to be taken to prolong its life:

DO:

- Always use a coaster or table mat to protect the glass from very hot or cold cups, glasses or plates etc.
- Take care when placing items on the glass surface so as not to damage it.
- Take particular care not to damage the edge of the glass surface - this type of damage can cause the whole panel to shatter.
- If you notice damage on the edge of the glass, contact a local glazier for advice.

DO NOT:

- Place heavy items on the glass surface.
- Position the unit near direct heat (e.g. in front of a radiator or other strong heat source) as this can cause internal stress in the glass and cause it to shatter.
- Use it as a chopping board.
- Strike the glass with hard or pointed objects.

CARE INSTRUCTIONS:

- To clean the glass, use a proprietary glass cleaner and a soft cloth. Do not use abrasive cleaners as they can damage the finish of the glass.

- If the glass will be in direct sunlight, ensure that drops of liquid etc are removed as they can focus the sun's light and cause damage to your furnishings.
- Sunlight reflecting from the glass surface can reflect onto other surfaces in your home, so if you have items likely to be affected by this, please ensure you position them accordingly, or shade the sunlight as required.

Number of people required to assemble

2 persons to assembly

Time to Assemble



30 minutes

Tools required



not supplied



not supplied

Missing parts

If you are missing any fixtures and fittings for your product please contact our customer service team on 0333 777 8999 and they will be happy to arrange for a replacement to be sent to you free of charge.

Home service technicians

If you have a fault with your product please contact our customer service team on 0333 777 8999. If you have had the product for 28 days or less you may be offered a replacement, refund or for a fully trained home service technician to visit your home to assess the fault and repair the product where possible. If you have had the product for more than 28 days we will send an independent home service technician to review and repair the product where possible and recommend further action.

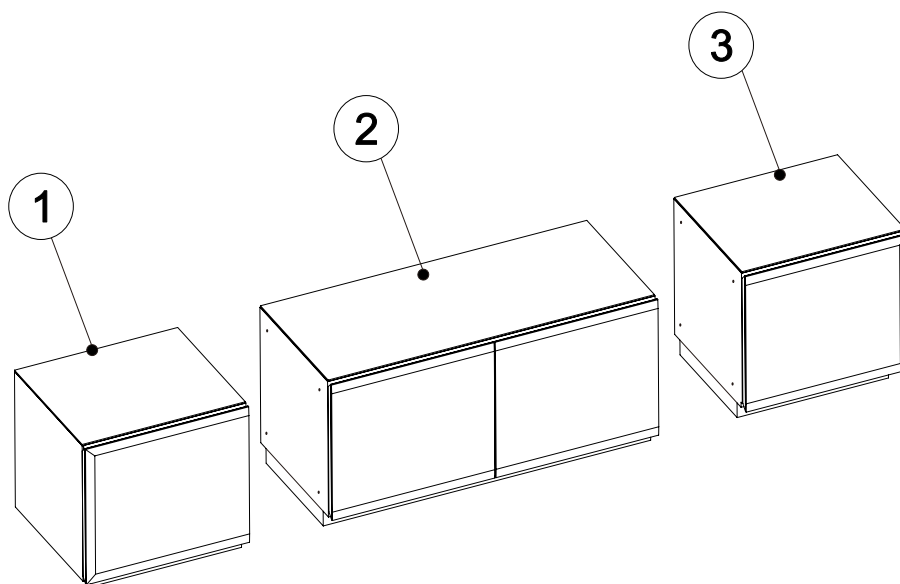
You can write to us at

Home Customer services
Next Retail Ltd,
Desford Road
Leicester
LE19 4AT

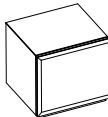
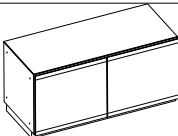
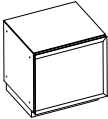
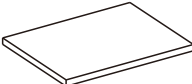
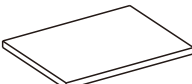
To view our full furniture range please visit
www.next.co.uk

PRODUCT SUPPLIED WITH WALL FIXING STRAPS

GETTING TO KNOW YOUR PRODUCT

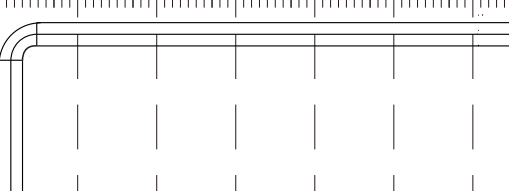
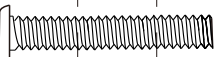
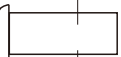
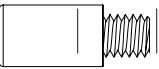


Component supplied

Ref	Dimensions	visual	Qty
1	45x41x44.5cm		1
2	90x41x44.5cm		1
3	45x41x44.5cm		1
4	38.2x41.4x1.5cm		2
5	38.2x42.5x1.5cm		2

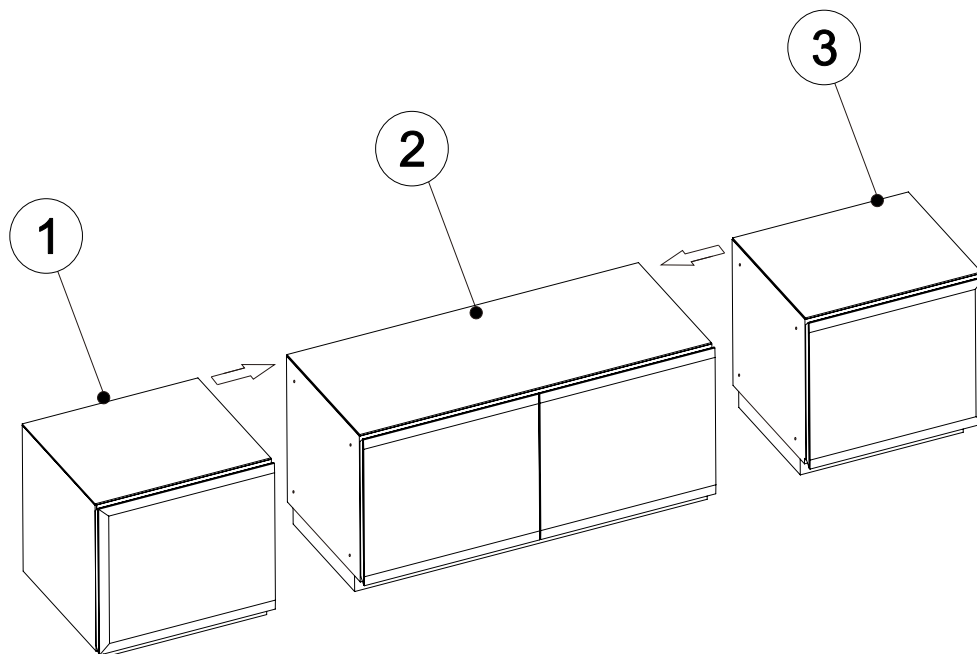
Fixture and Fittings supplied(actual size)

mm 10 20 30 40 50 60 70 80 90 100

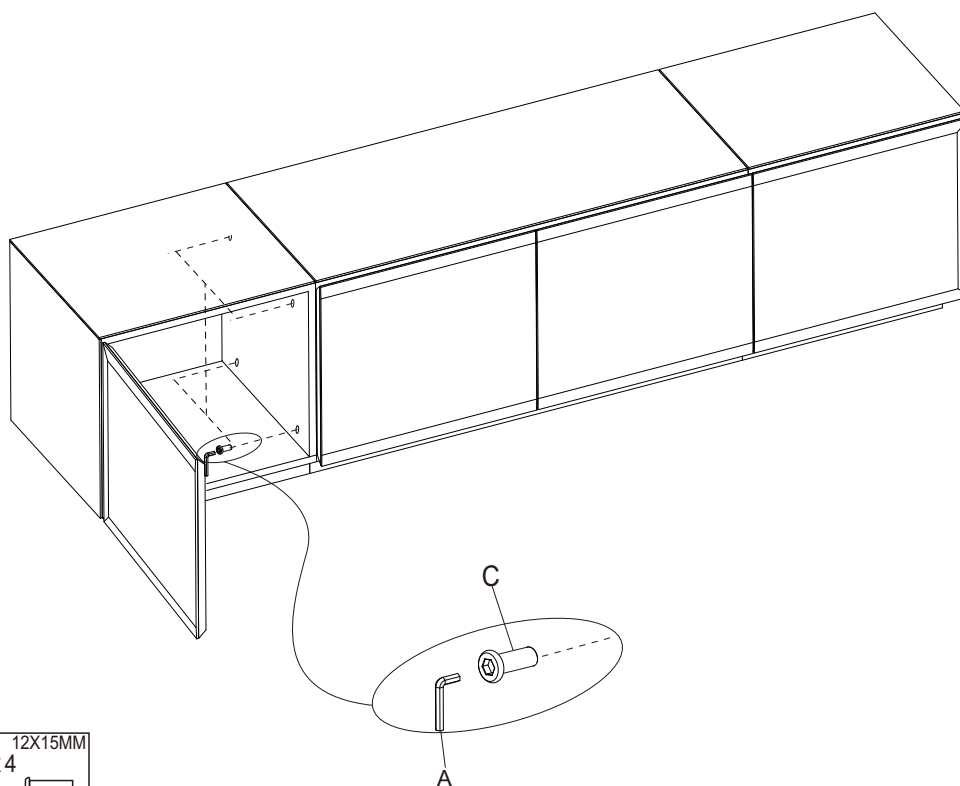
REF	DIMENSIONS	QTY	Spare Part *	
A	65X23MM	2	0	
B	12X27MM	8	1	
C	12X15MM	8	1	
D	8X19MM	16	2	

* Just to let you know we have included a small quantity of fixings in case of mishap, so don't worry if you've got a few left when you've finished.

1

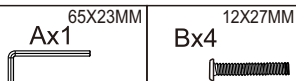
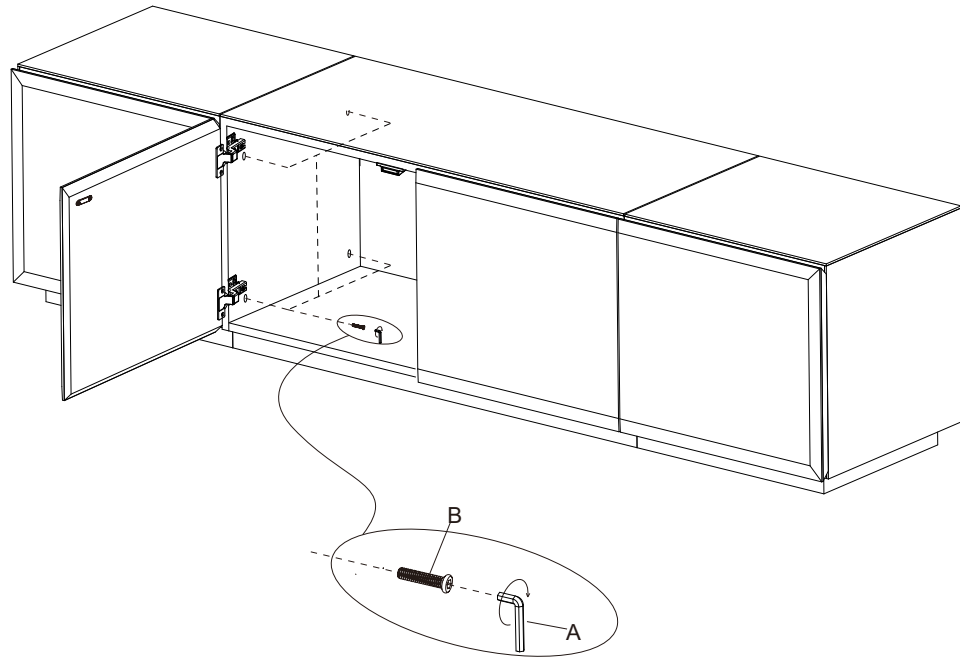


2

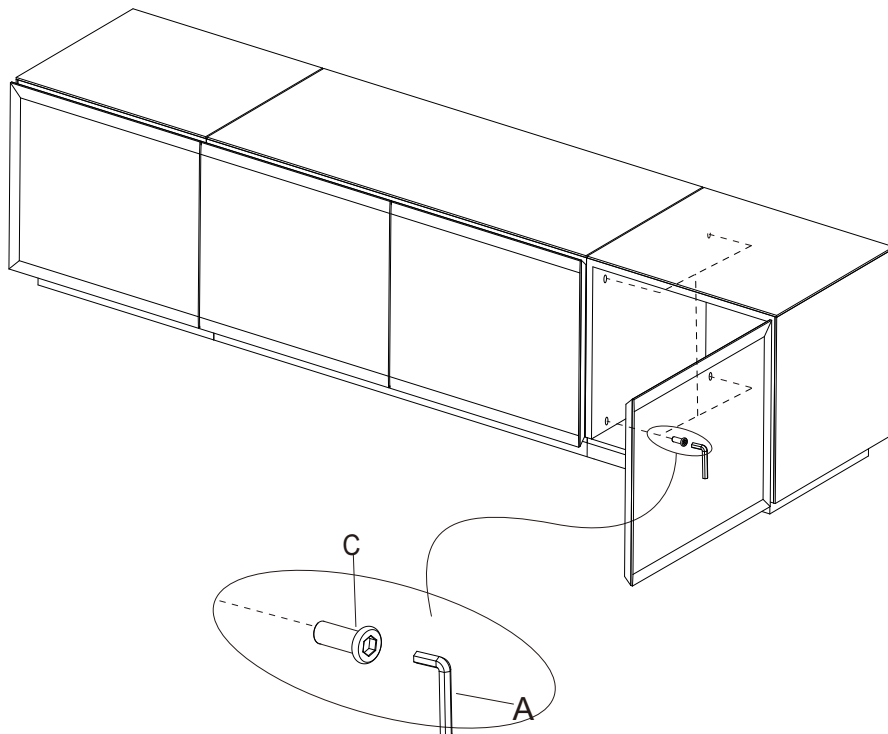


 Ax1	 C x4
65X23MM	12X15MM

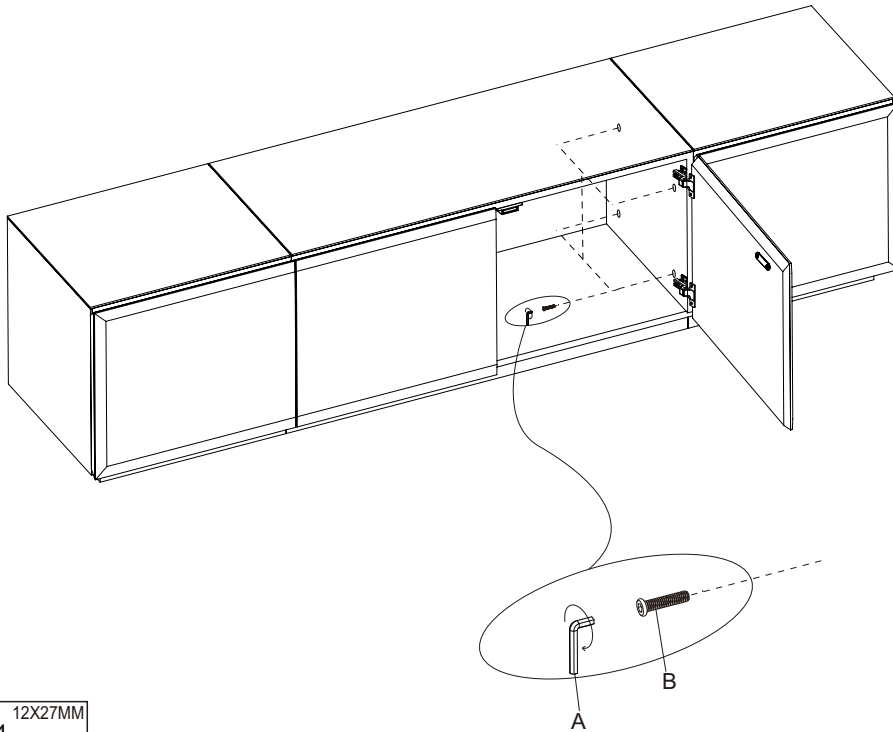
3



4



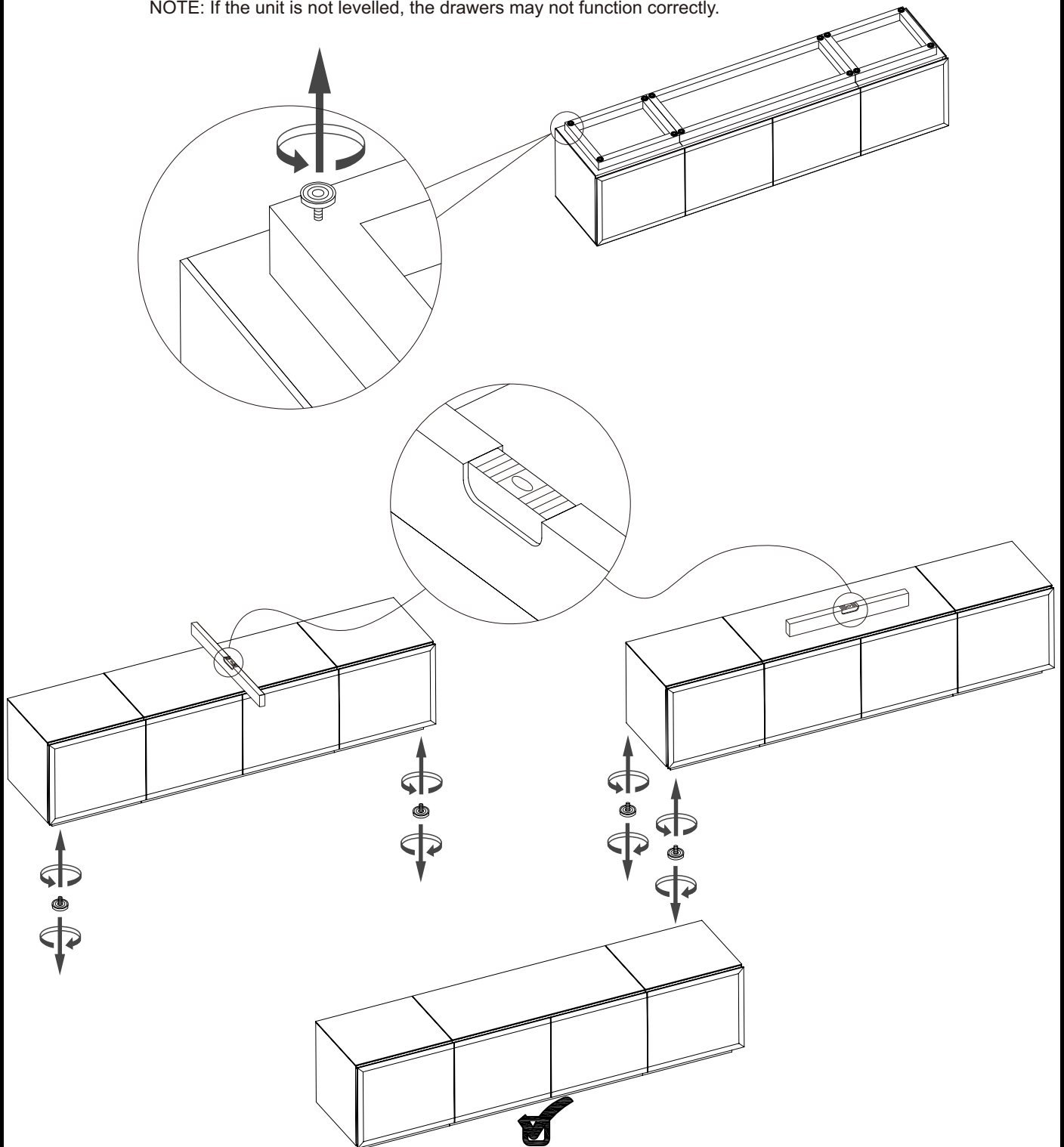
5



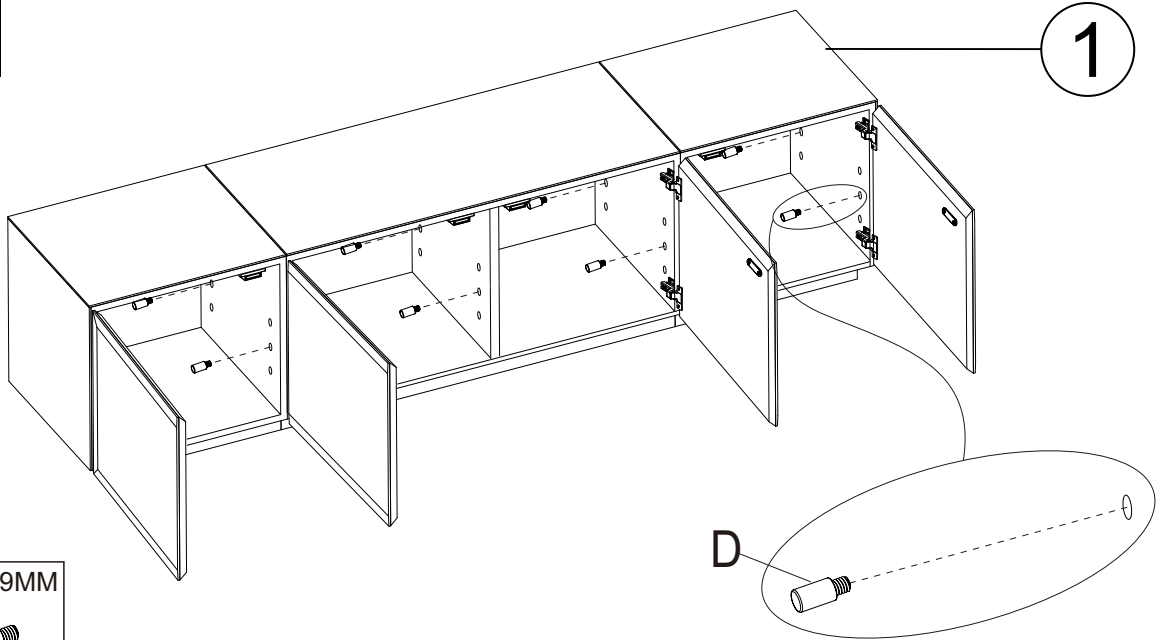
6

If your floor is not level, the feet on the unit should be adjusted to prevent it from rocking. Place the unit in its final position and unscrew any feet that are not in full contact with the floor. The unit should then be checked for level in left-right and front-back directions with a spirit level and further adjustments made as required.


NOTE: If the unit is not levelled, the drawers may not function correctly.



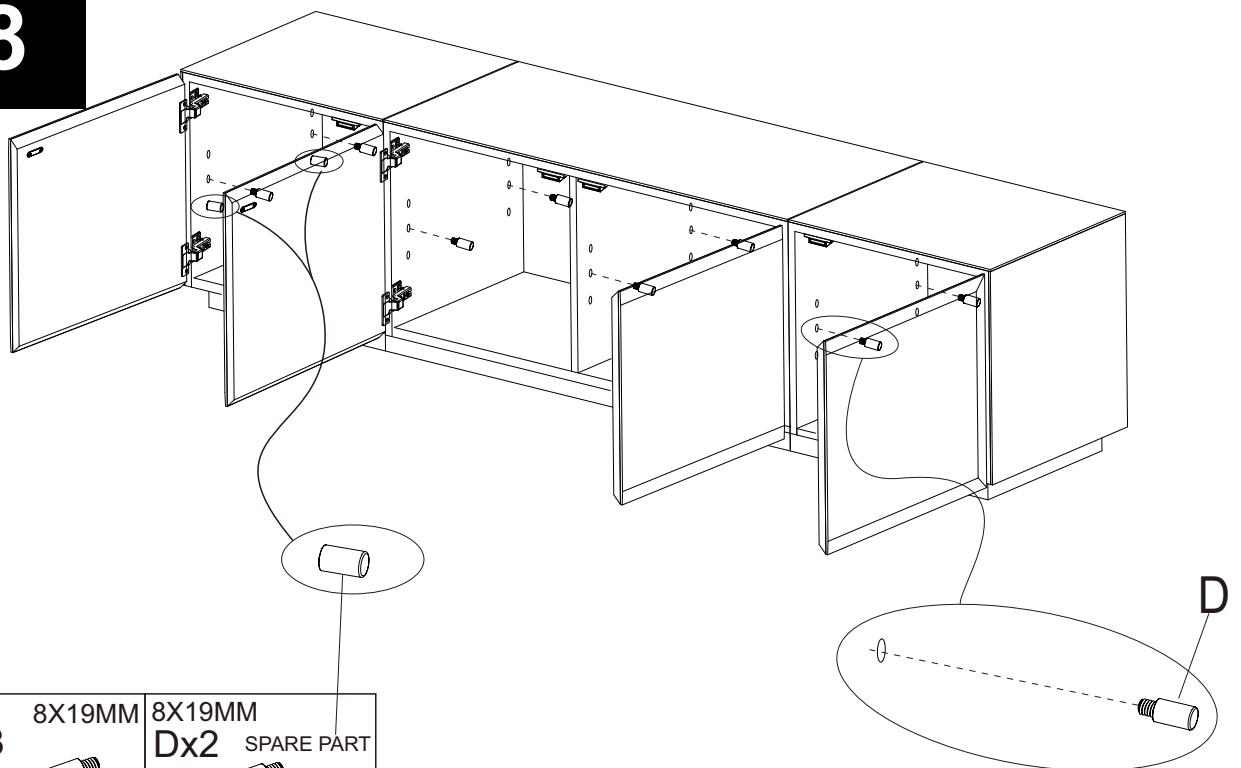
7





Dx8 8X19MM



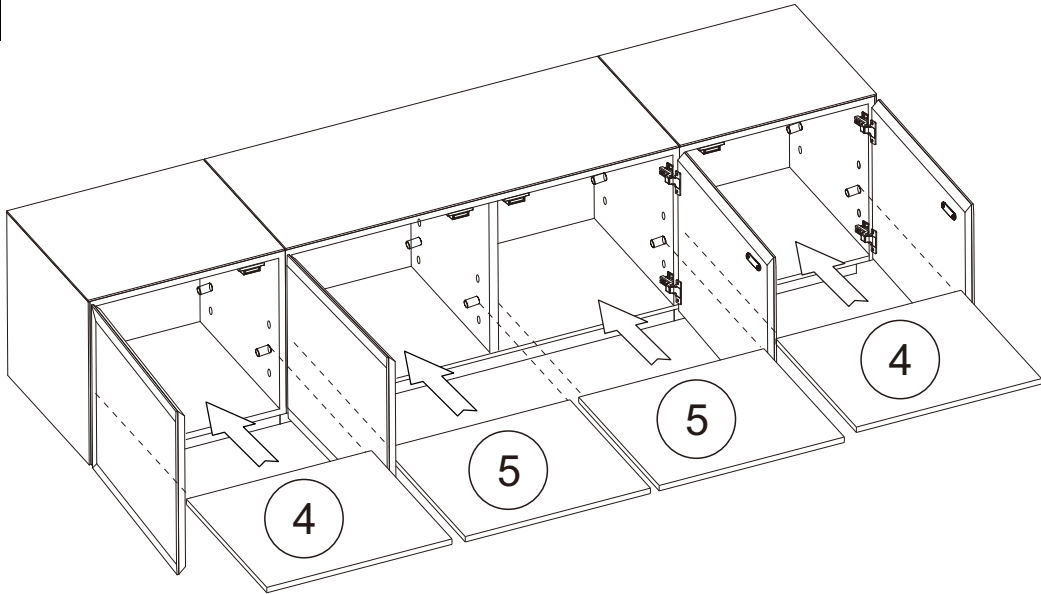
8



Dx8 8X19MM 8X19MM
Dx2 SPARE PART



9

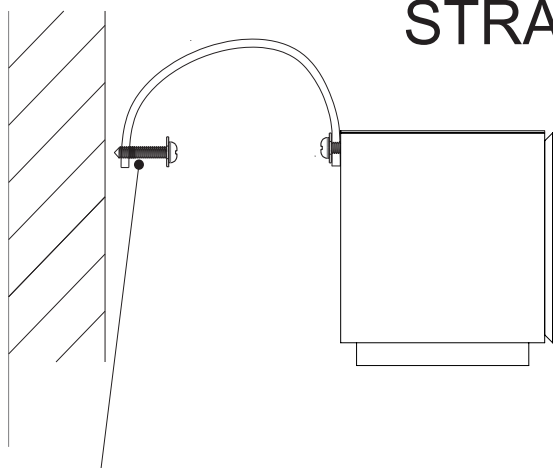
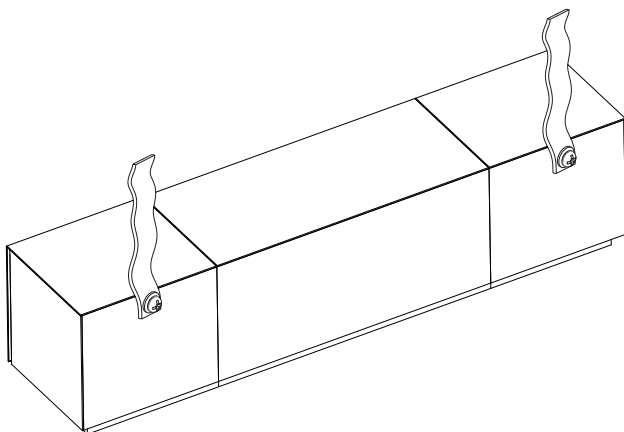


10

WARNING: Always ensure the wall to be drilled is free from hidden electrical wires, water and gas pipes. We recommend the use of the wall strap provided for safety reasons. Wall fixing are not included please source suitable fixing for your wall type. If in doubt, please consult a qualified tradesperson.

WALL

STRAP



SCREW

next

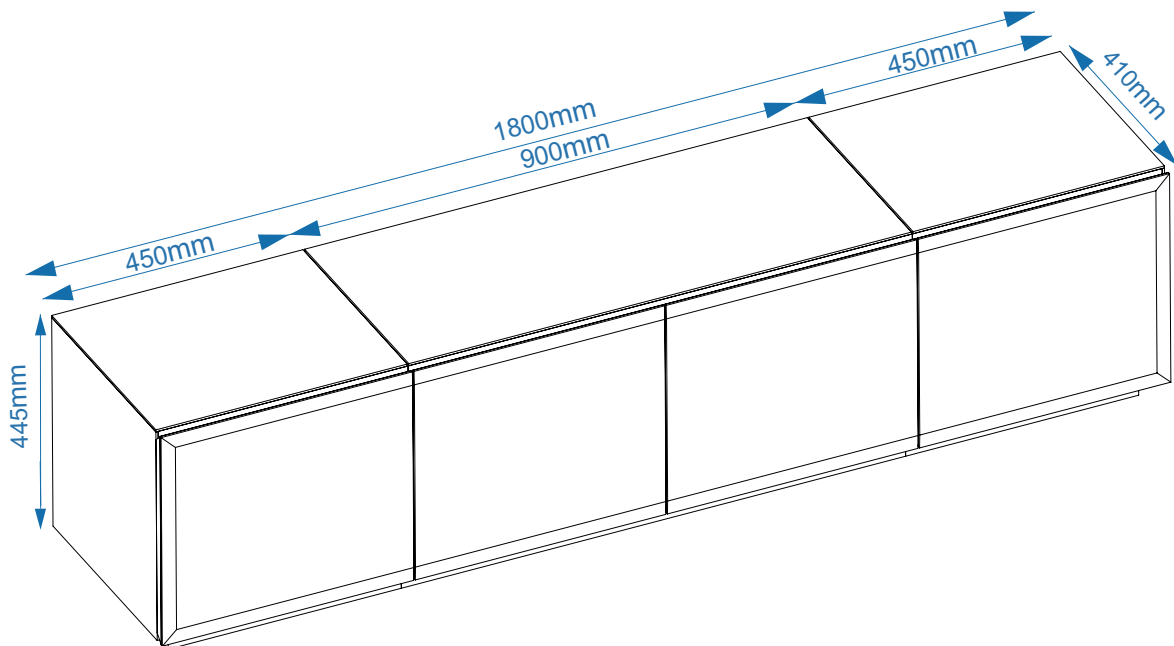
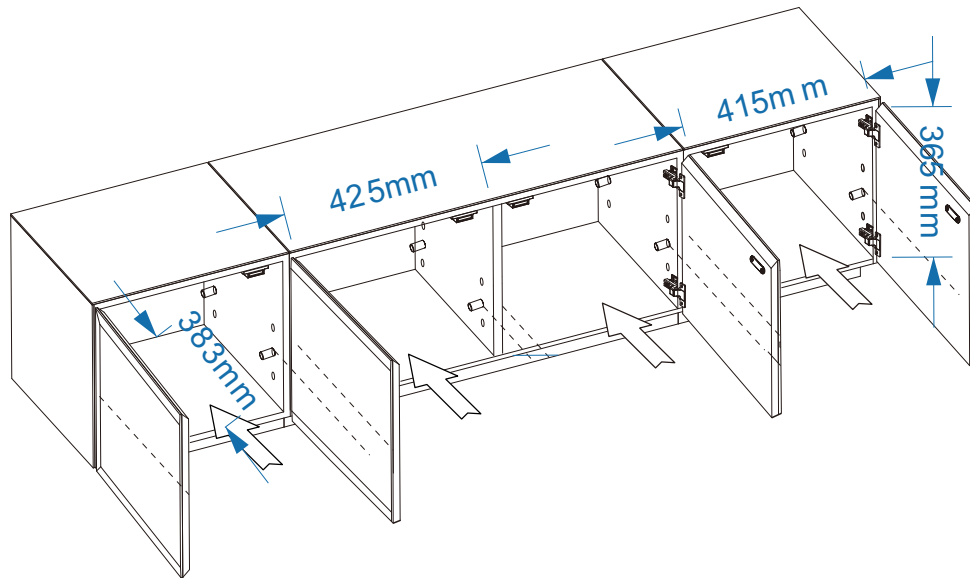
SLOANE SUPERWIDE TV UNIT

A28873

Assembly instructions

Actual product size

H44.5xW180xD41cm



Produced in China for Next Retail Ltd.

A28873-2021-V1