

# NEXT

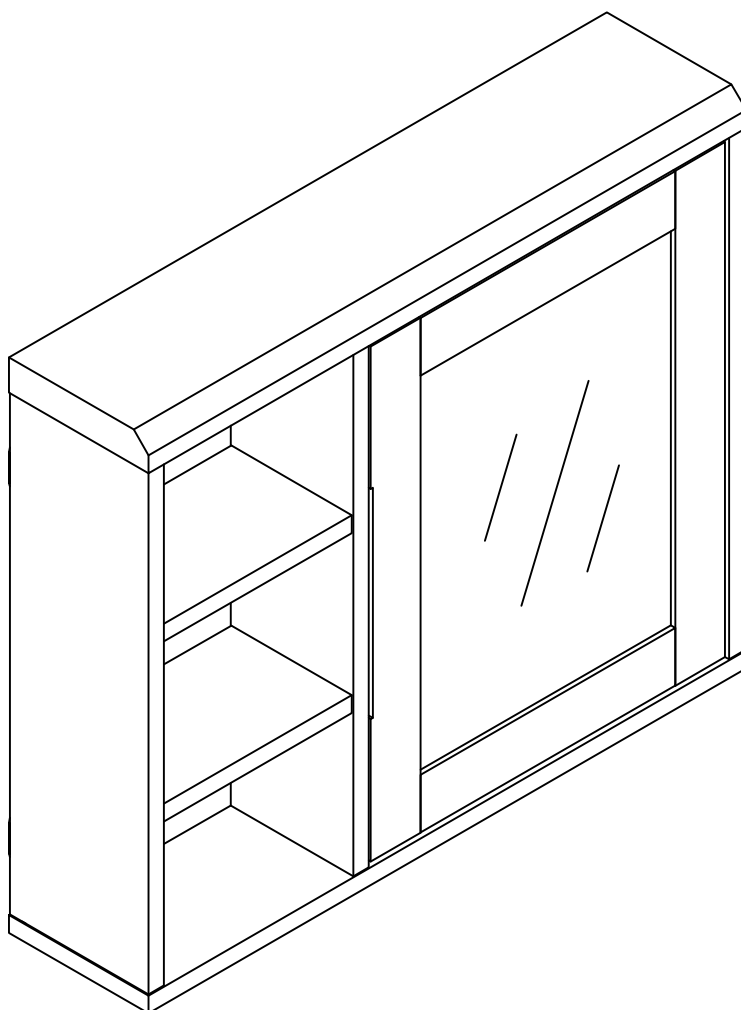
## GREY BRONX CABINET

A31559

Assembly instructions

**Actual product size**

H50 x W60x D14cm



**IMPORTANT !  
RETAIN FOR FUTURE REFERENCE**

**Need Help ?**

With: Assembly instruction  
Missing or damaged parts

**CALL: 0333 777 8999**

### BEFORE YOU START

#### Number of people required to assemble

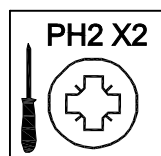
Two people are required to assemble this item



**Time to assemble : 30 minutes**



#### Tools required



not supplied

#### Do's

We suggest you spend a short time reading through this leaflet before you start.

When you are ready to start, make sure that you have the right tools and plenty of space.

Unwrap all packaging materials and place the components on a clean surface to protect it from damage, We recommend that the packaging is used to protect the surfaces during assembly.

Carefully check that you have all the parts before beginning assembly.

Due to the size of this product we recommend that it is assembled in the room intended for use.

Ensure the product is fully assembled as illustrated and all fixings fully tightened before use.

Wipe occasionally with a soft cloth slightly dampened with water. Then buff with a dry clean soft cloth.

#### Don'ts

Do not drag or pull your furniture.

Do not rub or scrub the surface when cleaning.

Do not use silicone based furniture polish. Silicone in furniture polishes can break down the finish.

Never allow any kind of liquid to remain on your furniture.

Absorption can cause wood to warp or finishes to de-laminate.

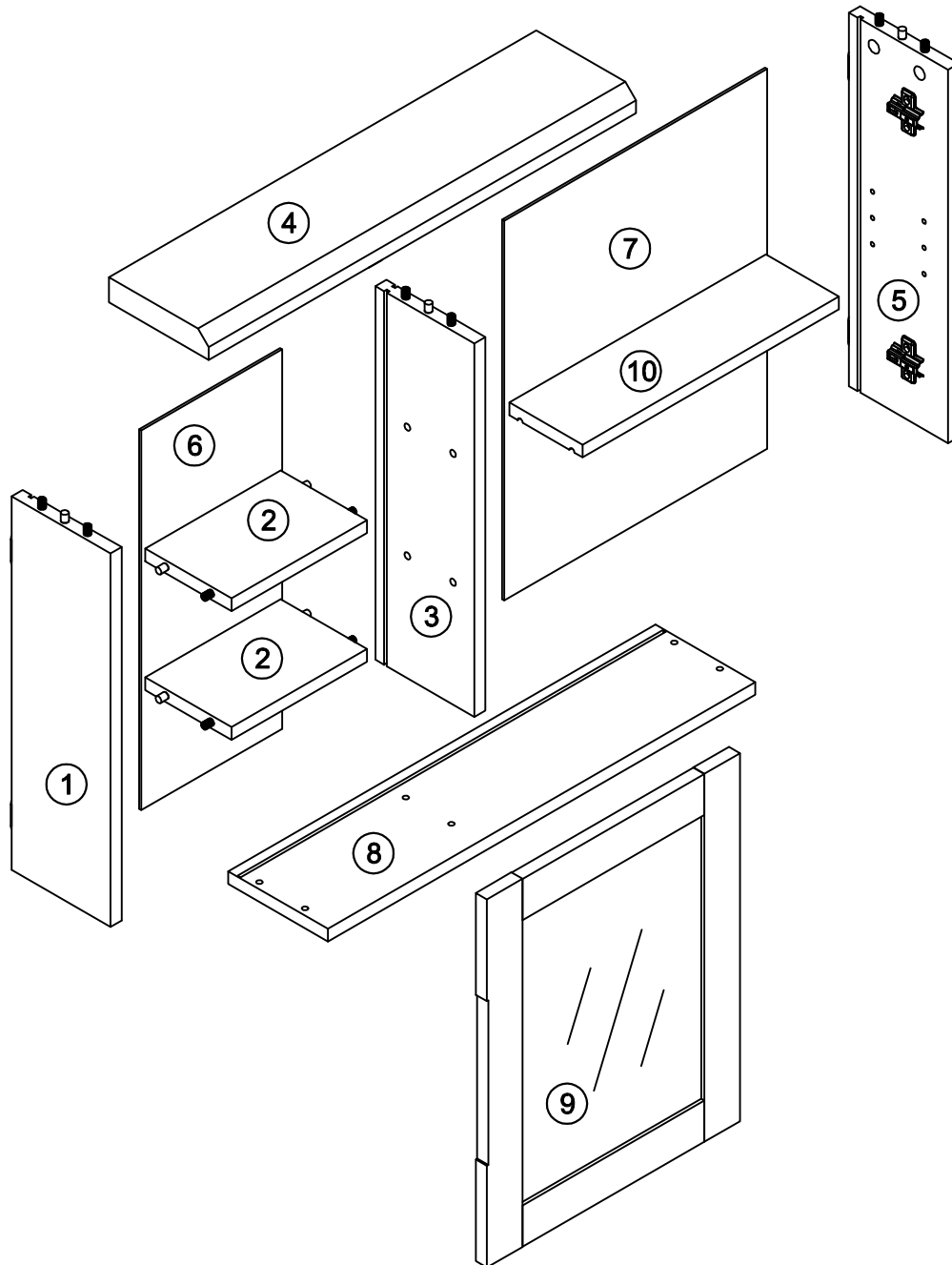
# NEXT

## GREY BRONX CABINET

A31559

Assembly instructions

### GETTING TO KNOW YOUR PRODUCT



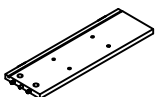

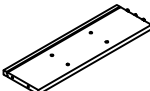
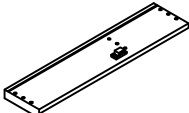
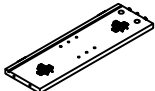
# NEXT

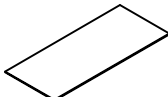
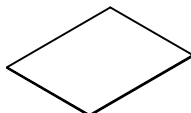
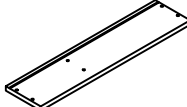
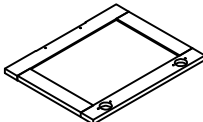

## GREY BRONX CABINET

A31559

Assembly instructions

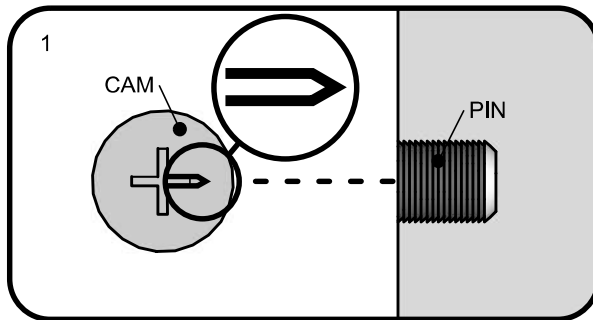
Components supplied. Please use this guide if you require replacement parts.

Ref	Dimensions	Visual	Qty	Ctn
1	14x45.5cm		1	1
2	12x19cm		2	1
3	14x45.5cm		1	1
4	14x60cm		1	1
5	14x45.5cm		1	1

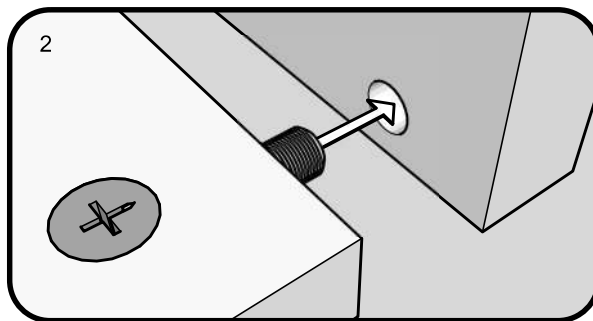
Ref	Dimensions	Visual	Qty	Ctn
6	20x46cm		1	1
7	37x46cm		1	1
8	14x60cm		1	1
9	35.5x44.5cm		1	1
10	10.5x36cm		1	1

NEXT

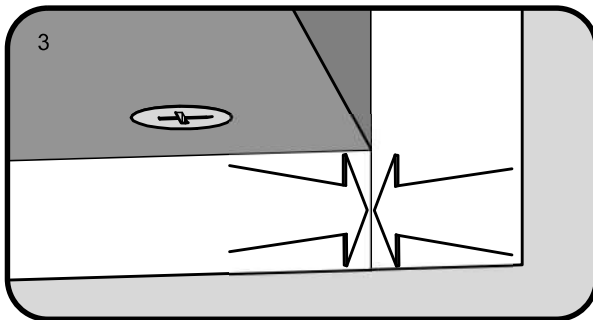
## TITUS TIGHTENING INSTRUCTIONS



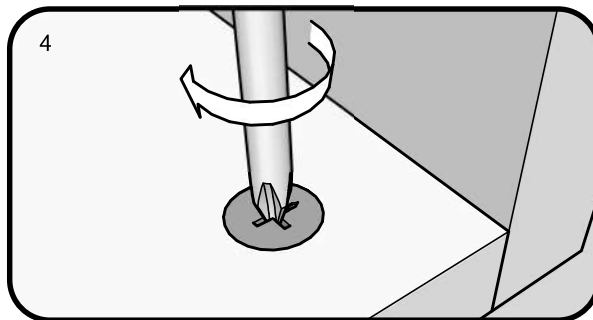
Line up the arrow on the CAM with the PIN.



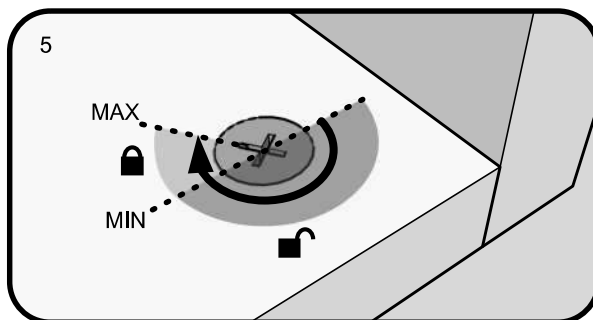
Push the pins into the holes in the panel to be joined.



Make sure there is no gap between the panels.



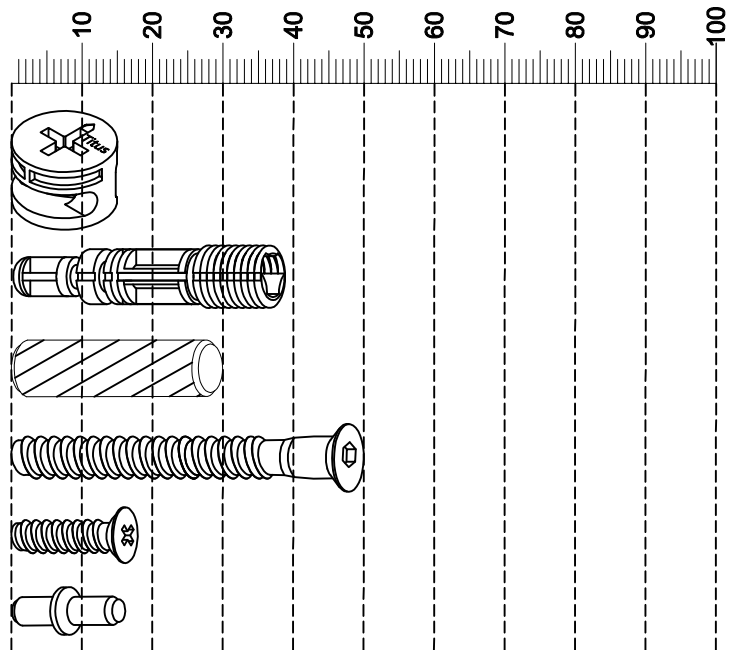
Use a cross-point screwdriver (PH2 or PZ2 is ideal) to tighten the cams and lock the panels together.



The panels are locked when each cam is turned to between 1/2 and 2/3 of a full turn (Maximum rotation)

#### Fixtures and fittings supplied (actual size)

Ref	Dimensions	Qty	Spare Qty
B3	Ø15 x 12mm	10 pre assembled	2
B8	Ø8 x 38mm	10 pre assembled	2
D6	Ø8 x 30mm	7 pre assembled	1
Y8	Ø6 x 50mm	6	1
U139	Ø4.5 x 15mm	4	1
P3	Ø5 x 16mm	4	1



#### Fixtures and fittings supplied ( not to scale)

Ref	Dimensions	Qty	Spare Qty	Visual
13	47*60cm	1	N/A	
T1	N/A	1	N/A	
C11	N/A	2	N/A	

#### Fixtures and fittings supplied ( not to scale)

Ref	Dimensions	Qty	Spare Qty	Visual
O1	Ø21	10	2	
T38	N/A	6	1	
E39	N/A	1	N/A	

We strongly recommend that a professional who has experience of fitting such items should install large mirrors.

Mirrors are heavy objects and your safety is dependent on the construction/strength of the wall to which it is attached.

We recommend that the following methods are used to hang the mirrored cabinet.

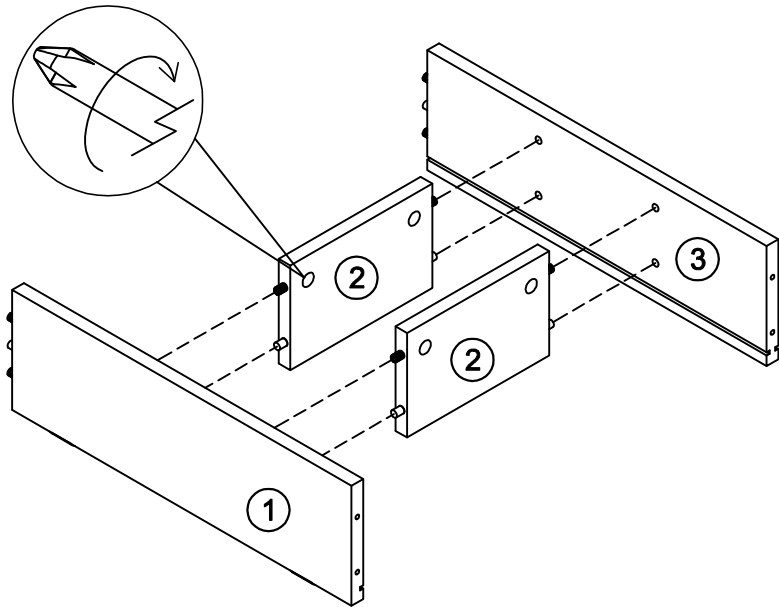
#### SCREWS & WALL PLUGS ARE NOT INCLUDED

Please ensure these are suitable for your wall type and weight of the product if unsure, please seek professional help.

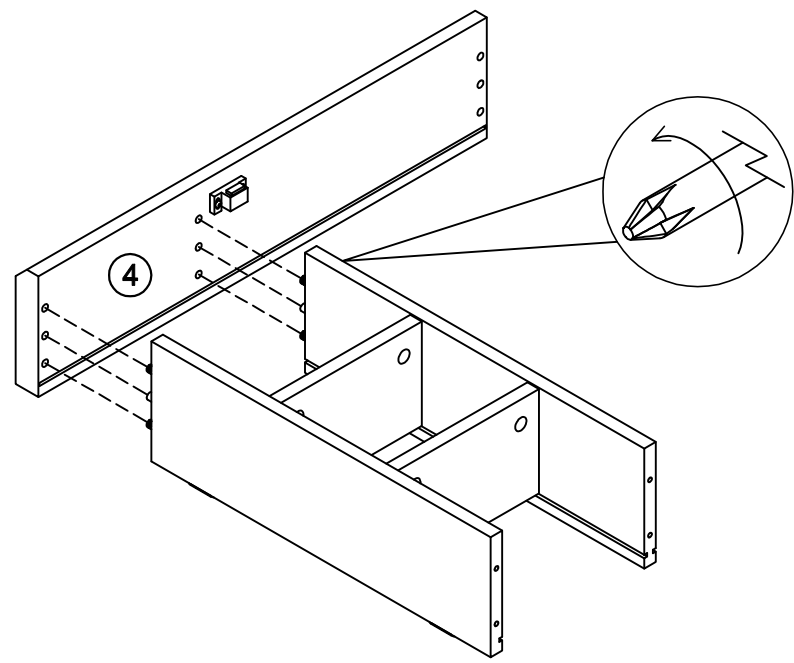
# NEXT GREY BRONX CABINET

A31559  
Assembly instructions

1



2



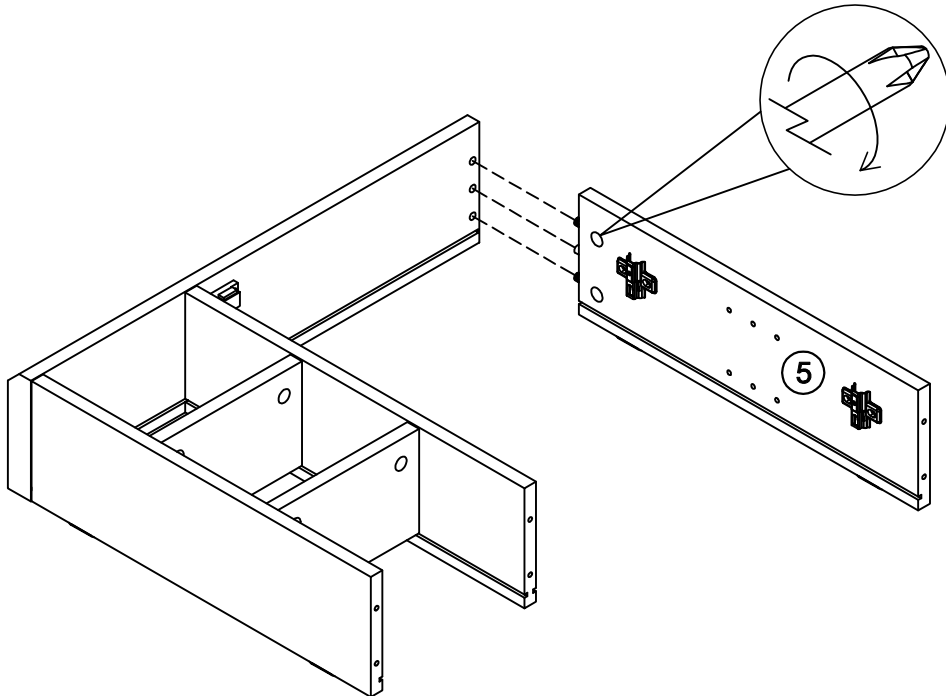
# NEXT

## GREY BRONX CABINET

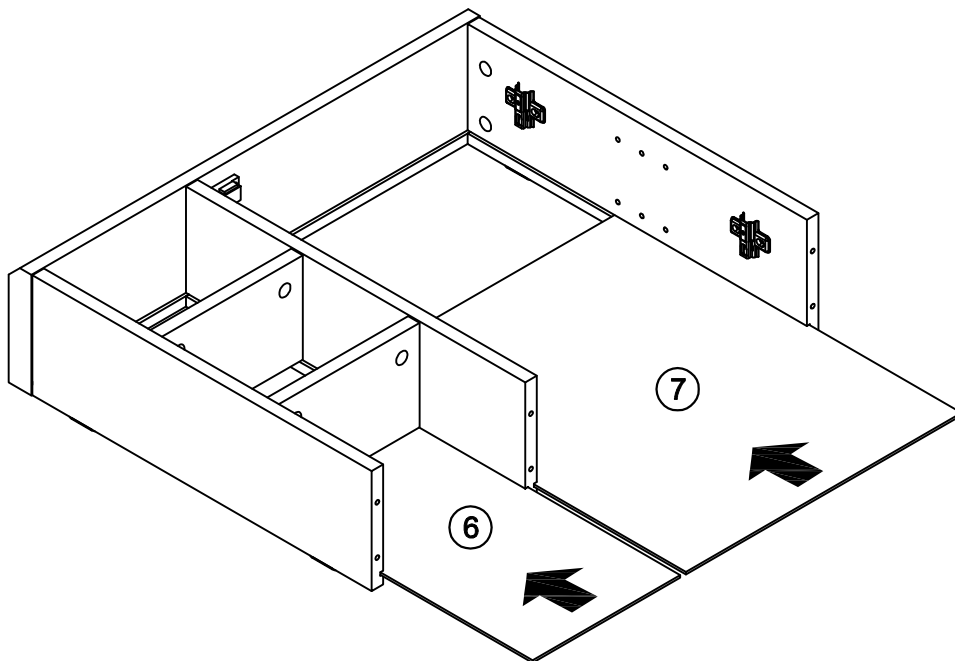
A31559

Assembly instructions

3



4





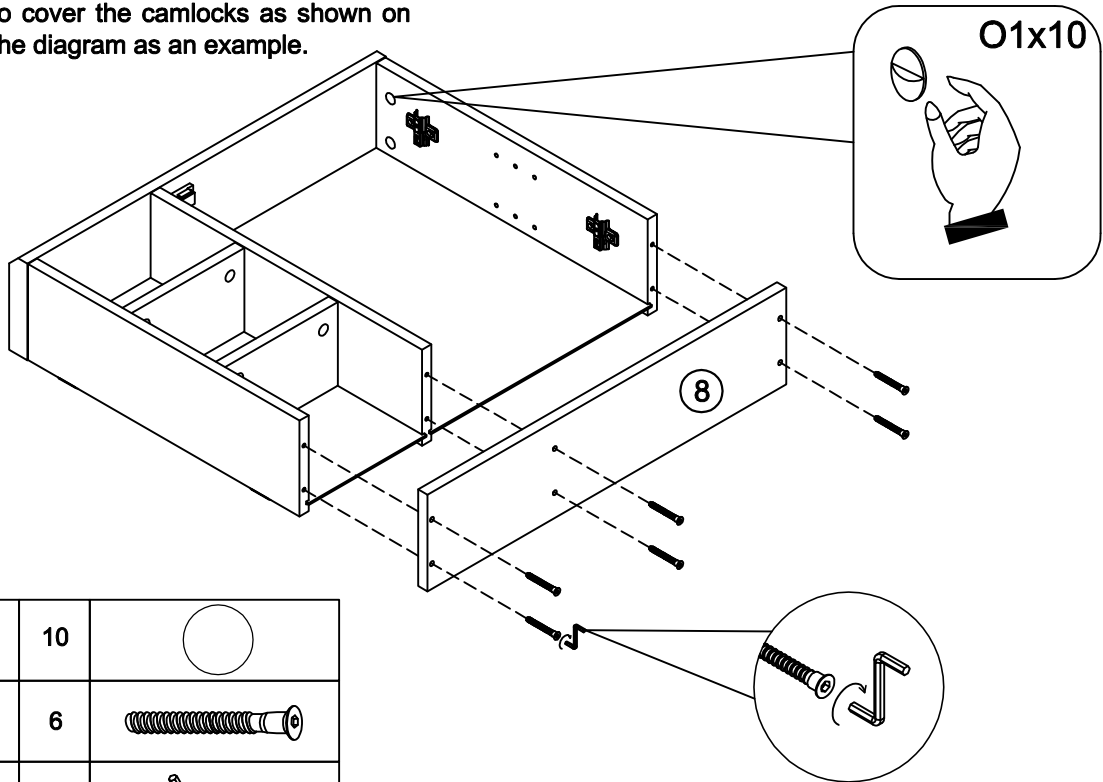
# NEXT GREY BRONX CABINET

A31559

## Assembly instructions

5

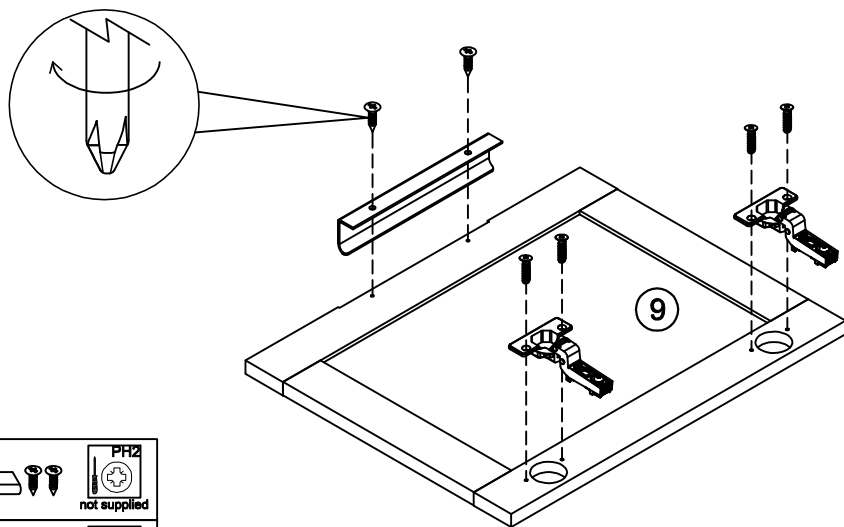
Please apply the stickers provided to cover the camlocks as shown on the diagram as an example.



O1	Ø21	10	
Y8	Ø6 x 50mm	6	
T1	N/A	1	

6

To protect the mirror please place the door panel onto a carpet or a soft surface to avoid damaging the mirror.



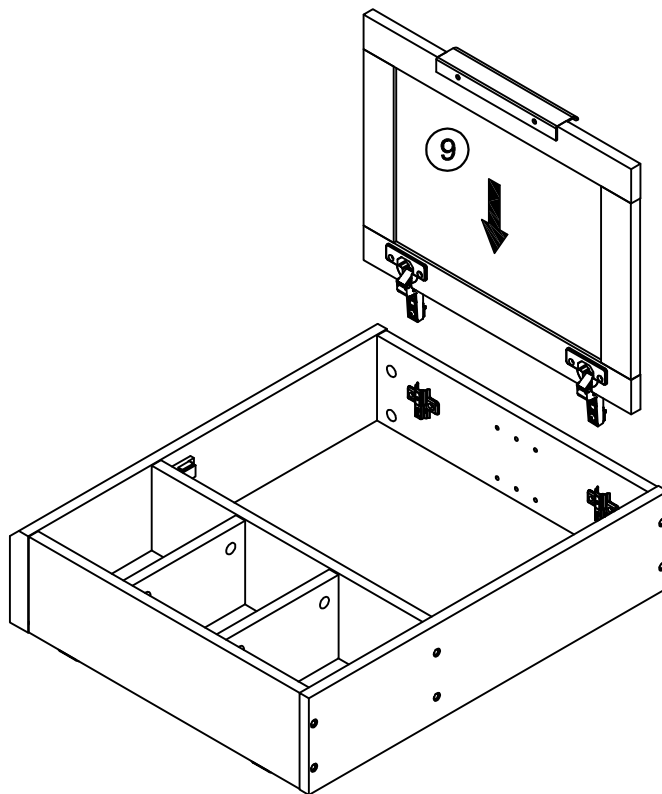
E39	N/A	1	not supplied
U139	Ø4.5 x 15mm	4	not supplied
C11	N/A	2	

# NEXT GREY BRONX CABINET

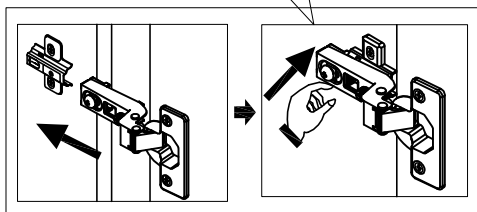
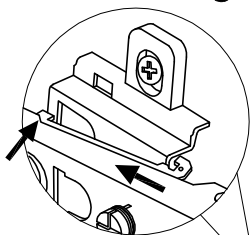
A31559  
Assembly instructions

7

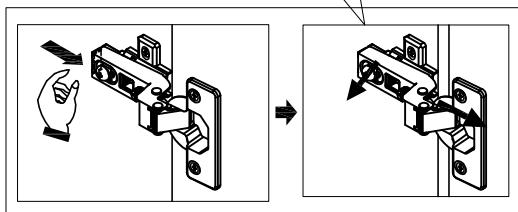
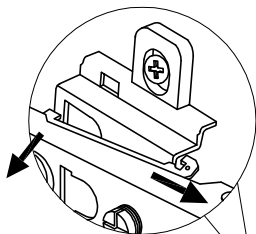
To align the door, please adjust the hinges as shown below.



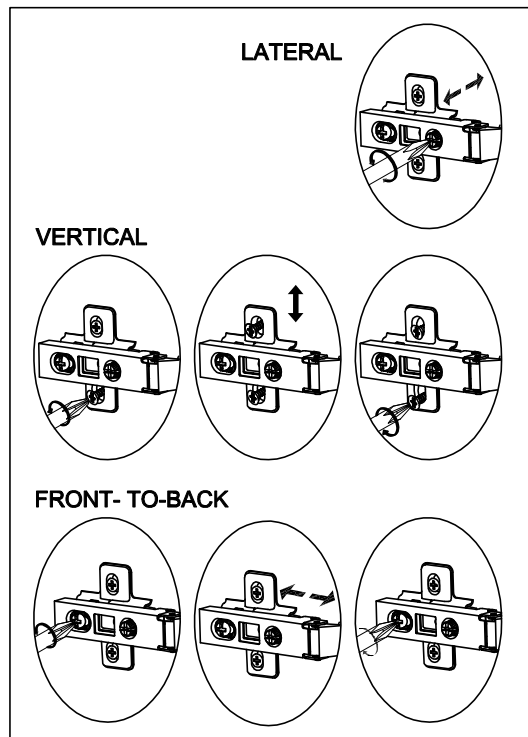
### Install hinge



### Remove hinge



### Adjust Hinge Position



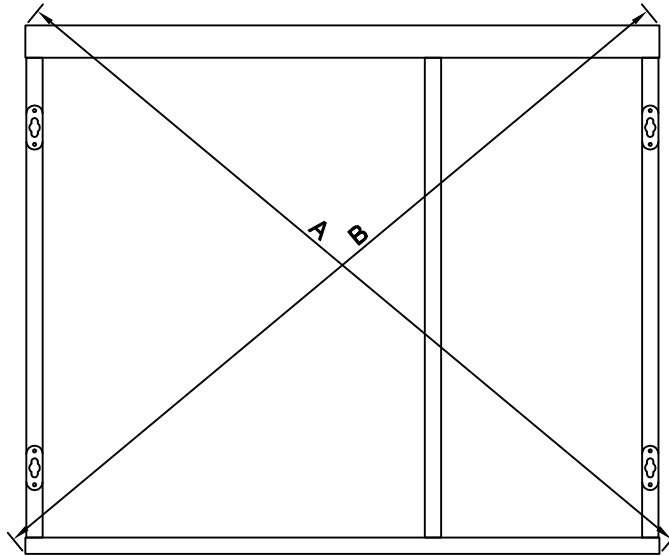
# NEXT

## GREY BRONX CABINET

A31559

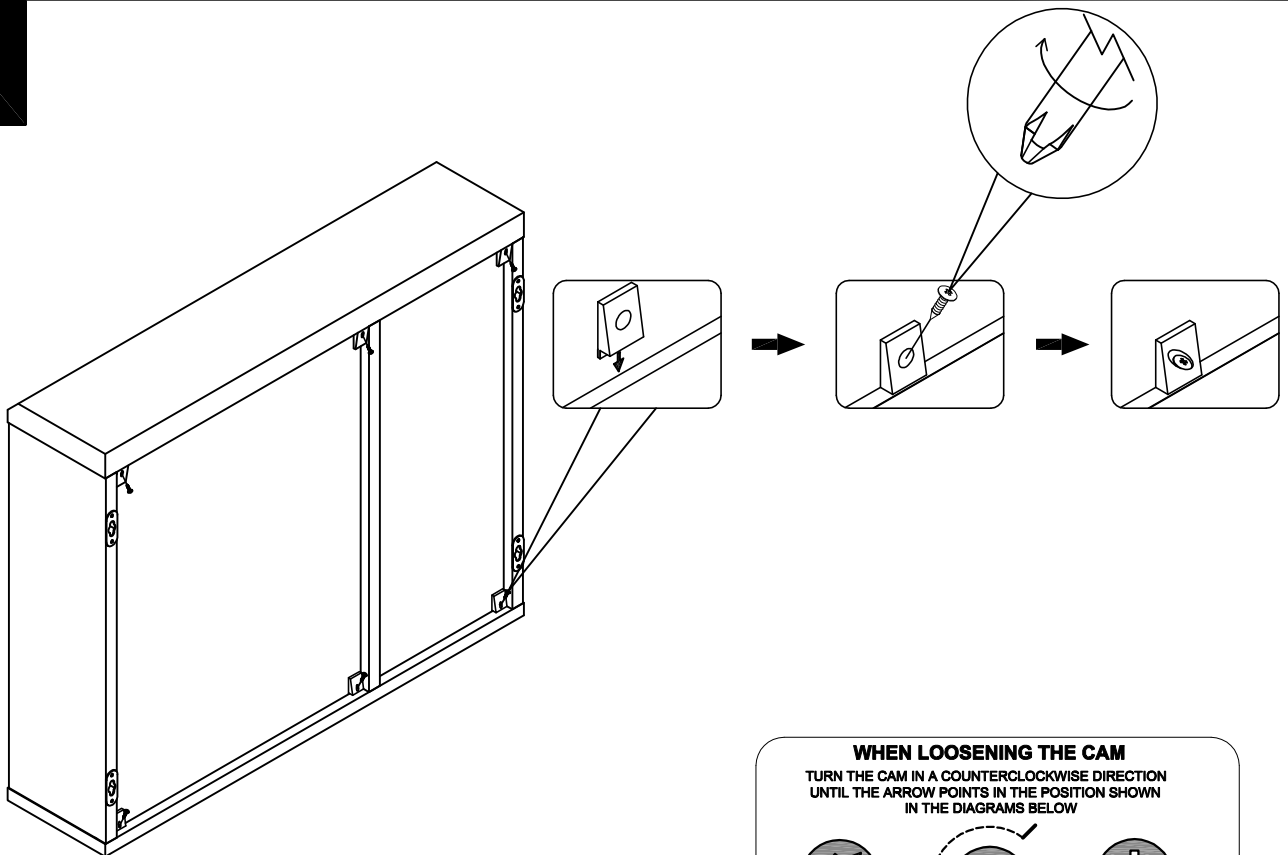
Assembly instructions

8



A=B

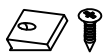
9



T38

N/A

6

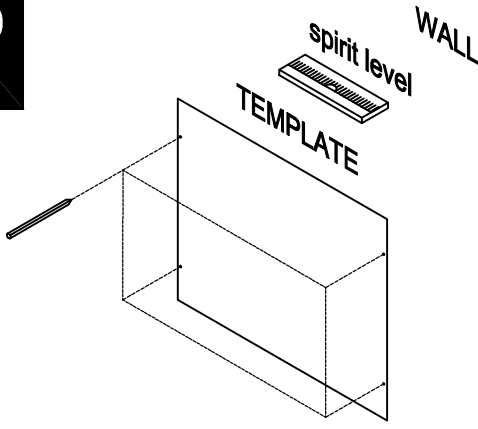


not supplied

# NEXT GREY BRONX CABINET

A31559  
Assembly instructions


**10**



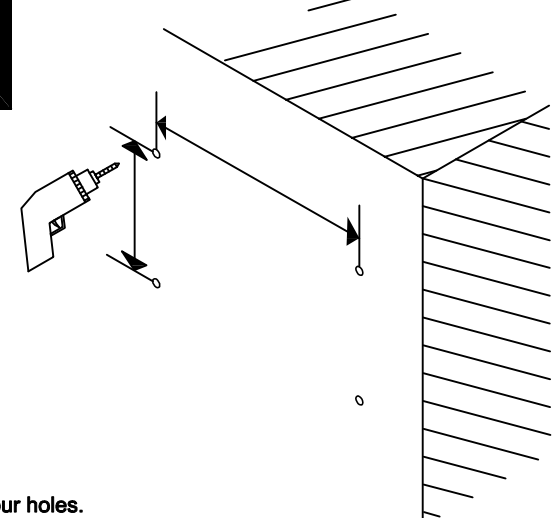
Please use the template provided to mark on the wall the position of the fixing.

NB: Place the template over the back of the mirror to ensure that the holes match the position of the hooks before drilling into your wall.

Use a spirit level to check that the fixings are level.

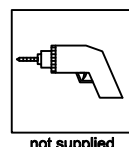


**11**

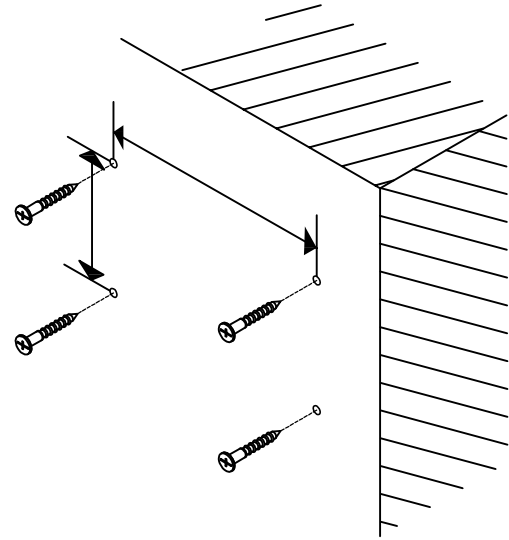


Drill four holes.

Warning: Always ensure wall area to be drilled is free from hidden electrical wires, water and gas pipes.



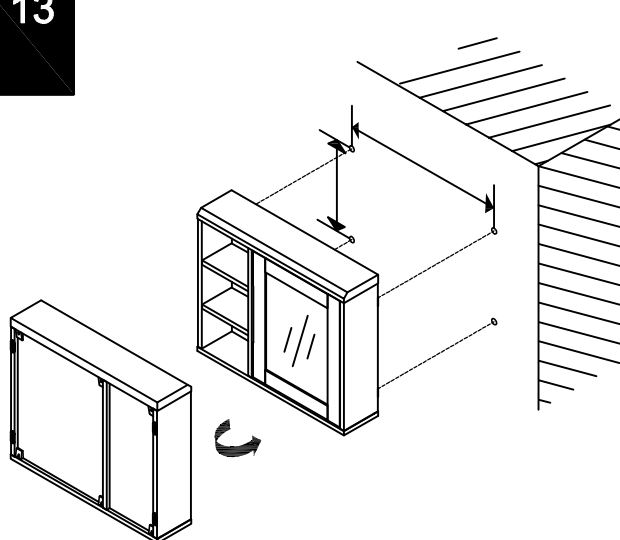
**12**



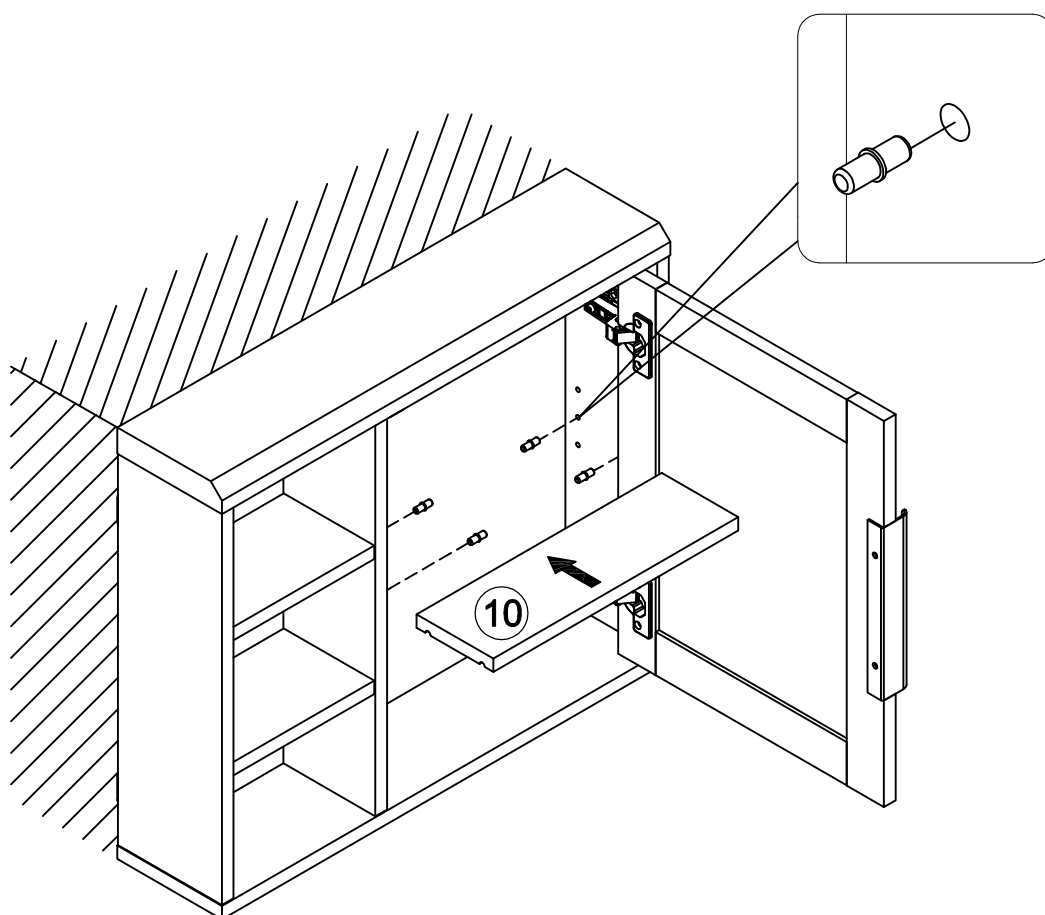
Insert an appropriate wall plug into each hole.  
Insert the screws and tighten, leaving the screw head exposed by 1/4 inch(6mm)

NB: Wall fixings are not included.  
Please source suitable fixings for your wall type. If in doubt please consult a qualified trades person.

**13**



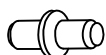
14



P3

Ø5 x 16mm

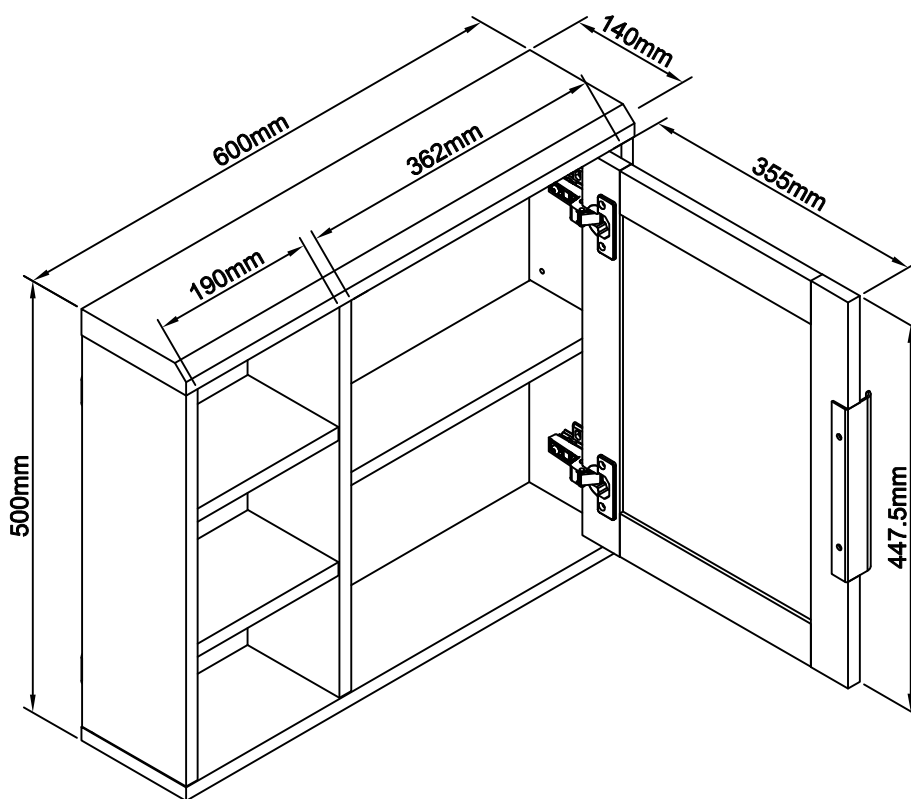
4



# NEXT GREY BRONX CABINET

A31559

Actual product size  
H50 x W60 x D14cm



# NEXT GREY BRONX CABINET

A31559

## Warnings

We suggest you retain these instructions for future reference.

Keep fittings out of children's reach and keep children well away from construction area.

Please periodically check all fittings and re-tighten as necessary.

Please do not sit or stand on your furniture.

Avoid exposing the furniture to excessive heat or direct sunlight as this can cause deterioration of the colour.

Unwrap all packaging materials and place the components on top of the carton box or on a clean floor to protect it from damage

Name and Address: NEXT RETAIL LTD. LE19 4AT  
Identification and model Number: A31559 GREY BRONX CABINET  
Date of Manufacture:  
Contract number:  
Nominal thickness of Glass: 4mm, Annealed glass  
Country of Origin: China

If a glass component is chipped or broken replace with glass of the type described on this label. Consult with the retailer with regard to obtaining a manufacturing specification and shape for replacement glass quoting the model number, batch number and date of manufacture.

## Missing parts

If you are missing any fixtures and fittings for your product. Please contact our customer service team on 0333 777 8999 and they will be happy to arrange for a replacement to be sent to you free of charge.

## Home service technicians

If you have a fault with your product, please contact our customer service team on 0333 777 8999. If you have had the product for 28 days or less you may be offered a replacement, refund or for a fully trained home service technician to visit your home to assess the fault and repair the product where possible. If you have had the product for more than 28 days we will send an independent home service technician to review and repair the product where possible and recommend further action.

## You can write to us at

Home Customer Services  
Next Retail Ltd.  
Desford Road,  
Leicester,  
LE19 4AT

To view our full furniture range please visit [www.next.co.uk](http://www.next.co.uk)