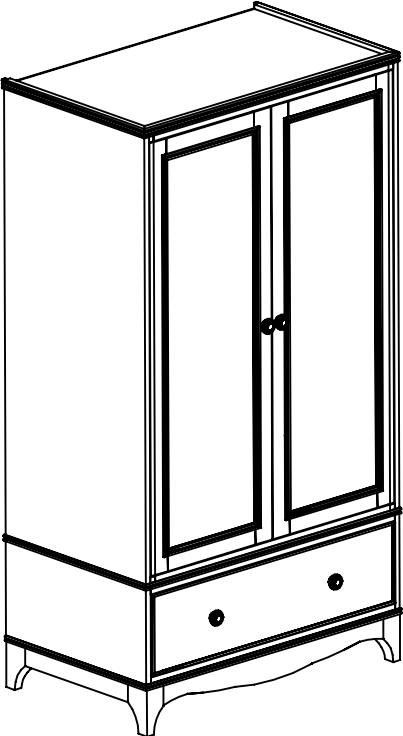


BROUGHTON DARK WARDROBE

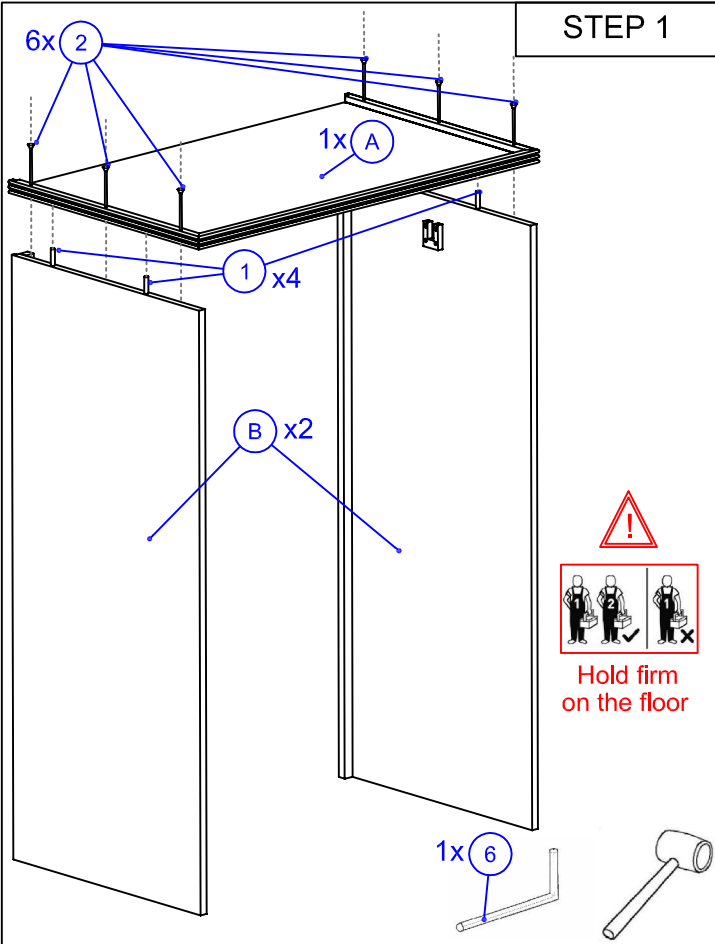


Exploded view diagram of the wardrobe assembly. The diagram is divided into three sections:

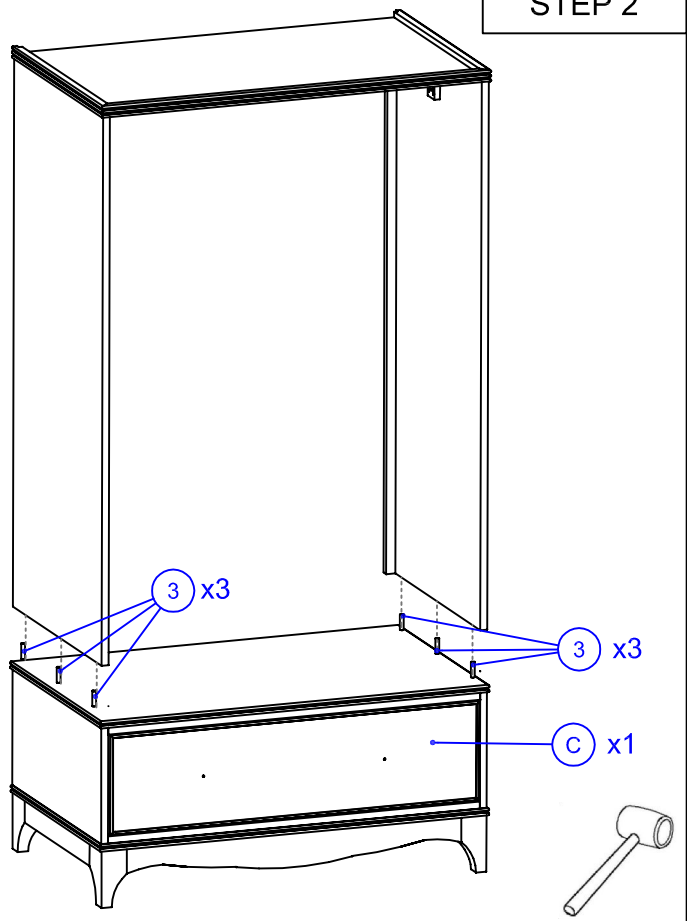
- Top Section:** Shows the top panel (A) x1, a long thin trim piece (F) x1, and a door panel (B) x2.
- Middle Section:** Lists hardware: 4 small pins (1) x4, 9 screws (2) x9, 6 pins (3) x6, 8 screws (4) x8, 3 screws (5) x3, 1 L-shaped bracket (6) x1, 4 washers (7) x4, 4 screws (8) x4, and 18 screws (9) x18.
- Bottom Section:** Shows the base unit (C) x1, a door frame (D) x1, and a door panel (E) x1.

Page numbers 1/3, 2/3, and 3/3 are located in the bottom right of each section.

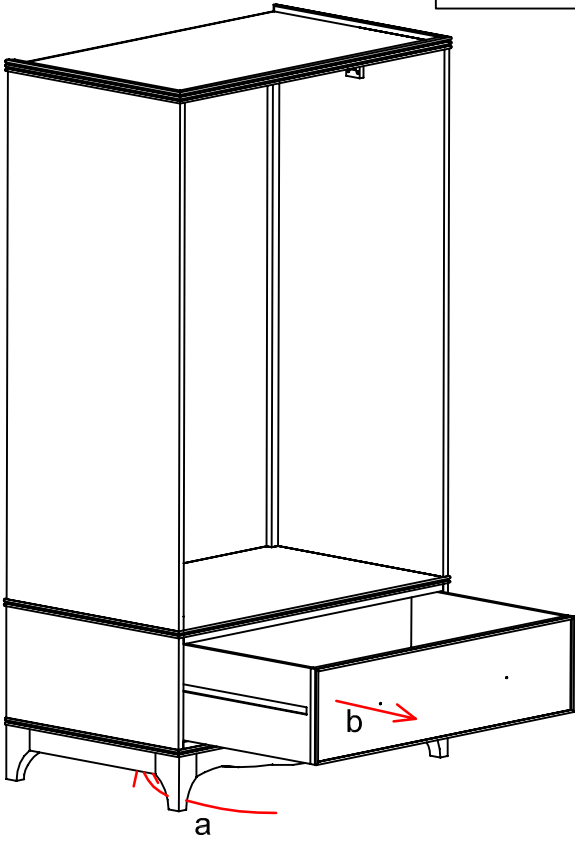
STEP 1



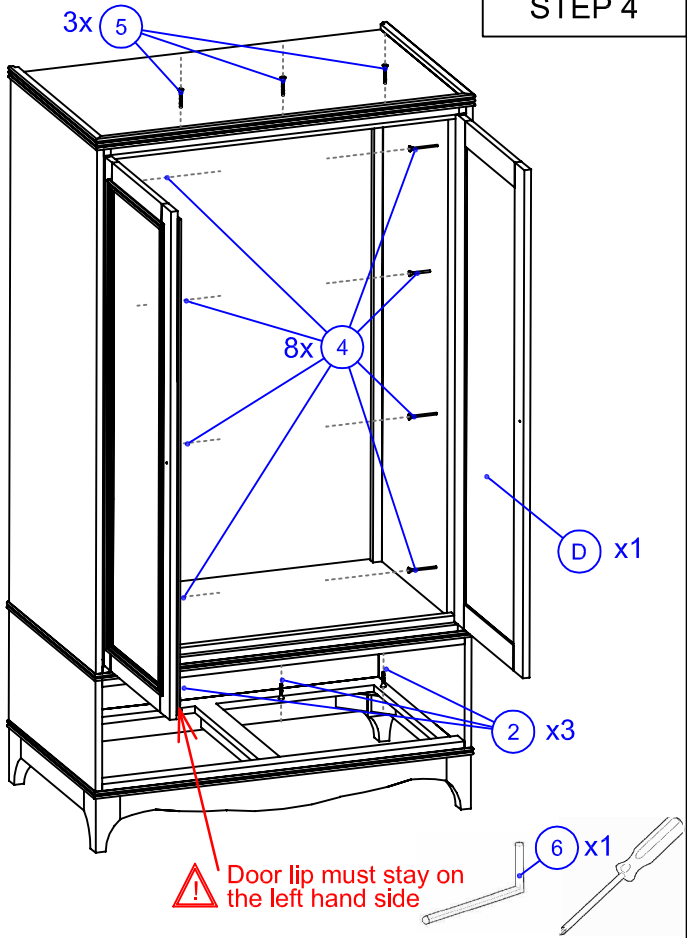
STEP 2



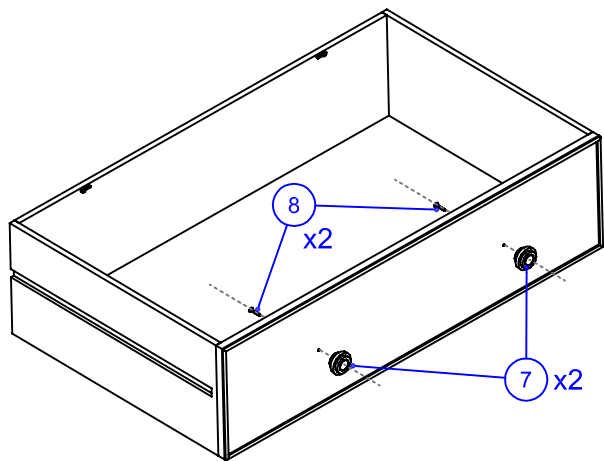
STEP 3



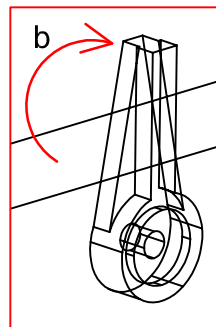
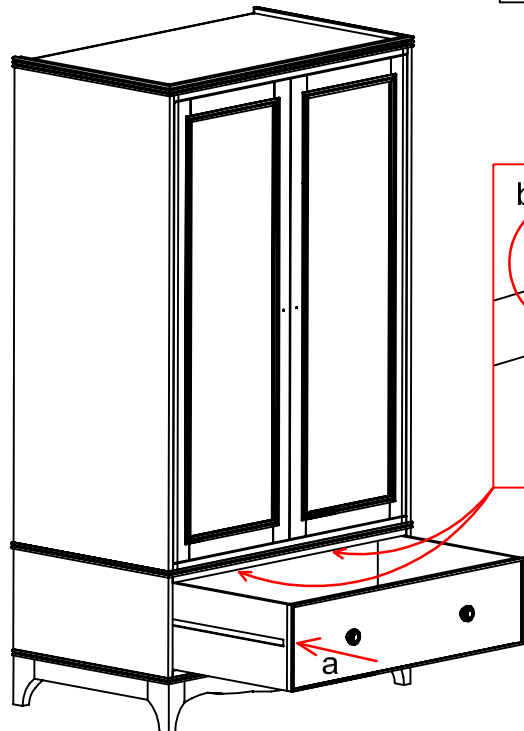
STEP 4



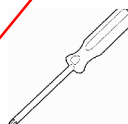
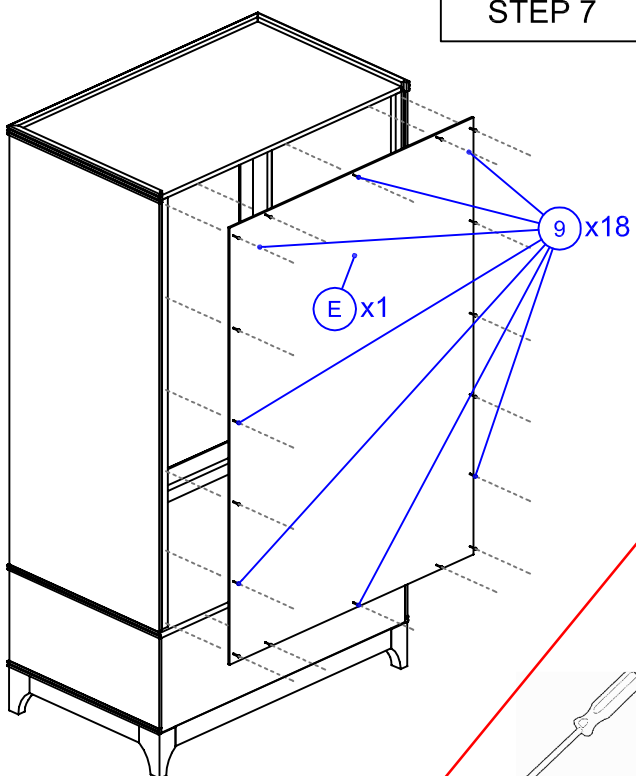
STEP 5



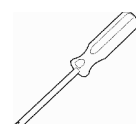
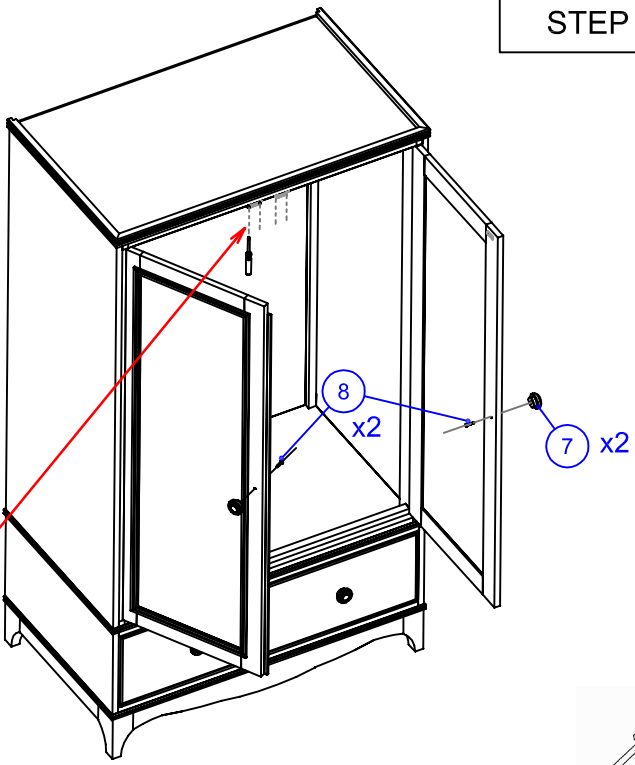
STEP 6



STEP 7

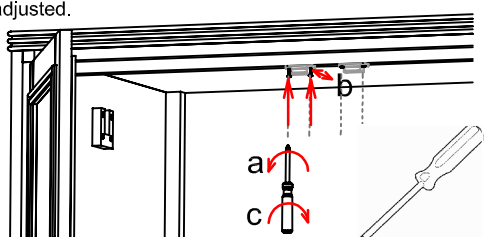


STEP 8

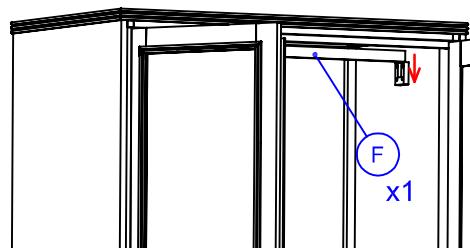


N.B. If the door does not shut properly, adjust the magnet moving it back or forward. Tighten the screws once adjusted.

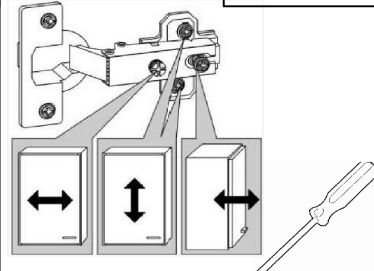
STEP 9



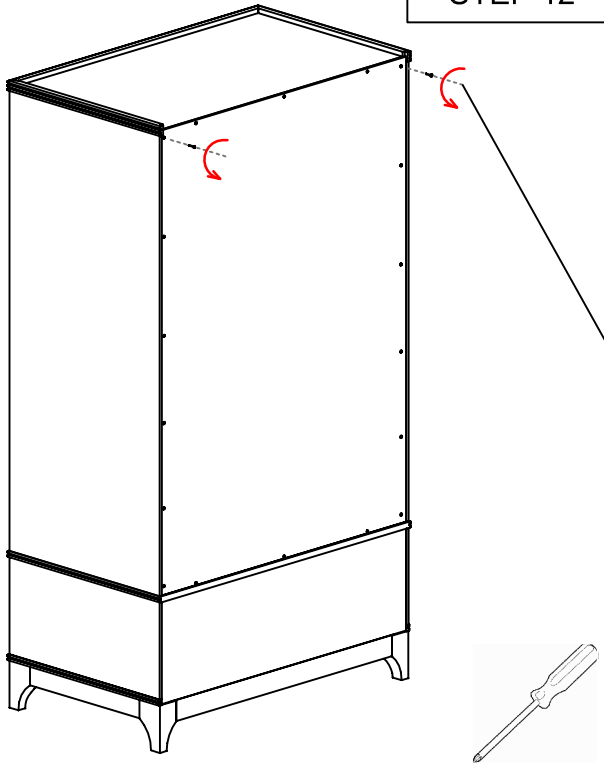
STEP 10



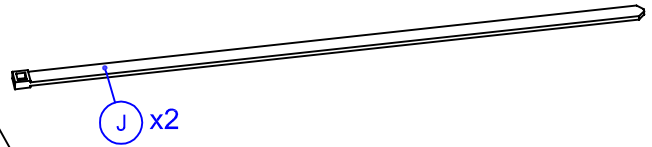
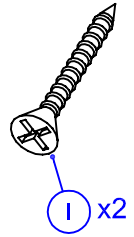
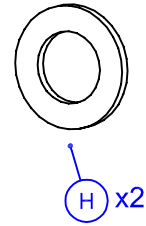
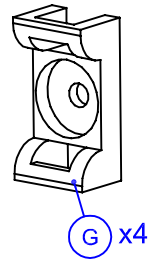
STEP 11



STEP 12



STEP 13,14,15



13 STEP: Attach one plastic fitting G to the back of the wardrobe. Use 1 fitting on either side of the back panel (use the pre-drilled holes in the back panel to attach the fittings). Use screw I.

14 STEP: Attach 2 other fittings G to the wall. Make sure the distance between the centres of the fittings is 998 mm (screws not supplied, please source screws that are relevant to the structure of your wall).

15 STEP: Push the unit to the wall. Make sure that the plastic fittings G touch each other. Use the supplied plastic string J and push it through the holes in both touching fittings. Fasten to secure.

