

# BEFORE YOU GET STARTED...

*We're confident you'll love your gorgeous new Next furniture. However, it's worth making absolutely certain before you put it all together.*

*So, let's quickly run through these three steps:*

## 1. COLOUR

Make sure you're happy with the colour  
No need to unpack everything, just check the first component.

## 2. PROTECTIVE PACKAGING

If you're happy, then it's time to get opening! Start by laying everything out on the protective packaging – this will prevent anything getting scratched.

## 3. PARTS PAGE

Finally, double check you have all the pieces by referencing the parts page of the instructions.

## TIPS FOR RETURNS

Not completely happy with the product? No problem. We just need everything back in the original packaging, so follow the steps below and this will ensure a super-smooth returns process and no delay to your refund.

DO



- Check everything is there (the 'parts page' is a handy checklist).
- Pop all the loose fittings and fixtures into the packaging provided or tie them up in a plastic bag.
- Wrap all the big components back up in the original protective packaging.
- Close up the box and seal it securely (don't be afraid to use plenty of tape).

DON'T

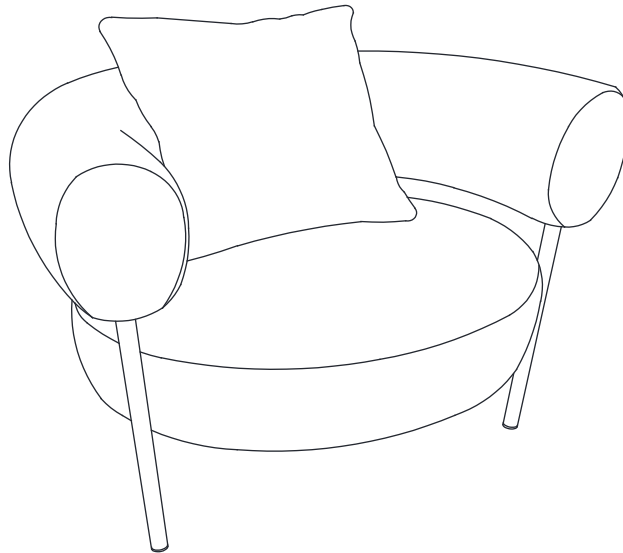


- Leave anything assembled - all components should be dismantled and separately packed.
- Put loose fixtures and fittings straight into the box.
- Throw it back in the box carelessly – as it may get damaged.

**NEXT**

Then just give us a call on 0333 777 8999 and we'll sort out a pick up time for you.

**Actual product size**  
 H67x W84.5x D70 cm



<b>ITEM NO.</b>	<b>DESCRIPTION</b>	<b>FABRIC COMPOSITION</b>
A98971	ALEIA CSB OYST BGL	100% Polyester
T80037	ALEIA FCH MGRY BCL	100% Polyester
D91511	ALEIA FCH NAVY BGL	100% Polyester
D91510	ALEIA PLCH MOSS BGL	100% Polyester
B54519	ALEIA SCB BLK BGL	100% Polyester

**Need Help?**

With: Assembly instructions  
 Missing or damaged parts

**CALL: 0333 777 8999**

**IMPORTANT — RETAIN FOR FUTURE REFERENCE**

## BEFORE YOU START

### Warnings

We suggest you retain these instructions for future reference

Keep fittings out of children's reach and keep children well away from construction area

This product should only be used on firm level ground

Avoid exposing the furniture to excessive heat or direct sunlight as this can cause cracking of the wood and deterioration of the colour

Unwrap all packaging materials and place the components on top of the carton box or on a clean floor to protect it from damage

### Do's

We suggest you spend a short time reading through this leaflet before you start

When you are ready to start, make sure that you have the right tools and plenty of space

We recommend that the packaging is used to protect the surfaces during assembly

Carefully check that you have all the parts before beginning assembly

Ensure the product is fully assembled as illustrated and all fixings fully tightened before use. Check fixings regularly to ensure they remain tight

Always wipe dry after cleaning

To clean your item, please use a soft cloth slightly dampened with water and wipe clean. Then buff with a dry clean cloth

### **For upholstered leather chairs;**

Dust regularly with a soft cloth, preferably once a week, to keep the leather pores free from dust particles and follow standard cleaning method mentioned above.

Keep away from strong heat sources.

### Don'ts

Never allow any kind of liquid to remain on your furniture. Absorption can cause wood to warp or finishes to de-laminate.

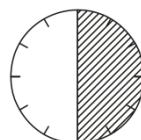
Do not stand or lean back on your chairs

Do not use silicone based furniture polish. Silicone in furniture polishes can break down the lacquer finish.

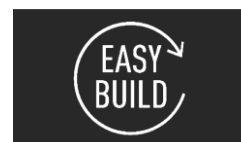
### Number of people required to assemble

One person is required to assemble this item.

### Time to assemble



30 mins



### Tools required

### Missing parts

If you are missing any fixtures and fittings for your product please contact our customer service team on 0333 777 8999 and they will be happy to arrange for a replacement to be sent to you free of charge.

### Home service technicians

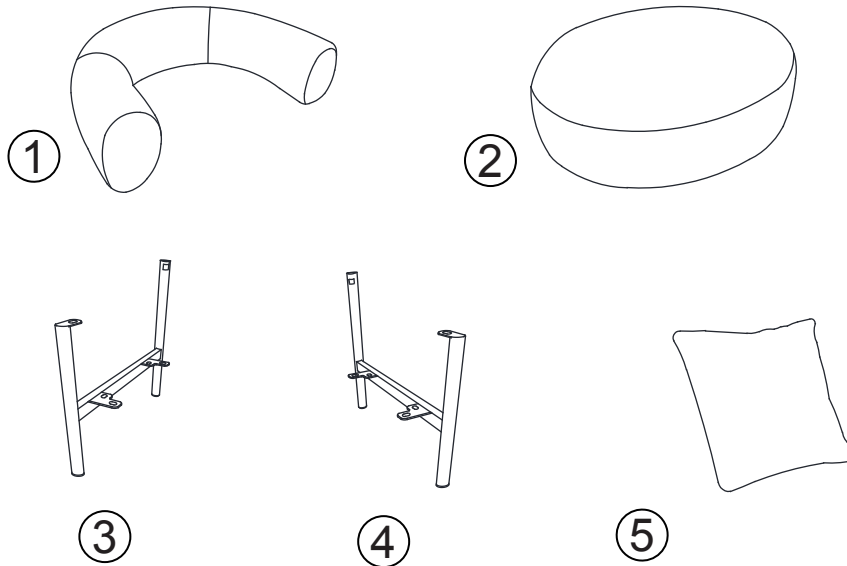
If you have a fault with your product please contact our customer service team on 0333 777 8999. If you have had the product for 28 days or less you may be offered a replacement, refund or for a fully trained home service technician to visit your home to assess the fault and repair the product where possible. If you have had the product for more than 28 days we will send an independent home service technician to review and repair the product where possible and recommend further action.

### You can write to us at

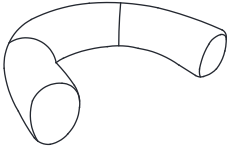
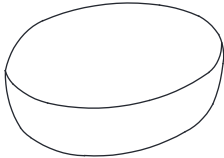
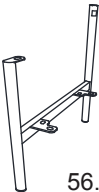
Home Customer Services  
Next Retail Ltd,  
Desford Road,  
Leicester,  
LE19 4AT

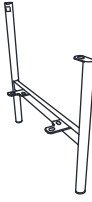
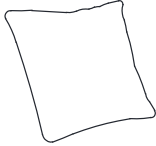
To view our full furniture range please  
visit [www.next.co.uk](http://www.next.co.uk)

## GETTING TO KNOW YOUR PRODUCT



Components supplied Please use this guide if you require replacement parts.

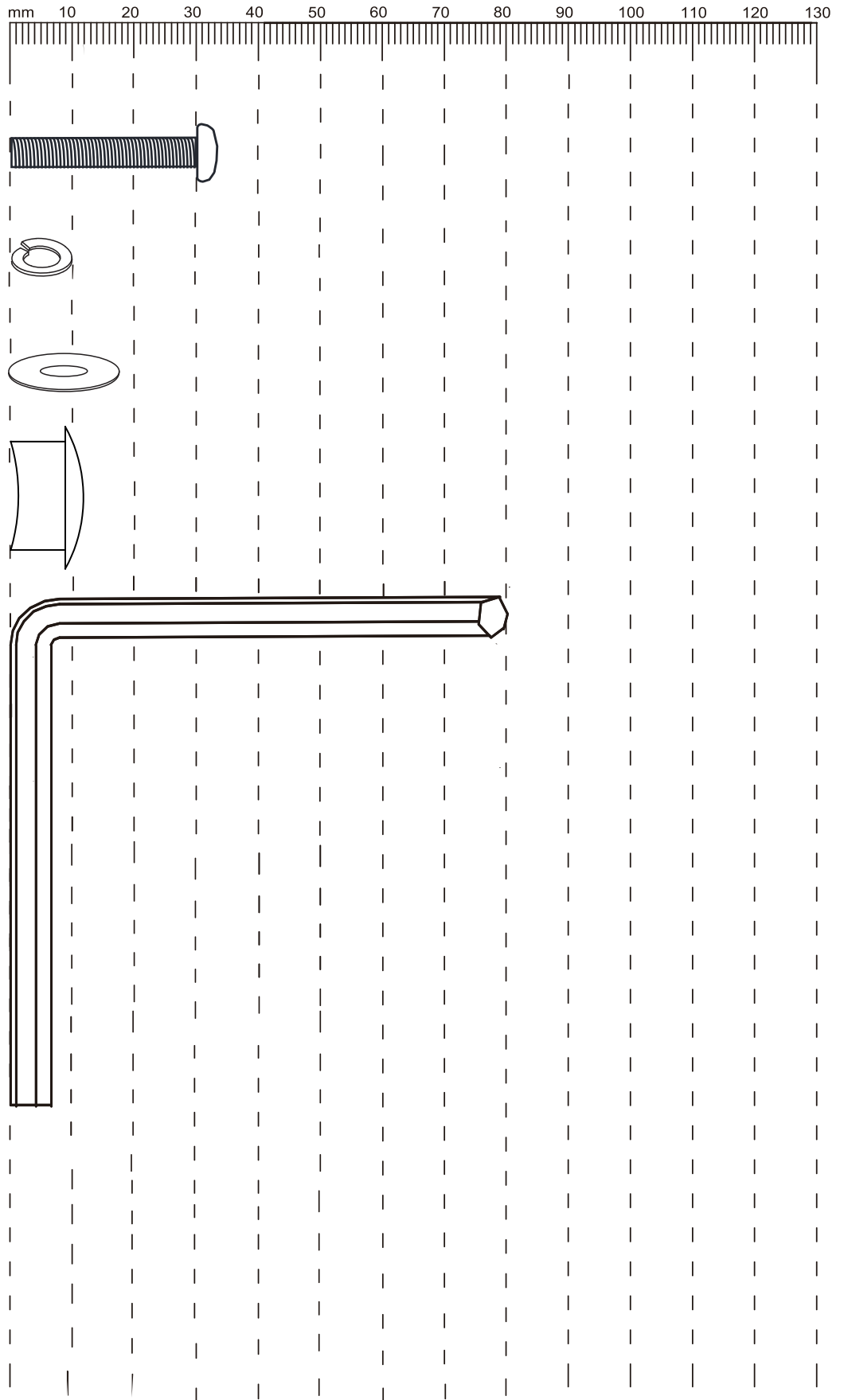
Ref	Visual	Qty
1	 85*65*23cm	1
2	 76*64*19cm	1
3	 56.5*55.4*8cm	1

Ref	Visual	Qty
4	 56.5*55.4*8cm	1
5	 41*41*14cm	1

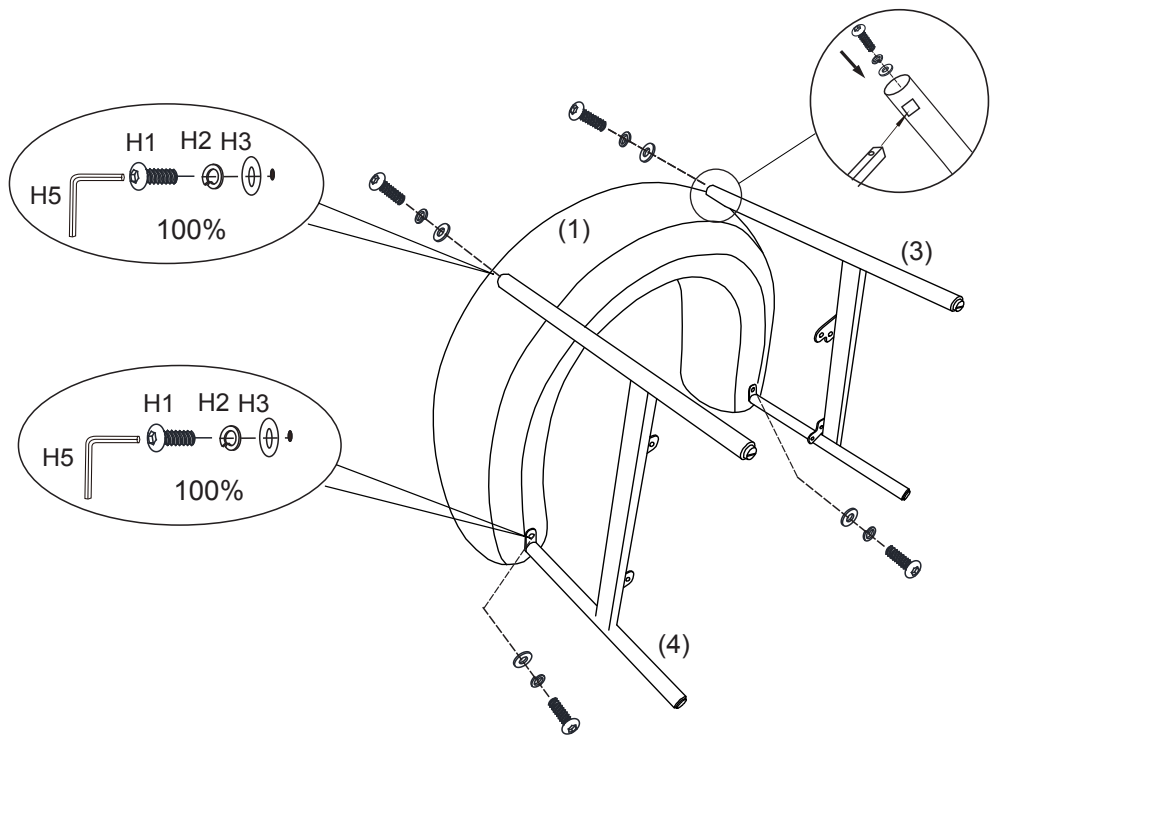
## Aleia Accent Chair Assembly instructions





Fixtures and fittings  
supplied (actual size)

Ref	Dimension	Qty	Spare
H1	M6x30mm	12	2
H2	( $\varnothing 6 + \varnothing 10$ ) mm	12	2
H3	( $\varnothing 6 + \varnothing 18$ ) mm	12	2
H4	$\varnothing 25 \times 12$ mm	2	0
H5	M6*(80+80)mm	1	0

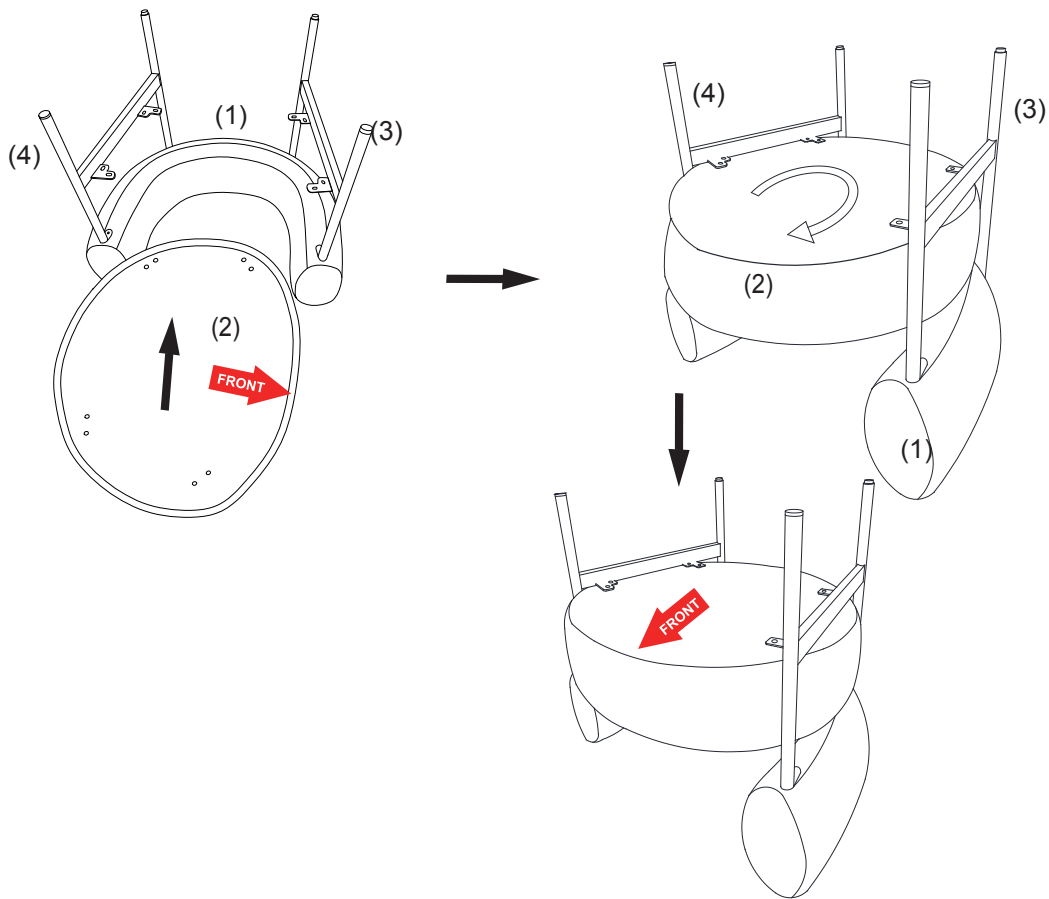


1

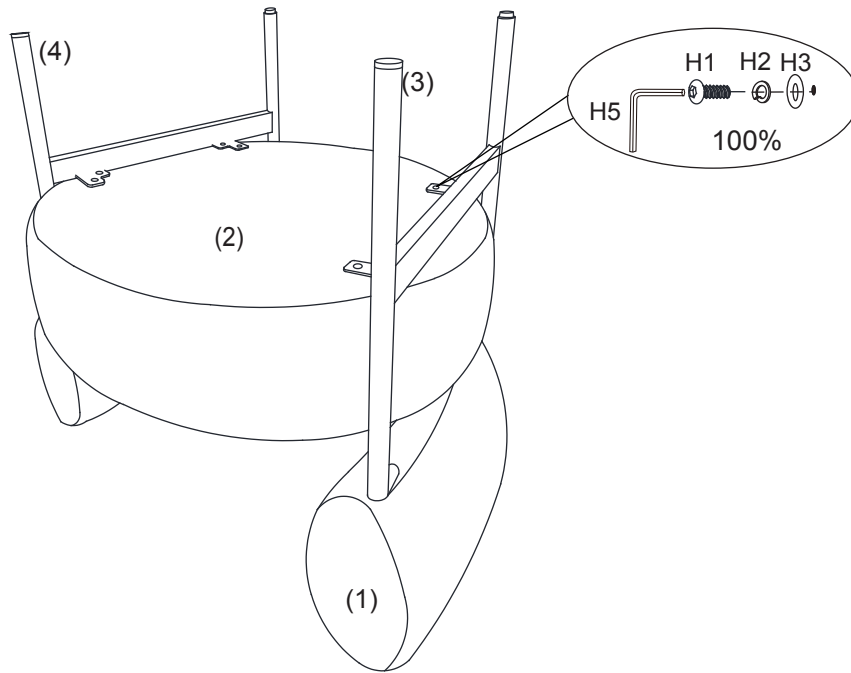






H1x4  M6x30mm	H2x4  ( $\phi 6 + \phi 10$ ) mm	H3x4  ( $\phi 6 + \phi 18$ ) mm	H5x1  M6X (80+80) mm
--	--	--	---

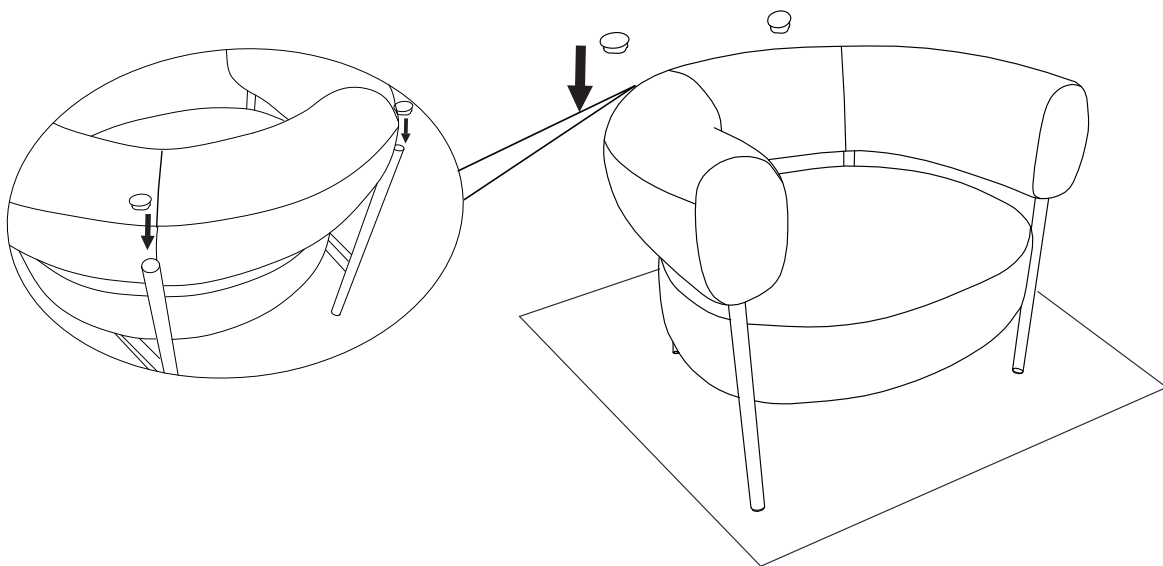
2




**3**

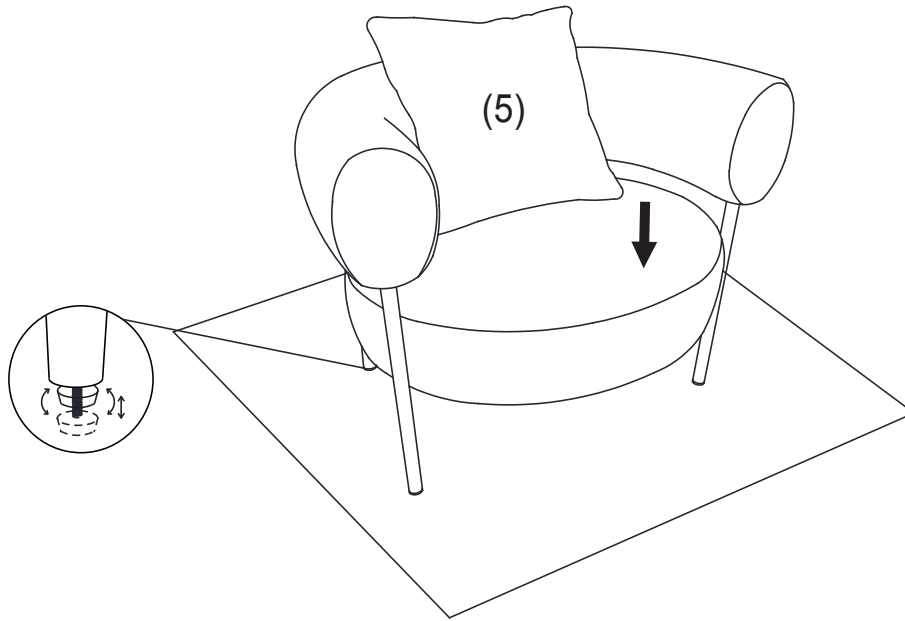


H1x8  M6x30mm	H2x8  ( $\phi$ 6+ $\phi$ 10) mm	H3x8  ( $\phi$ 6+ $\phi$ 18) mm	H5x1  M6X (80+80) mm
--	--	--	---

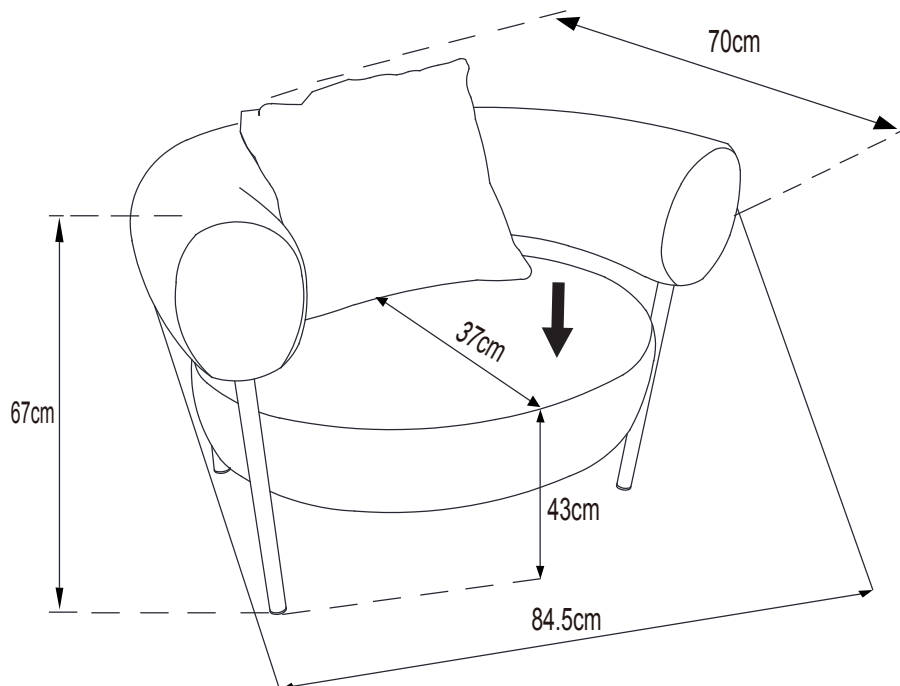


H4x2  $\phi$ 25x12mm
---

**4**



**Actual product size**  
H67x W84.5x D70 cm





**Warnings**

We suggest you retain these instructions for future reference.

Keep fittings out of children's reach and keep children well away from construction area.

This product should only be used on firm, level ground.

Please periodically check all fittings and re-tighten as necessary.

Please do not stand or lean back on your furniture.

Avoid exposing the furniture to excessive heat or direct sunlight as this can cause cracking of the wood and deterioration of the colour.

Keep away from strong heat sources.

Do not use this item if components are missing or broken.

**Do's**

We suggest you spend a short time reading through this leaflet before you start .

When you are ready to start, make sure that you have the right tools and plenty of space .

Unwrap all packaging materials and place the components on a clean surface to protect it from damage.  
We recommend that the packaging is used to protect the surfaces during assembly.

Carefully check that you have all the parts before beginning assembly.

Ensure the product is fully assembled as illustrated and all fixings fully tightened before use.

Check fixings regularly to ensure they remain tight and legs / feet are secure.

Always ensure that floor protectors are used on the legs according to your flooring type.

To clean your items, please lightly wipe with a slightly dampened cloth.

For leather items dust regularly with a soft cloth, preferably once a week, to keep the leather pores free from dust particles.

For velvet items use a soft brush lightly dress the fabric. Lightly wipe with a slightly dampened cloth to clean.

For velvet items avoid scratching the fabric as the pile may not recover and permanently mark it.

**Don'ts**

When moving furniture never drag the pieces across the floor, as this will cause damage to the joints or potential damage to the floor.

Apply Adhesive substrates for example, sticky tape to the product .

Do not use silicone based furniture polish. Silicone in furniture polishes can break down the lacquer finish.

Never allow any kind of liquid to remain on your furniture. Absorption can cause finishes to de-laminate and or stain.

Please do not stand or lean back on your furniture.