

NEXT

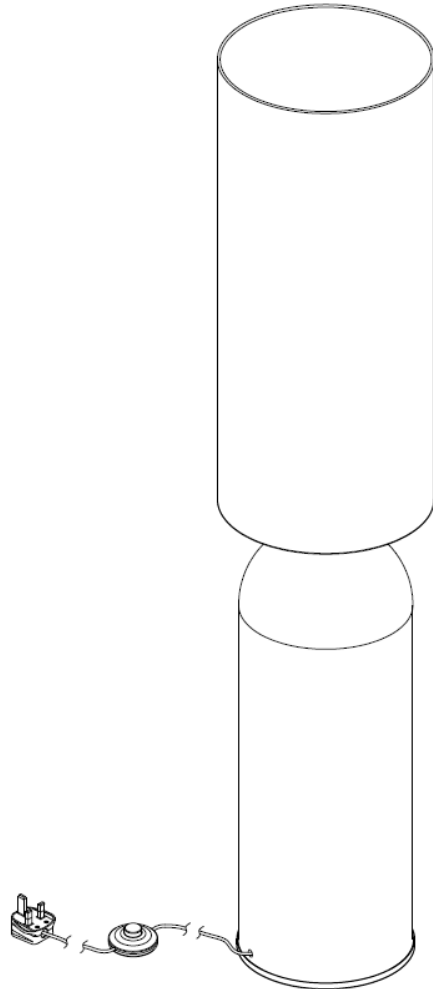
GLOUCESTER BLACK FLOOR LAMP

B15649

Assembly instructions

Actual product size:

H133 x DIAM 28cm



Need Help?

With: Assembly instructions
Missing or damaged parts

CALL: 0333 777 8999



IMPORTANT – RETAIN FOR FUTURE REFERENCE

NEXT

GLOUCESTER BLACK FLOOR LAMP

B15649

Assembly instructions

BEFORE YOU START

Warnings

We suggest you retain these instructions for future reference

This light is suitable for indoor use only

Use Max 240 Volts 10 Watt E27 Bulb (Not included)

Do's

We suggest you spend a short time reading through this leaflet before you start

When you are ready to start, make sure that you have the right tools and plenty of space

Unwrap all packaging materials and place the components on top of the carton box or on a clean floor to protect it from damage

We recommend that the packaging is used to protect the surfaces during assembly

Carefully check that you have all the parts before beginning assembly

Ensure the product is fully assembled as illustrated and all fixings fully tightened before use. Check fixings regularly to ensure they remain tight

Always switch off the supply before changing light bulbs or cleaning

Allow bulbs to cool down before handling

Don'ts

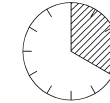
Do not position this product in an area, subject to humid or moist conditions.

Do not allow moisture to come into contact with electric parts.

Missing parts

If you are missing any fixtures and fittings for your product please contact our customer service team on 0333 777 8999 and they will be happy to help.

Time to assemble



20 mins

Cleaning Care

We recommend cleaning with a soft dry cloth. Do not use abrasive materials as these will rub away the protective coating.

Maintenance

To ensure your safety, if the cable becomes damaged it must be replaced only by a qualified person.

Safety information

For your safety, please remember the following:

- Always switch off the power supply before changing light bulbs or cleaning
- Allow bulbs to cool down before handling.

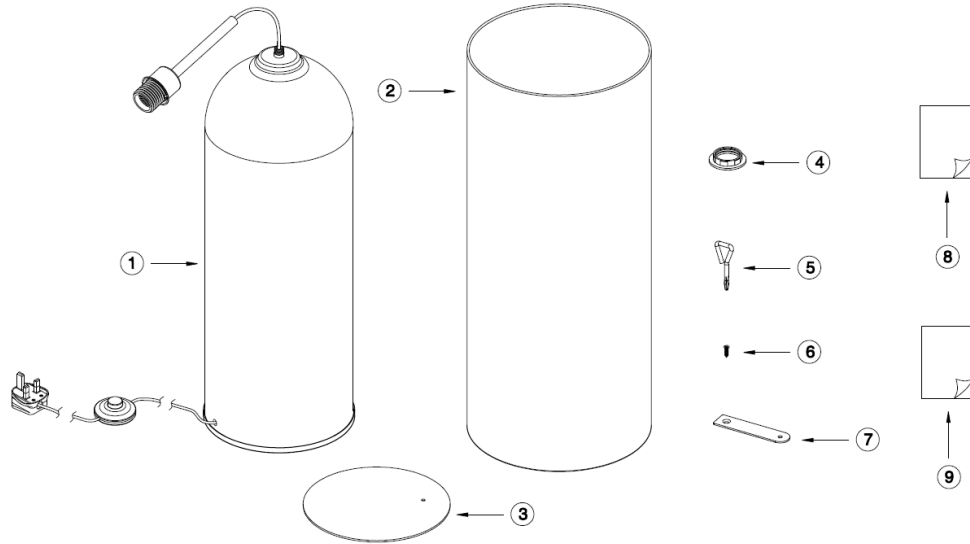
You can write to us at

Home Customer Services
Next Retail Ltd,
Desford Road,
Leicester,
LE19 4AT

Next retail (Ireland) Ltd
13-18 City Quay,
Dublin 2,
D02 ED70

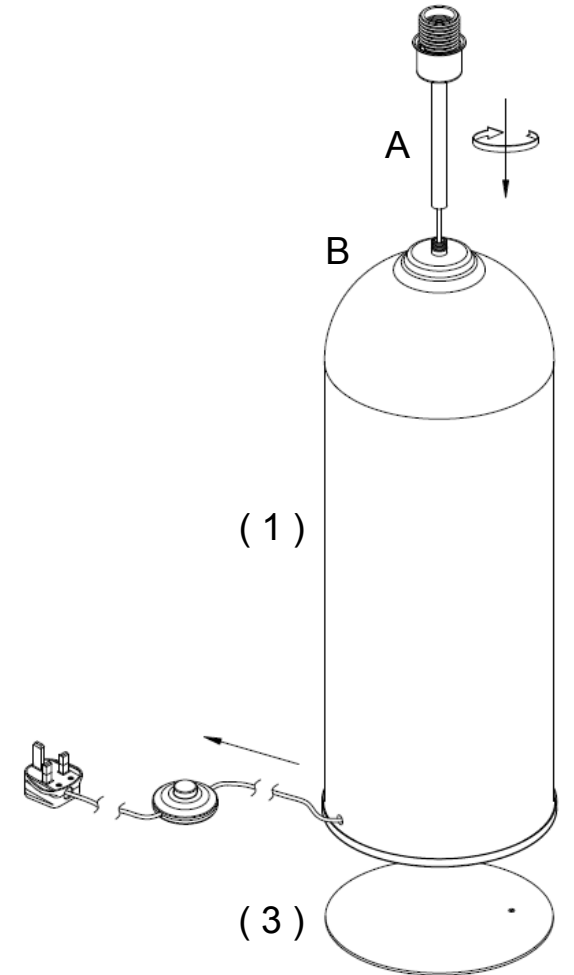
To view our full range please visit
www.next.co.uk

GETTING TO KNOW YOUR PRODUCT



Ref	Description	Specification	Qty	Remark
1	Light fitting	H133 x DIAM 28cm	1	Package in carton
2	Lampshade	D280 x H660mm	1	Package in carton
3	EVA	D228mm	1	Package in carton
4	Shade ring	E27	1	Attached on light fitting
5	Cross head screwdriver	W27 x L68mm	1	Package in fixing pack
6	Screw	KA4 x 10mm	1	Package in fixing pack
7	Bracket	L105 x W25 x T2.0mm	1	Package in fixing pack
8	Assembly instructions	A5	1	Package in fixing pack
9	Re-package instructions	A4	1	Package in fixing pack

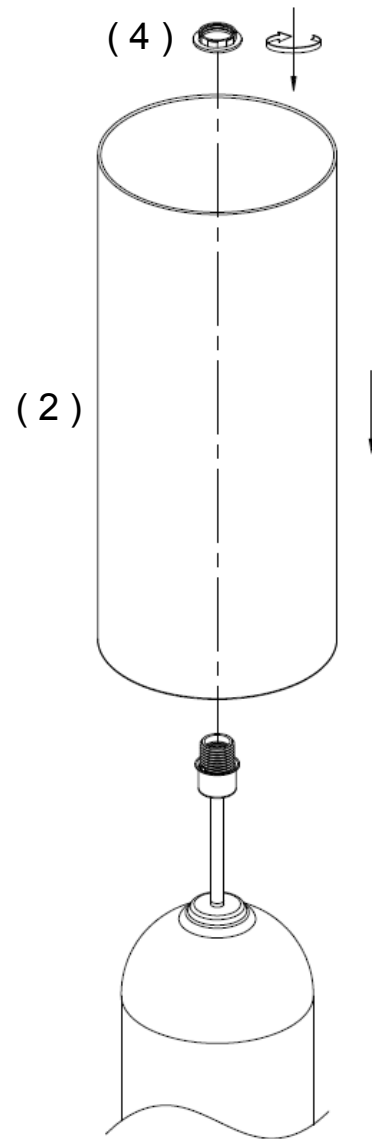
1



Step 2:

- Tighten the stem A to secure B.
- Pull the cable out by hand, and stick the EVA pad to the base.

2



Step 2:

- Attach the lampshade to the lampholder. Screw the lampshade ring to the lampholder.

3

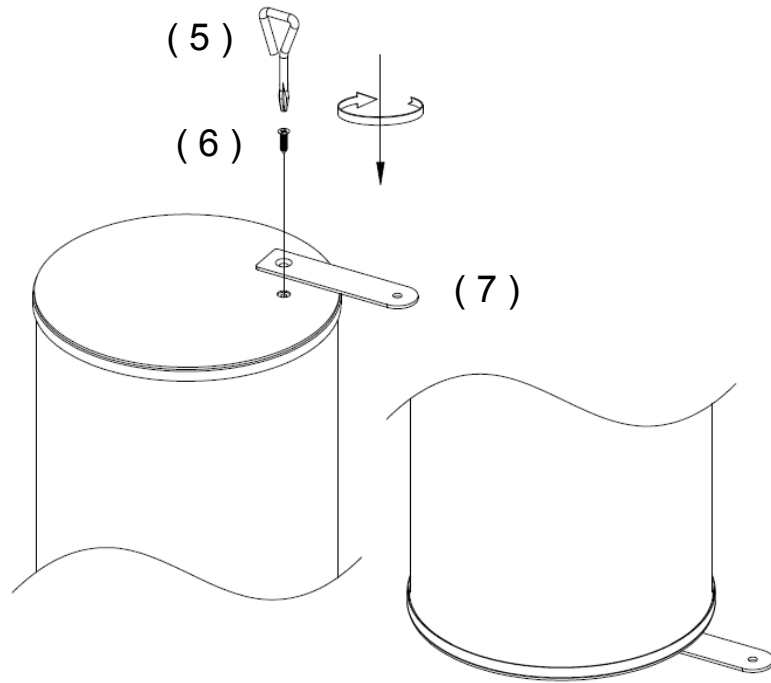
Bulb not included



Step 3:

- Screw the bulb to the lampholder.
- Use Max 240 Volts 10 Watt E27 Bulb.

4



Step 4:

- Should you wish for more stability of this lamp, you could consider fixing this to the floor following the below guidelines.

- PLEASE NOTE: ENSURE THAT THE AREA DRILLED MUST NOT BE IN CONTACT WITH ANY ELECTRICAL WIRING, WATER OR GAS PIPES. DRILLING WILL LEAVE A PERMANENT MARK ON THE FLOOR.

- 1) Attach the enclosed bracket to the bottom of the base in the pre threaded hole using the screw provided.
- 2) Taking care not to damage any wiring or piping under the floor, drill the floor to the height of the rawl plug. Screw the bracket to the floor using the screw supplied in the accessory pack. Ensure the floor lamp is secured in place.

Actual product size:
H133 x DIAM 28cm

