

# NEXT

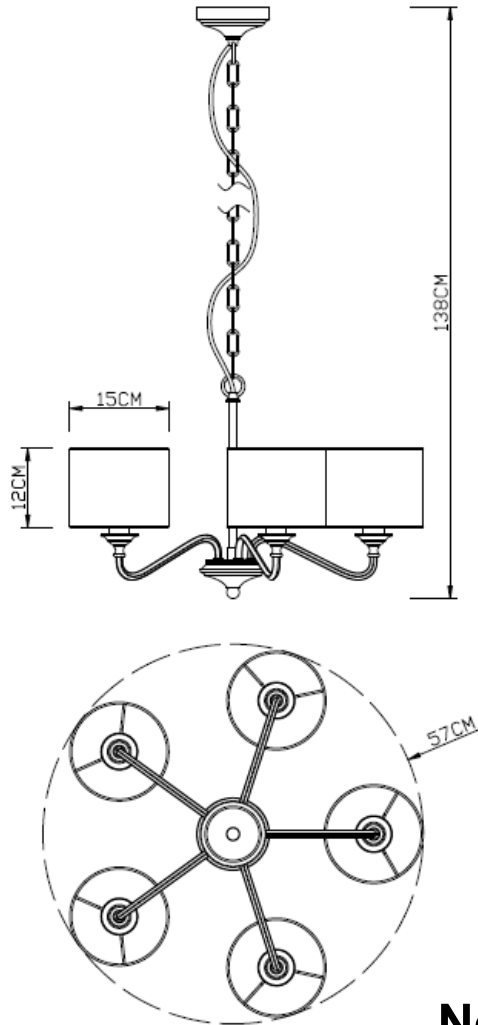
## BURFORD 5LT BLACK

B26823

Assembly instructions

### Actual product size:

Min H38cm / Max H138cm x Diam 57cm



## Need Help?

With: Assembly instructions  
Missing or damaged parts

CALL: 0333 777 8999



IMPORTANT – RETAIN FOR FUTURE REFERENCE

# NEXT

## BURFORD 5LT BLACK

B26823

Assembly instructions

## BEFORE YOU START

### Warnings

We suggest you retain these instructions for future reference

For your safety, this product must be installed in accordance with local Building Regulations. If in any doubt, or required by the law, consult a competent person who is registered with an electrician self-certification scheme. Further information is available online or from your Local Authority

This light is suitable for indoor use only

Light fittings should be connected to a 5 amp fused circuit

Use Max 240 Volts 7 Watt E14 Bulb (Not included)

Before commencing installation, isolate the circuit to be used by removing the fuse or circuit breaker at the consumer distribution unit

Please be aware if you cut the electrical cable once you convert the light to a flush fitting you are not able to add the full length of the chain back on

### Do's

We suggest you spend a short time reading through this leaflet before you start

When you are ready to start, make sure that you have the right tools and plenty of space

Unwrap all packaging materials and place the components on top of the carton box or on a clean floor to protect it from damage

We recommend that the packaging is used to protect the surfaces during assembly

Carefully check that you have all the parts before beginning assembly

Ensure the product is fully assembled as illustrated and all fixings fully tightened before use. Check fixings regularly to ensure they remain tight

Always switch off the supply before changing light bulbs or cleaning

Allow bulbs to cool down before handling

### Don'ts

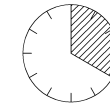
The fitting should not be fixed to newly painted or plastered surfaces as this may cause discolouration of the finish

We recommend cleaning with a soft dry cloth, do not use abrasive materials as these will rub away the protective coating

### Number of people required to assemble

One person who is competent with electrical wiring and installation, however we do recommend that this item is installed by a qualified electrician

### Time to assemble



20 mins

### Tools required



Cross Head Screwdriver (Not supplied)



Flat Screwdriver (Not supplied)



Insulating Tape (Not supplied)



Scissors (Not supplied)

### Missing parts

If you are missing any fixtures and fittings for your product please contact our customer service team on 0333 777 8999 and they will be happy to help.

### Cleaning Care

We recommend cleaning with a soft dry cloth. Do not use abrasive materials as these will rub away the protective coating.

### Safety information

For your safety, please remember the following:

- Always switch off the power supply before changing lightbulbs or cleaning
- Allow bulbs to cool down before handling.

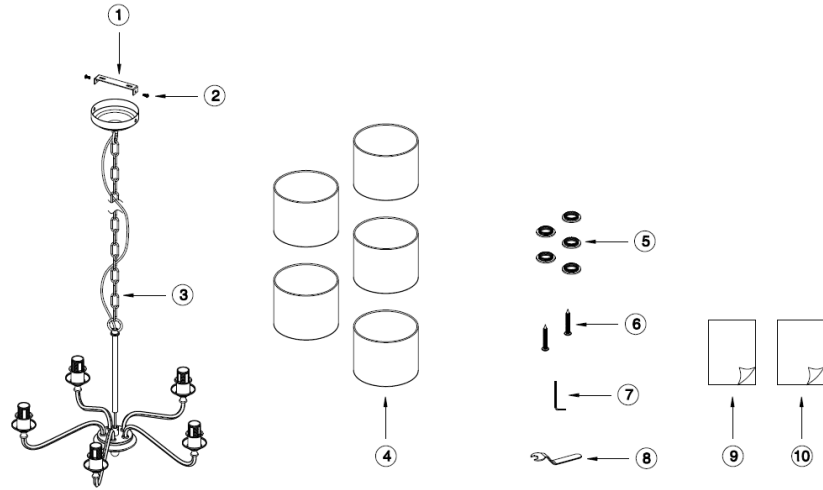
### You can write to us at

Home Customer Services  
Next Retail Ltd,  
Desford Road,  
Leicester,  
LE19 4AT

Next retail (Ireland) Ltd  
13-18 City Quay,  
Dublin 2,  
D02 ED70

To view our full range please visit  
[www.next.co.uk](http://www.next.co.uk)

### GETTING TO KNOW YOUR PRODUCT

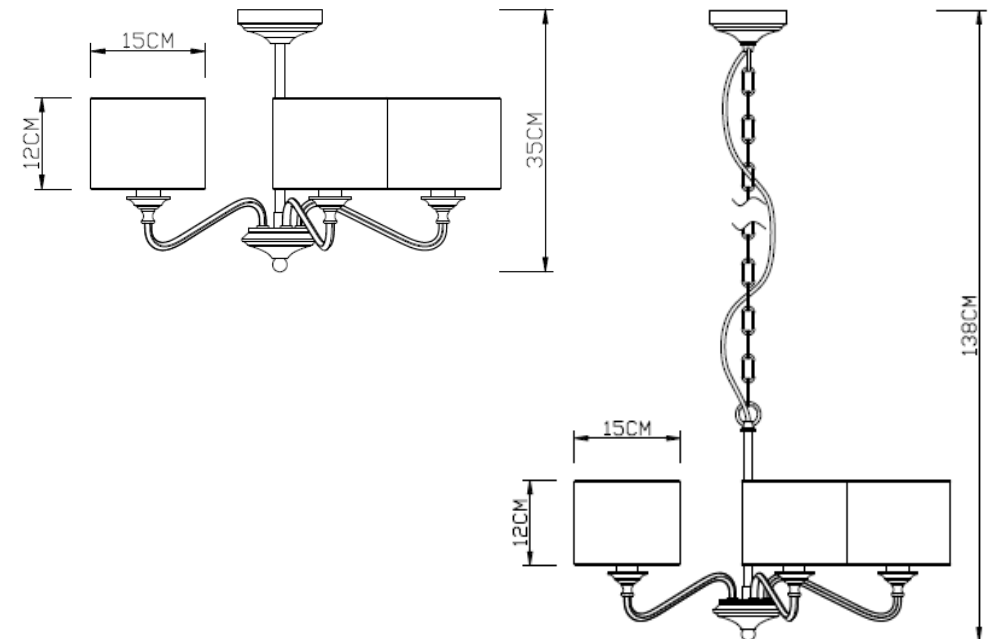


Ref	Description	Specification	Qty	Remark
1	Fixing bracket	L106 x W20 x H15mm	1	Attached on light fitting
2	Screw	PWM4 x 8mm	2	Attached on light fitting
3	Light fitting	H138 x DIAM 57cm	1	Package in carton
4	Lampshade	D150 x H120mm	5	Package in carton
5	Shade ring	E14	5	Attached on light fitting
6	Screw	PA4 x 35mm	2	Package in fixing pack
7	Allen key	M2.0	1	Package in fixing pack
8	Spanner	W34 x L120mm	1	Package in fixing pack
9	Assembly instructions	A5	1	Package in fixing pack
10	Re-package instructions	A4	1	Package in fixing pack

### THIS PRODUCT IS DUAL MOUNTABLE

Follow steps 1 - 5 to fit the product with the Chain

Follow steps A – K to fit the product as a Flush Light



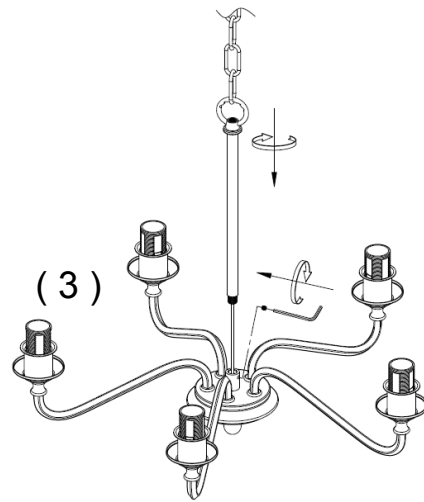
# NEXT

## BURFORD 5LT BLACK

B26823

Assembly instructions

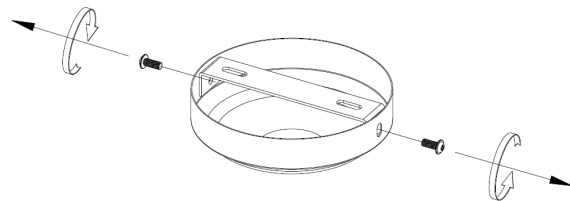
### 1



Step 1:

- Screw the stem into the central part of the lamp.
- Tighten the hexagonal screw to the connection part by using the supplied allen key.

### 2



Step 2:

- Remove the fixing bracket from the ceiling cup.

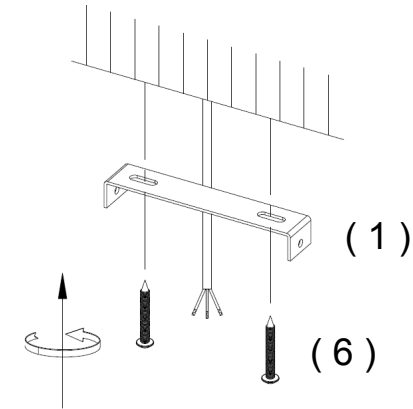
# NEXT

## BURFORD 5LT BLACK

B26823

Assembly instructions

### 3



Step 3:

- Attach the fixing bracket to the ceiling.
- Make sure the screws penetrate a ceiling joist by at least 25mm.

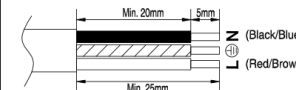
### 4

#### Light Fitting Flex

Transparent cable - solid white line

Green/Yellow cable - ceiling cup  
Transparent cable - green stripe - lamp compartment

Transparent cable - no line

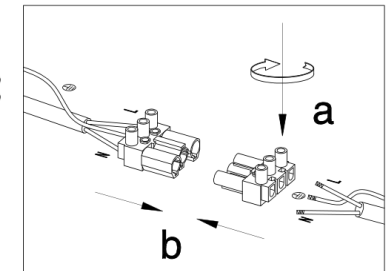
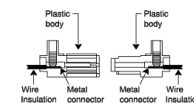


#### Household Circuit

Black or blue (Neutral)

Green/Yellow-sleeved Copper (Earth) ⊕  
Green/Yellow-sleeved Copper (Earth) ⊕

Red or Brown - Switched Live (Live)



- When you are ready to connect your fitting to the electricity supply, carefully remove any heat shrinkable film around the terminal block using a pair of scissors. Take care not to damage the wiring or terminal block while removing the sleeve.
- Connect the supply wires to the terminal block of the fitting as above diagram.
- Ensure that connections are tight and that no loose strands are left out of the connectors. Cover the connectors with two layers of good quality electrical insulation tape continuing at least 3cm either side of the connector block.
- This product must be earthed – if no earth wire (Green/Yellow wire) is available, consult an electrician.

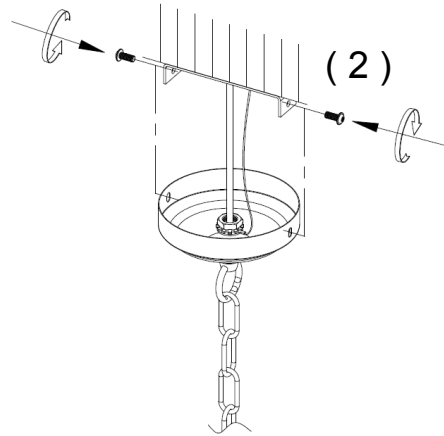
# NEXT

## BURFORD 5LT BLACK

B26823

Assembly instructions

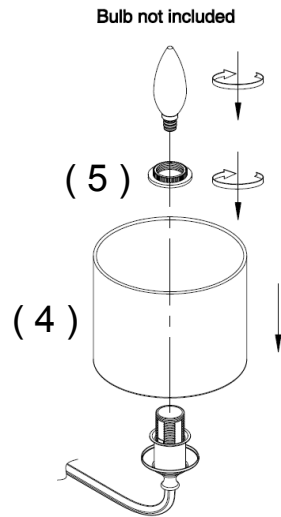
### 5



Step 5:

- Secure the ceiling cup to the mounting bracket by tighten the side screws.

### 6



Step 6:

- Attach the lampshade to the lampholder. Screw the lampshade ring to the lampholder.
- Screw the bulb to the lampholder. Use Max 240 Volts 7 Watt E14 Bulb.

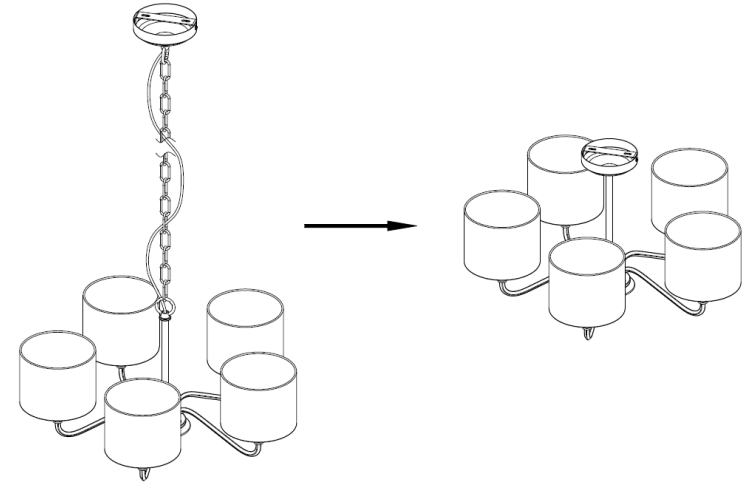
# NEXT

## BURFORD 5LT BLACK

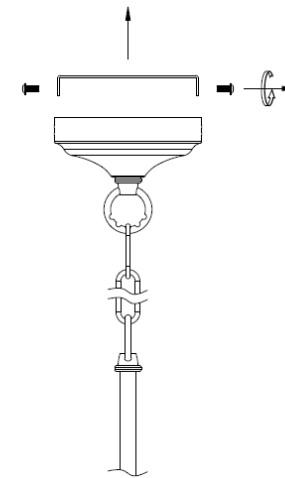
B26823

Assembly instructions

### Instructions to convert light to a Flush Fitting



### A



Step A:

- Remove the fixing bracket from the ceiling cup.

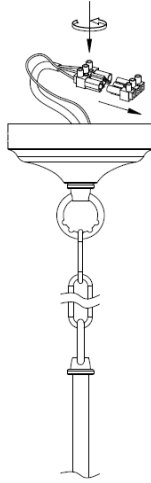
# NEXT

## BURFORD 5LT BLACK

B26823

Assembly instructions

### B



Step B:

- Remove the terminal block.

**Please note markings on transparent Cable**

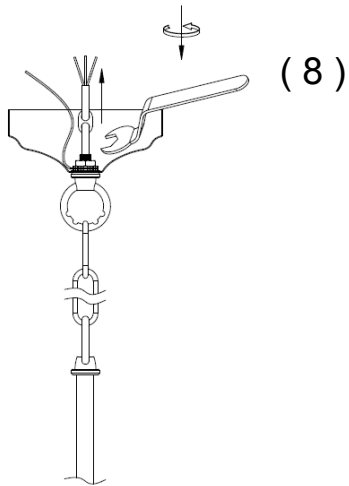
Live - No marking

Earth - Green Stripe

Neutral - White solid line

**IMPORTANT** - if in doubt please contact a qualified electrician

### C



Step C:

- Remove the cable grip, using the spanner to remove the nut, take out all the accessories.

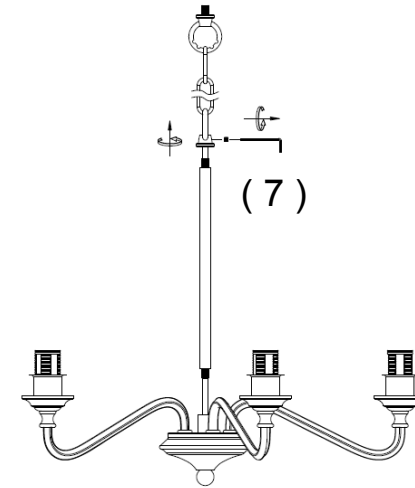
# NEXT

## BURFORD 5LT BLACK

B26823

Assembly instructions

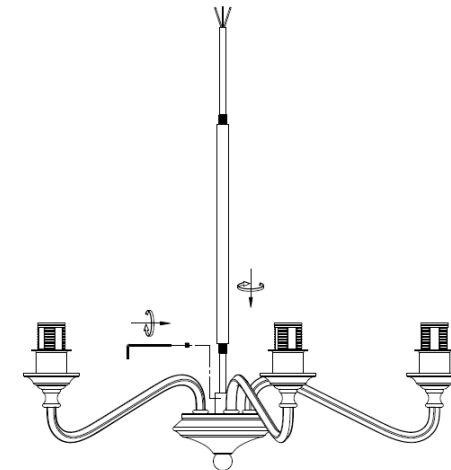
### D



Step D:

- Using the allen key to remove the screw, taking out the whole chain.

### E



Step E:

- Screw the stem into the middle of the centre box, tighten the screw by using the allen key.

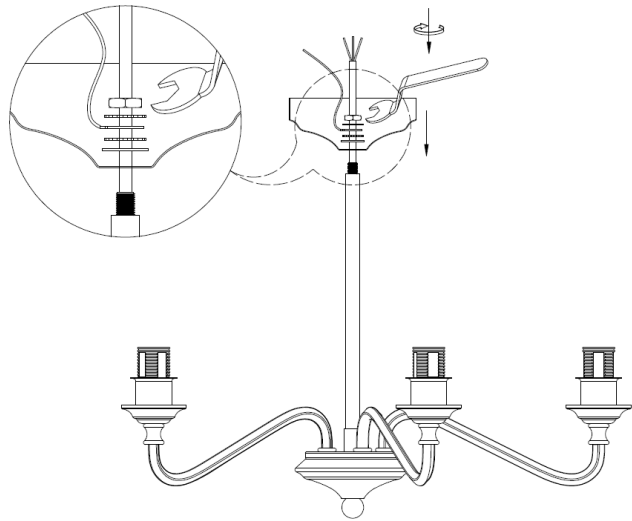
# NEXT

## BURFORD 5LT BLACK

B26823

Assembly instructions

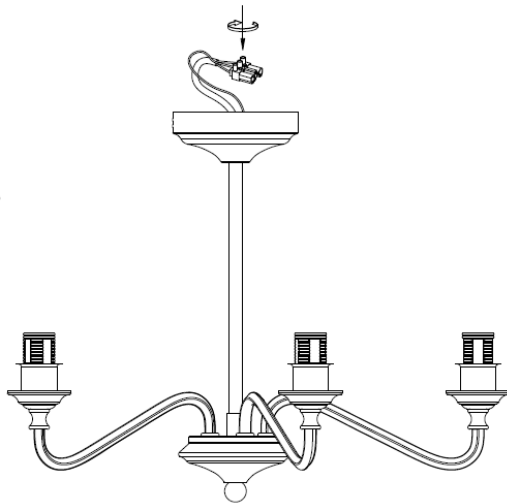
### F



Step F:

- Place the canopy, flat washer, teeth washer, earth wire, teeth washer, nut in sequence and tighten the nut by using the allen key.

### G



Step G:

- Connect the terminal block.
- We do not recommend shortening the cable as this can be coiled into the ceiling cup - however if you wish to - please contact a qualified electrician

Please note markings on transparent Cable  
Live - No marking  
Earth - Green Stripe  
Neutral - White solid line

**IMPORTANT** - if in doubt please contact a qualified electrician

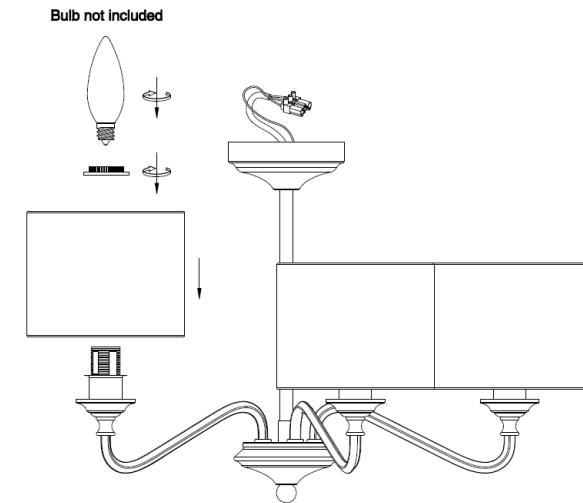
# NEXT

## BURFORD 5LT BLACK

B26823

Assembly instructions

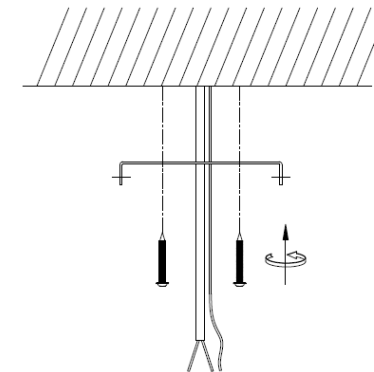
### H



Step H:

- Attach the lampshade to the lampholder. Screw the lampshade ring to the lampholder.
- Screw the bulb to the lampholder. Use Max 240 Volts 7 Watt E14 Bulb.

### I



Step I:

- Attach the fixing bracket to the ceiling.
- Make sure the screws penetrate a ceiling joist by at least 25mm.

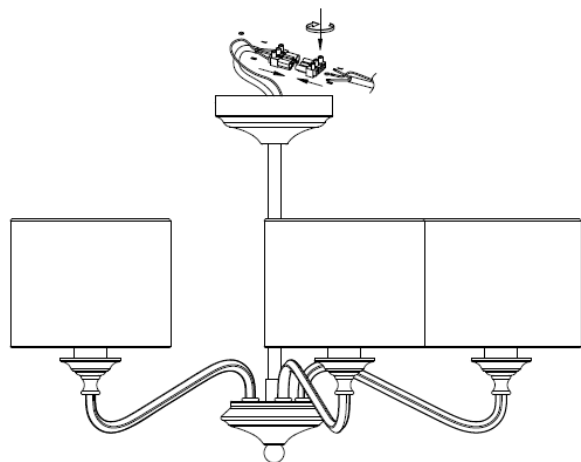
# NEXT

## BURFORD 5LT BLACK

B26823

Assembly instructions

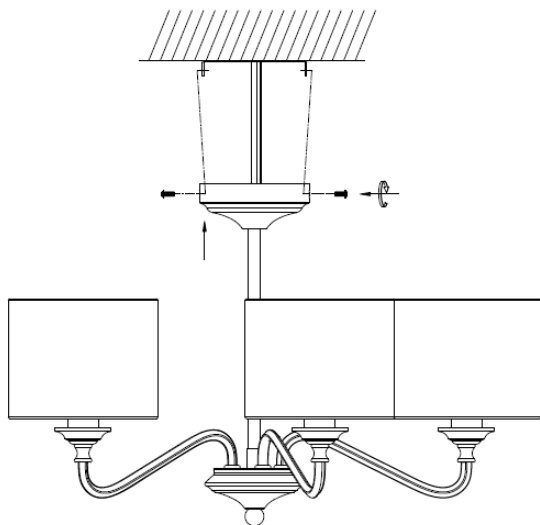
### J



Step J:

- Detailed wiring instructions (See figure 4)

### K



Step K:

- Secure the ceiling cup to the mounting bracket by tighten the side screws.

# NEXT

## BURFORD 5LT BLACK

B26823

Assembly instructions

Actual product size:

H35cm x DIAM 57cm

