

BEFORE YOU GET STARTED...

We're confident you'll love your gorgeous new Next furniture. However, it's worth making absolutely certain before you put it all together.

So, let's quickly run through these three steps:

1. COLOUR

Make sure you're happy with the colour
No need to unpack everything, just check the first component.

2. PROTECTIVE PACKAGING

If you're happy, then it's time to get opening! Start by laying everything out on the protective packaging – this will prevent anything getting scratched.

3. PARTS PAGE

Finally, double check you have all the pieces by referencing the parts page of the instructions.

TIPS FOR RETURNS

Not completely happy with the product? No problem. We just need everything back in the original packaging, so follow the steps below and this will ensure a super-smooth returns process and no delay to your refund.

DO



- Check everything is there (the 'parts page' is a handy checklist).
- Pop all the loose fittings and fixtures into the packaging provided or tie them up in a plastic bag.
- Wrap all the big components back up in the original protective packaging.
- Close up the box and seal it securely (don't be afraid to use plenty of tape).

DON'T



- Leave anything assembled - all components should be dismantled and separately packed.
- Put loose fixtures and fittings straight into the box.
- Throw it back in the box carelessly - as it may get damaged.

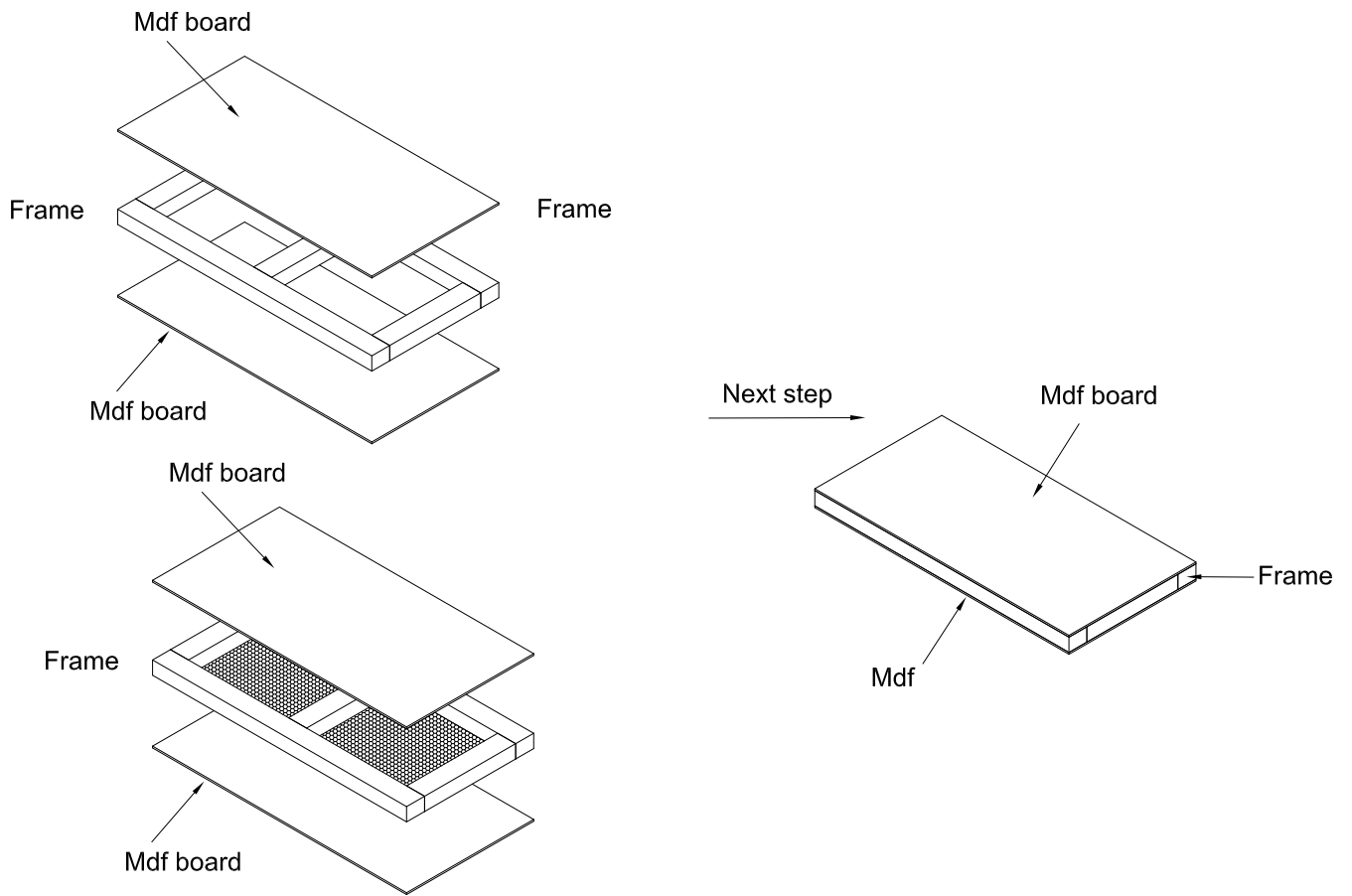
NEXT
HOME

Then just give us a call on 0333 777 8999 and we'll sort out a pick up time for you.

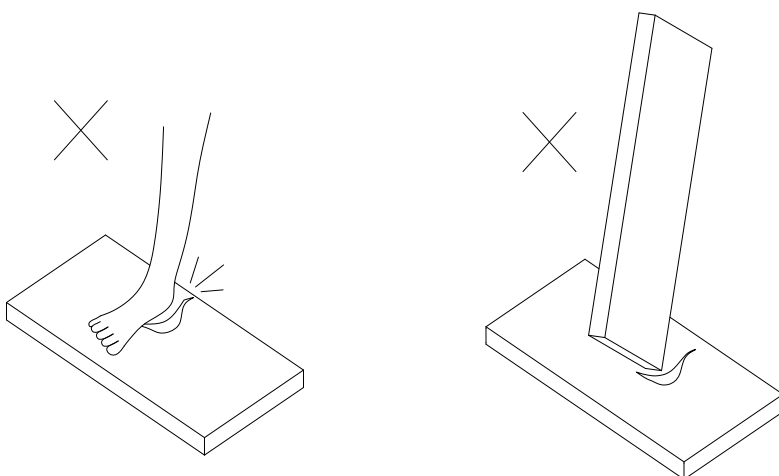


Care instructions for hollow board & Honeycomb board during you assembling the product

The structures of hollow board & honeycomb board are as below:



The centre of Hollow board & Honeycomb board is hollow. To avoid damaging the hollow board/honeycomb board, we suggest you not step on the hollow board/honeycomb board or not put other part on the board on the end when you assemble the product.



NEXT

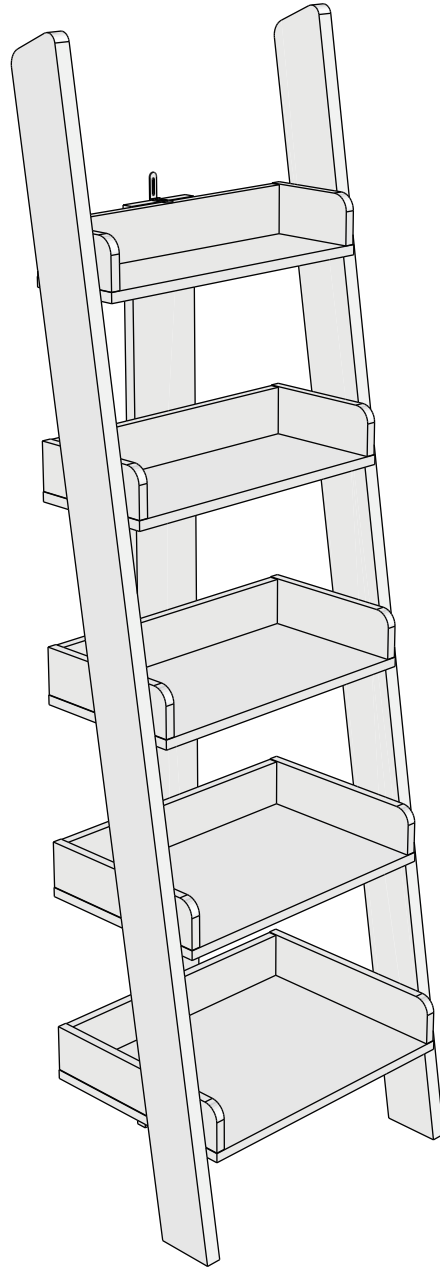
BRONX BLACK LADDER SHELF

C29826

Assembly instructions

Actual product size

H179.5 x W54 x D38cm



Need Help ?

With: Assembly instruction

Missing or damaged parts

IMPORTANT - RETAIN FOR FUTURE REFERENCE

CALL: 0333 777 8999

BEFORE YOU START

Number of people required to assemble

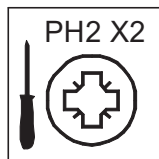
Two people are required to assemble this item



Time to assemble : 30 minutes



Tools required



not supplied

Do's

We suggest you spend a short time reading through this leaflet before you start.

When you are ready to start, make sure that you have the right tools and plenty of space.

Unwrap all packaging materials and place the components on a clean surface to protect it from damage, We recommend that the packaging is used to protect the surfaces during assembly.

Carefully check that you have all the parts before beginning assembly.

Due to the size of this product we recommend that it is assembled in the room intended for use.

Ensure the product is fully assembled as illustrated and all fixings fully tightened before use.

Wipe occasionally with a soft cloth slightly dampened with water. Then buff with a dry clean soft cloth.

Wood will mellow and change colour over time, we recommend that ornaments and items placed on the surface are moved regularly for the first few months to prevent uneven mellowing.

Don'ts

Do not drag or pull your furniture.

Do not rub or scrub the surface when cleaning.

Do not use silicone based furniture polish. Silicone in furniture polishes can break down the finish.

Never allow any kind of liquid to remain on your furniture. Absorption can cause wood to warp or finishes to de-laminate.

Do not place hot items (e.g. hot drinks) directly on to the wood surface. Please make sure you use a placemat or coaster.

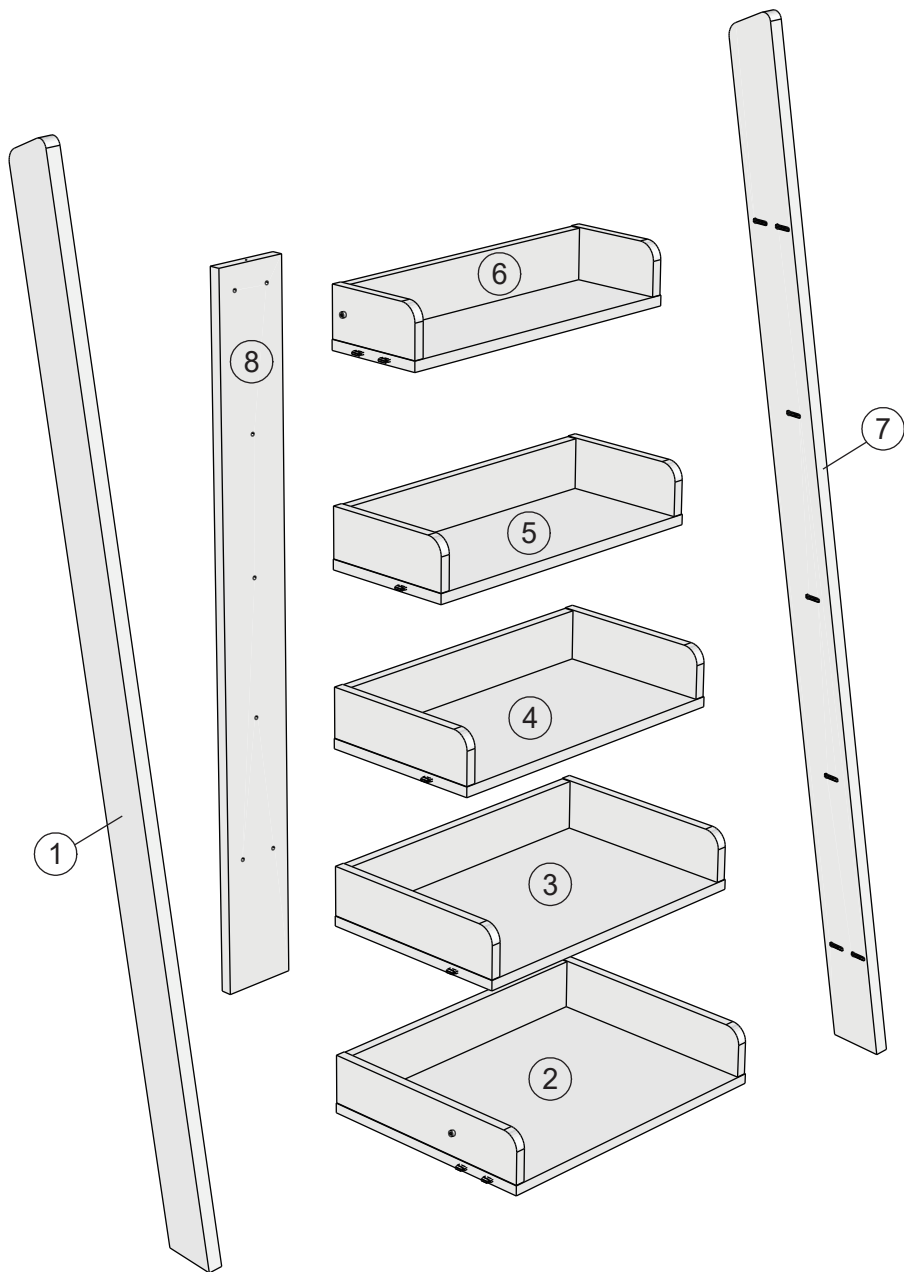
NEXT

BRONX BLACK LADDER SHELF

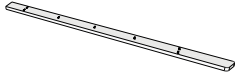
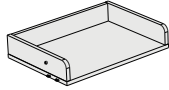
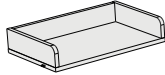
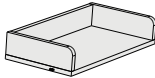
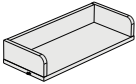
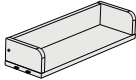
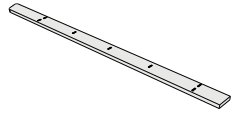
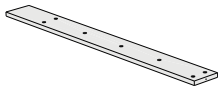
C29826

Assembly instructions

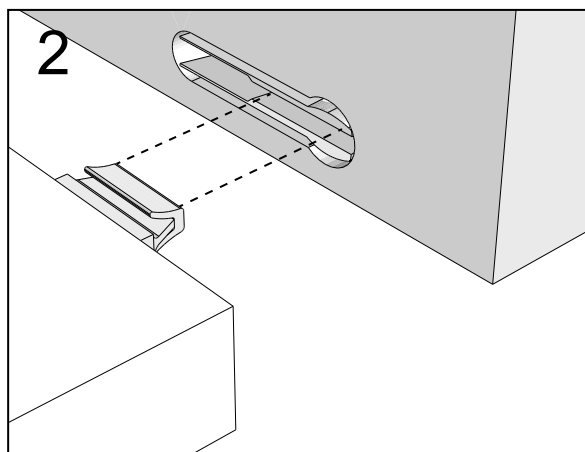
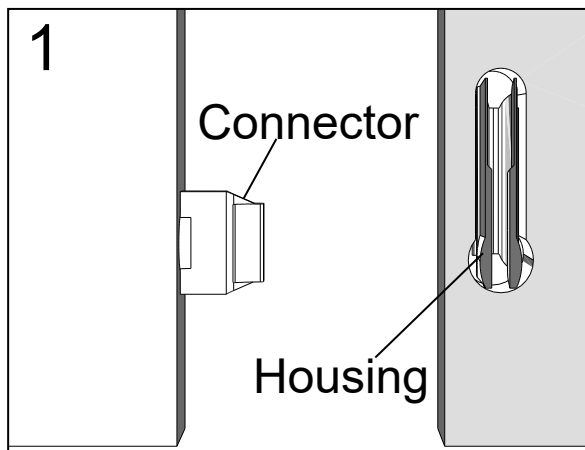
GETTING TO KNOW YOUR PRODUCT



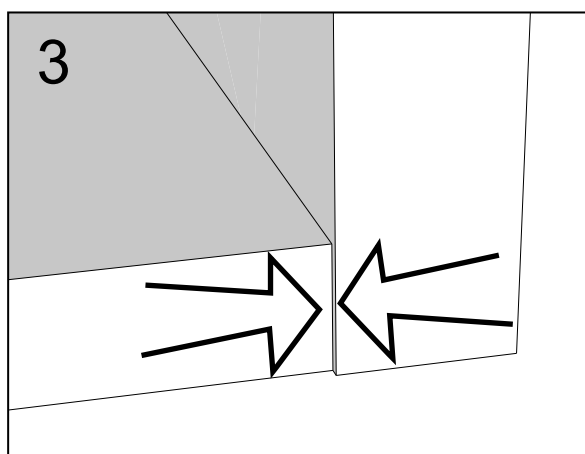
Components supplied. Please use this guide if you require replacement parts.

Ref	Dimensions	Visual	Qty	Ctn
1	9.5x182cm		1	1
2	35.5x49cm		1	1
3	30.5x49cm		1	1
4	25.5x49cm		1	1
5	20.5x49cm		1	1
6	15.5x49cm		1	1
7	9.5x182cm		1	1
8	12.5x152cm		1	1

NEXT FITTINGS ASSEMBLE INSTRUCTIONS



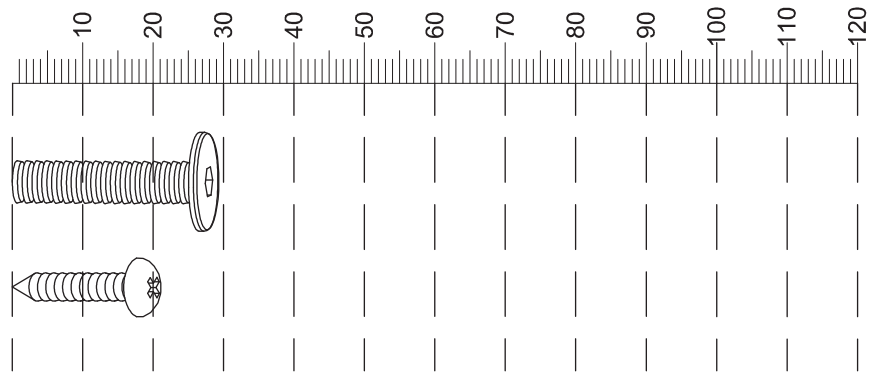
Push connector into housing to be jointed.



Make sure there is no gap between the panels.

**Fixtures and fittings
supplied (actual size)**

Ref	Dimensions	Qty	Spare Qty
V47	Ø6 x 25mm	7	1
S41	Ø4 x 16mm	1	1



Fixtures and fittings supplied (not to scale)

Ref	Dimensions	Qty	Spare Qty	Visual
T4	N/A	2	N/A	
N1	N/A	1	N/A	

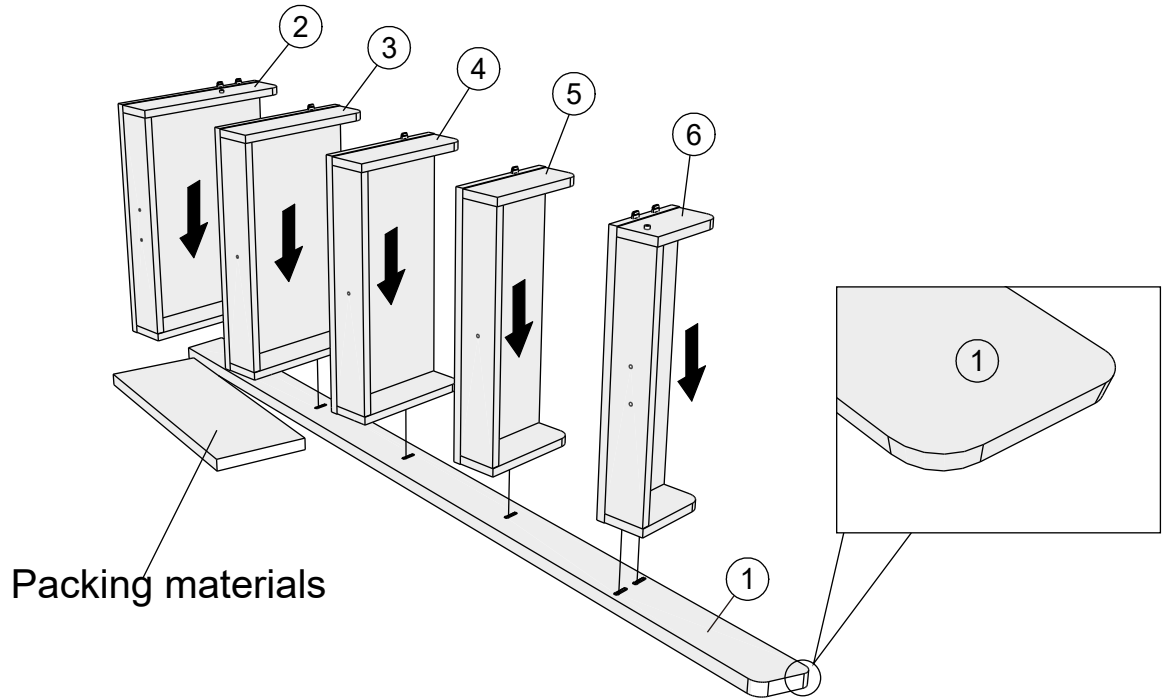
NEXT

BRONX BLACK LADDER SHELF

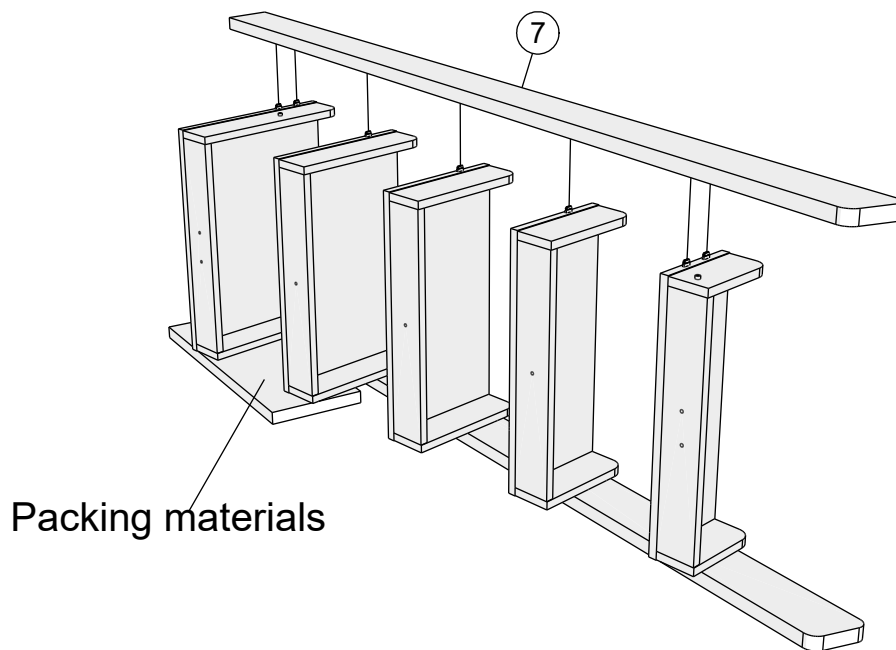
C29826

Assembly instructions

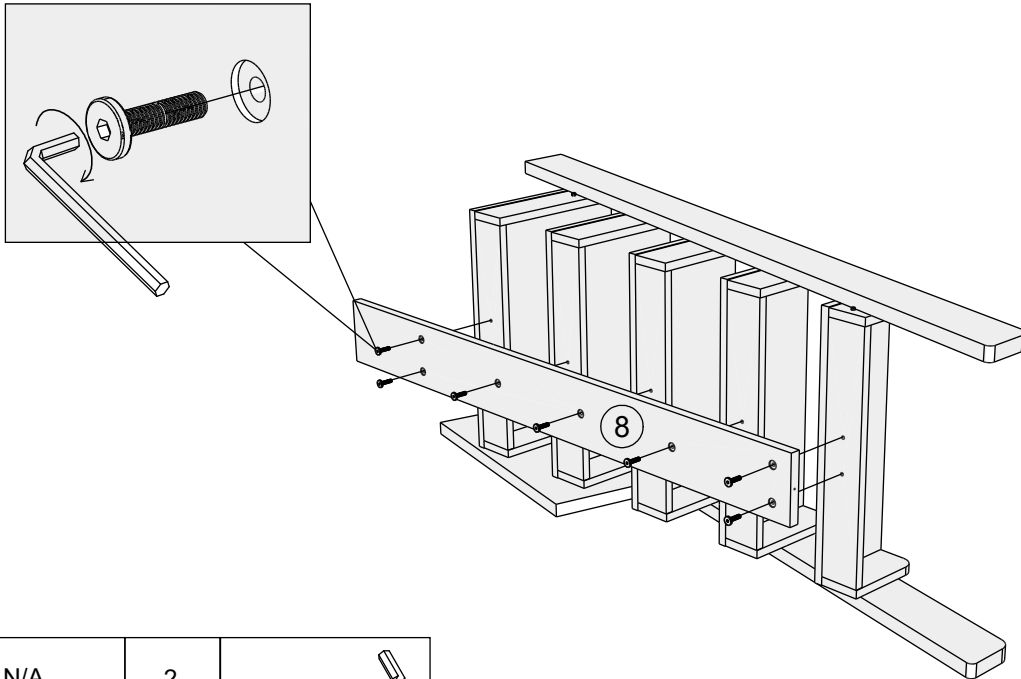
1


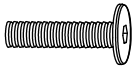


2

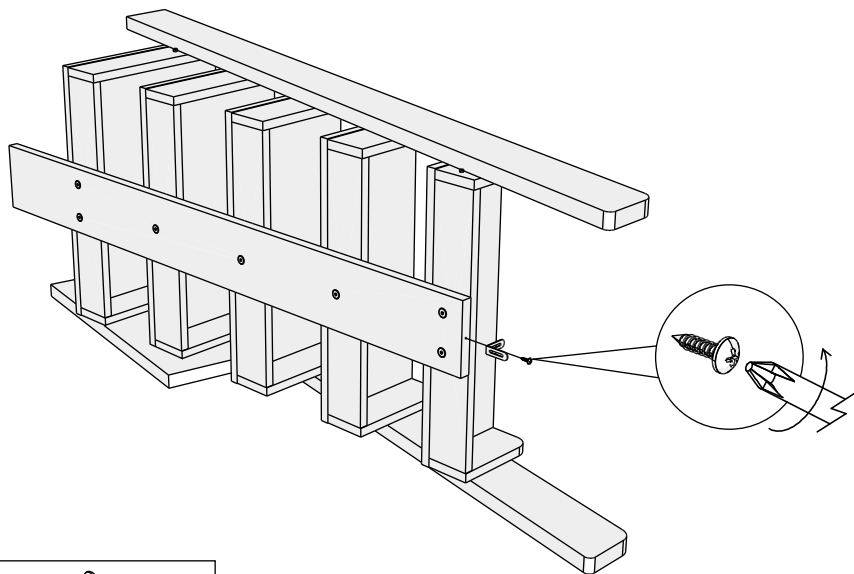





3



T4	N/A	2	
V47	Ø6 x 25mm	7	

4



N1	N/A	1	
S41	Ø4 x 16mm	1	  not supplied

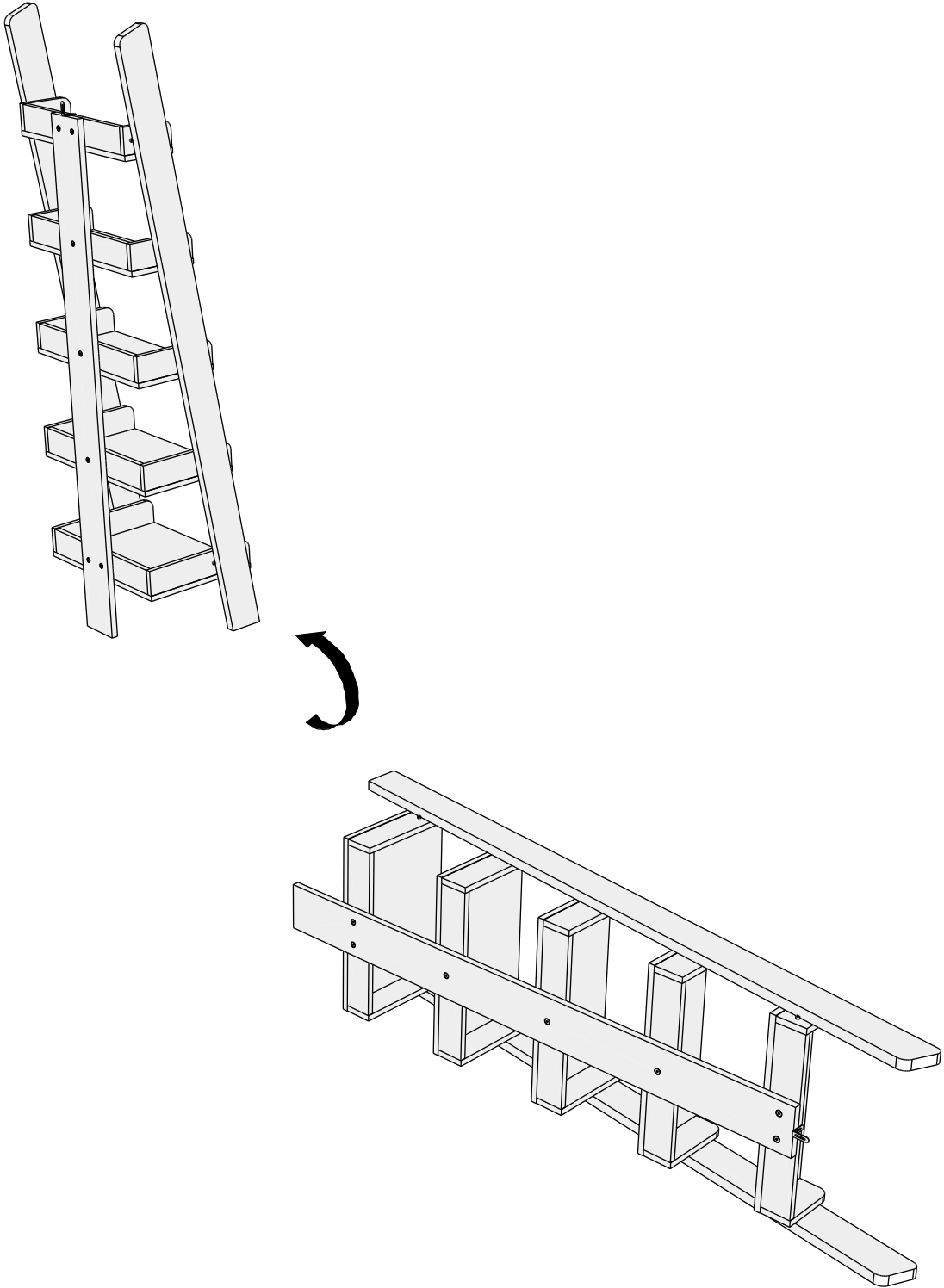
NEXT

BRONX BLACK LADDER SHELF

C29826

Assembly instructions

5

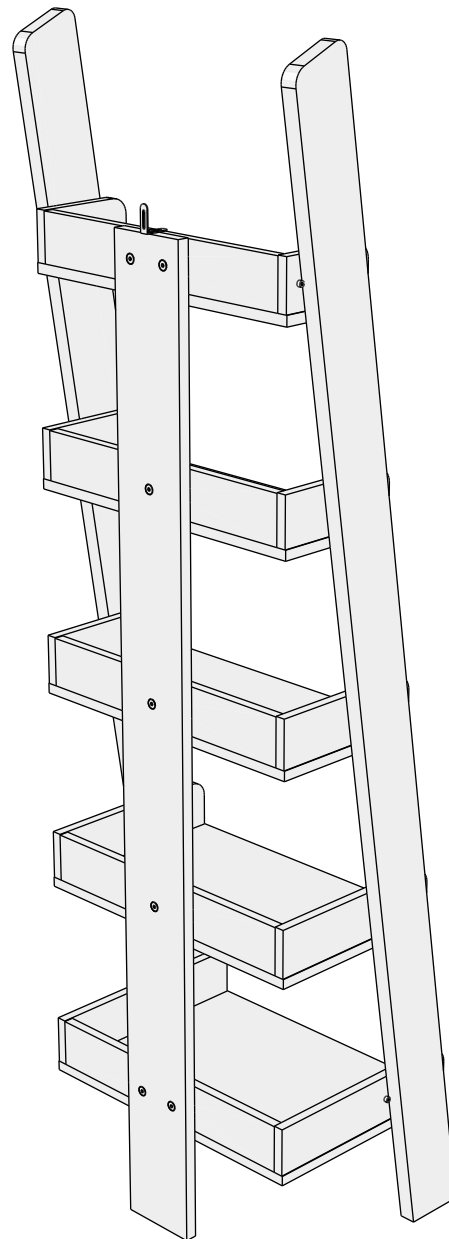
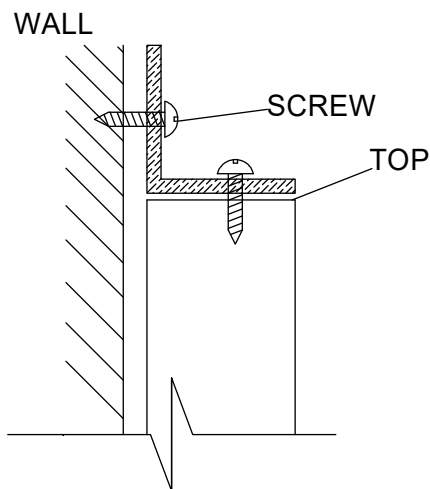


6

We recommend the use of the wall attachment bracket/strap provided for safety reasons. Move unit into desired position. Secure the 1X"L" metal brackets to the wall with an appropriate screw and wall plug for your wall type (not provided).

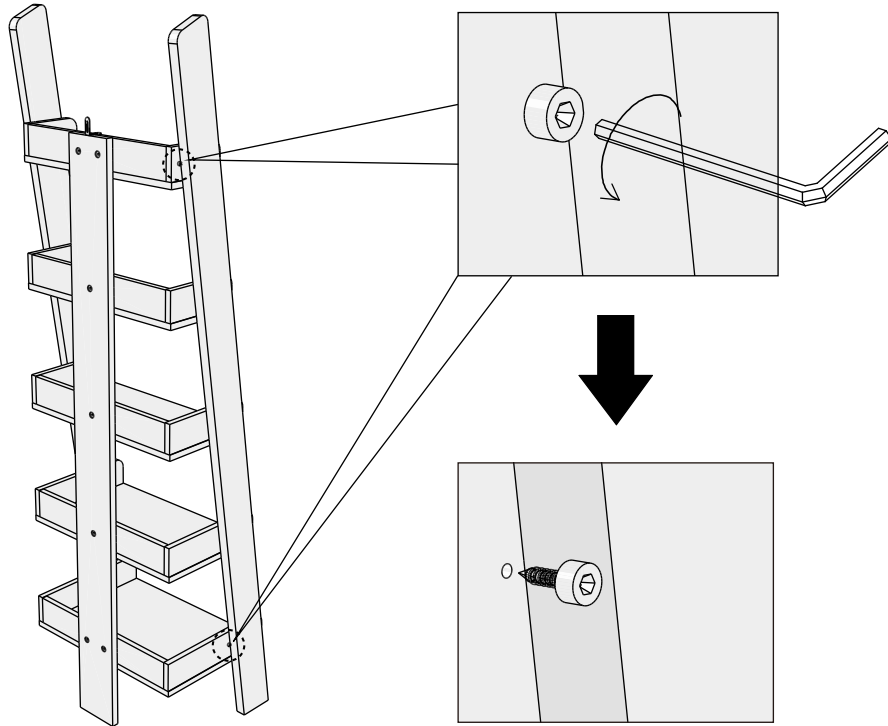
Warning: Always ensure intended wall area to be drilled is free from hidden electrical wires, water and gas pipes.

NB: Wall fixings are not included-Please source suitable fixing for your wall type. If in doubt please consult a qualified trades person.

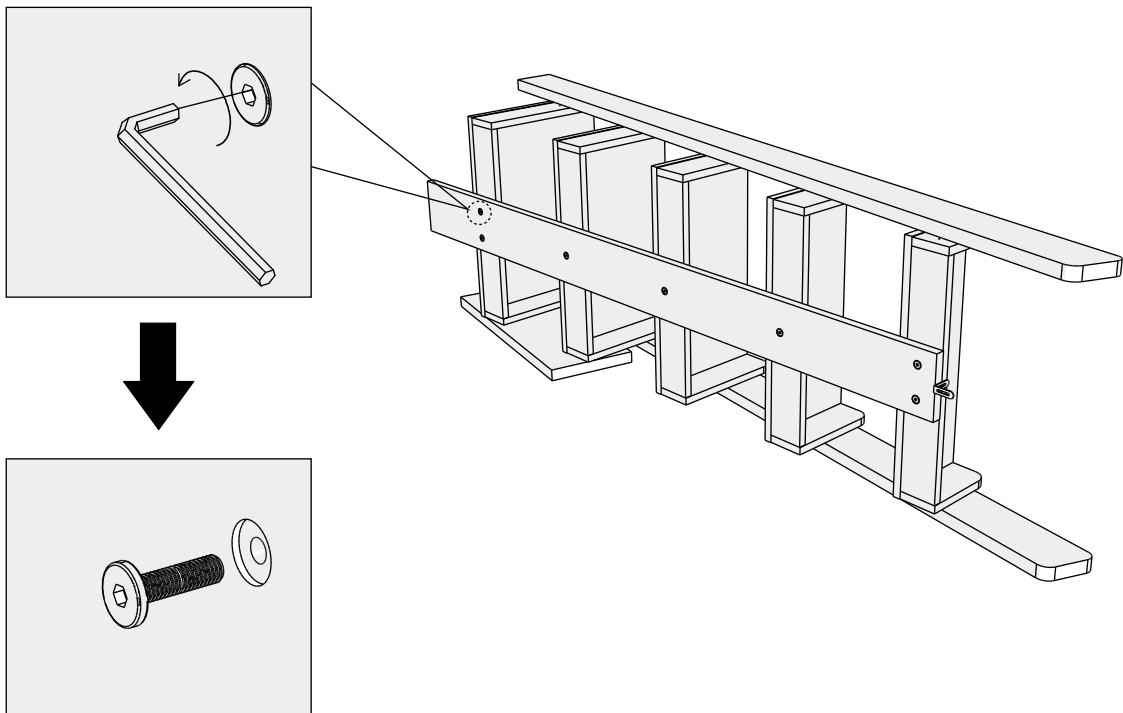


7

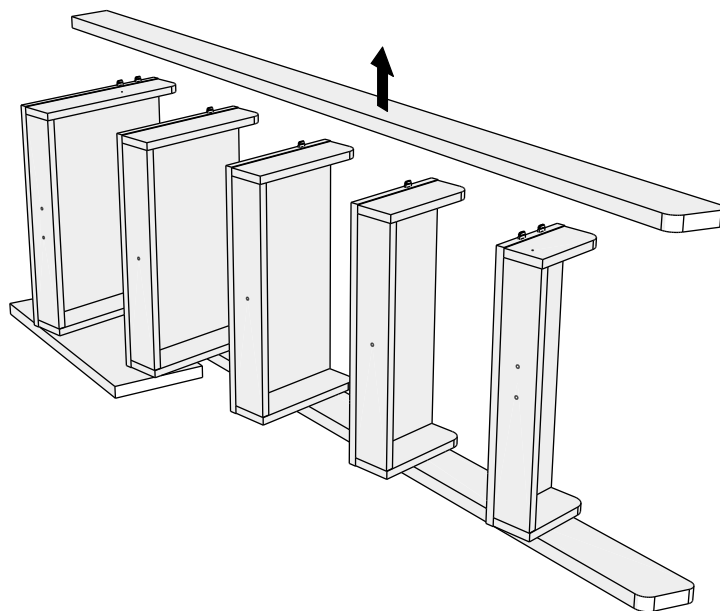
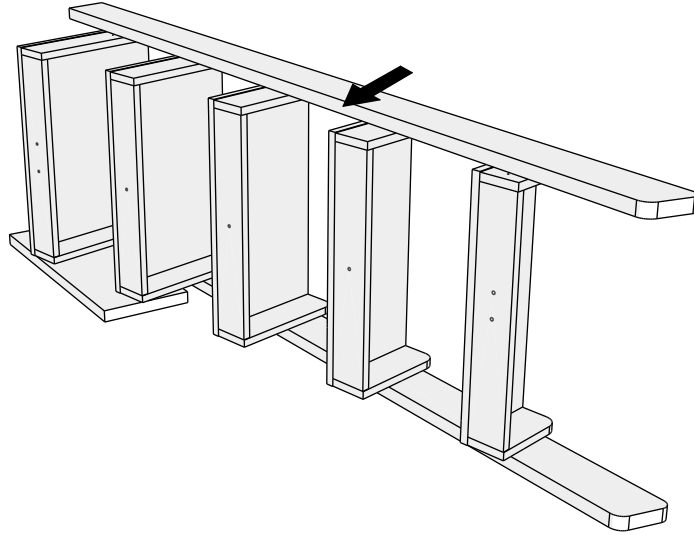
To disassemble:



8



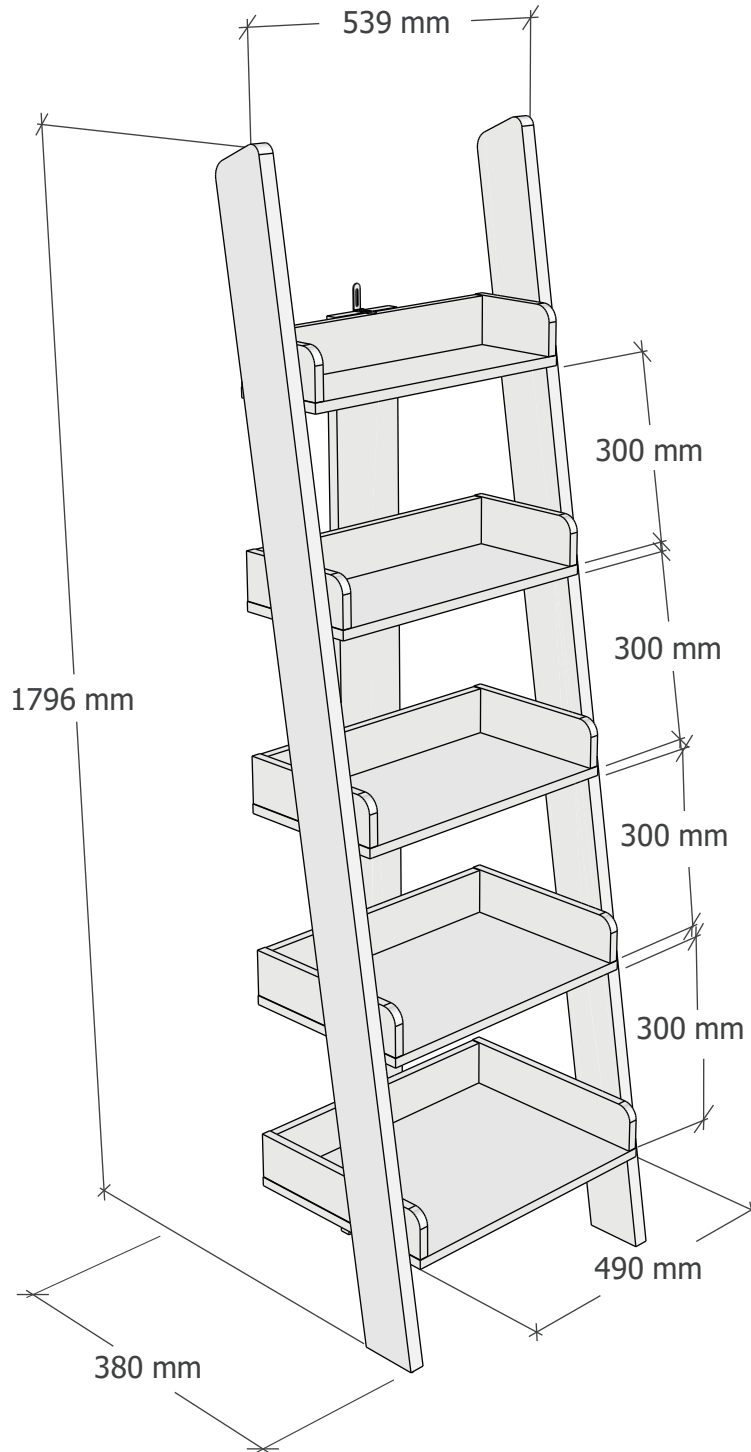
9



NEXT

BRONX BLACK LADDER SHELF C29826

Actual product size
H179.5 x W54 x D38cm



NEXT

BRONX BLACK LADDER SHELF C29826

Warnings

We suggest you retain these instructions for future reference.

Keep fittings out of children's reach and keep children well away from construction area.

This product should only be used on firm level ground.

Please periodically check all fittings and re-tighten as necessary.

Please do not sit or stand on your furniture.

Avoid exposing the furniture to excessive heat or direct sunlight as this can cause deterioration of the colour.

Unwrap all packaging materials and place the components on top of the carton box or on a clean floor to protect it from damage

Missing parts

If you are missing any fixtures and fittings for your product. Please contact our customer service team on 0333 777 8999 and they will be happy to arrange for a replacement to be sent to you free of charge.

Home service technicians

If you have a fault with your product, please contact our customer service team on 0333 777 8999. If you have had the product for 28 days or less you may be offered a replacement, refund or for a fully trained home service technician to visit your home to assess the fault and repair the product where possible. If you have had the product for more than 28 days we will send an independent home service technician to review and repair the product where possible and recommend further action.

You can write to us at

Home Customer Services
Next Retail Ltd.
Desford Road,
Leicester,
LE19 4AT

To view our full furniture range please visit www.next.co.uk

BRONX BLACK LADDER SHELF

REPACK INSTRUCTION

