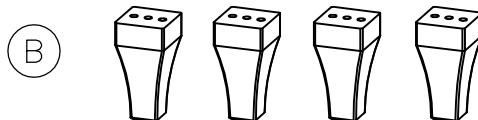
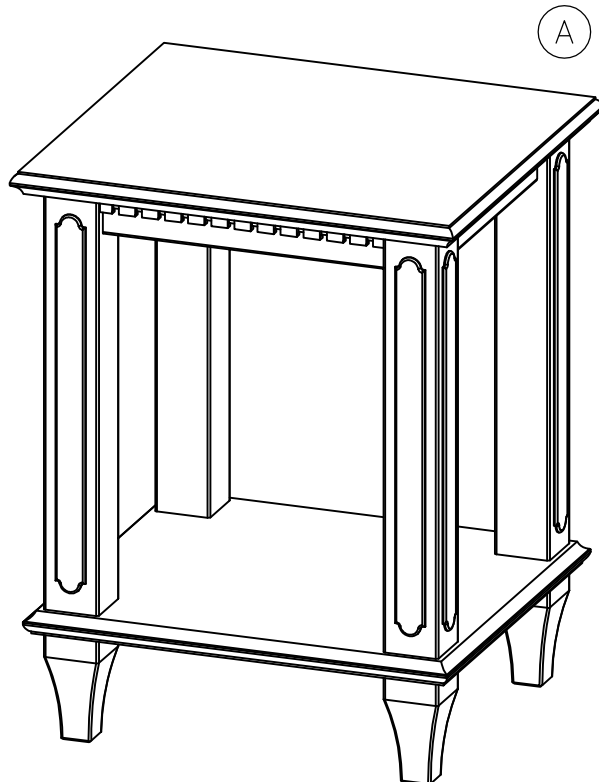
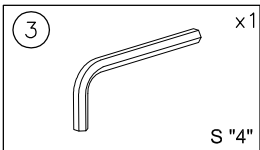
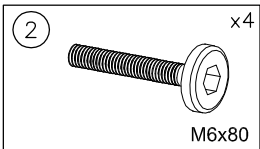
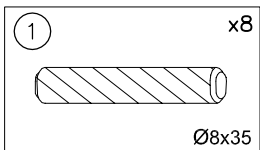
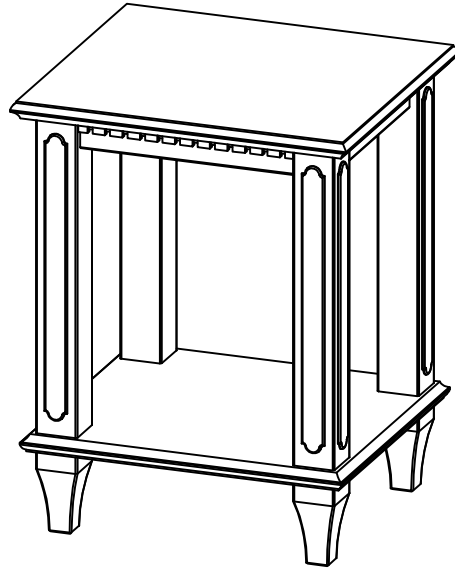
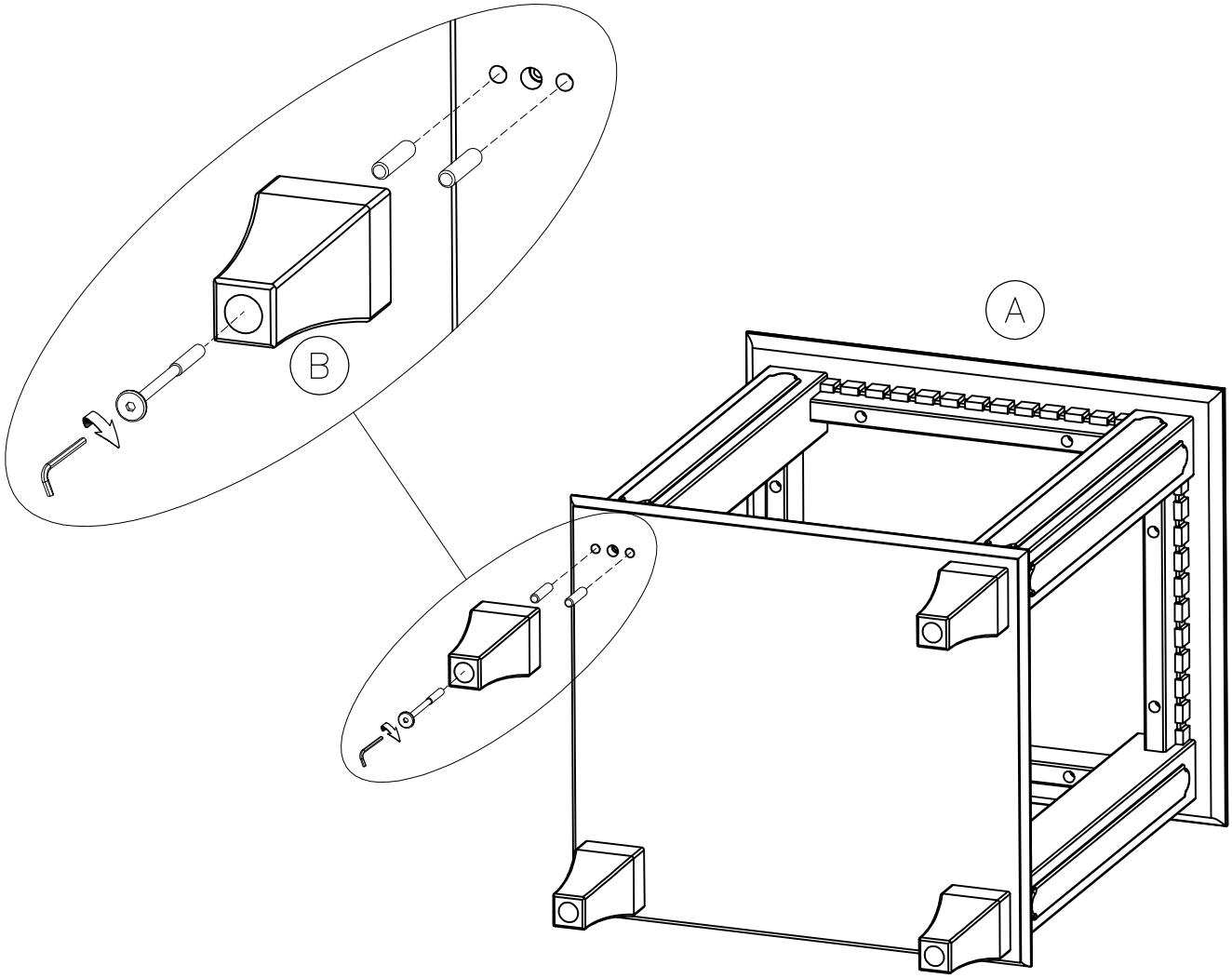
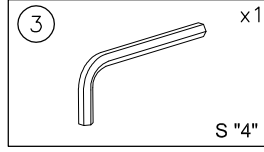
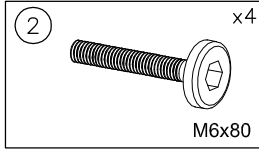
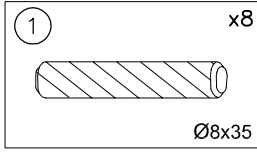


# ASSEMBLY INSTRUCTION

## HANOVER SIDE TABLE GSV0101



1



2

