

# NEXT

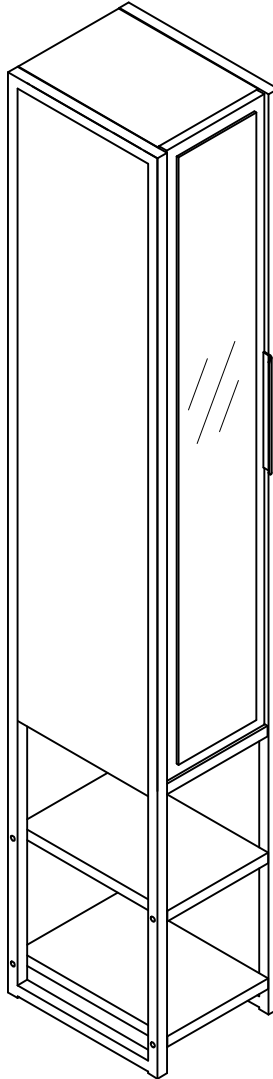
## BRONX MIRRORED TALL UNIT

C51006

Assembly instructions

**Actual product size**

H160 x W24 x D30cm



**IMPORTANT -  
RETAIN FOR FUTURE REFERENCE**

**Need Help ?**

With: Assembly instruction  
Missing or damaged parts

**CALL: 0333 777 8999**

### BEFORE YOU START

#### Number of people required to assemble

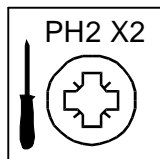
Two people are required to assemble this item



**Time to assemble : 30 minutes**



#### Tools required



not supplied

#### Do's

We suggest you spend a short time reading through this leaflet before you start.

When you are ready to start, make sure that you have the right tools and plenty of space.

Unwrap all packaging materials and place the components on a clean surface to protect it from damage, We recommend that the packaging is used to protect the surfaces during assembly.

Carefully check that you have all the parts before beginning assembly.

Due to the size of this product we recommend that it is assembled in the room intended for use.

Ensure the product is fully assembled as illustrated and all fixings fully tightened before use.

Wipe occasionally with a soft cloth slightly dampened with water. Then buff with a dry clean soft cloth.

Wood will mellow and change colour over time, we recommend that ornaments and items placed on the surface are moved regularly for the first few months to prevent uneven mellowing.

#### Don'ts

Do not drag or pull your furniture.

Do not rub or scrub the surface when cleaning.

Do not use silicone based furniture polish. Silicone in furniture polishes can break down the finish.

Never allow any kind of liquid to remain on your furniture.  
Absorption can cause wood to warp or finishes to de-laminate.

Do not place hot items (e.g. hot drinks) directly on to the wood surface. Please make sure you use a placemat or coaster.

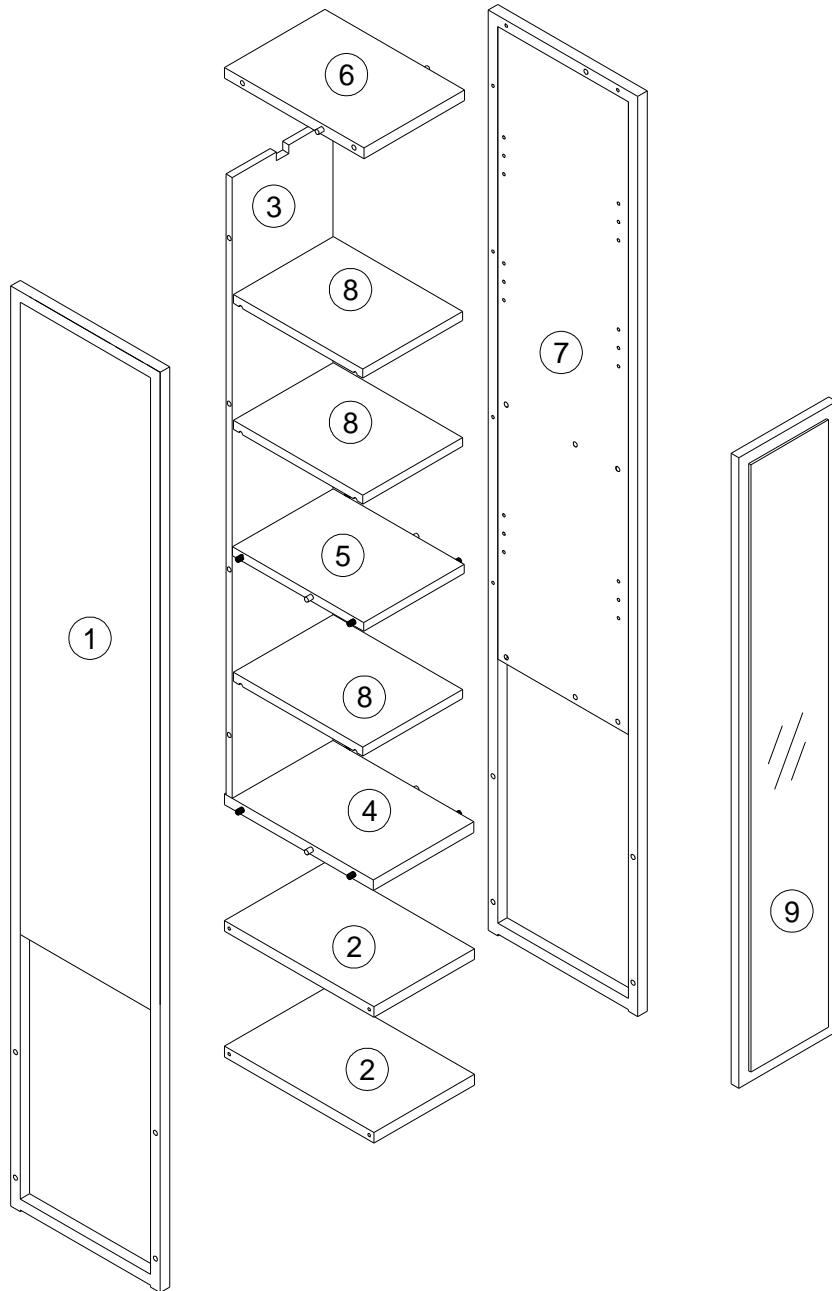
# NEXT

## BRONX MIRRORED TALL UNIT

C51006

Assembly instructions

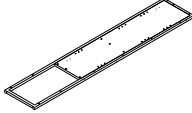
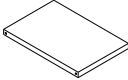

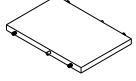
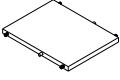
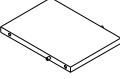
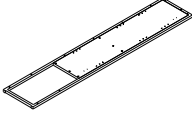
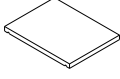
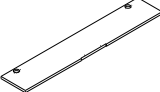
### GETTING TO KNOW YOUR PRODUCT



# NEXT BRONX MIRRORED TALL UNIT

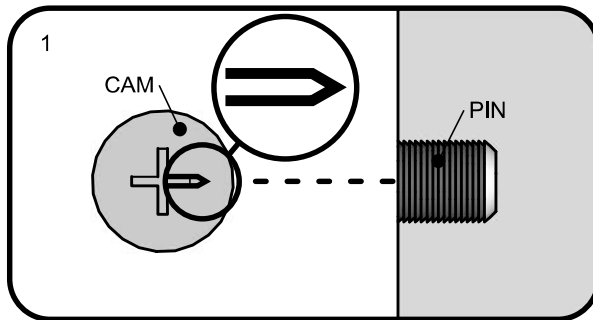
C51006  
Assembly instructions

Components supplied. Please use this guide if you require replacement parts.

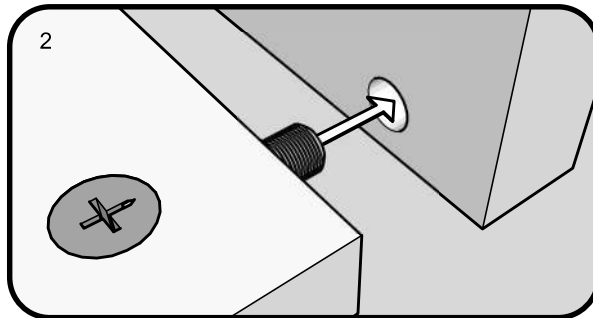
Ref	Dimensions	Visual	Qty	Ctn
1	30x160cm		1	1
2	20x30cm		2	1
3	20x108cm		1	1
4	20x30cm		1	1
5	20x26.5cm		1	1
6	20x28cm		1	1
7	30x160cm		1	1
8	20x26cm		3	1
9	19.5x109.5cm		1	1

# NEXT

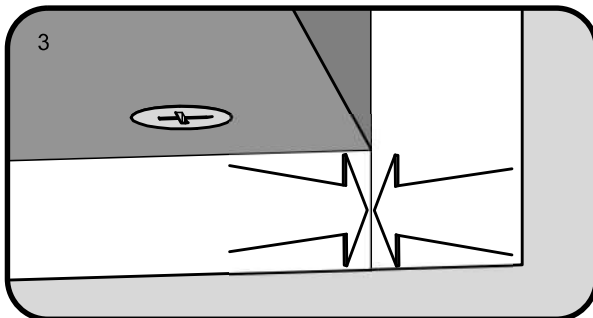
## TITUS TIGHTENING INSTRUCTIONS



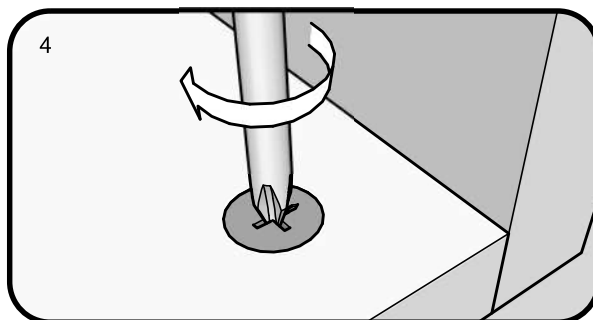
Line up the arrow on the CAM with the PIN.



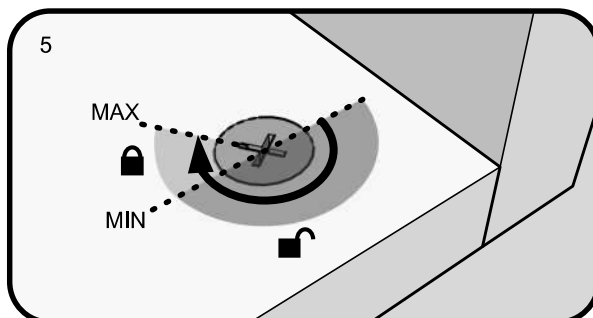
Push the pins into the holes in the panel to be joined.



Make sure there is no gap between the panels.



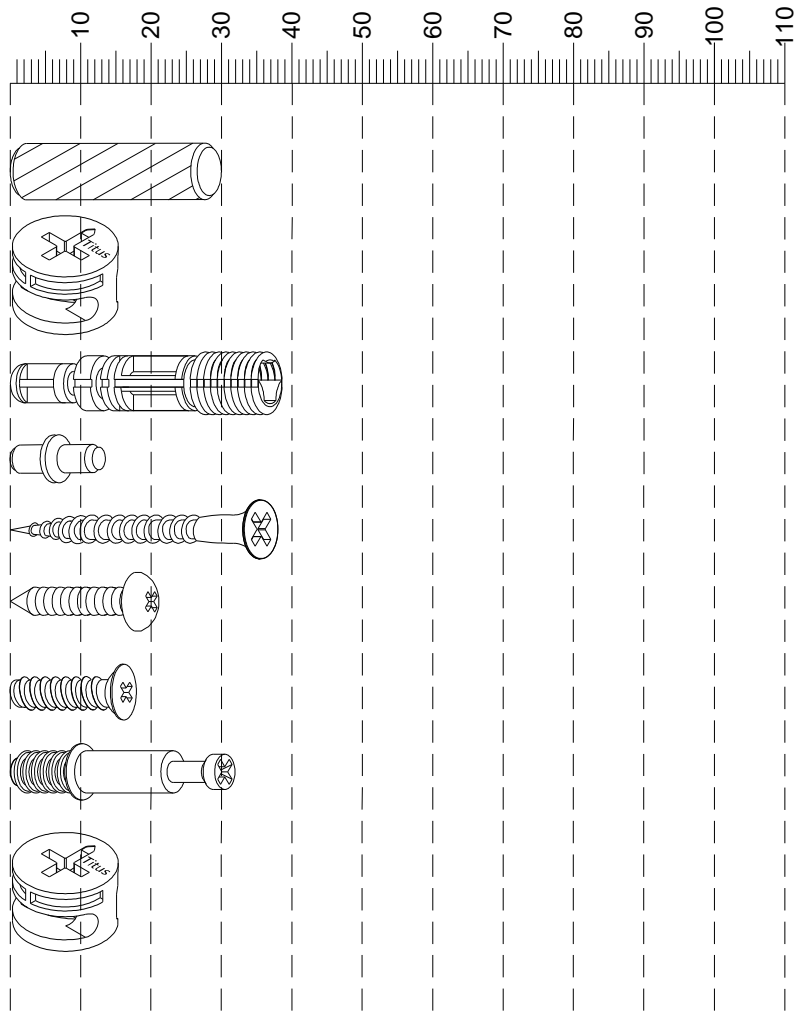
Use a cross-point screwdriver (PH2 or PZ2 is ideal) to tighten the cams and lock the panels together.



The panels are locked when each cam is turned to between 1/2 and 2/3 of a full turn (Maximum rotation)

#### Fixtures and fittings supplied (actual size)

Ref	Dimensions	Qty	Spare Qty
D6	Ø8 x 30mm	6 pre assembled	1
B3	Ø15 x 12mm	8 pre assembled	1
B8	Ø8 x 38mm	8 pre assembled	1
P3	Ø5x16mm	12	2
U157	Ø4 x 38mm	8	1
S41	Ø4 x 16mm	1	1
U139	Ø4.5 x 15mm	8	1
B12	Ø7.5 x 33mm	12	2
B2	Ø15 x 10mm	12	2



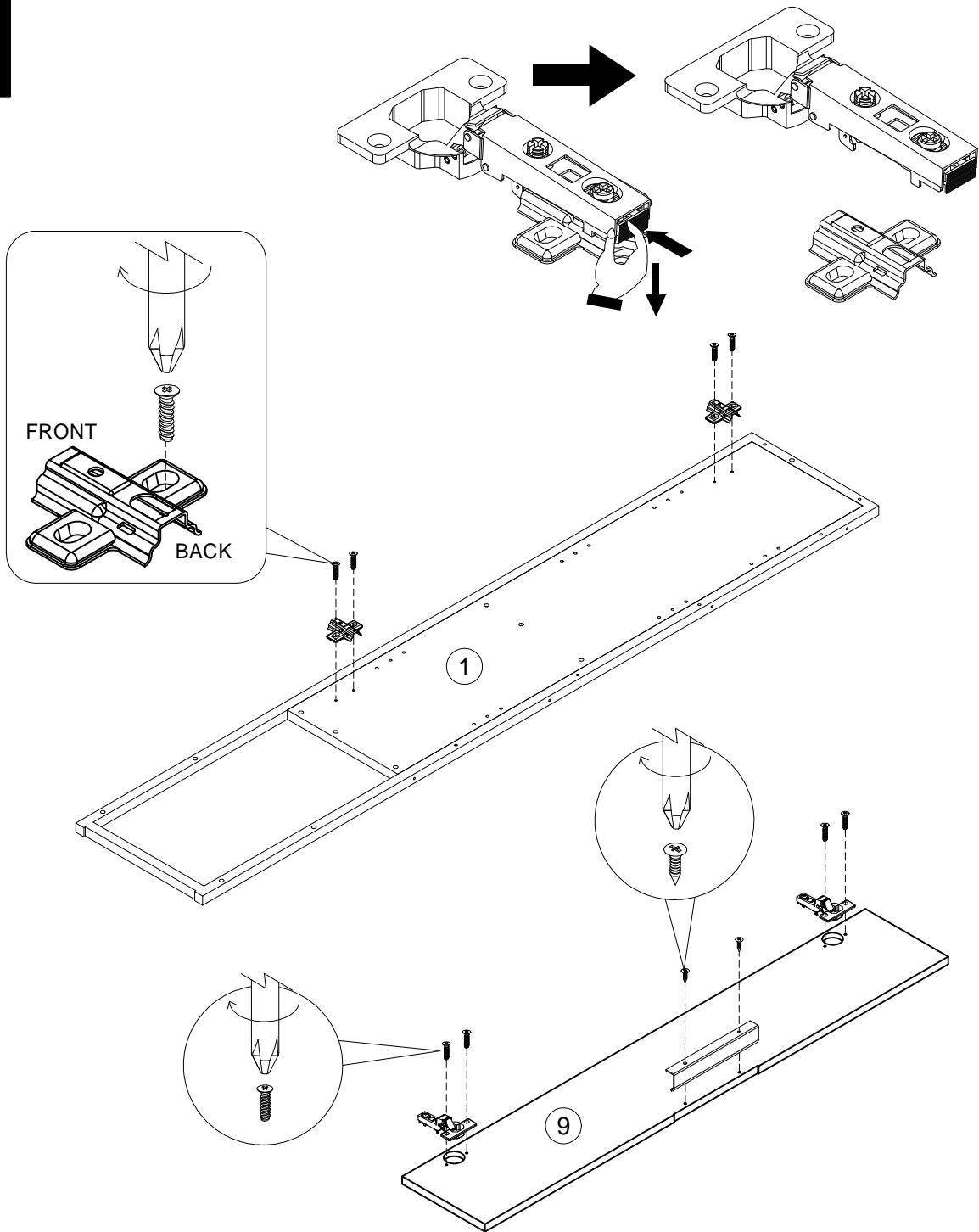
#### Fixtures and fittings supplied ( not to scale)

Ref	Dimensions	Qty	Spare Qty	Visual
E39	N/A	1	N/A	
O1	Ø21mm	12	2	
C11	N/A	2	N/A	
N7	N/A	1	N/A	

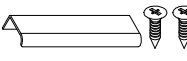




# NEXT BRONX MIRRORED TALL UNIT

C51006  
Assembly instructions

1



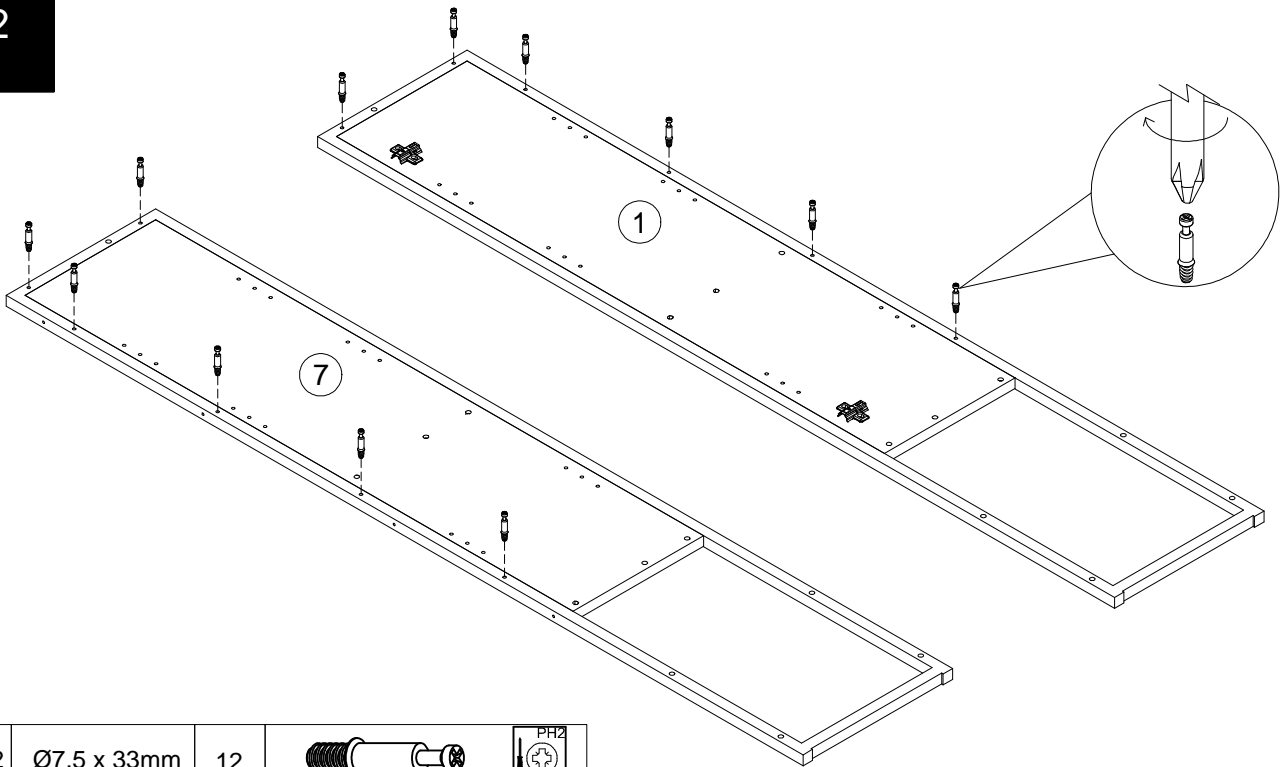
To protect the mirror please place the door panel onto a carpet or a soft surface to avoid damaging the mirror.

E39	N/A	1	  not supplied
U139	Ø4.5 x 15mm	8	  not supplied
C11	N/A	2	

# NEXT BRONX MIRRORED TALL UNIT

C51006  
Assembly instructions

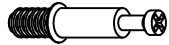
2



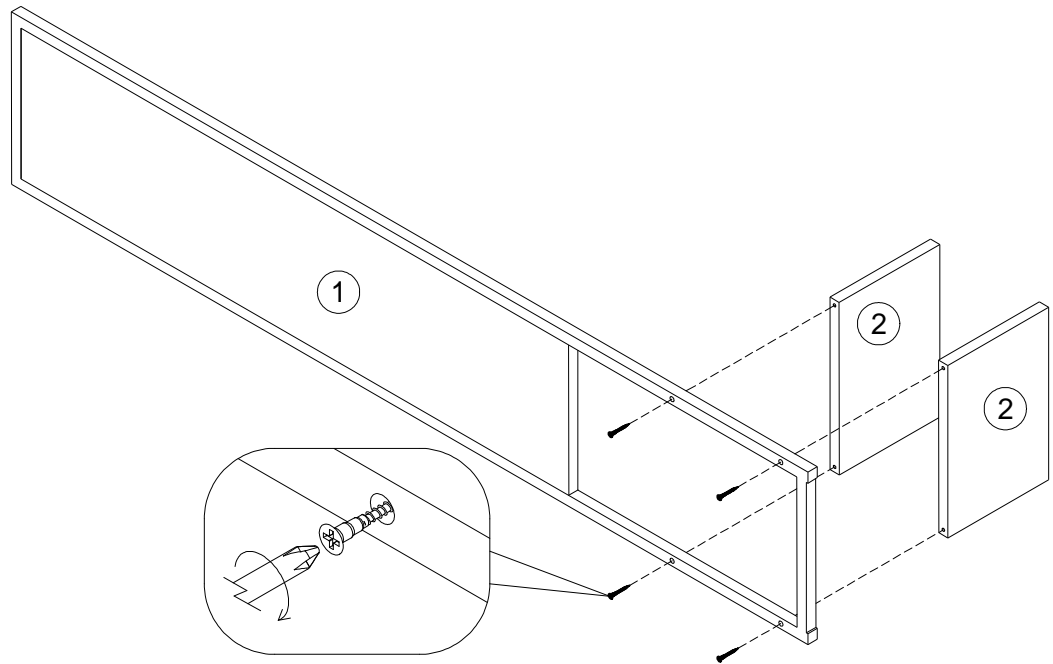
B12

Ø7.5 x 33mm

12



3



U157

Ø4 x 38mm

4

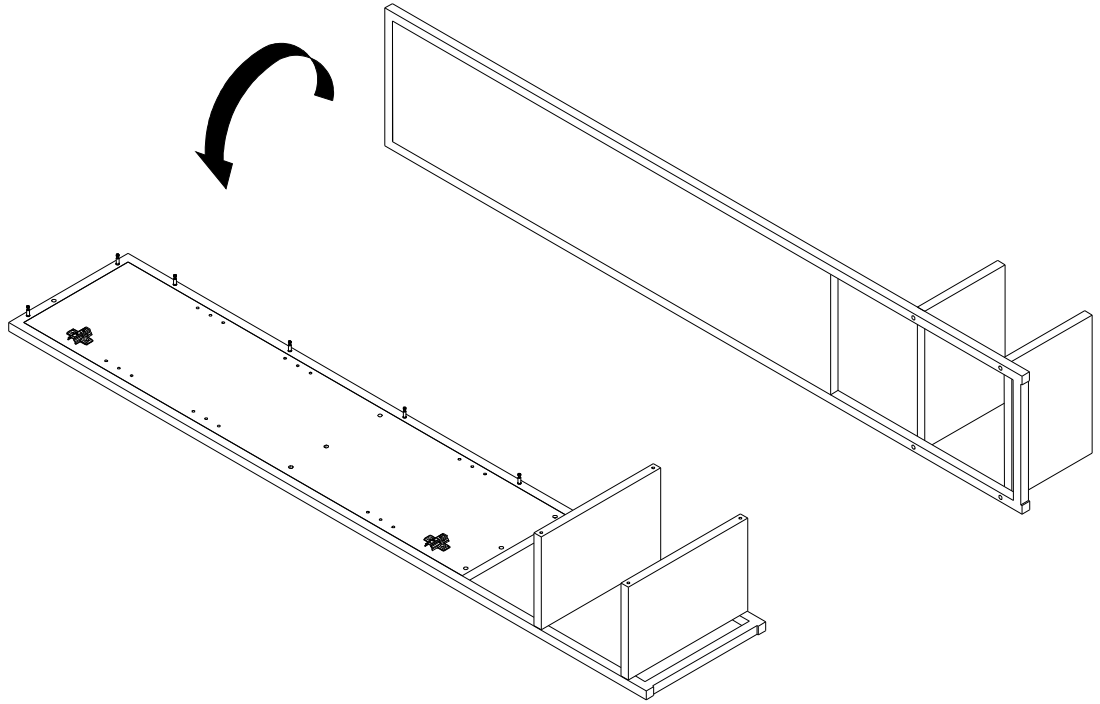




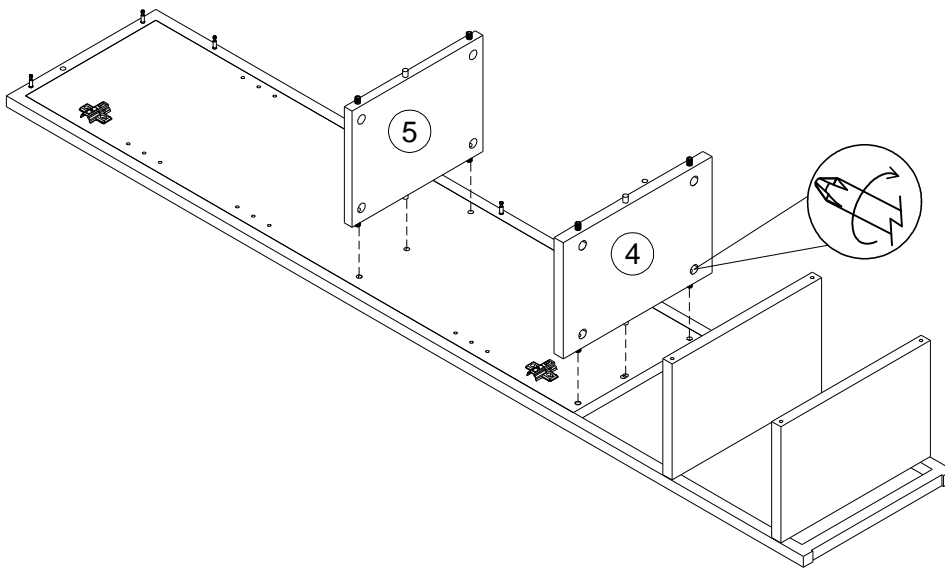
# NEXT BRONX MIRRORED TALL UNIT

C51006  
Assembly instructions

4



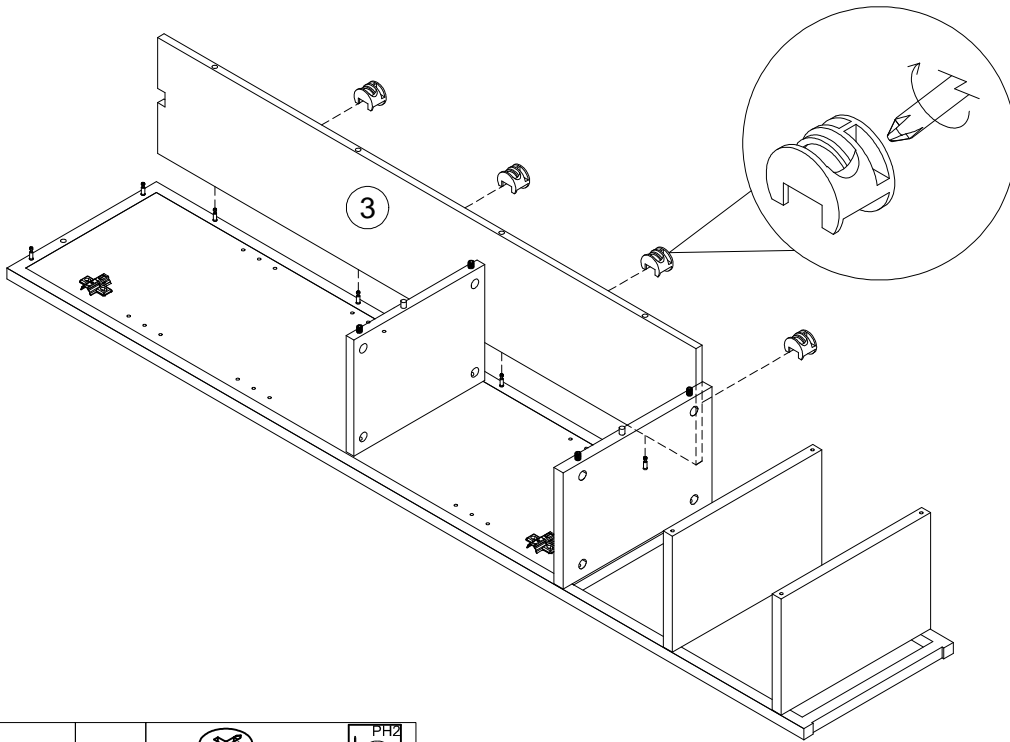
5





# NEXT BRONX MIRRORED TALL UNIT

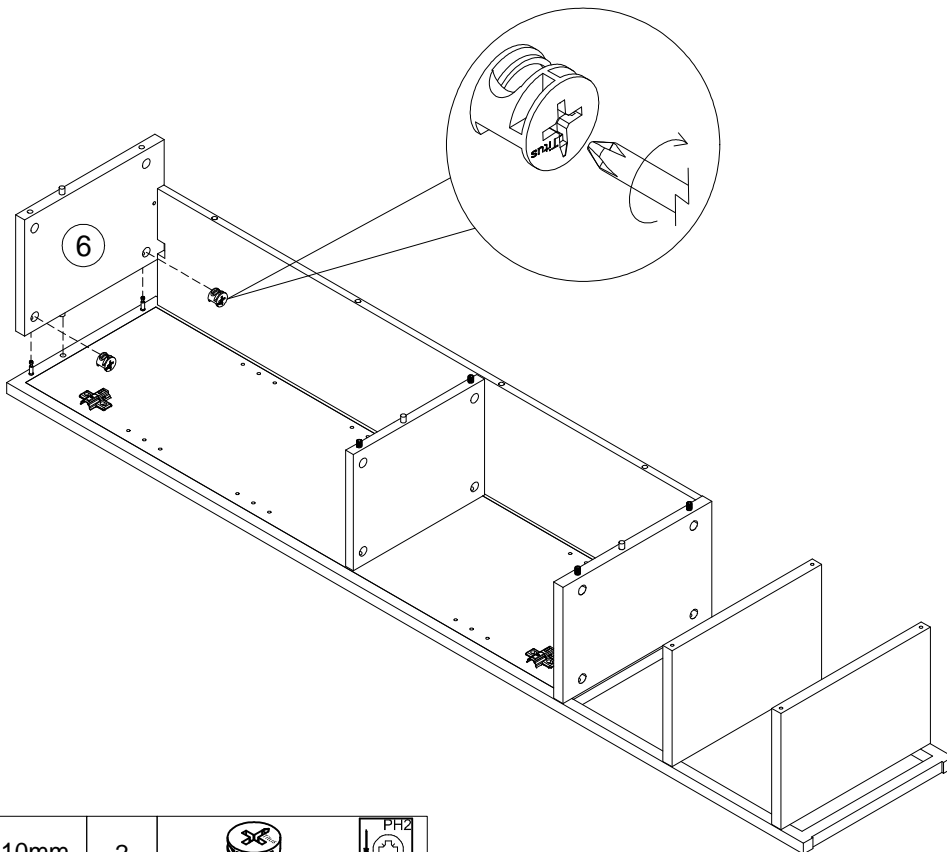
C51006  
Assembly instructions



6



B2	Ø15 x 10mm	4		 not supplied
----	------------	---	---	---

7

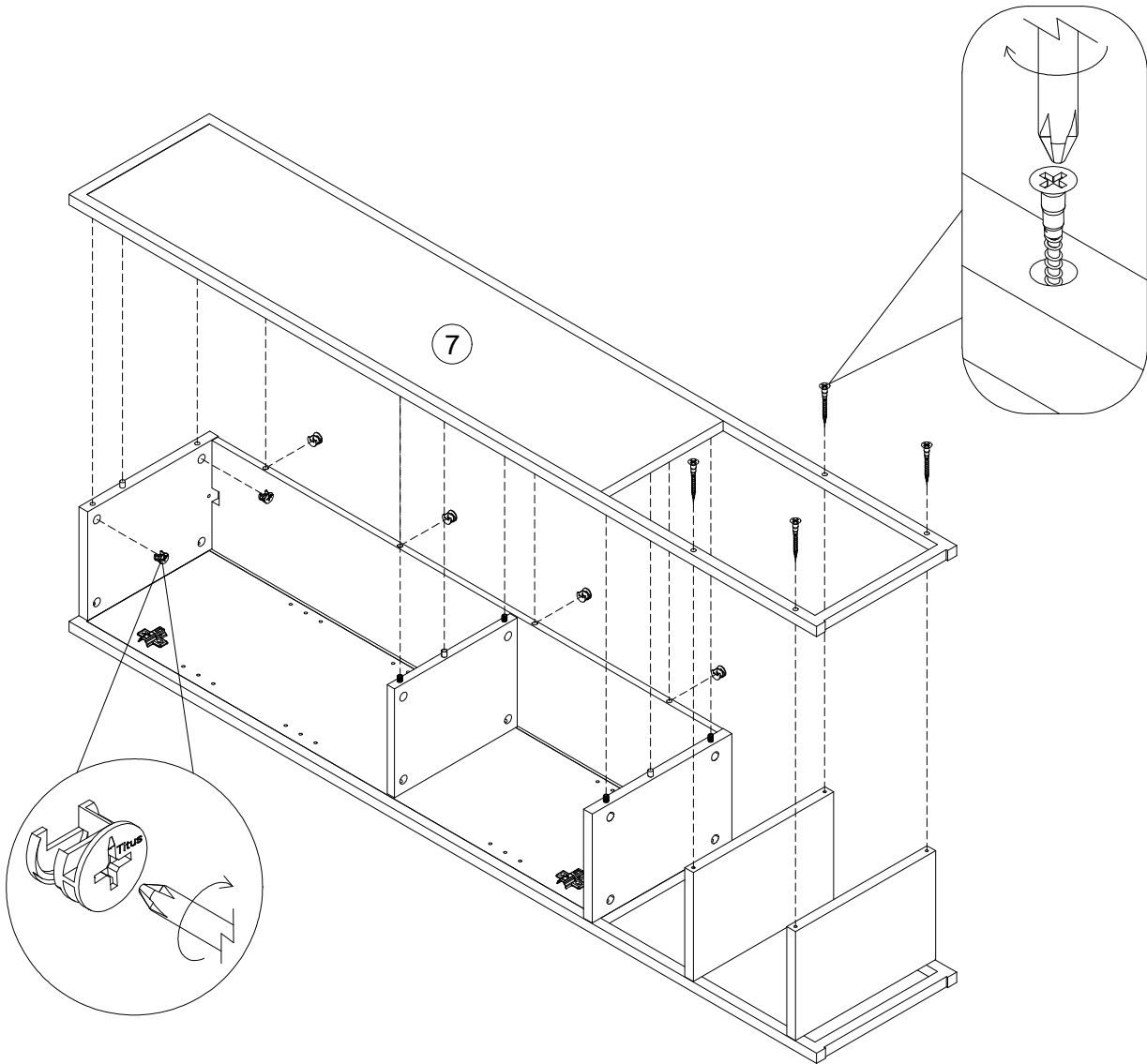





B2	Ø15 x 10mm	2		 not supplied
----	------------	---	---	---

# NEXT BRONX MIRRORED TALL UNIT

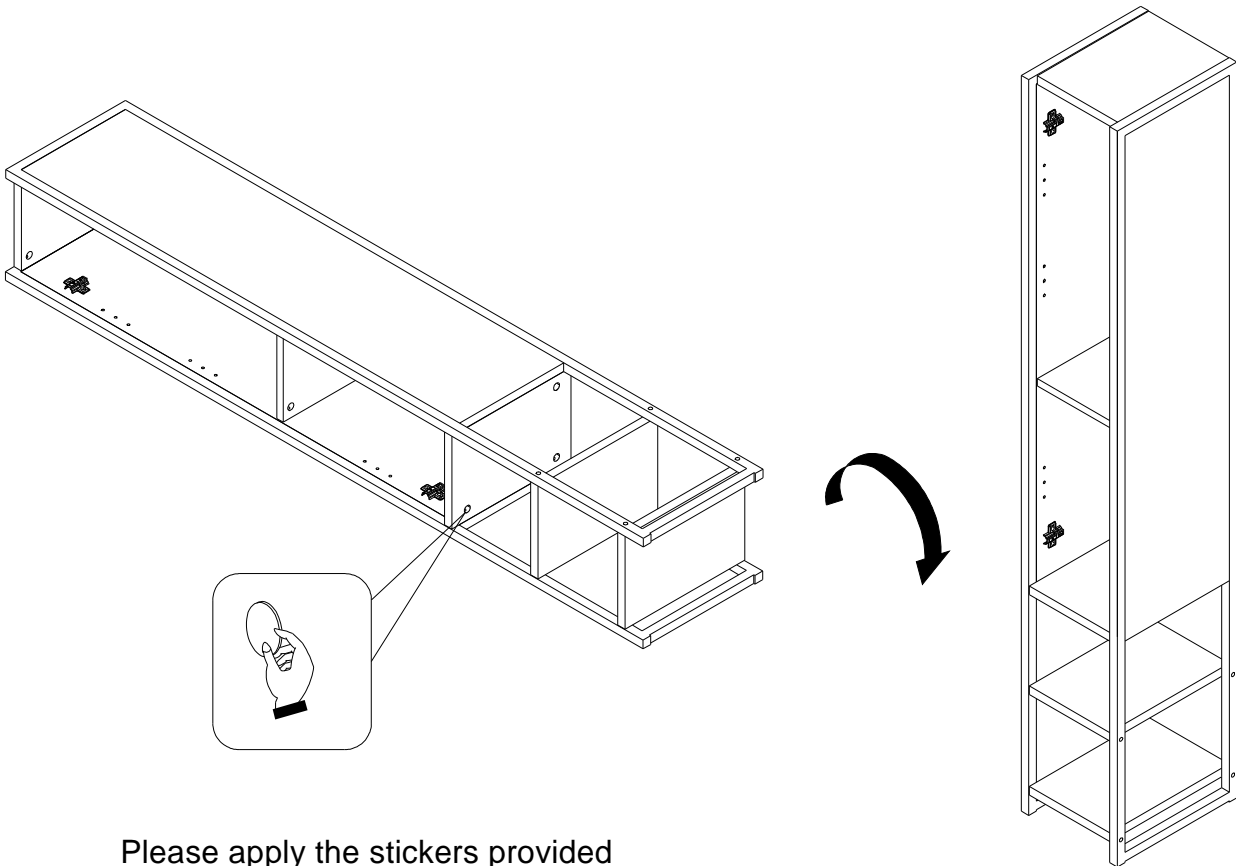
C51006  
Assembly instructions

8



U157	Ø4 x 38mm	4	
B2	Ø15 x 10mm	6	  not supplied

9



Please apply the stickers provided to cover the camlocks as shown on the diagram as an example.

O1

Ø21mm

12



# NEXT BRONX MIRRORED TALL UNIT

## C51006

### Assembly instructions

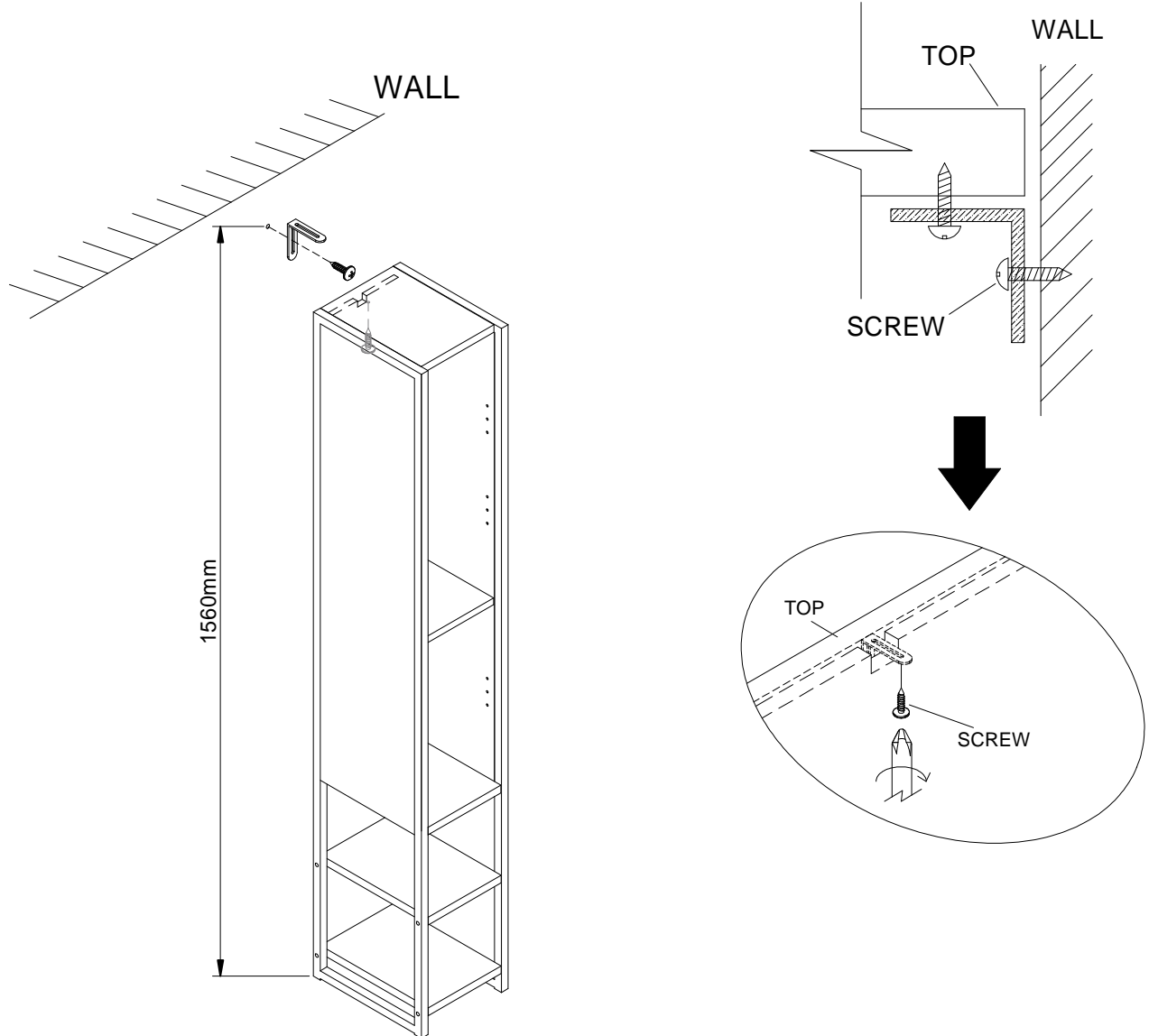
10




We recommend the use of the wall attachment bracket/strap provided for safety reasons. Move unit into desired position. Secure the 1X"L" metal brackets to the wall with an appropriate screw and wall plug for your wall type (not provided).

Warning: Always ensure intended wall area to be drilled is free from hidden electrical wires, water and gas pipes.

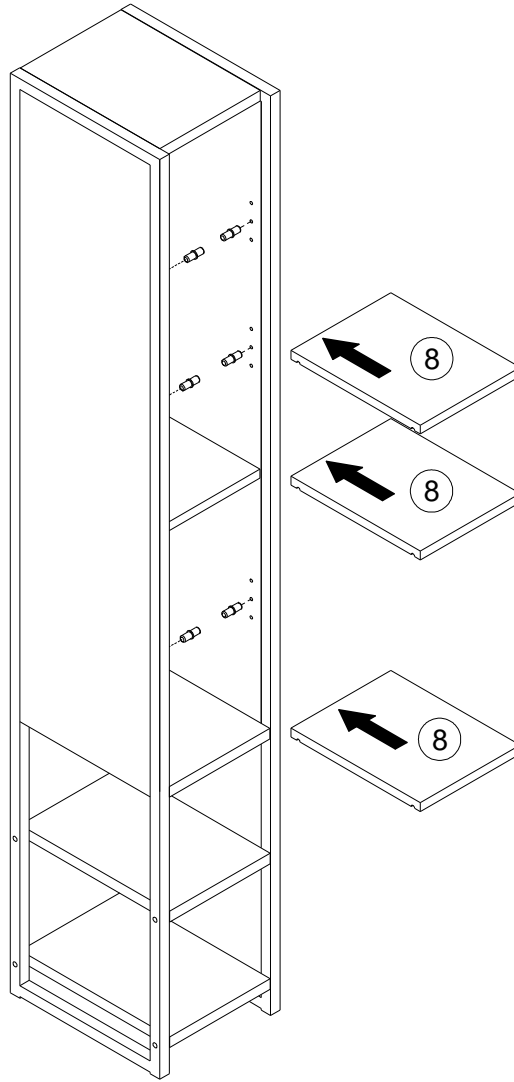
NB: Wall fixings are not included-Please source suitable fixing for your wall type.

If in doubt please consult a qualified trades person.



S41	Ø4 x 16mm	1		 not supplied
N7	N/A	1		

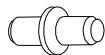
11



P3

Ø5 x 16mm

12



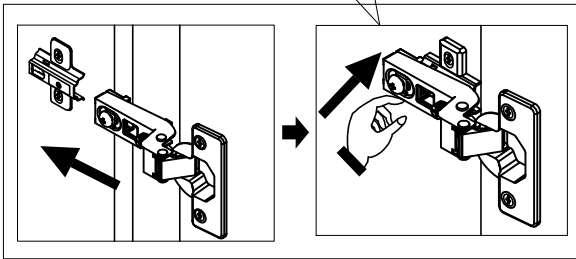
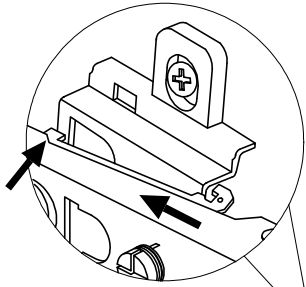
# NEXT BRONX MIRRORED TALL UNIT

C51006  
Assembly instructions

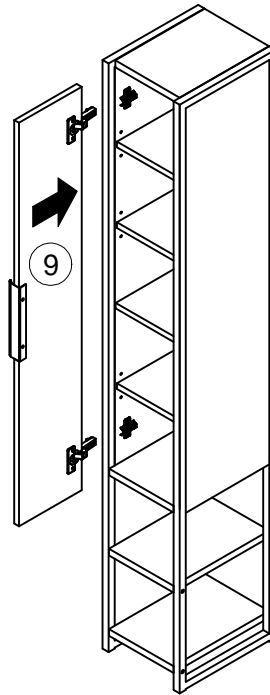
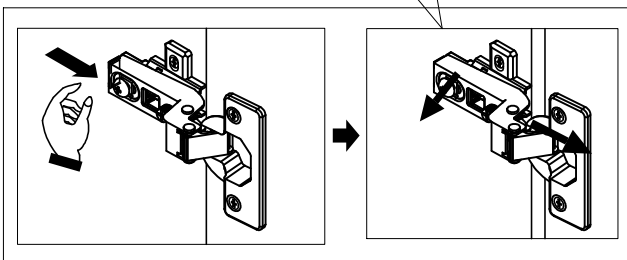
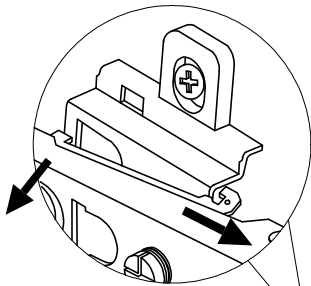
12

To align the door, please adjust the hinges as shown below.

## Install hinge

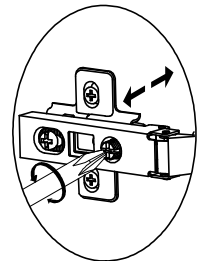


## Remove hinge

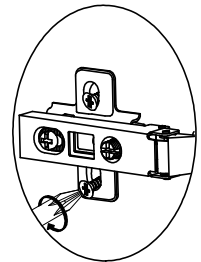
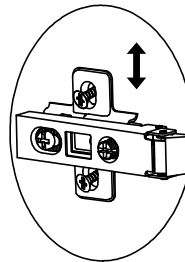
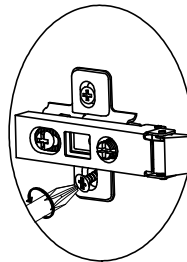


## Adjust Hinge Position

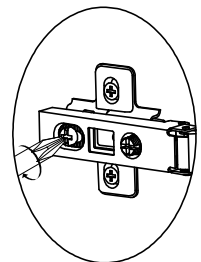
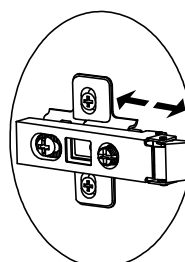
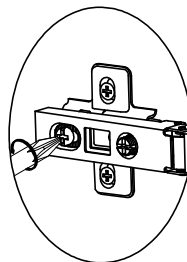
LATERAL



VERTICAL



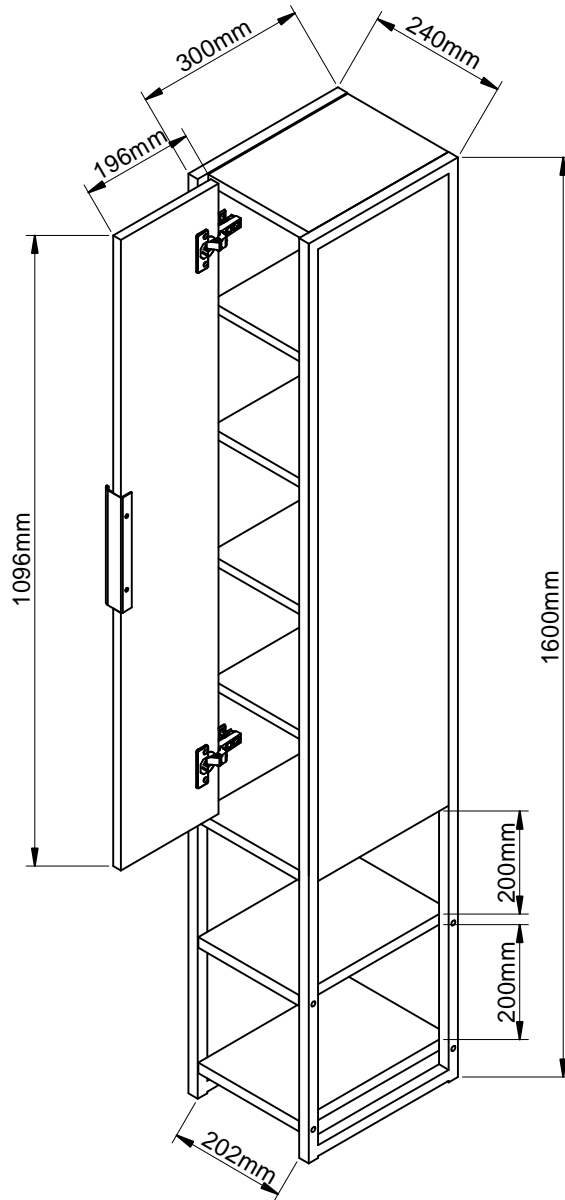
FRONT- TO-BACK



# NEXT BRONX MIRRORED TALL UNIT

C51006

**Actual product size**  
H160 x W24 x D30cm





# NEXT BRONX MIRRORED TALL UNIT

## C51006

### Warnings

We suggest you retain these instructions for future reference.

Keep fittings out of children's reach and keep children well away from construction area.

Please periodically check all fittings and re-tighten as necessary.

Please do not sit or stand on your furniture.

Avoid exposing the furniture to excessive heat or direct sunlight as this can cause deterioration of the colour.

Unwrap all packaging materials and place the components on top of the carton box or on a clean floor to protect it from damage

Name and Address: NEXT RETAIL LTD. LE19 4AT  
identification and model Number: C51006 BRONX MIRRORED TALL UNIT

Date of Manufacture:

Contract number:

Nominal thickness of Glass: 4mm, Annealed glass

Country of Origin: China

If a glass component is chipped or broken replace with glass of the type described on this label. Consult with the retailer with regard to obtaining a manufacturing specification and shape for replacement glass quoting the model number, batch number and date of manufacture.

### Missing parts

If you are missing any fixtures and fittings for your product. Please contact our customer service team on 0333 777 8999 and they will be happy to arrange for a replacement to be sent to you free of charge.

### Home service technicians

If you have a fault with your product, please contact our customer service team on 0333 777 8999. If you have had the product for 28 days or less you may be offered a replacement, refund or for a fully trained home service technician to visit your home to assess the fault and repair the product where possible. If you have had the product for more than 28 days we will send an independent home service technician to review and repair the product where possible and recommend further action.

### You can write to us at

Home Customer Services  
Next Retail Ltd.  
Desford Road,  
Leicester,  
LE19 4AT

To view our full furniture range please visit [www.next.co.uk](http://www.next.co.uk)