

BEFORE YOU GET STARTED...

We're confident you'll love your gorgeous new Next furniture. However, it's worth making absolutely certain before you put it all together.

So, let's quickly run through these three steps:

1. COLOUR

Make sure you're happy with the colour
No need to unpack everything, just check the first component.

2. PROTECTIVE PACKAGING

If you're happy, then it's time to get opening! Start by laying everything out on the protective packaging – this will prevent anything getting scratched.

3. PARTS PAGE

Finally, double check you have all the pieces by referencing the parts page of the instructions.

TIPS FOR RETURNS

Not completely happy with the product? No problem. We just need everything back in the original packaging, so follow the steps below and this will ensure a super-smooth returns process and no delay to your refund.

DO



- Check everything is there (the 'parts page' is a handy checklist).
- Pop all the loose fittings and fixtures into the packaging provided or tie them up in a plastic bag.
- Wrap all the big components back up in the original protective packaging.
- Close up the box and seal it securely (don't be afraid to use plenty of tape).

DON'T



- Leave anything assembled - all components should be dismantled and separately packed.
- Put loose fixtures and fittings straight into the box.
- Throw it back in the box carelessly – as it may get damaged.

**NEXT
HOME**

Then just give us a call on 0333 777 8999 and we'll sort out a pick up time for you.

BRONX SHADOW FLIP DOUBLE BED

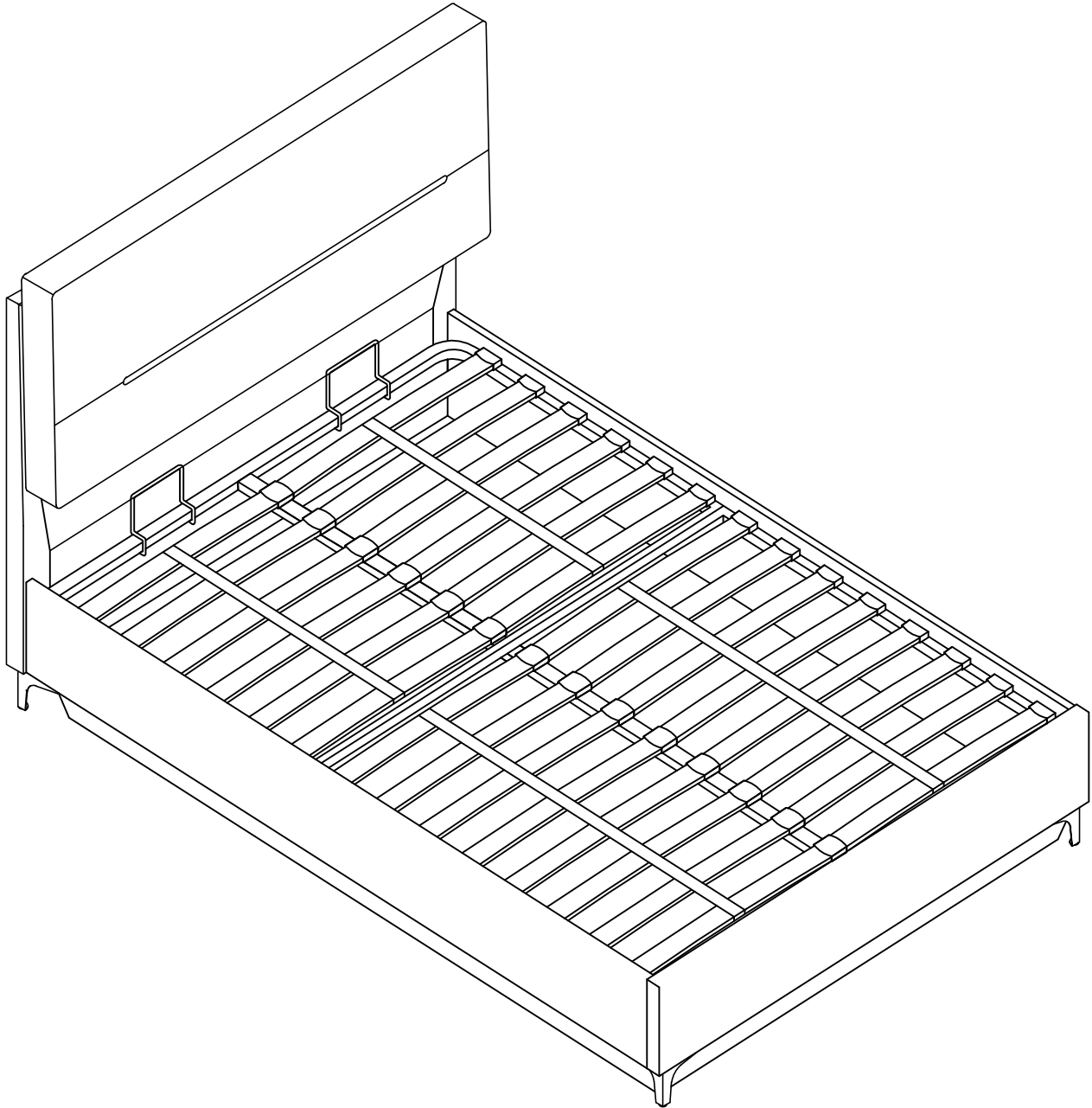
D03081

NEXT

Assembly instructions

Actual product size

W145cm X L201cm X H115cm



Fabric content

D03081-100% polyester

IMPORTANT - RETAIN FOR FUTURE REFERENCE

Need Help?

With: Assembly Instructions

Missing or damaged parts

CALL: 0333 777 8999

Assembly instructions

BEFORE YOU START**Warnings**

We suggest you retain these instructions for future reference.

Keep fittings out of children's reach and keep children well away from construction area.

This product should only be used on firm, level ground.

Please periodically check all fittings and re-tighten as necessary.

Please do not stand on your furniture.

Avoid exposing the furniture to excessive heat or direct sunlight as this can cause deterioration of the colour.

Do's

We suggest you spend a short time reading through this leaflet before you start.

When you are ready to start, make sure that you have the right tools, plenty of space.

Due to the size of this product we recommend that it is assembled in the room intended for use.

Unwrap all packaging materials and place the components on a clean surface to protect them from damage.

We recommend that the packaging is used to protect the surfaces during assembly.

Carefully check that you have all the parts before beginning assembly.

Ensure the product is fully assembled as illustrated and all fixings are fully tightened before use. Check fixings regularly to ensure they remain tight.

When moving your assembled bed, it is best to lift the bed and never to drag it. Please check that the centre support rail is securely fixed in place.

When adjusting the support legs ensure that the foot is set 5mm from the floor surface without the mattress in place. When in use the legs will create the required support for the product.

Never allow any kind of liquid to remain on your furniture. Absorption can cause materials to warp or finishes to de-laminate.

To clean your item, please use a vacuum or lightly brush clean.

Don'ts

Do not tighten screws until fully assembled.

Do not over tighten screws or bolts.

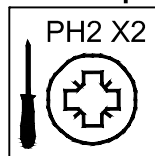
Do not drag or pull your furniture.

Do not use this product if parts are missing, damaged or worn.

Never use scourers, abrasives or chemical cleaners.

Number of people required to assemble

Two people are required to assemble this item

**Time to assemble****Tools required**

not supplied

Missing parts

If you are missing any fixtures and fittings for your product please contact our customer service team on **0333 777 8999** and they will be happy to arrange for a replacement to be sent to you free of charge.

Home service technicians

If you have a fault with your product please contact our customer service team on **0333 777 8999**. If you have had the product for 28 days or less you may be offered a replacement, refund or for a fully trained home service technician to visit your home to assess the fault and repair the product where possible. If you have had the product for more than 28 days we will send an independent home service technician to review and repair the product where possible and recommend further action.

You can write to us at

Home Customer Services
Next Retail Ltd,
Desford Road,
Leicester,
LE19 4AT,

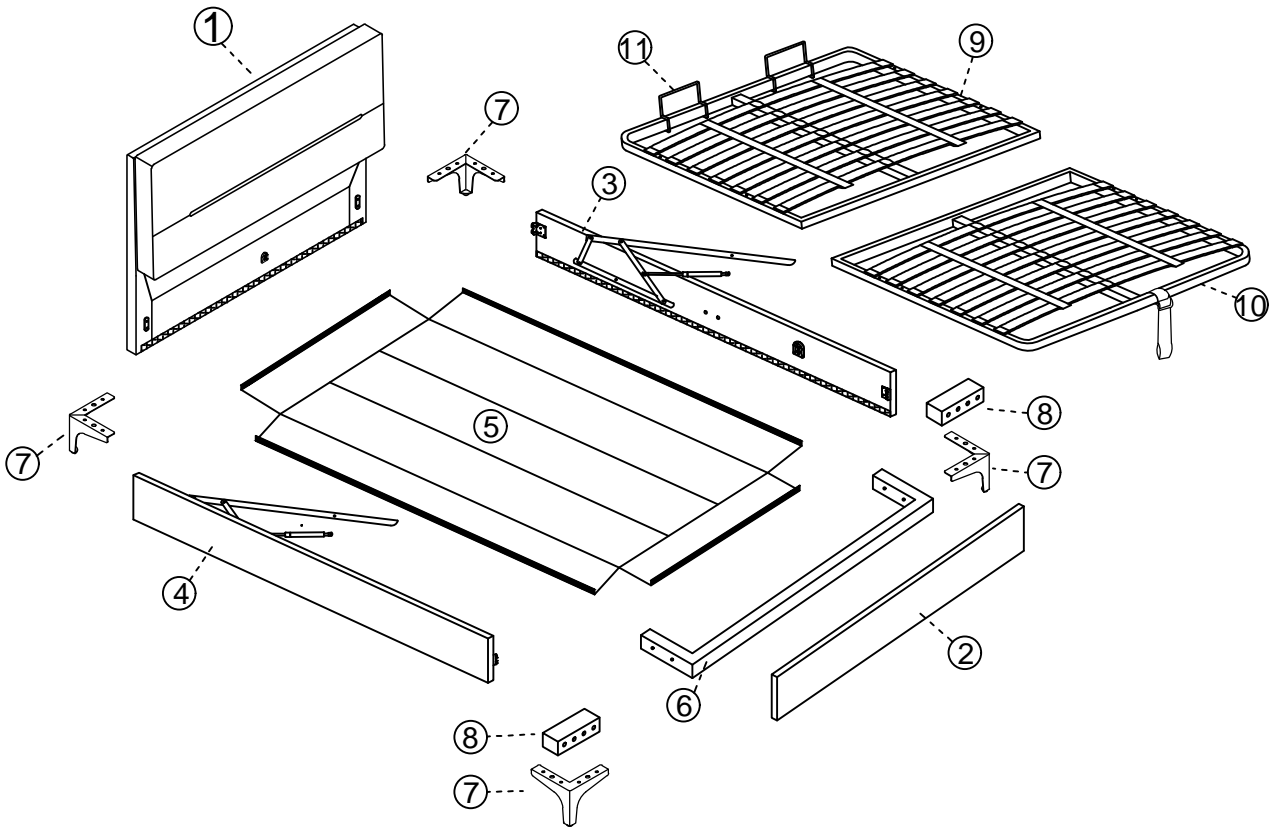
To view our full furniture range please visit www.next.co.uk

BRONX SHADOW FLIP DOUBLE BED

D03081

NEXT

Assembly instructions



Components supplied. Please use this guide if you require replacement parts.

Ref	Dimensions	Visual	Qty	Ctn
1	Headboard		1	1
2	Footboard		1	2
3	side rail		1	2
4	side rail		1	2
5	Baseboards		1	2

Ref	Dimensions	Visual	Qty	Ctn
6	Centre Supporter		1	2
7	Feet		4	1
8	Brackets		2	1
9	Slat frame		1	3
10	Slat frame		1	3
11	Mattress holder		2	1

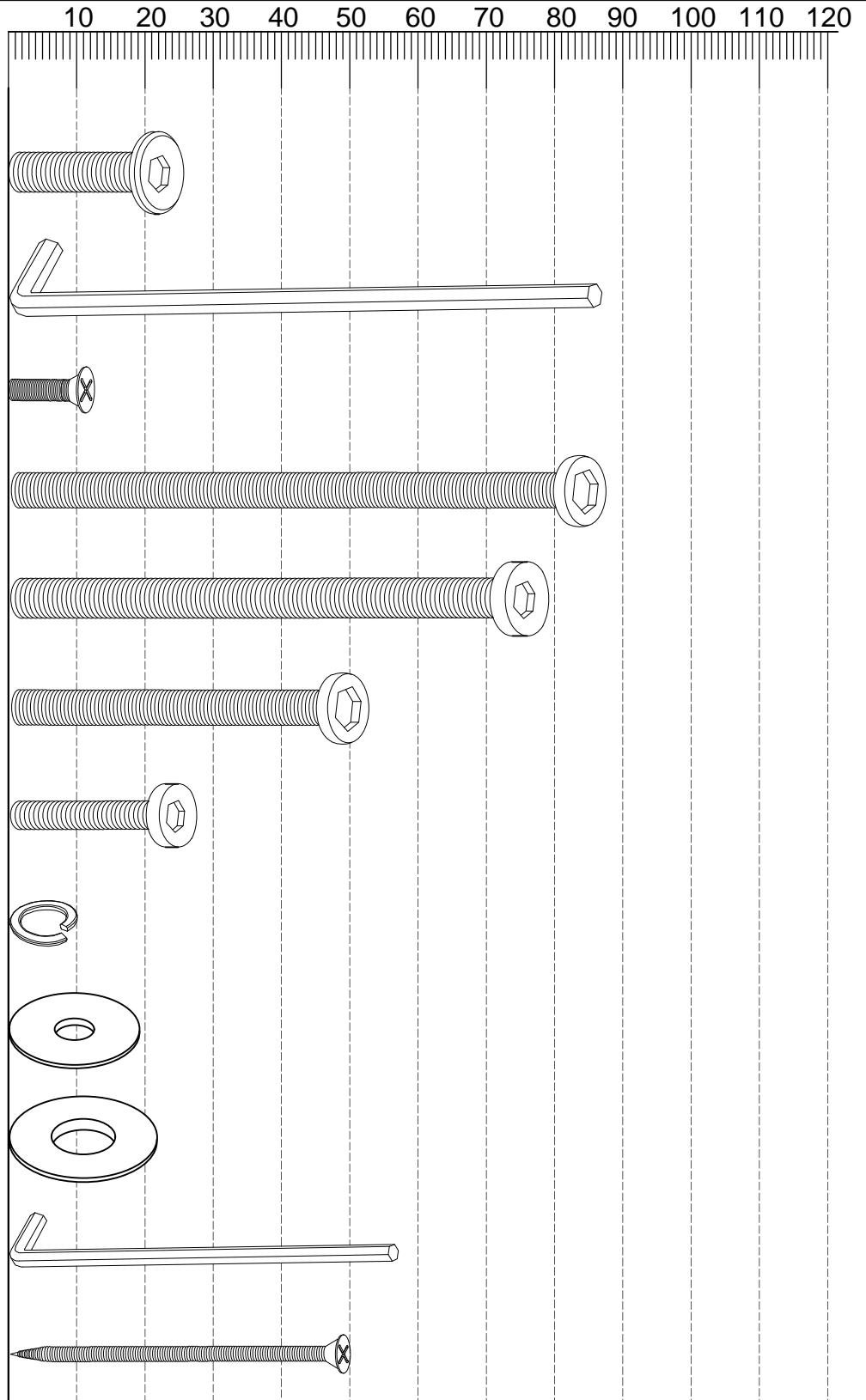
BRONX SHADOW FLIP DOUBLE BED

D03081

NEXT

Assembly instructions

Ref	Dimensions	Qty
A	M8x18	8
B	M5	2
C	M4*10	6
D	M8x80	4
E	M8*70	4
F	M8*45	8
G	M6*20	8
H	M8	4
I	M6*19	12
J	M8x22	28
K	M4	1
L	M8*50	4



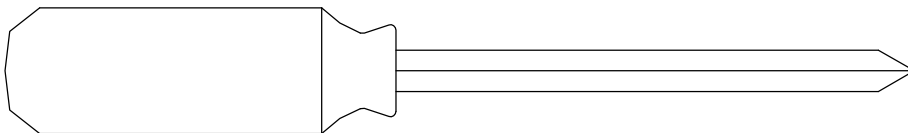
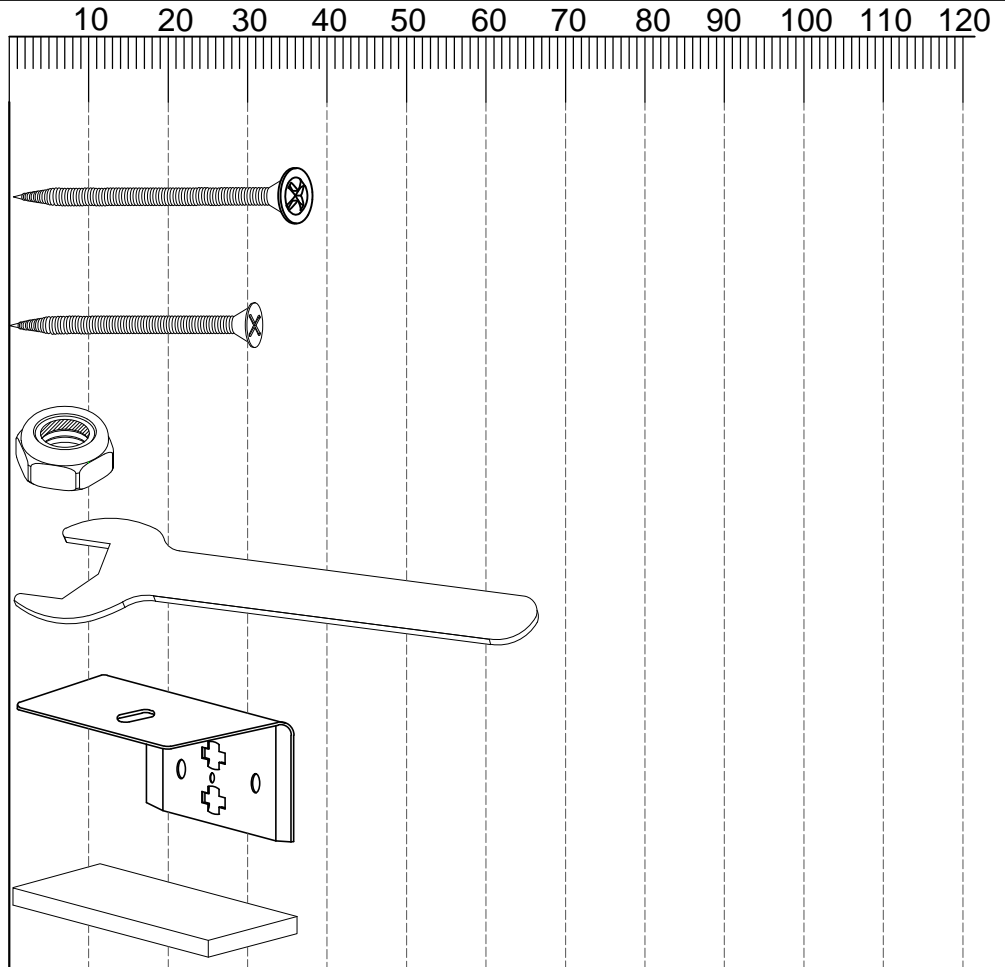
BRONX SHADOW FLIP DOUBLE BED

D03081

NEXT

Assembly instructions

Ref	Dimensions	Qty
M	M8*38	4
N	M8*32	4
O	M8	12
P	Ø13	2
Q	Brackets	6
R	Stick felts 40x20x3mm	9



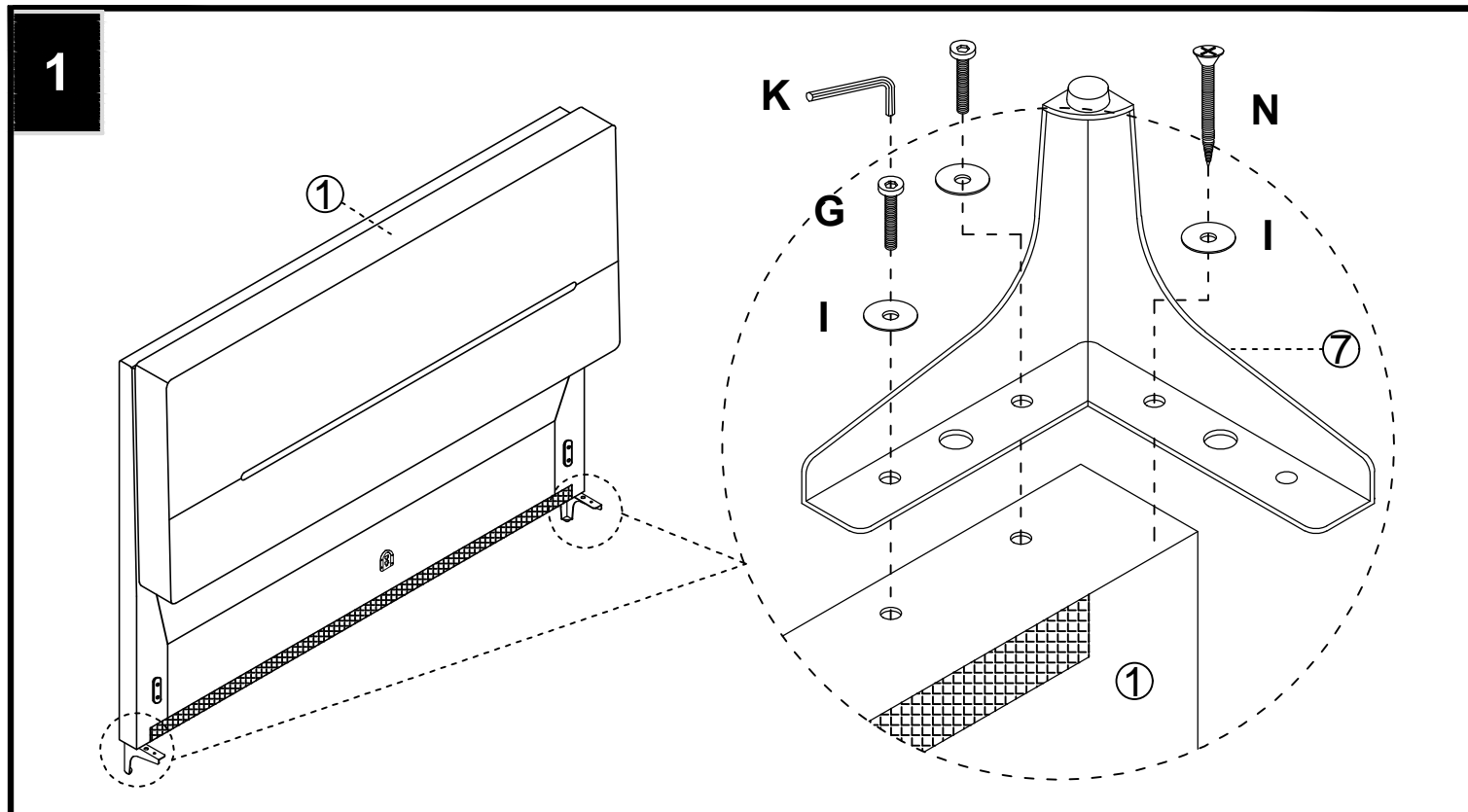
NOT SUPPLIED


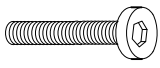


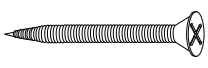
BRONX SHADOW FLIP DOUBLE BED

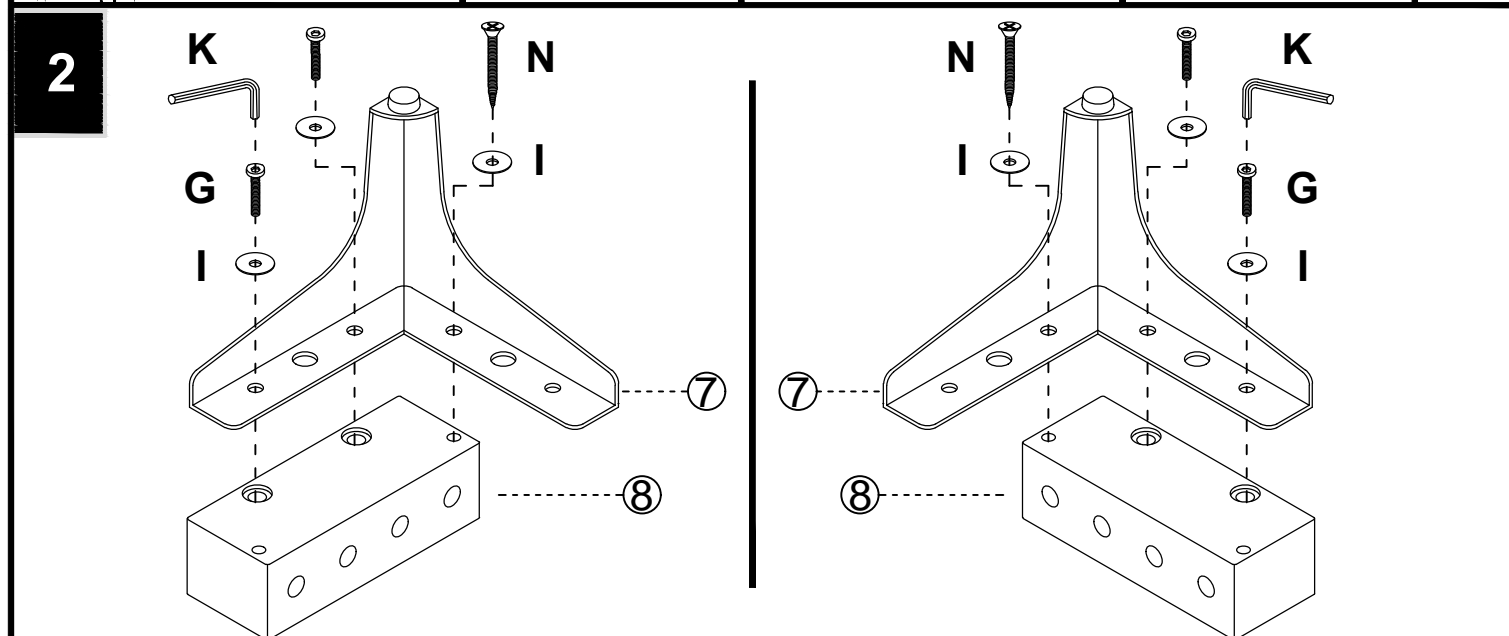
D03081


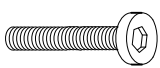


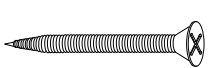
NEXT

Assembly instructions



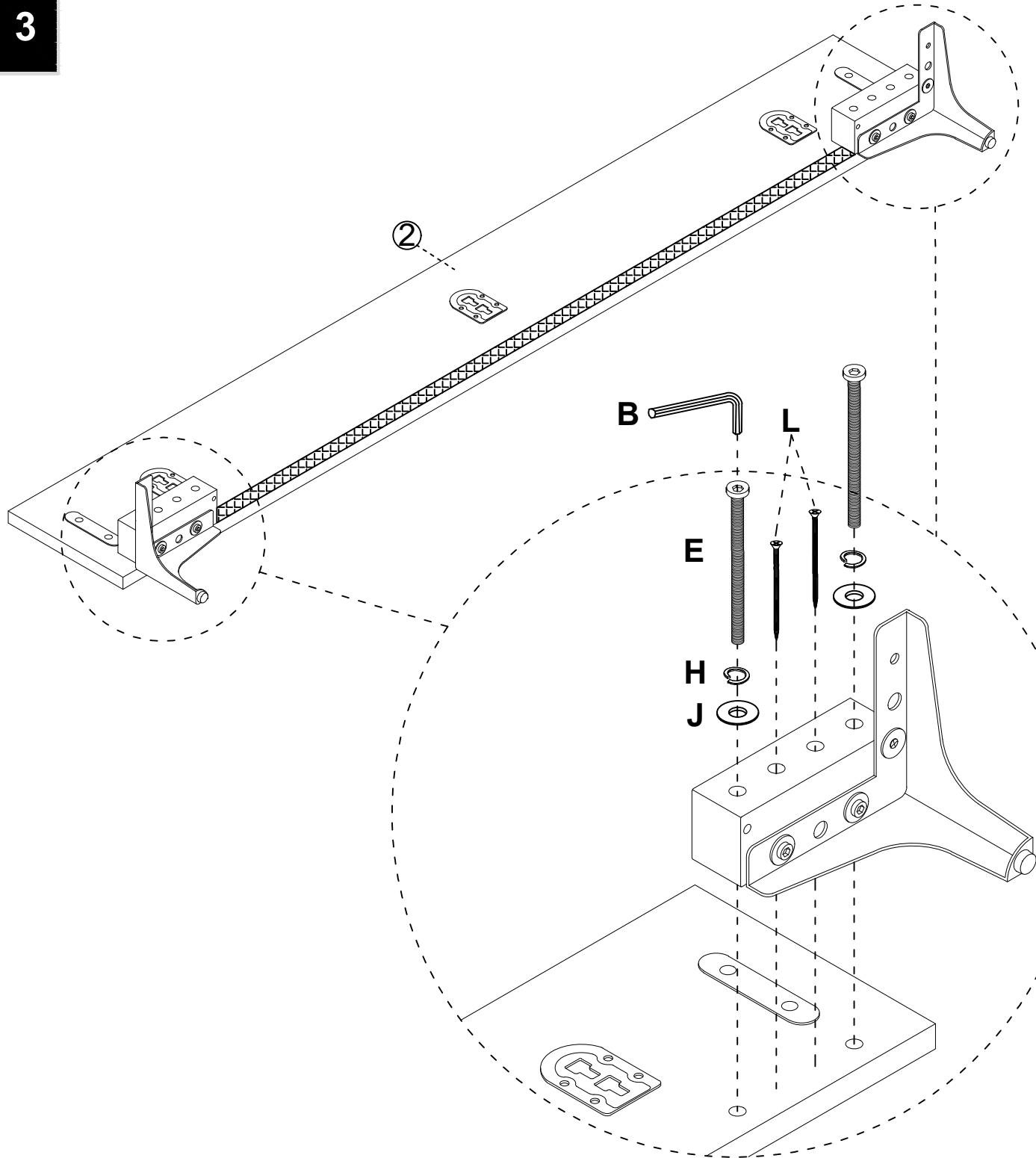
 not supplied	Gx4 M6x20mm 	Ix6 M6x19mm 	Kx1 M4 	Nx2 M8x32mm 
--	---	---	---	---



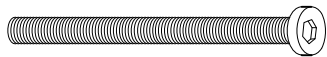





 not supplied	Gx4 M6x20mm 	Ix6 M6x19mm 	Kx1 M4 	Nx2 M8x32mm 
--	---	---	---	---

Assembly instructions

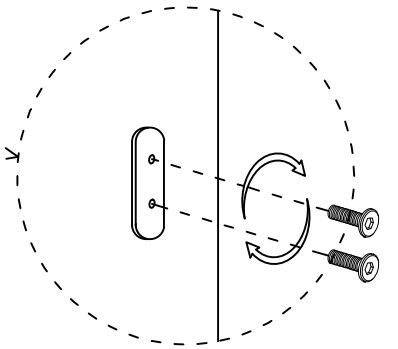
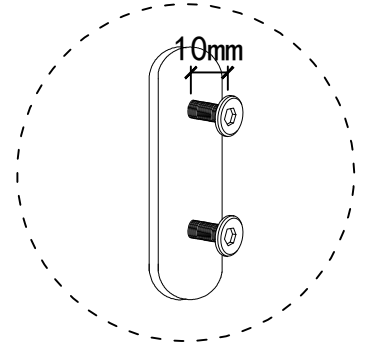
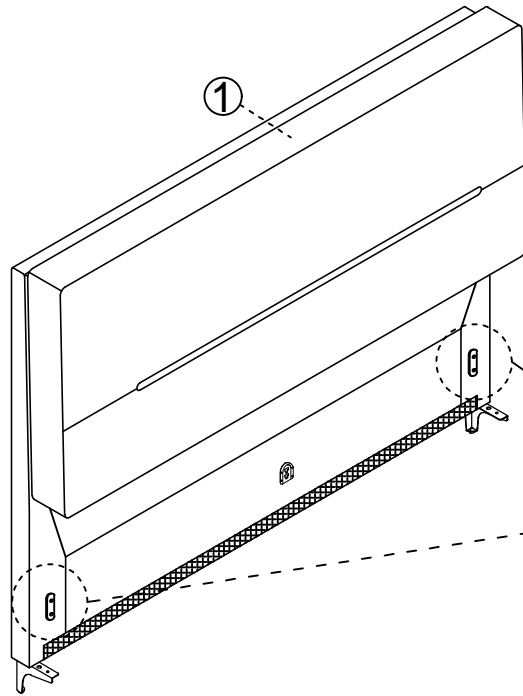
3



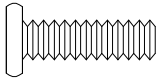
 <p>PH2 not supplied</p>	<p>Bx2 M5</p> 	<p>Ex4 M8x70mm</p> 	<p>Hx4 M8</p> 	<p>Jx4 M8x22mm</p> 	<p>Lx4 M8x50mm</p> 
--	--	---	--	---	---

Assembly instructions

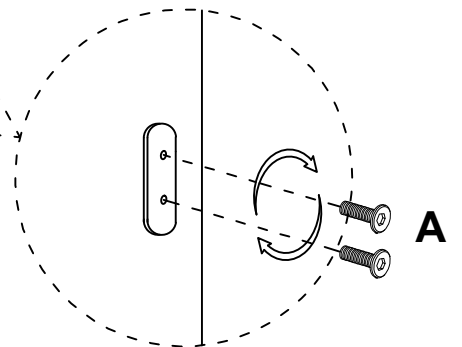
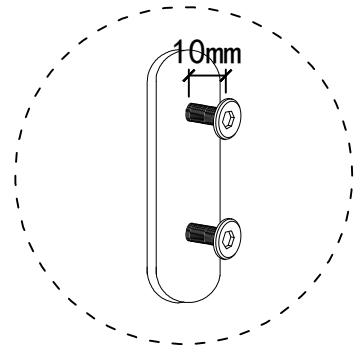
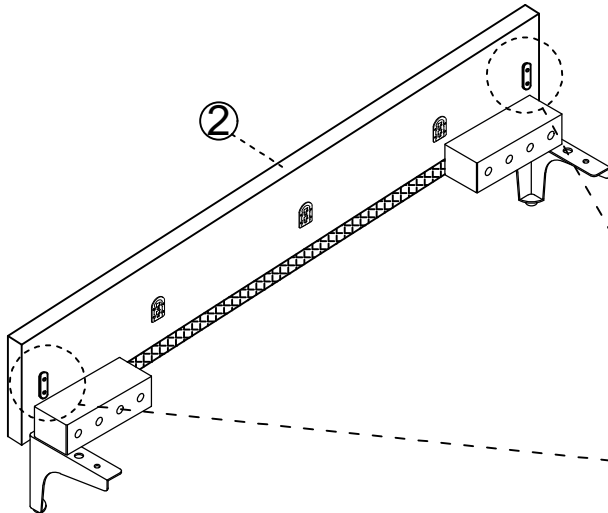
4



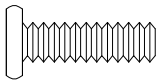
Ax4 M8x18mm



5

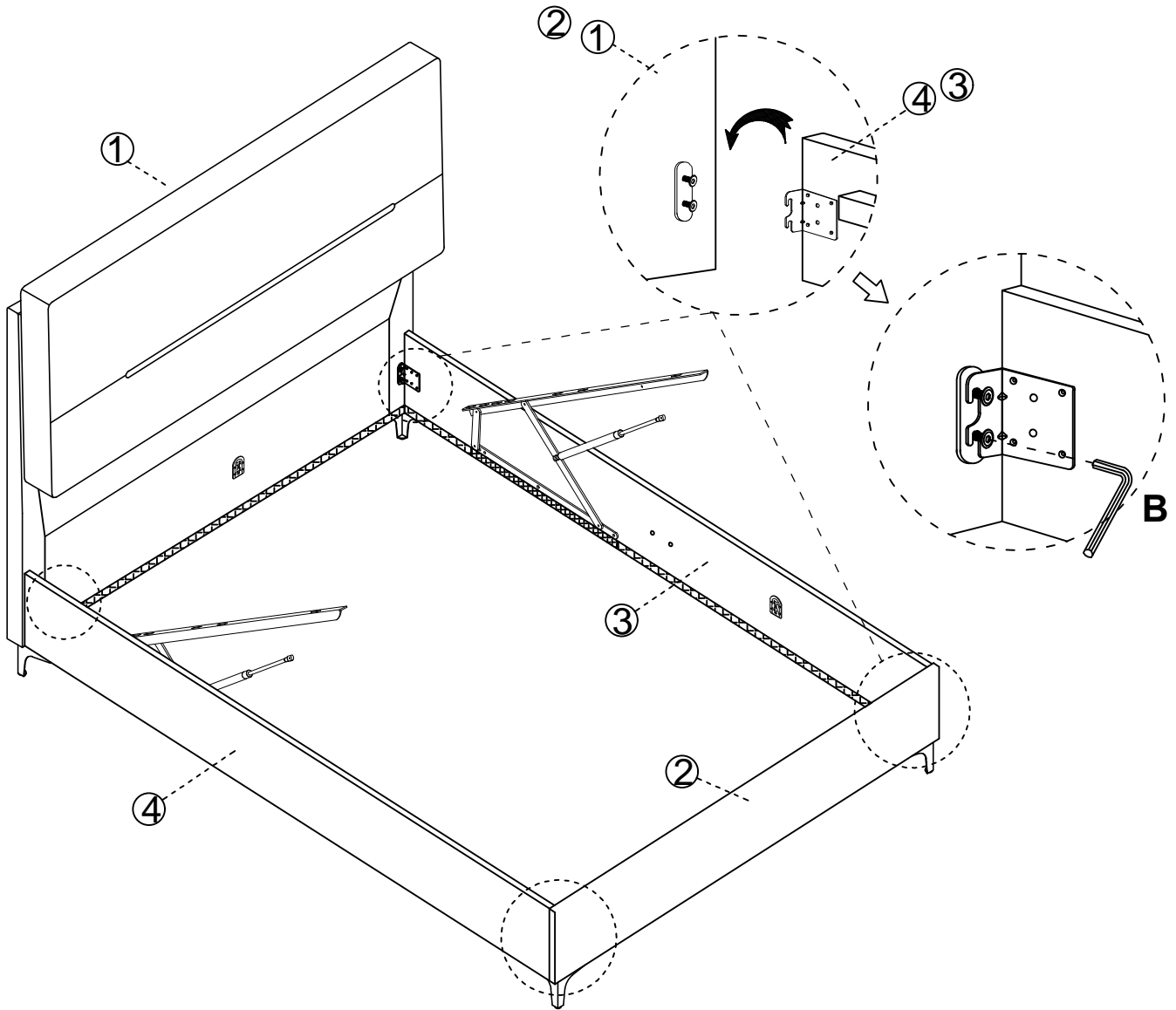


Ax4 M8x18mm



Assembly instructions

6

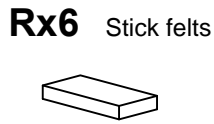
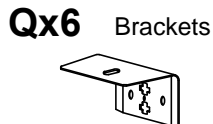
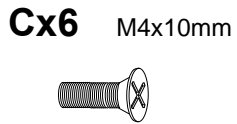
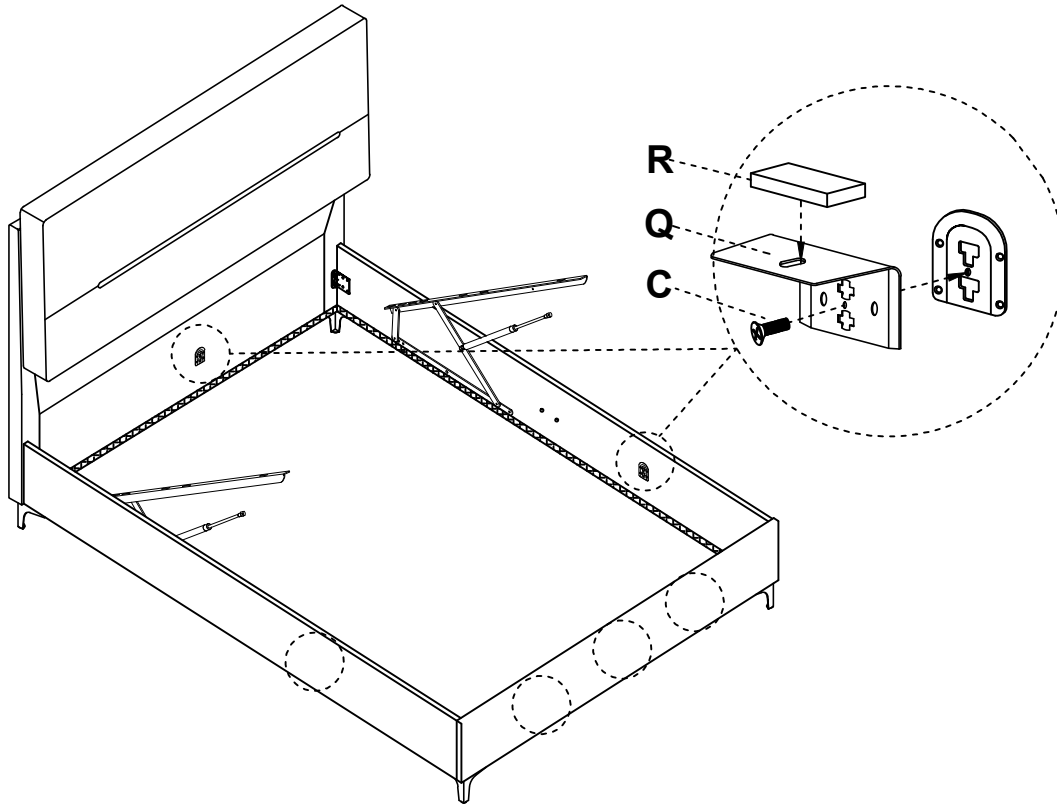


Bx2 M5

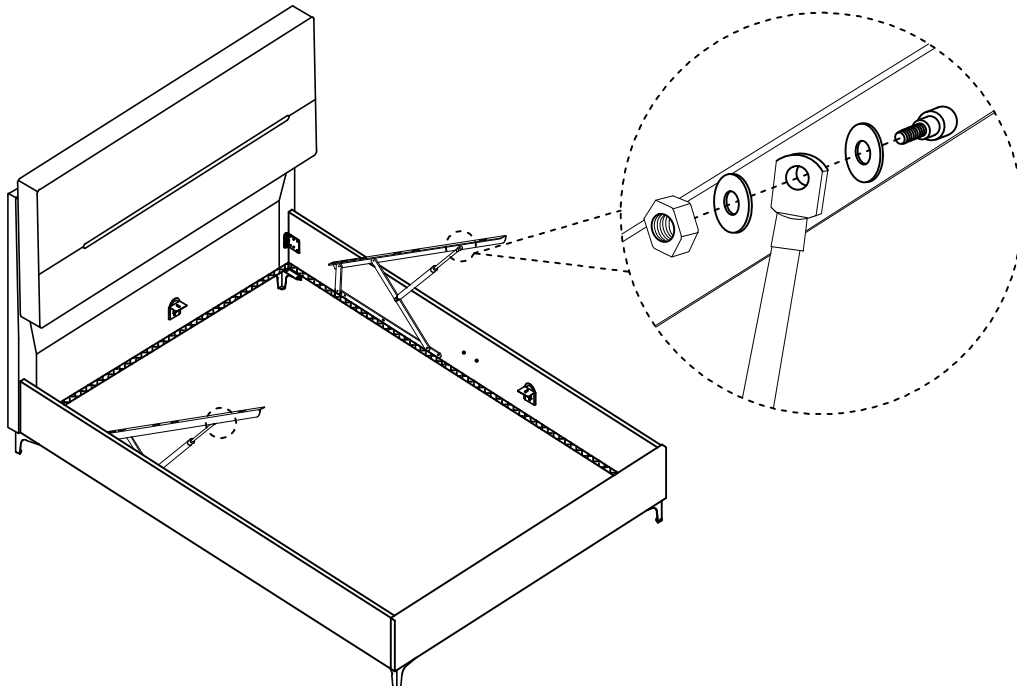


Assembly instructions

7

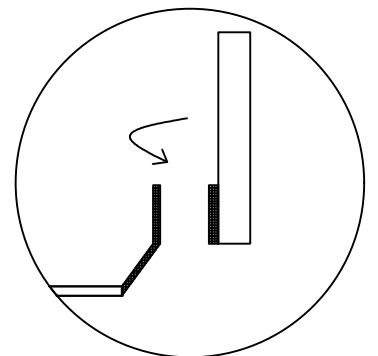
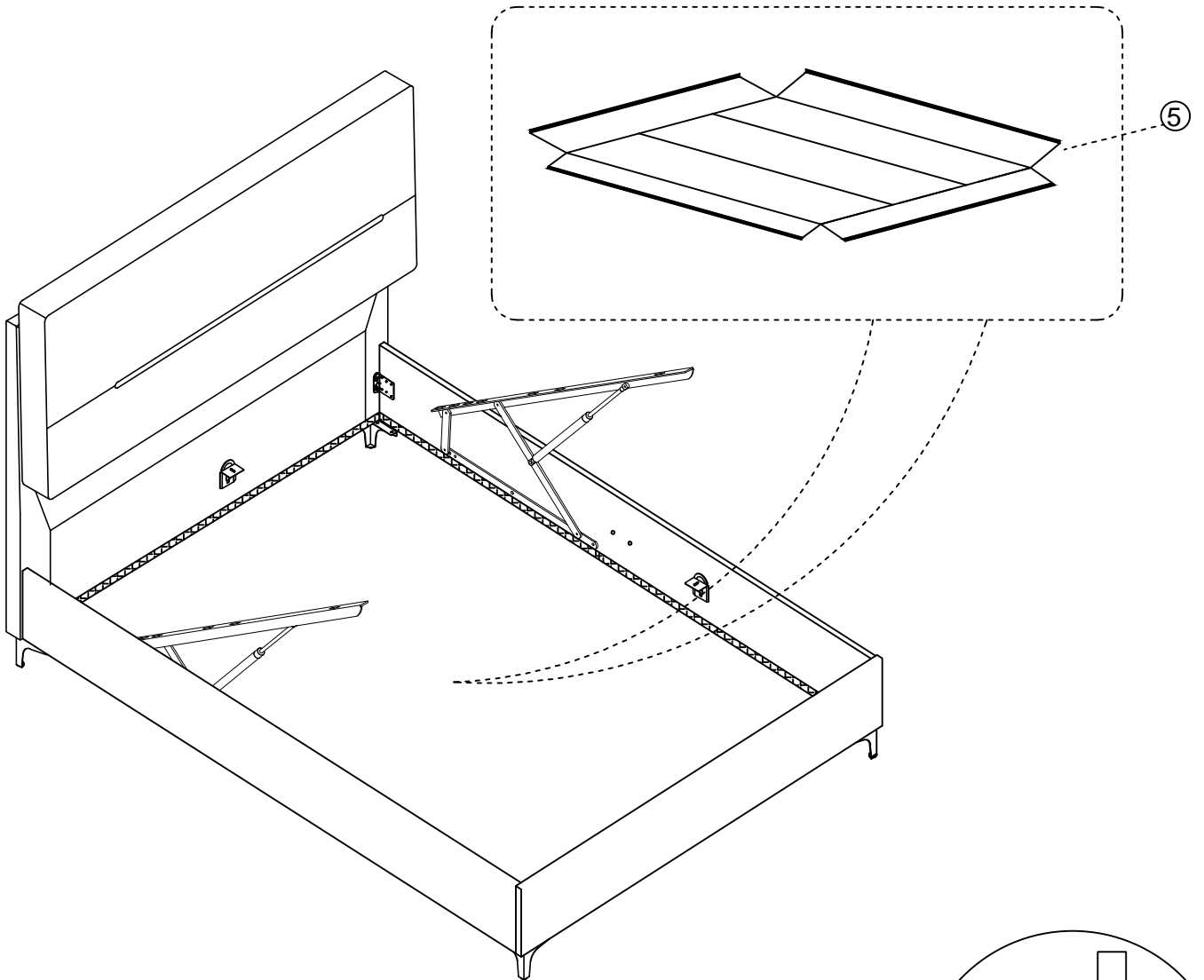


8



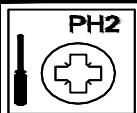
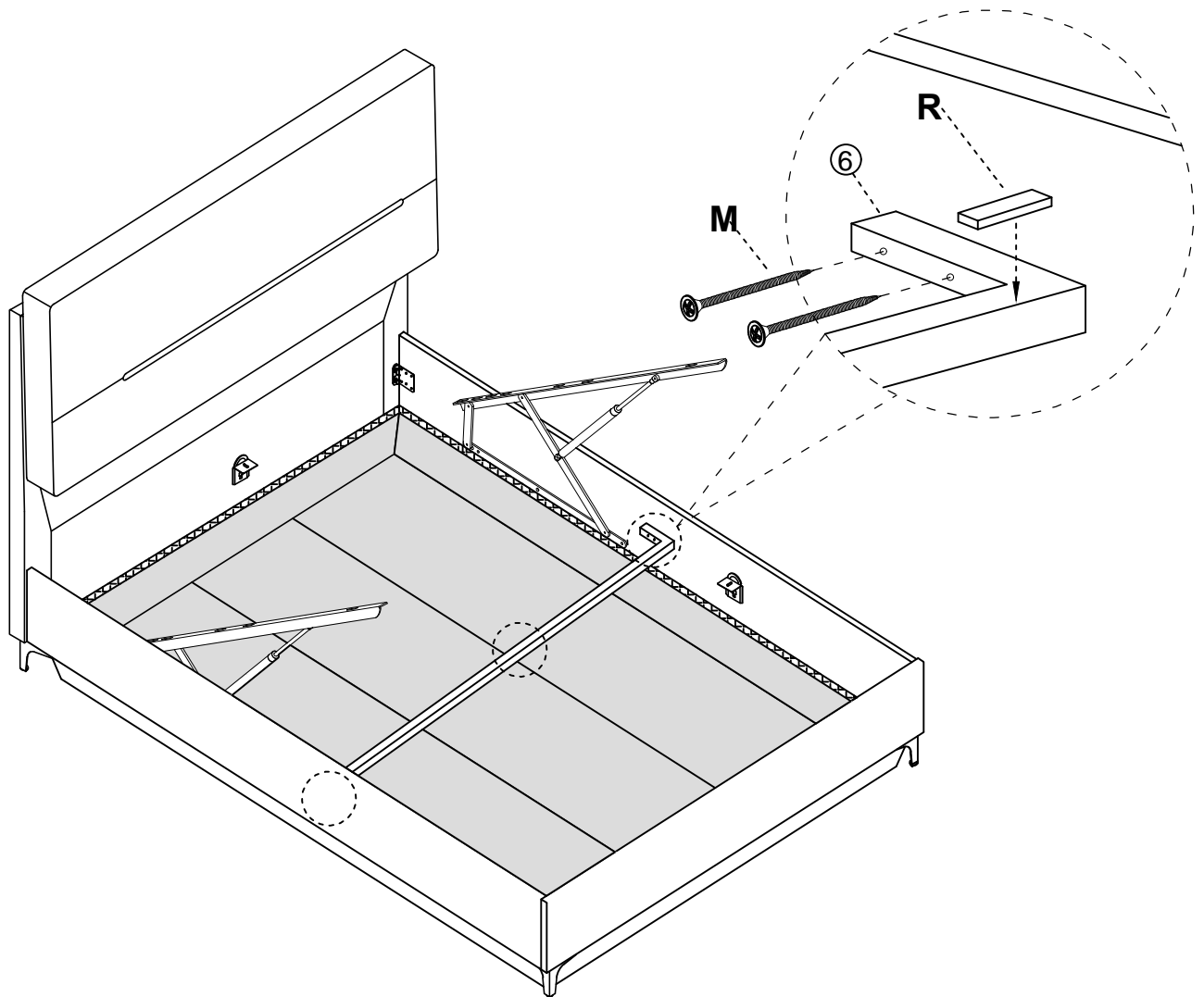
Assembly instructions

9



Assembly instructions

10



PH2

Mx4 M8x38mm



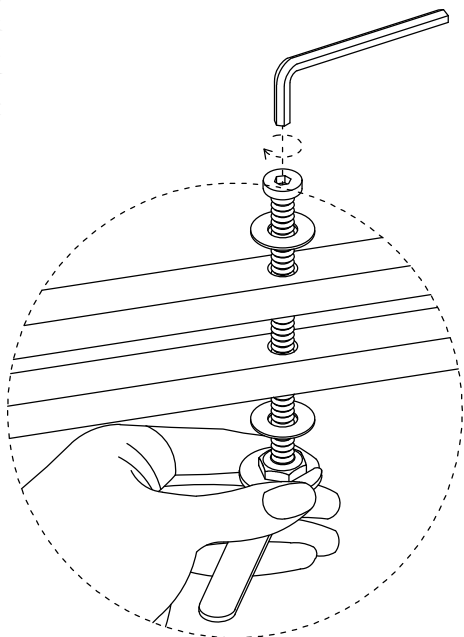
Rx3 Stick felts



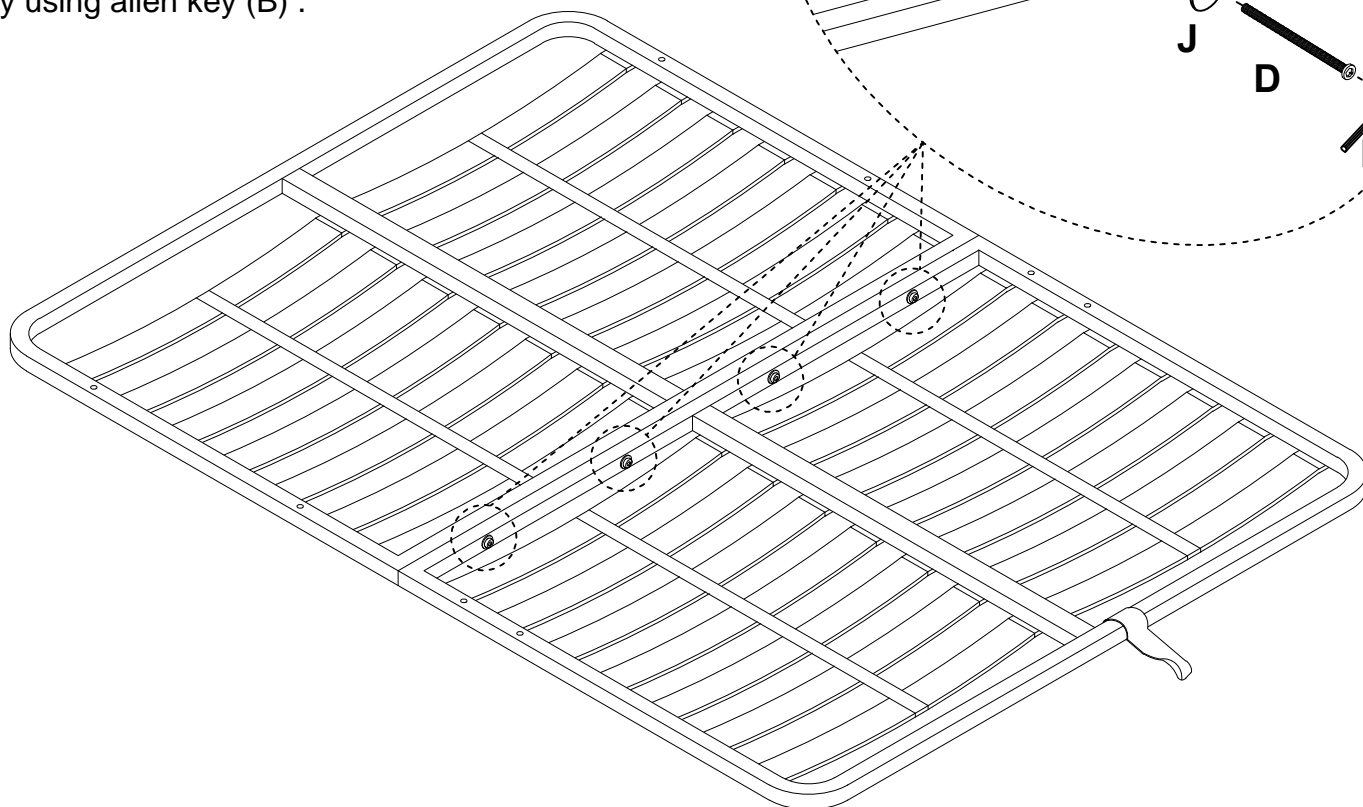
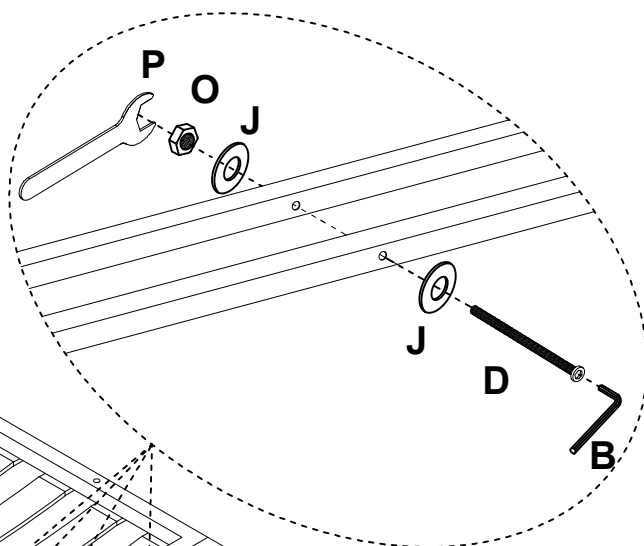
not supplied

Assembly instructions

11



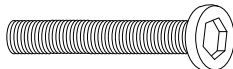
Fix the nut (O) at one end of bolt (D) by using spanner (P), then tighten the bolt (D) by using allen key (B) .



Bx2 M5



Dx4 M8x80mm



Jx8 M8x22mm



Ox4 M8

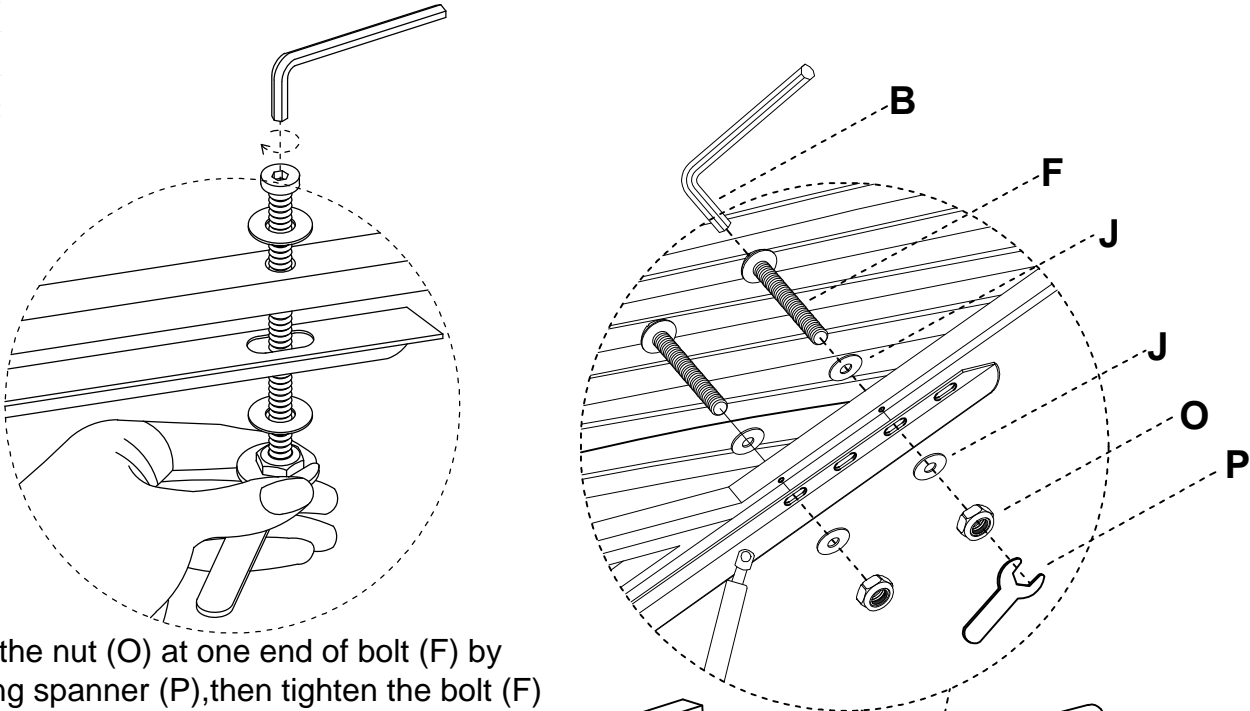


Px2 Ø13

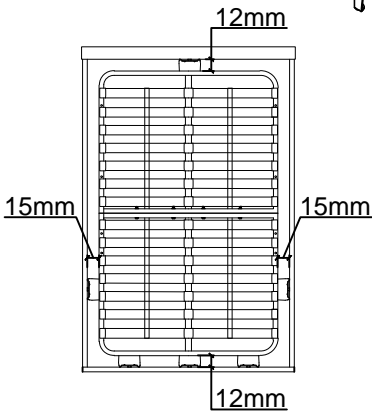
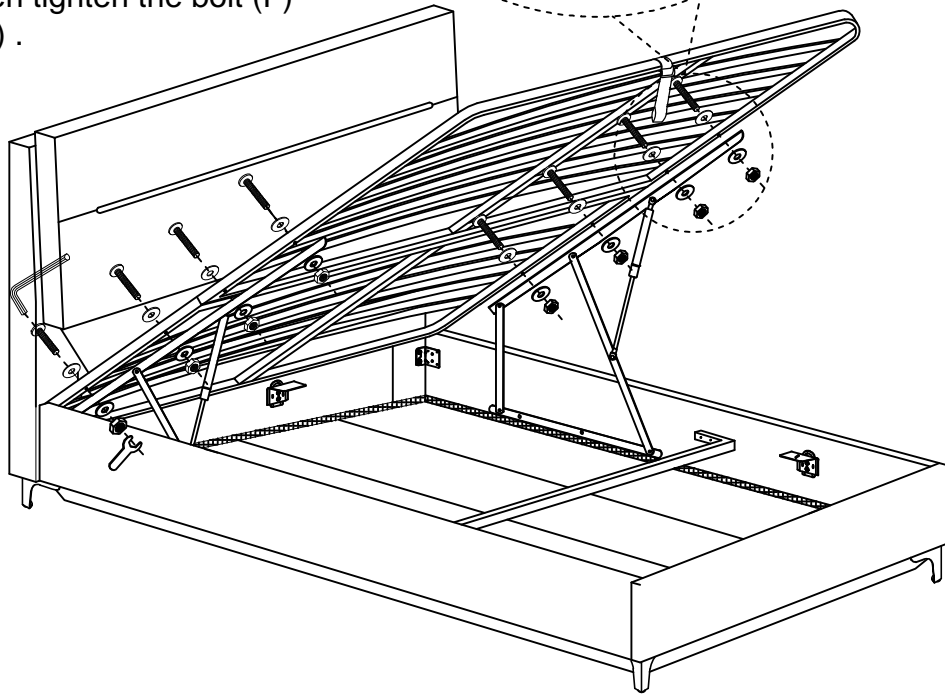


Assembly instructions

12



Fix the nut (O) at one end of bolt (F) by using spanner (P), then tighten the bolt (F) by using allen key (B).

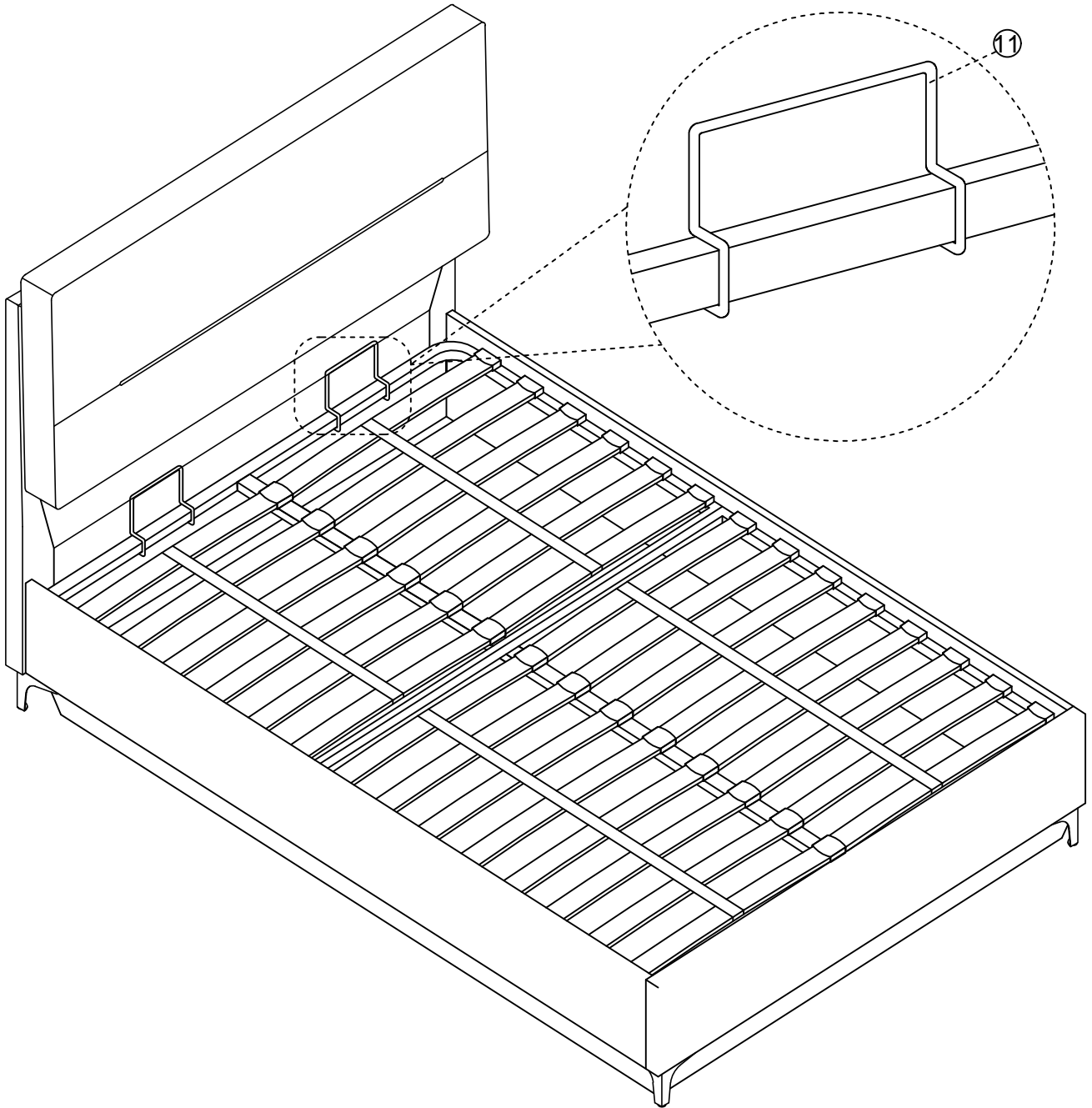


We suggest to assemble the slat frame in the middle position of the bed and try to keep 15mm distance on both side rails and keep 12mm distance on headboard and footboard, need to be equidistant.

<p>PH2 not supplied</p>	<p>Bx2 M5</p>	<p>Fx8 M8x45mm</p>	<p>Jx16 M8x22mm</p>	<p>Ox8 M8</p>	<p>Px2 Ø13</p>
-----------------------------	----------------------	---------------------------	----------------------------	----------------------	-----------------------

Assembly instructions

13

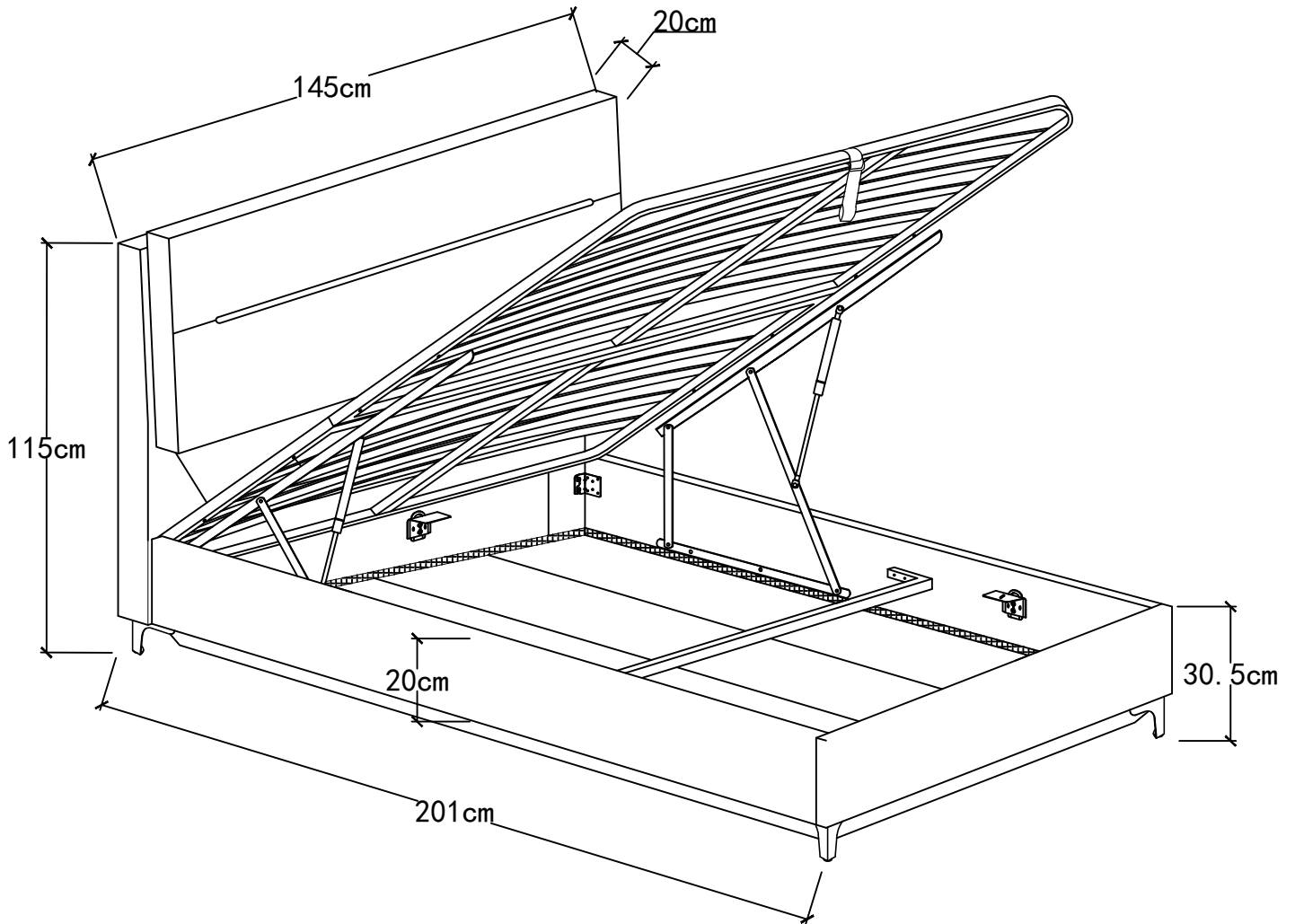


BRONX SHADOW FLIP DOUBLE BED

D03081

NEXT

Assembly instructions



CAUTION: Flip beds use strong gas pistons to aid you in lifting the mattress to access your storage. Do not attempt to operate the mechanism without a mattress in place. This could cause damage to the frame or potential injury when opening or closing. Use the strap or handle provided to operate and keep hands and objects away from any of the moving components.

Minimum and maximum weight restrictions are highlighted below. Ensure your mattress meets this specification. Do not overload the bed frame as this will damage the mechanism.

Double: MIN 20kg / MAX 60kg