

# Birlea®

## Assembly Instructions

---

Thank you for  
purchasing a  
Birlea product

For a chance to win a Love2Shop voucher simply post a picture of your new product on your preferred social channels tagging Birlea Furniture. One winner will be selected at random each month.

\*Terms & conditions may apply.

---

### Are you happy with your purchase?

**Yes:** That's great, we would love to hear more from you. Please leave us a review on our Trustpilot link on the QR code here. Your feedback will be greatly appreciated.



**No:** If for any reason there is something missing, indifferent or incorrect with your order, please contact the retailer that you purchased your item from.

Please note that this items build time is around 45 minutes.



[www.birlea.com](http://www.birlea.com)



## ASSEMBLY INSTRUCTIONS HIGHGATE 4 DRAWER CHEST

**IMPORTANT: READ THESE INSTRUCTIONS CAREFULLY BEFORE ASSEMBLING OR USING YOUR HIGHGATE 4 DRAWER CHEST.**

**PLEASE KEEP THESE INSTRUCTIONS FOR FUTURE REFERENCE.**

### HEALTH & SAFETY:

DO NOT use this item if any parts are missing, damaged or worn.

DO NOT use this item unless all fixings are secured.

Please keep small parts out of reach of children.

Always use on a level, even surface.

It is recommended that two people handle and assemble the item.

Birlea advise you use the wall straps provided to further enhance the safety of this product.

### CARE & MAINTENANCE:

Assemble in the room of use.

To avoid damages assemble the item on a soft, clean surface

Periodically check all screws & fixings to ensure they are secure.

DO NOT push the item as this will damage the base.

Always lift the item with two people to reposition.

Keep any sharp objects away from the item.

This product is manufactured in pine which is a wood with natural characteristics including knots, grains, clusters or indentations.

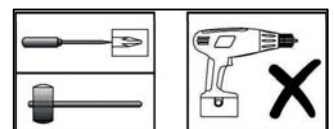
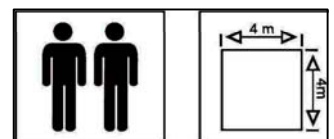
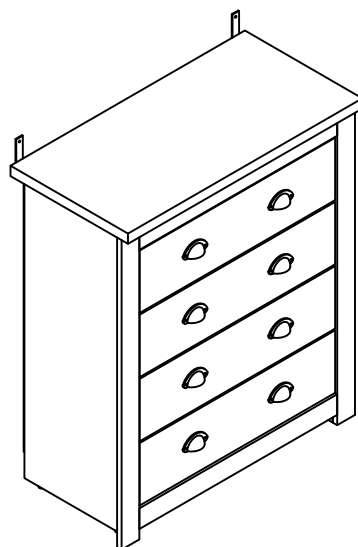
On unpacking the item you may notice an odour due to production processes but this will disappear after a period of time.

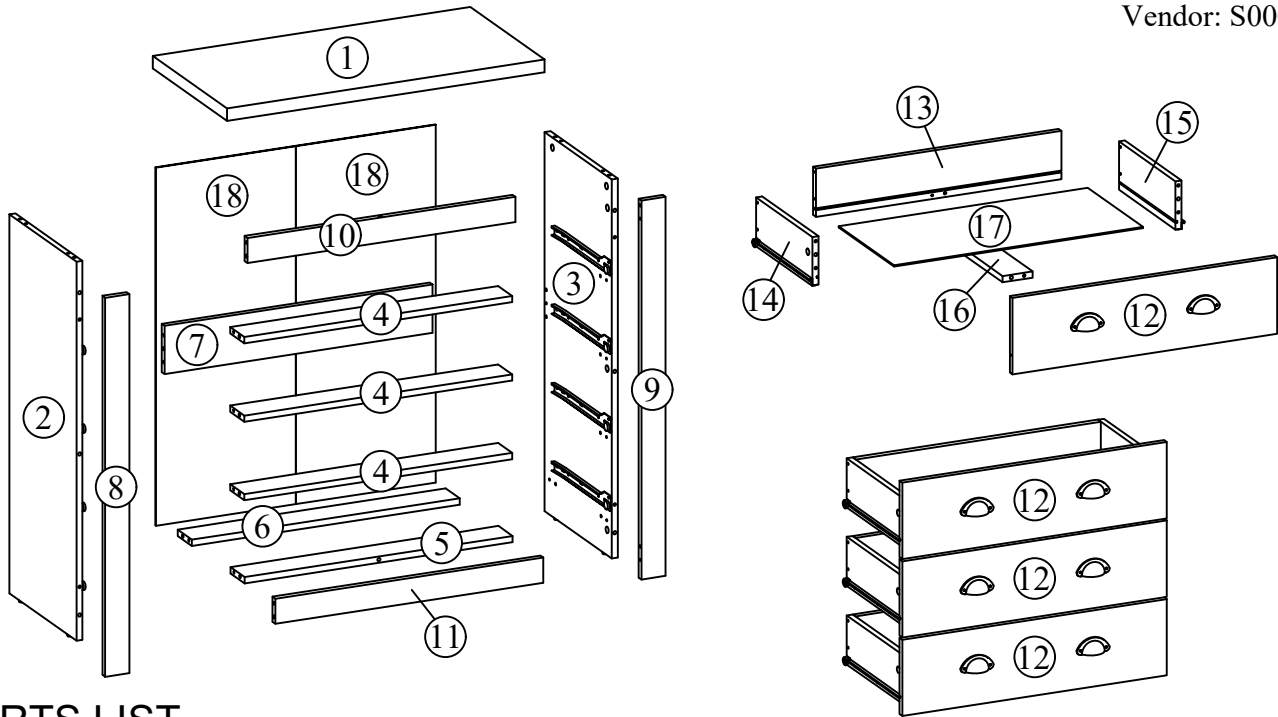
DO NOT place the item next to a radiator or direct sunlight - this item is susceptible to temperature change. It is recommended an even room temperature be maintained with no sudden fluctuations.

DO NOT place hot or cold items directly onto the surface of the item as marking will occur

For general cleaning use a duster or damp cloth (almost dry) not wet - do not use soap and water, detergents, aerosol sprays or any polish as use of these materials would invalidate any claims.

DO NOT place the item onto wet or damp flooring as staining may occur to the floor.





## PARTS LIST

Carton 1 of 2:

Part	Description	Qty
2	Left Panel	1
3	Right Panel	1
4	Front Support Panel	3
5	Bottom Front Panel	1
6	Bottom Back Panel	1
7	Back Support Panel	1
8	Left Front Post Panel	1
9	Right Front Post Panel	1
10	Top Front Post Panel	1
11	Bottom Front Post Panel	1
12	Drawer Front Panel	4
17	Drawer Bottom Panel	4
18	Back Panel	2

## PARTS LIST

Carton 2 of 2:

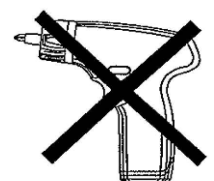
Part	Description	Qty
1	Top Panel	1
13	Drawer Back Panel	4
14	Drawer Left Panel	4
15	Drawer Right Panel	4
16	Drawer Support Panel	4

## HARDWARE LIST: Carton 1 of 2






Part	Description	Qty
A	CAM NUT 15mm	40
B	CAM BOLT	40
C	WOOD DOWEL M6 x 25mm	50
D	COUNTERSUNK SCREW M4 x 38mm	20
E	COUNTERSUNK SCREW M3.5 x 12mm	48
F	METAL RUNNER 12" (DR)	4
	METAL RUNNER 12" (DL)	4
G	METAL RUNNER 12" (CR)	4
	METAL RUNNER 12" (CL)	4
H	PVC NAIL	4
I	NAIL	35
J	SCREW M3.5 x 14mm	16
K	MOON HANDLE	8
L	WASHER	4
M	ANTI TIP STRAP	2
N	COUNTERSUNK SCREW M4 x 20mm	4

\*\* You will need a screwdriver and a small mallet ( NOT provided)

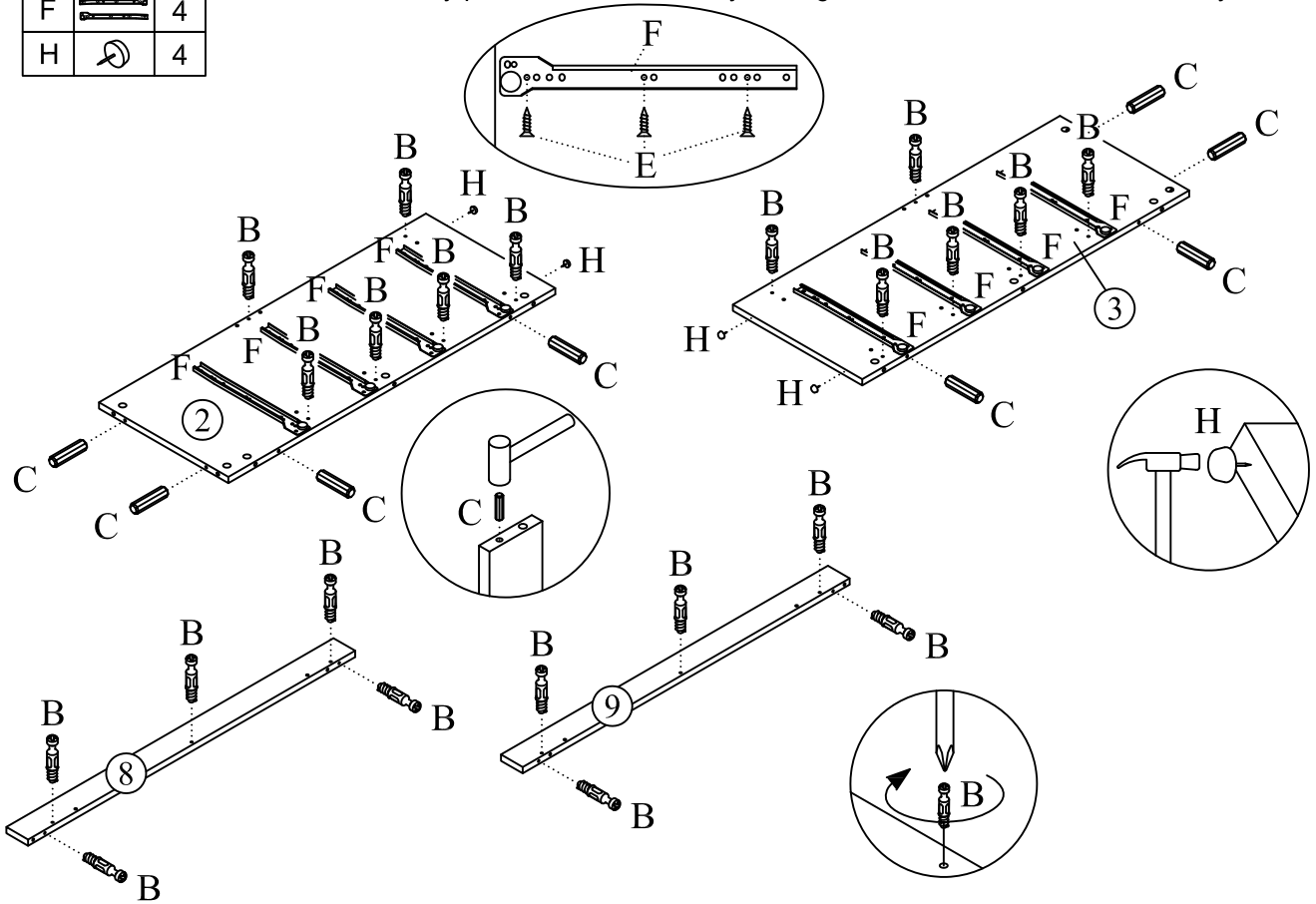
Measure Tape



\*\* WARNING: THE USE OF POWER TOOLS TO ASSEMBLE THIS PRODUCT WILL INVALIDATE ANY CLAIM AND MAY DAMAGE THIS PRODUCT MAKING IT UNSAFE.

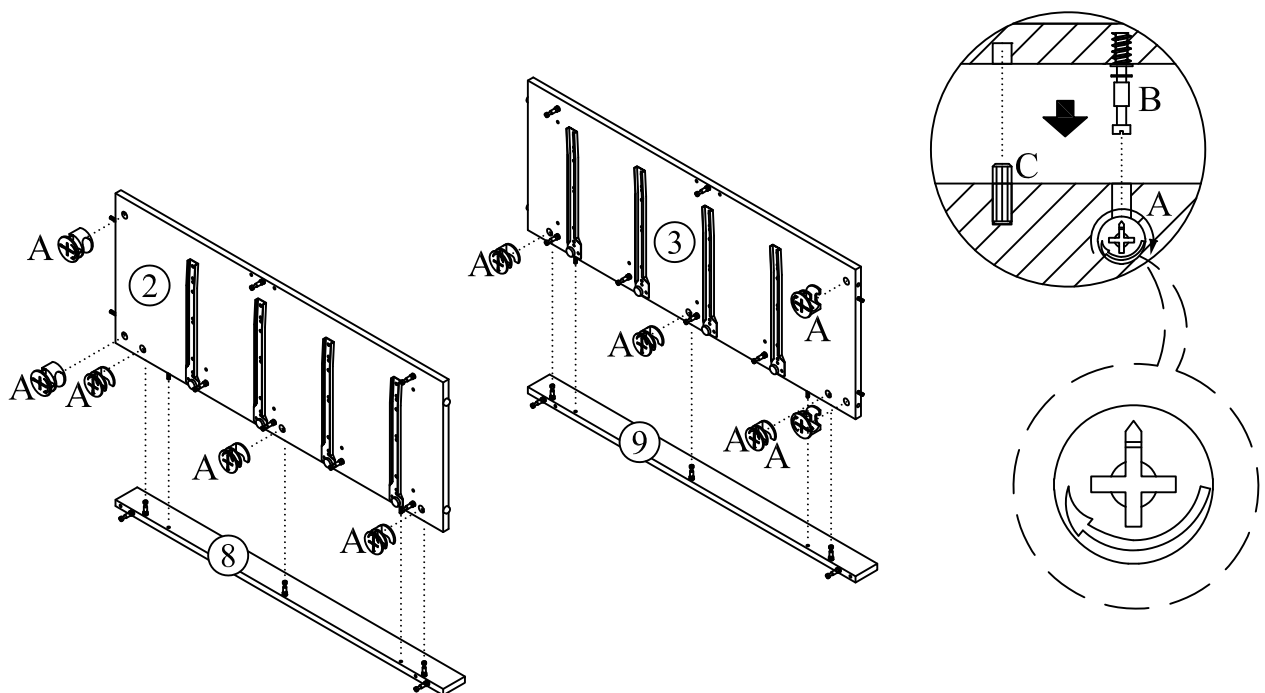
<b>1</b>	B		22
	C		8
	E		24
	F		4
	H		4




Insert hardware part B using a screwdriver (not provided). Insert hardware part C using a small mallet (not provided). Insert hardware part H using a small mallet (not provided). Attach hardware F with screw E using screwdriver (not provided). DO NOT use any power tools as this may damage the frame and will invalidate any claim.



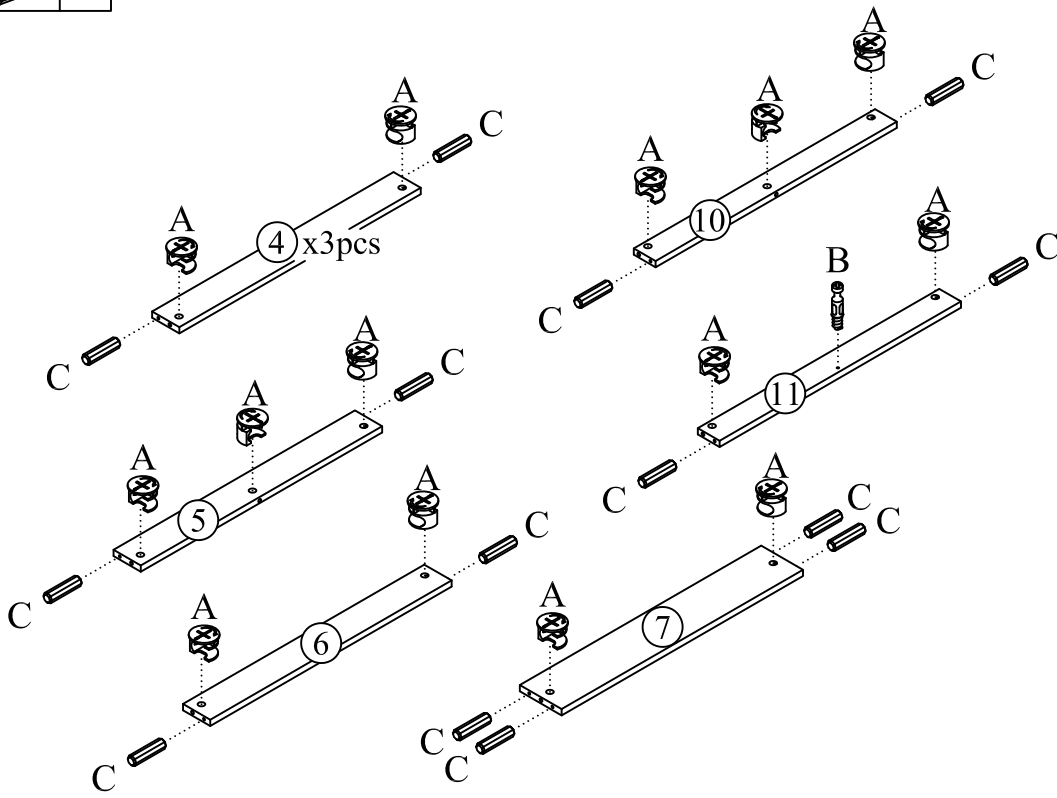
<b>2</b>	A		10
----------	---	---	----

Attach the Left Front Post Panel (8) to Left Panel (2) and Right Front Post Panel (9) to Right Panel (3) by screwdriver (not provided). DO NOT use any power tools as this may damage the frame and will invalidate any claim.

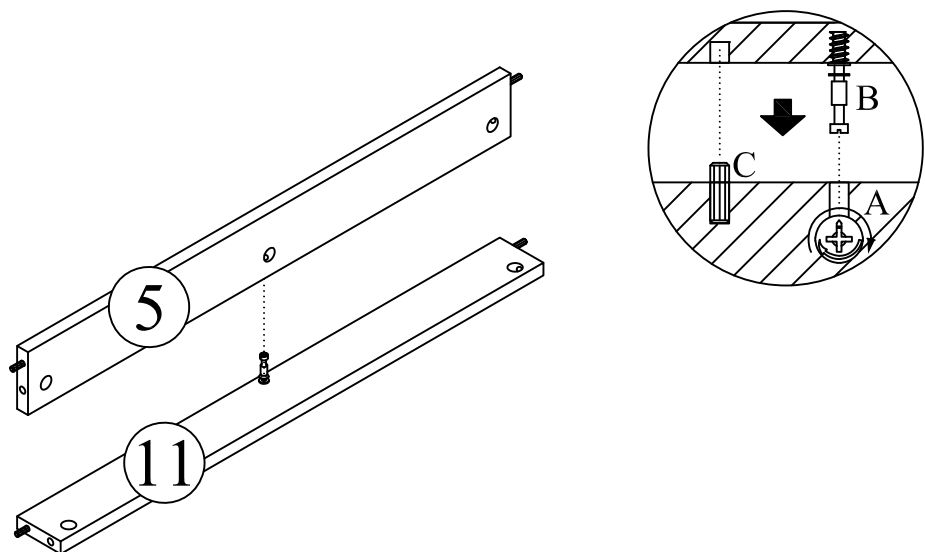


3	A		18
	B		1
	C		18

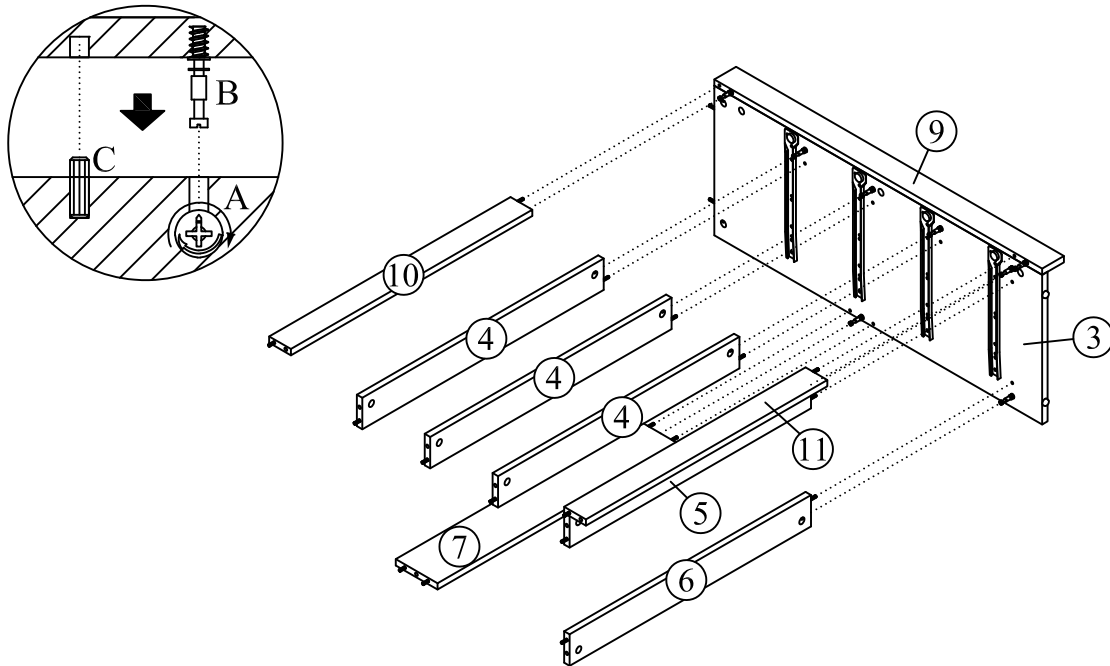
Insert hardware part A & part B using a screwdriver (not provided).  
 Insert hardware part C using a small mallet (not provided).  
**DO NOT** use any power tools as this may damage the frame and will invalidate any claim.



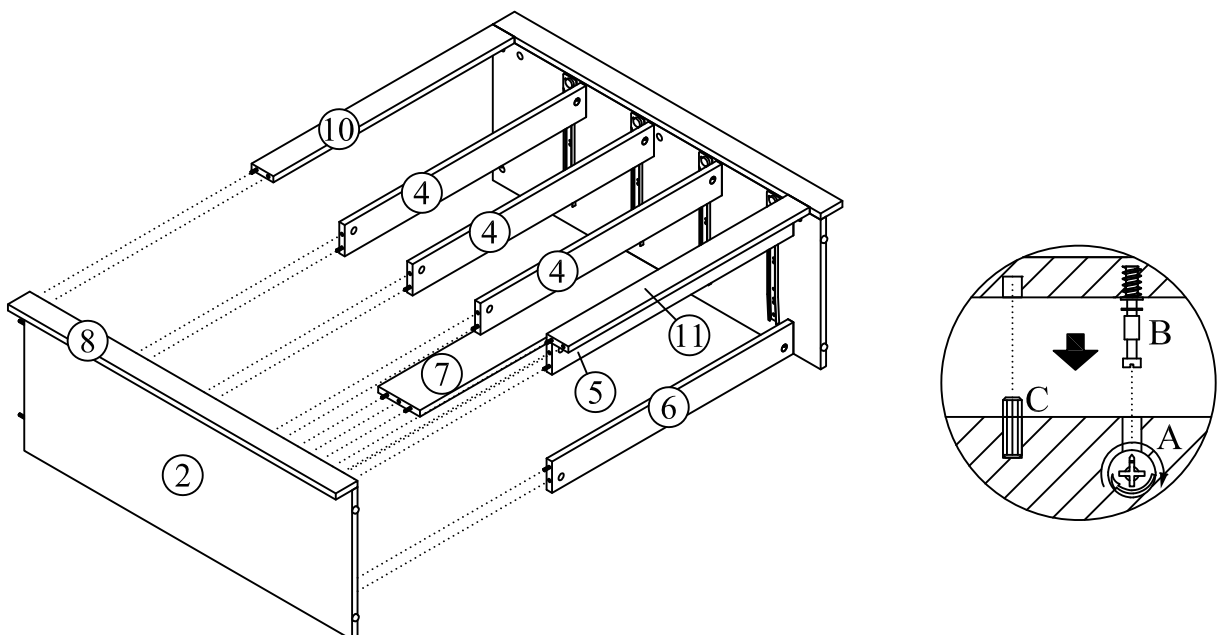
**4** Attach the Bottom Front Panel (5) with Bottom Front Post Panel (11) by screwdriver (not provided).  
**DO NOT** use any power tools as this may damage the frame and will invalidate any claim.



- 5** Attach the Front Support Panel (4) and Bottom Front Panel (5) and Bottom Back Panel (6) and Back Support Panel (7) and Top Front Post Panel (10) and Bottom Front Post Panel (11) to Right Panel (3) and Right Front Post Panel (9) by screwdriver (not provided).  
**DO NOT** use any power tools as this may damage the frame and will invalidate any claim.



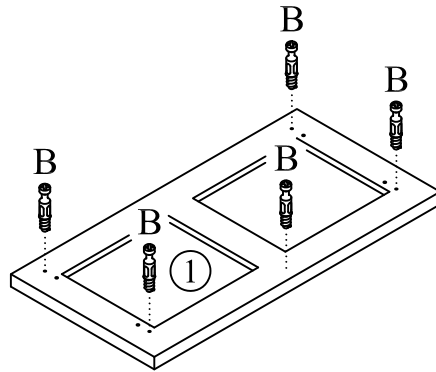
- 6** Attach the Front Support Panel (4) and Bottom Front Panel (5) and Bottom Back Panel (6) and Back Support Panel (7) and Top Front Post Panel (10) and Bottom Front Post Panel (11) to Left Panel (2) and Left Front Post Panel (8) by screwdriver (not provided).  
**DO NOT** use any power tools as this may damage the frame and will invalidate any claim.



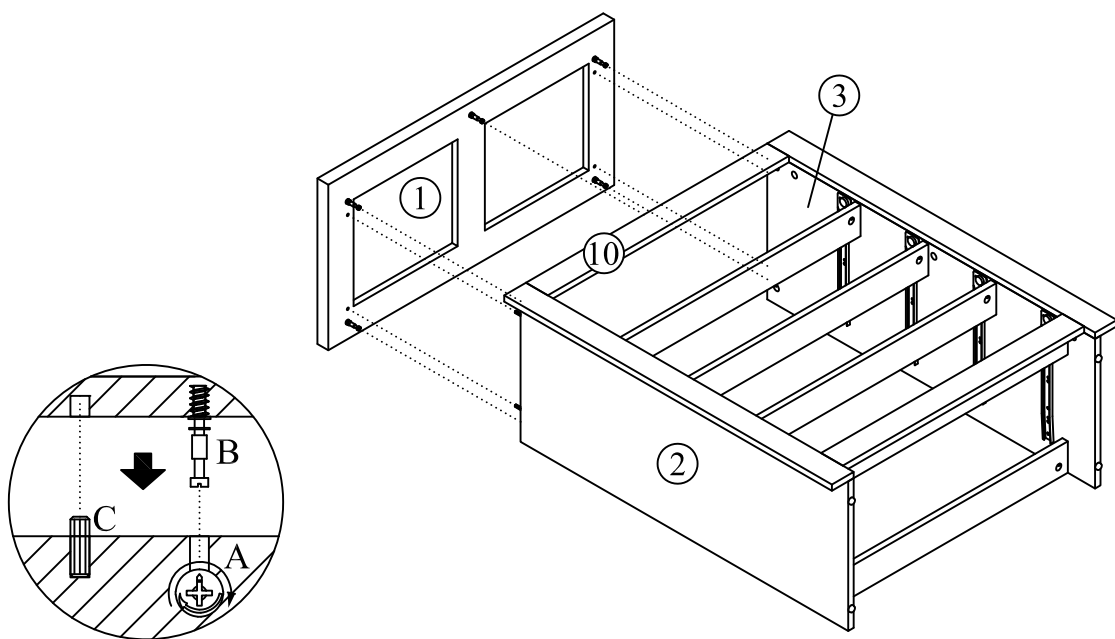
7 

B		5
---	--	---


Insert hardware part B using a screwdriver (not provided).  
**DO NOT** use any power tools as this may damage the frame and will invalidate any claim.



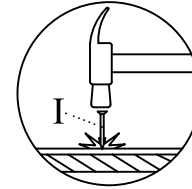
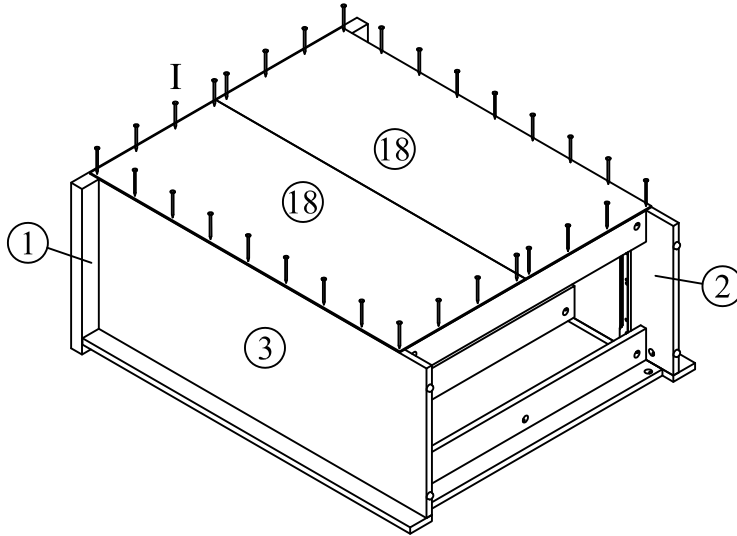
8 Attach the Top Panel (1) to Left Panel (2) and Right Panel (3) and Top Front Post Panel (10) by screwdriver (not provided).  
**DO NOT** use any power tools as this may damage the frame and will invalidate any claim.




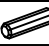
9 

I		35
---	---	----

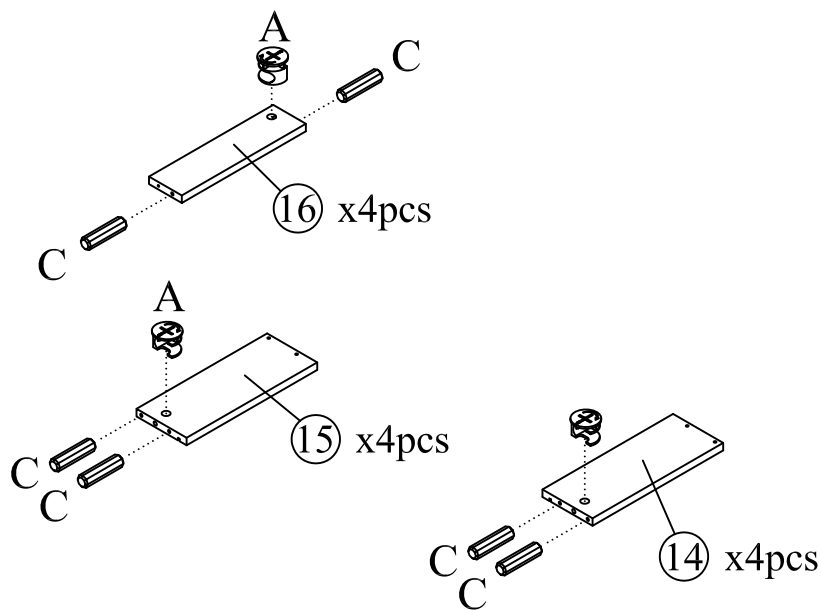
Attach the Back Panel (18) with Nail (I) by small mallet (not provided).  
**DO NOT** use any power tools as this may damage the frame and will invalidate any claim.




10 

A		12
C		24

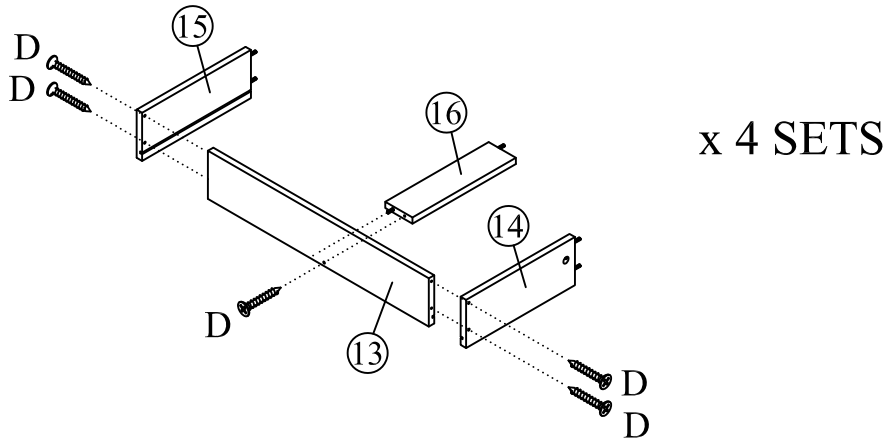
Insert hardware part A.  
 Insert hardware part C using a small mallet (not provided).  
**DO NOT** use any power tools as this may damage the frame and will invalidate any claim.



11 

D		20
---	---	----

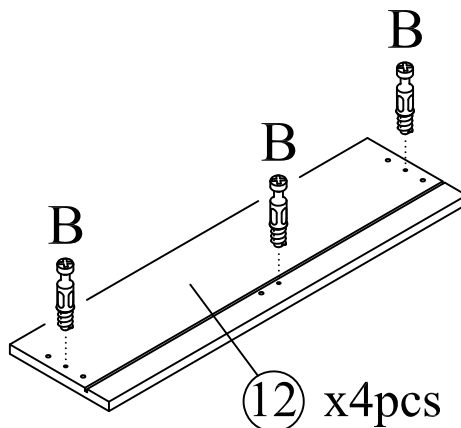
Attach the Drawer Left Panel (14) and Drawer Right Panel (15) and Drawer Support Panel (16) to Drawer Back Panel (13) with Screw (D) by screwdriver (not provided).  
DO NOT use any power tools as this may damage the frame and will invalidate any claim.





12 

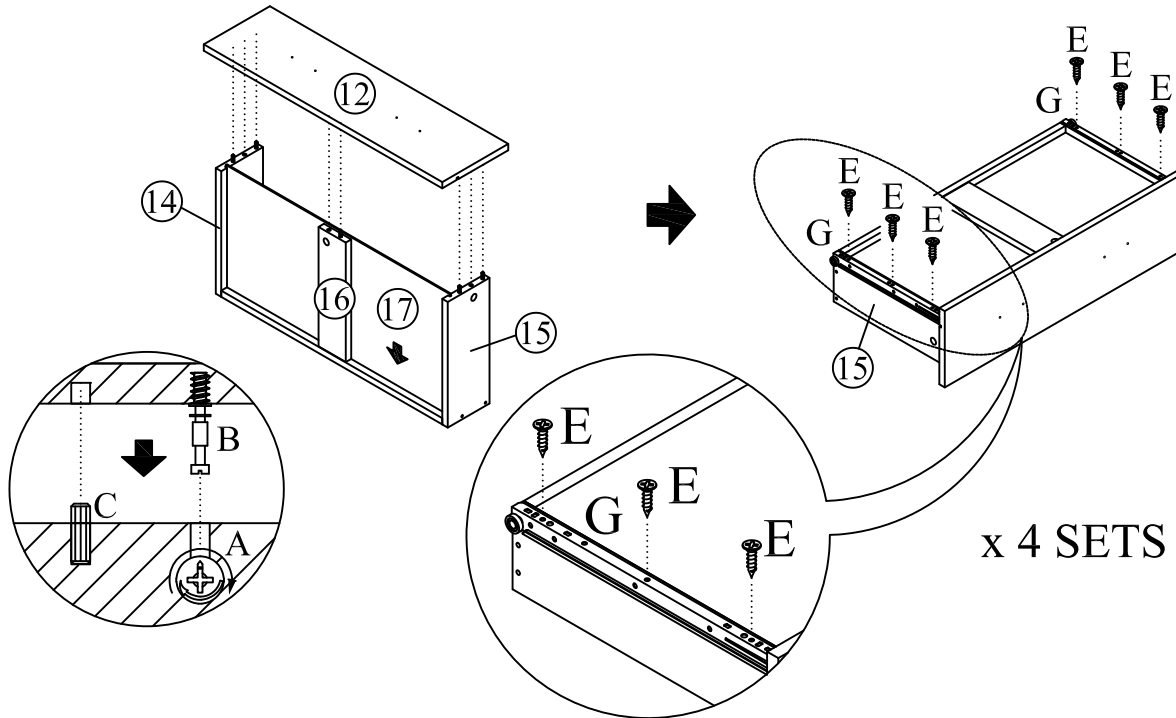
B		12
---	---	----



Insert hardware part B using a screwdriver (not provided).  
DO NOT use any power tools as this may damage the frame and will invalidate any claim.



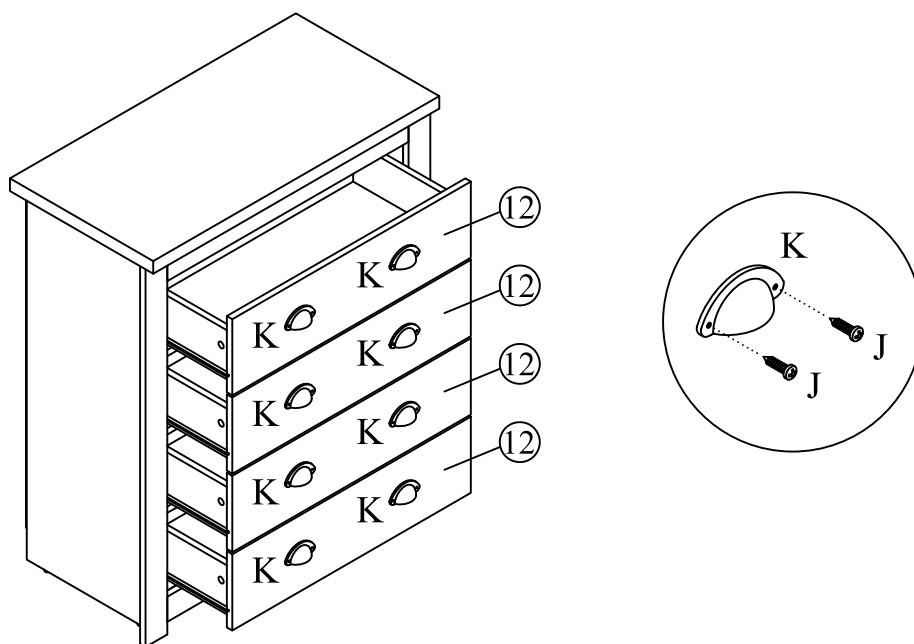
13	E		24
	G		4

Insert Drawer Bottom Panel (17) as shown and fix Drawer Front Panel (12) by screwdriver (not provided).  
 Fix hardware (G) onto the Drawer Left Panel (14) and Drawer Right Panel (15) using Screw (E) by screwdriver (not provided).  
**DO NOT** use any power tools as this may damage the frame and will invalidate any claim.






14	J		16
	K		8

Fix Handle (K) using Screw (J) onto Drawer Front Panel (12) by screwdriver (not provided).  
**DO NOT** use any power tools as this may damage the frame and will invalidate any claim.



15

L		4
M		2
N		4

Fix anti tip strap (M) with washer (L) and screw (N) to top panel (1) by screwdriver (not provided).

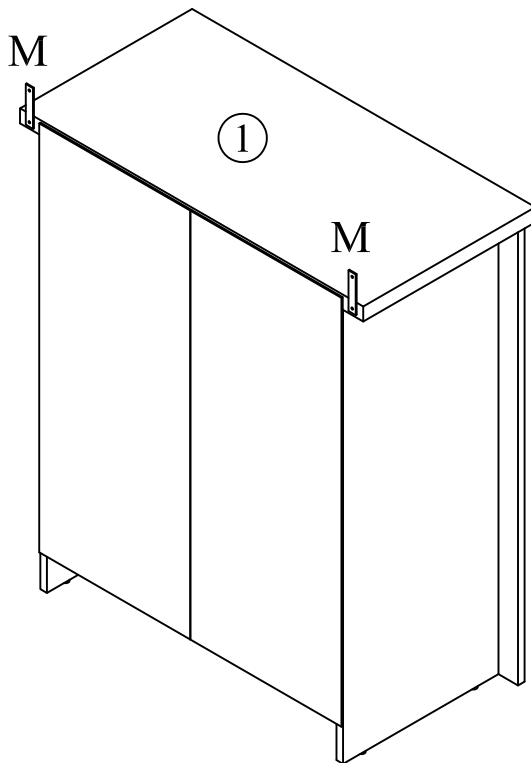
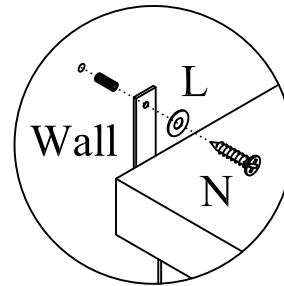
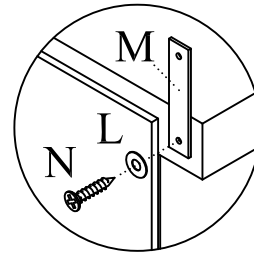
A wall attachment strap is provided with your product, however you will need to source suitable fixings to secure to your wall type.

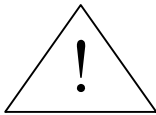
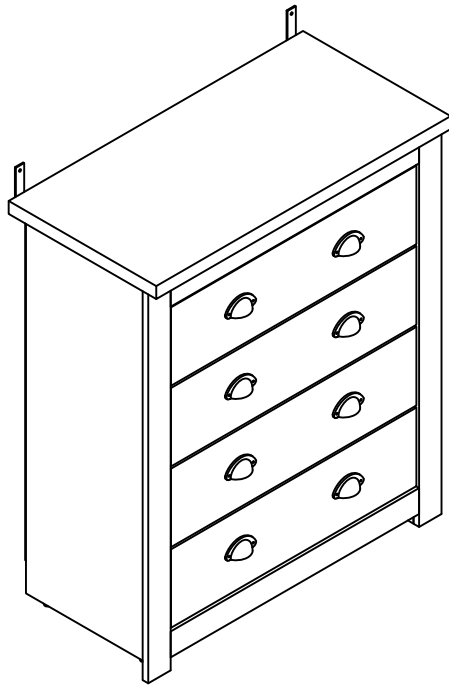
If in doubt consult a qualified trades person.

Always ensure that the wall drilled into is free from hidden electrical wire, water and gas pipes.

**DO NOT** use any power tools as this may damage the frame and will invalidate any claim.

**\*\* We strongly recommend you use the anti tip straps to avoid the risk of serious injury**





## WARNING!

In order to prevent overturning this product must be used the wall attachment device provided. Serious or fatal crushing injuries can occur from furniture tipping over. To help prevent topple over:-

- Use the wall attachment devices provided
- Never allow children to climb or hang on drawers or doors
- Do not overload the drawer beyond maximum recommended loading
- Place heaviest items in the lower drawers or shelves
- Unless specifically designed to accomodate, do not set TV's or other heavy objects on top of this product
- Never open more than one drawer at a time
- Do not hang things from the doors

An attachment device is provided with your product, however you will need to source suitable fixings for your wall type.

If in doubt consult a qualified trades person.

Always ensure that the wall to be drilled into is free from hidden electrical wire, water and gas pipe.

# Birlea®

.Additional Information:

.For complete product information, images and dimension diagrams please visit the website [www.birlea.com](http://www.birlea.com)

.If you have any issues with your item please contact the retailer directly you purchased it from who will be able to resolve any issues with Birlea.

.Why don't you send us photos of your assembled furniture to [info@birlea.com](mailto:info@birlea.com) to be shared in our #birleahome feature on Instagram.