

NEXT

Thank you for shopping with us

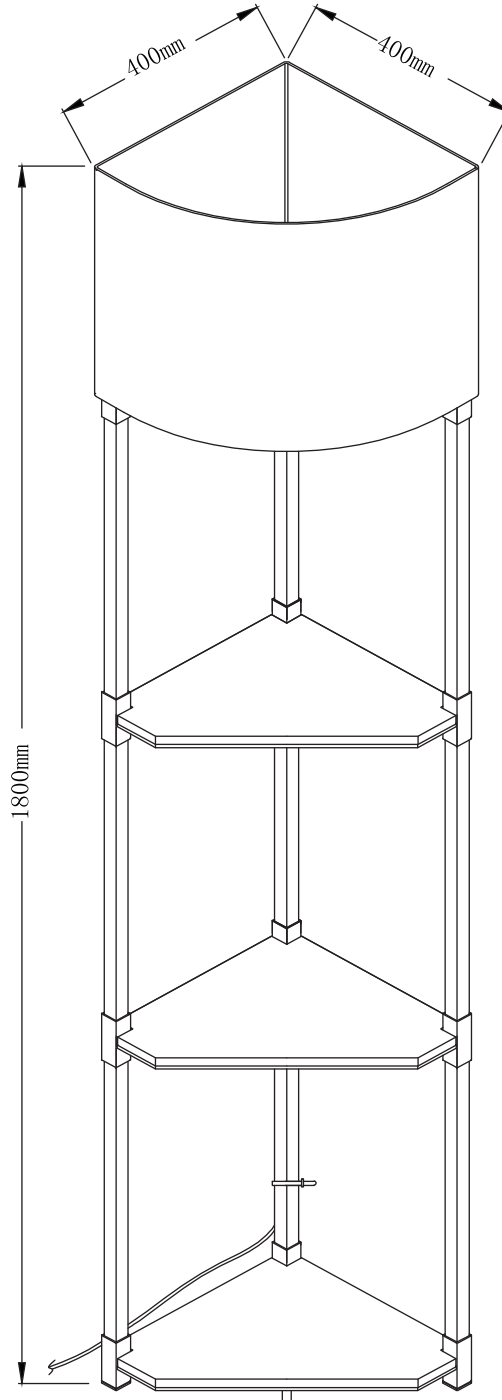
NEXT

MALVERN CORNER FLOOR LAMP

D36085

Assembly Instructions

Actual Product Size
W400*D400*H1800mm



IMPORTANT - RETAIN FOR FUTURE REFERENCE

Need Help?

with: Assembly instructions,
missing or damaged parts

CALL:0333 777 8999

BEFORE YOU START

Warnings

We suggest you retain these instructions for future reference

For your safety, this product must be installed in accordance with local Building Regulations. If in any doubt, or required by the law, consult a competent person who is registered with an electrician self-certification scheme. Further information is available online or from your Local Authority

This light is suitable for indoor use only

We suggest you retain these instructions for future reference

Light fittings should be connected to a 5 amp fused circuit

Before commencing installation, isolate the circuit to be used by removing the fuse or circuit breaker at the consumer distribution unit

Do's

We suggest you spend a short time reading through this leaflet before you start

When you are ready to start, make sure that you have the right tools and plenty of space

Unwrap all packaging materials and place the components on top of the carton box or on a clean floor to protect it from damage

We recommend that the packaging is used to protect the surfaces during assembly

Carefully check that you have all the parts before beginning assembly

Ensure the product is fully assembled as illustrated and all fixings fully tightened before use. Check fixings regularly to ensure they remain tight

Always switch off the supply before changing light bulbs or cleaning

Allow bulbs to cool down before handling

Use Max 10W LED bulb (not included)

Don'ts

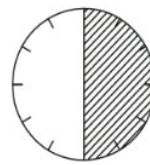
The fitting should not be fixed to newly painted or plastered surfaces as this may cause discolouration of the finish

We recommend cleaning with a soft dry cloth, do not use abrasive materials as these will rub away the protective coating

Number of people required to assemble

One person who is competent with electrical wiring and installation, however we do recommend that this item is installed by a qualified electrician

Time to assemble



30mins

Tools required

Cross Head Screwdriver
Flat Screwdriver
Insulating Tape

Missing parts

If you are missing any fixtures and fittings for your product please contact our customer service team on 0333 777 8999 and they will be happy to help.

Cleaning Care

We recommend cleaning with a soft dry cloth. Do not use abrasive materials as these will rub away the protective coating.

Maintenance

To ensure your safety, if the cable becomes damaged it must be replaced by only a qualified person.

Safety information

For your safety, please remember the following:

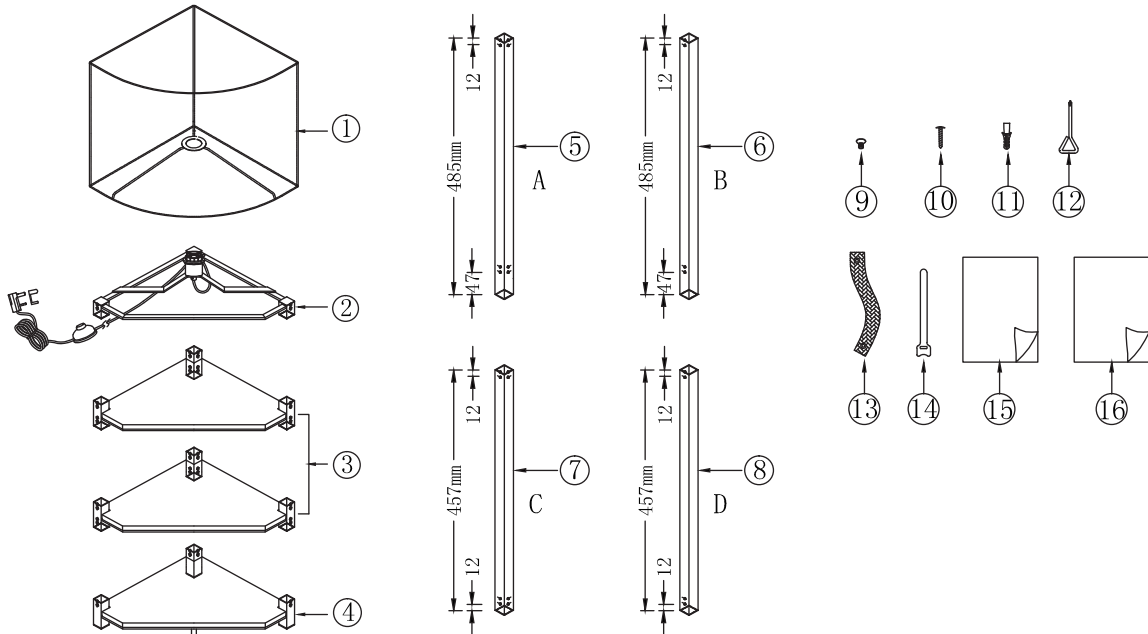
- Always switch off the power supply before changing light bulbs or cleaning .
- Allow bulbs to cool down before handling.

You can write to us at

Home Customer Services
Next Retail Ltd,
Desford Road,
Leicester,
LE19 4AT

To view our full range please visit
www.next.co.uk

GETTING TO KNOW YOUR PRODUCT



Ref	Description	Specification	Qty	Remark
1	Lamp shade	L400*W400*H404MM	1	Packed in carton
2	Top metal frame		1	Packed in carton
3	Middle wooden shelf		2	Packed in carton
4	Bottom wooden shelf		1	Packed in carton
5	Metal stem A	L25*W25*H485MM	1	Packed in carton
6	Metal stemB	L25*W25*H485MM	2	Packed in carton
7	Metal stemC	L25*W25*H457MM	2	Packed in carton
8	Metal stem D	L25*W25*H457MM	4	Packed in carton
9	Screws	M4*L6MM	53	Packed in fixing pack
10	Fixing screw	L38MM	1	Packed in fixing pack
11	Rawl plug	L38MM	1	Packed in fixing pack
12	Screw driver		1	Packed in fixing pack
13	Fabric wall strap	L210*W24MM	1	Packed in fixing pack
14	Cable tie	L155*W12MM	1	Packed in fixing pack
15	Assemeby instruction	A3 X 2	1	Packed in fixing pack
16	Re-package instruction	A4 X 1	1	Packed in fixing pack

NEXT

MALVERN CORNER FLOOR LAMP

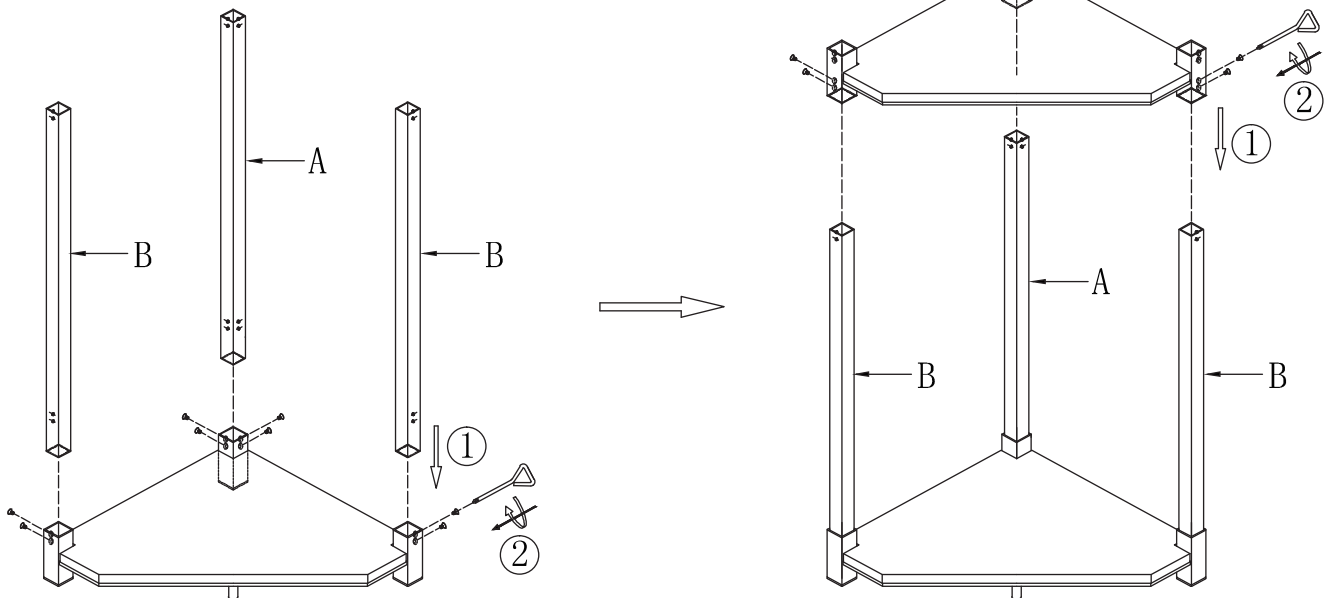
D36085

Assembly Instructions

1

Step 1

Insert the metal stem A & B into bottom wooden shelf and tighten them by using the screws. Then insert the middle wooden shelf into lamp body and also tighten it by using the screws.



NEXT

MALVERN CORNER FLOOR LAMP

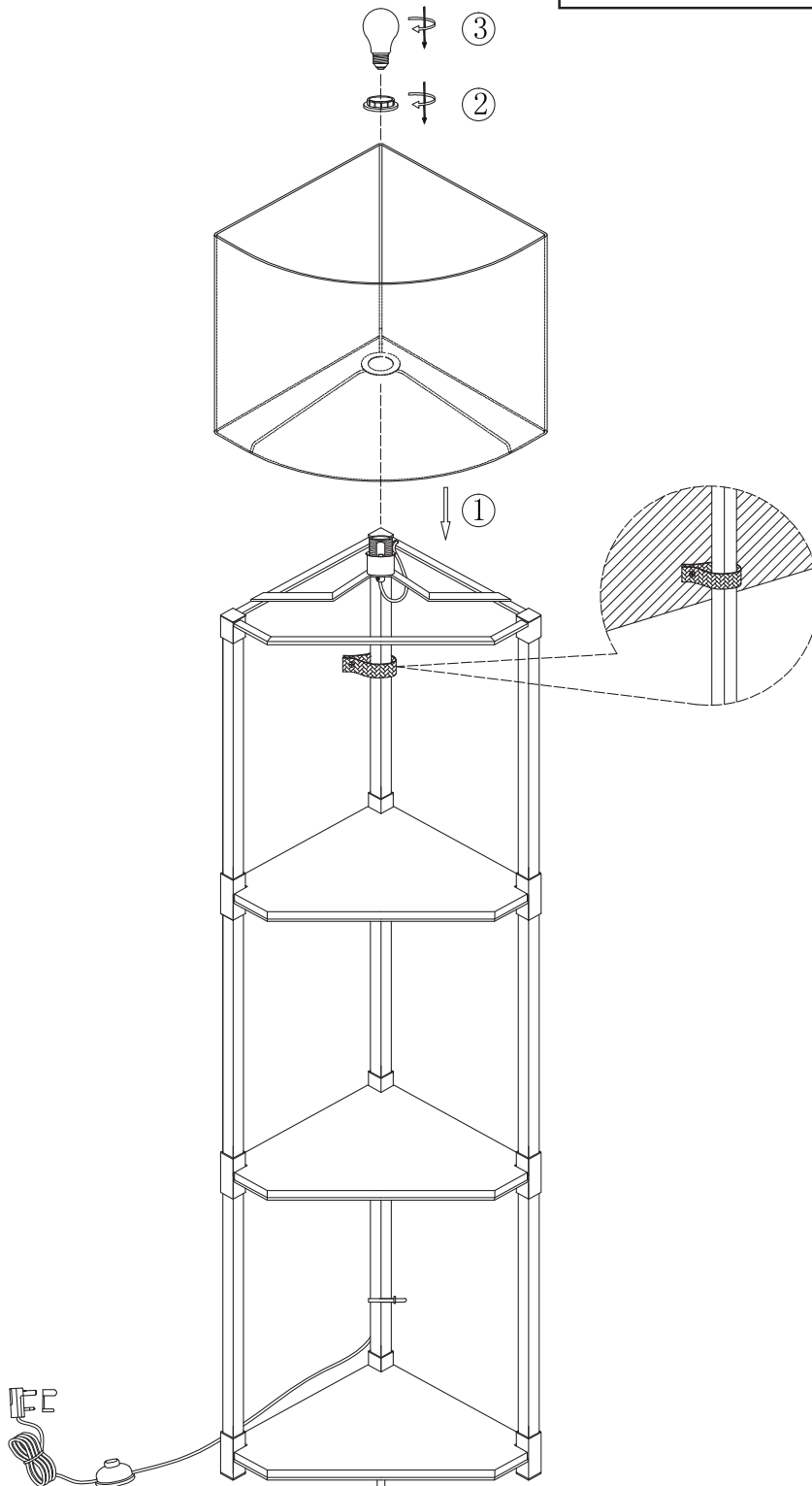
D36085

Assembly Instructions

6

Step 6

Fit the shade onto lamp holder and secure into position with the shade ring. Fit the bulb, don't exceed the maximum wattage.



NEXT

MALVERN CORNER FLOOR LAMP

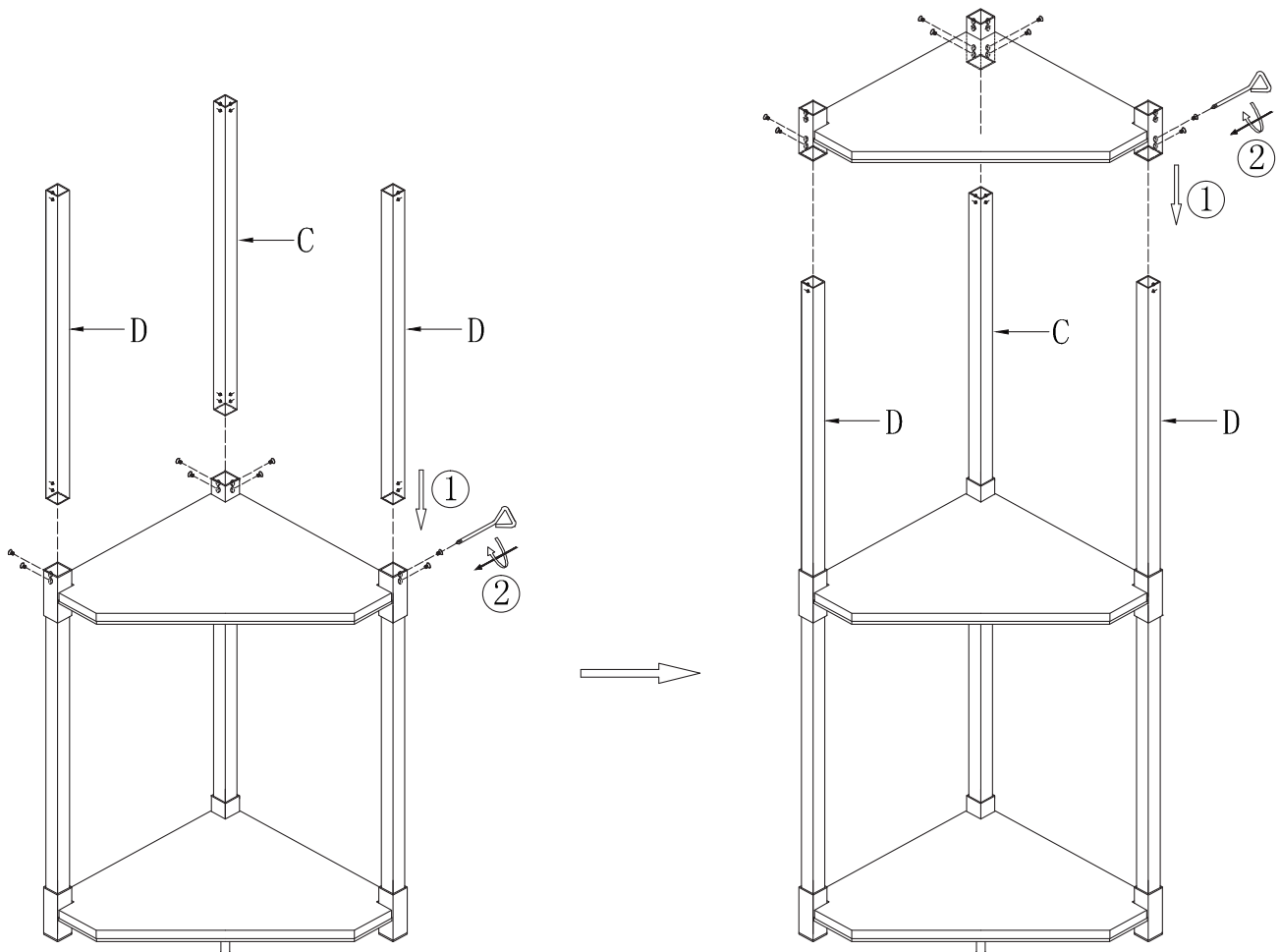
D36085

Assembly Instructions

2

Step 2

Insert the metal stem C & D into middle wooden shelf and tighten them by using the screws. Then insert the other middle wooden shelf into lamp body and also tighten it by using the screws.



NEXT

MALVERN CORNER FLOOR LAMP

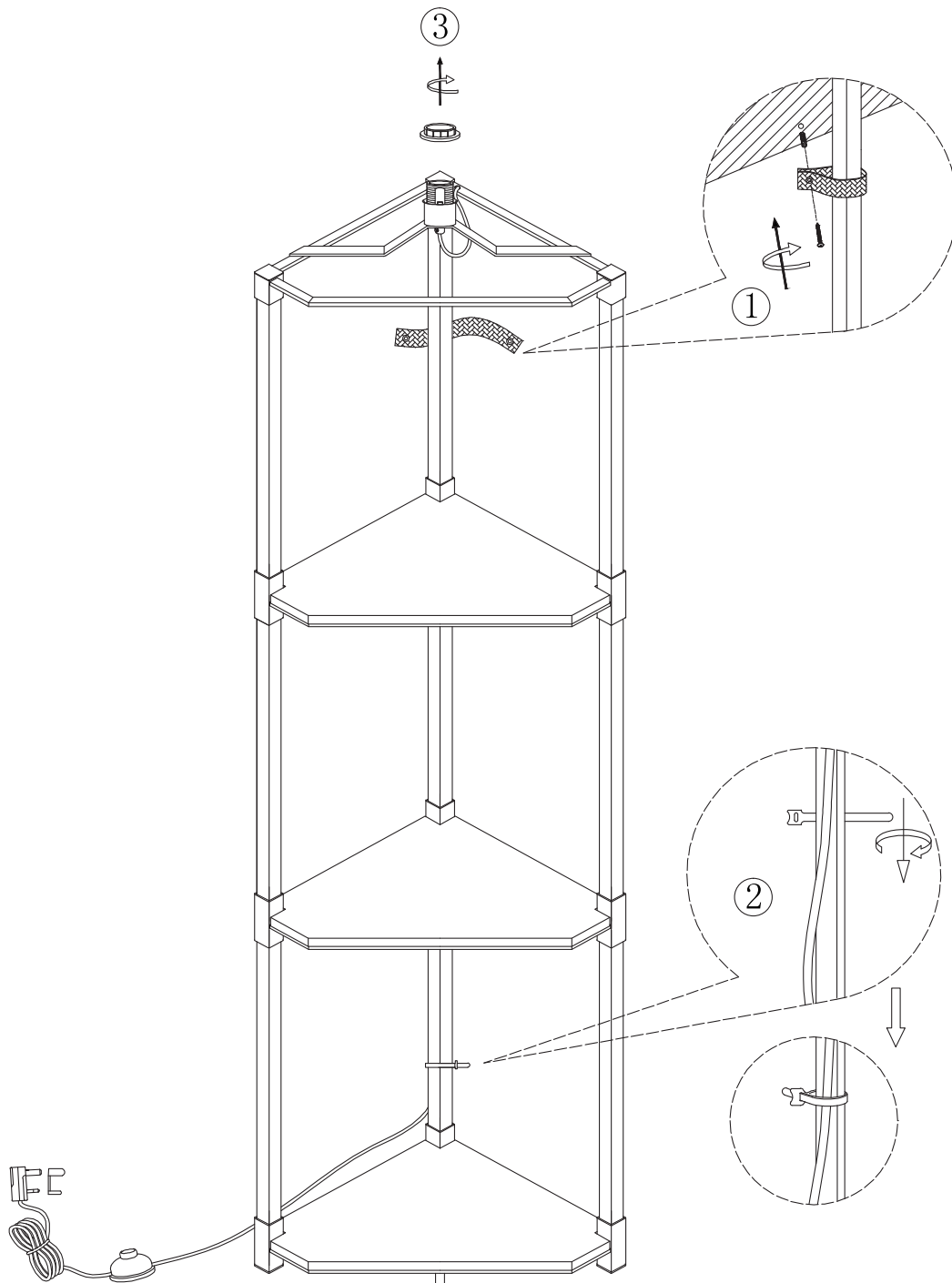
D36085

Assembly Instructions

5

Step 5

A fabric wall strap is included with in the fixing pack, should you choose to attach the floor lamp to the wall. Taking care not to damage any wiring or piping on the wall when drilling the hole for the rawl plug. Screw the wall strap to the wall using the fixing screw supplied (see section 1). The cable can be attached to the leg by using the cable tie supplied (see section 2). Remove the shade ring from lampholder (see section 3).



NEXT

MALVERN CORNER FLOOR LAMP

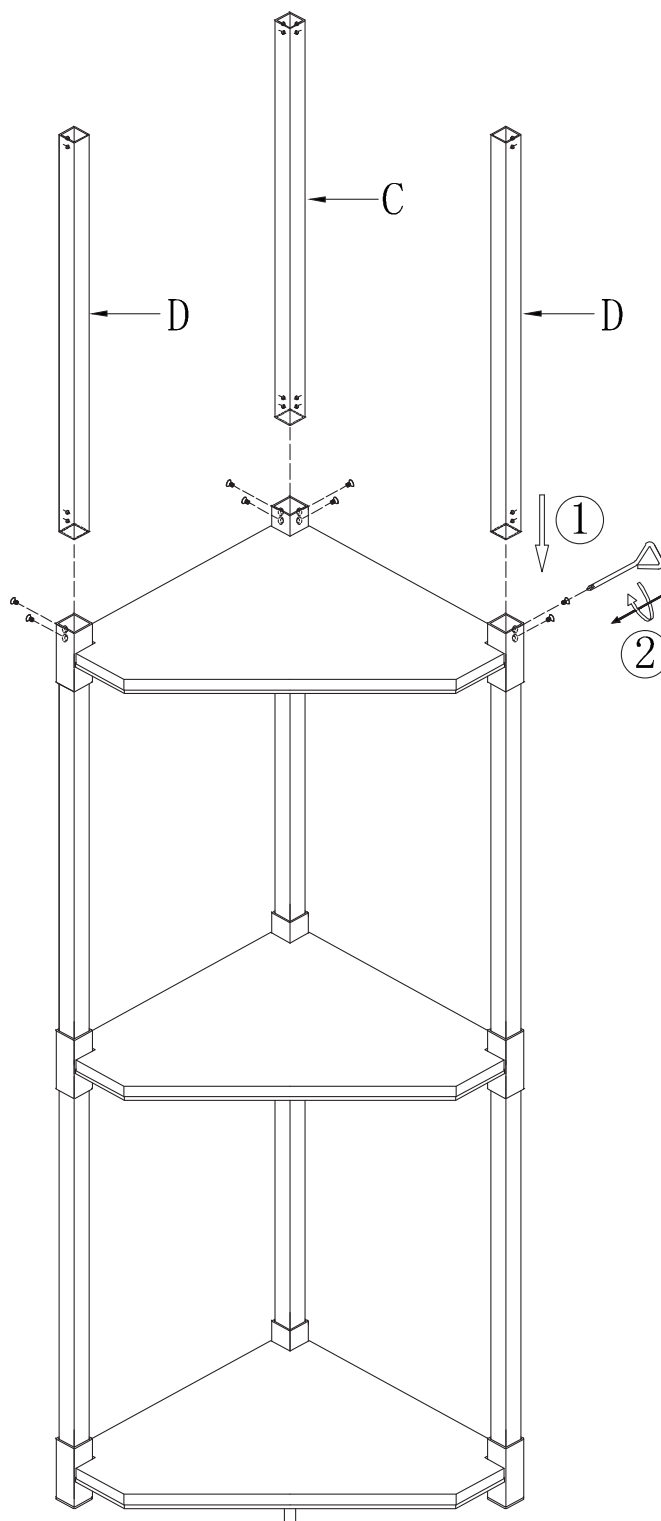
D36085

Assembly Instructions

3

Step 3

Continue to insert the metal stem C & D into middle wooden shelf and tighten them by using the screws.



NEXT

MALVERN CORNER FLOOR LAMP

D36085

Assembly Instructions

4

Step 4

Insert the top metal frame into lamp body and tighten it by using the screws.

