

NEXT

Thank you for shopping with us

NEXT

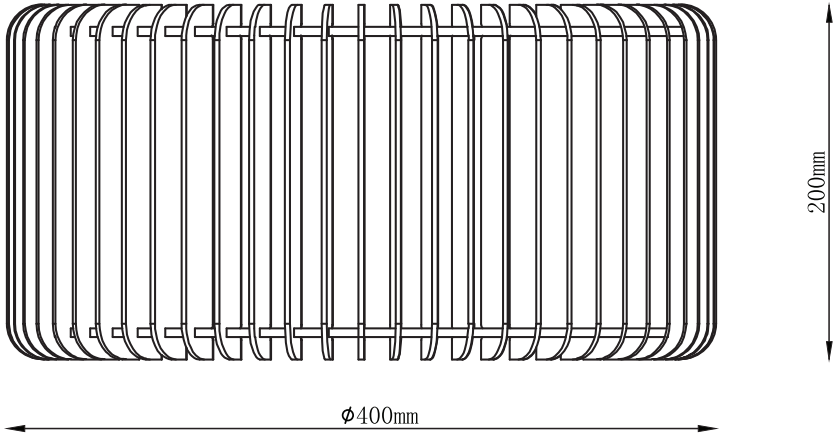
ANDERS EASY FIT

D93671

Assembly Instructions

Actual Product Size

$\Phi 400 * H200mm$



Need Help?

With: Assembly instruction
Missing or damaged parts

CALL:0333 777 8999

IMPORTANT - RETAIN FOR FUTURE REFERENCE

BEFORE YOU START

Warnings

We suggest you retain these instructions for future reference

This light is suitable for indoor use only

Do's

We suggest you spend a short time reading through this leaflet before you start

When you are ready to start, make sure that you have the right tools and plenty of space

Unwrap all packaging materials and place the components on top of the carton box or on a clean floor to protect it from damage

We recommend that the packaging is used to protect the surfaces during assembly

Carefully check that you have all the parts before beginning assembly

Ensure the product is fully assembled as illustrated and all fixings fully tightened before use. Check fixings regularly to ensure they remain tight

Always switch off the supply before changing light bulbs or cleaning

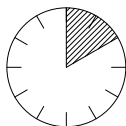
Allow bulbs to cool down before handling

Don'ts

Do not position this product in an area, subject to humid or moist conditions.

Do not allow moisture to come into contact with electric parts.

Time to assemble



10mins

Tools required

Scissor for unpacking

Missing parts

If you are missing any fixtures and fittings for your product please contact our customer service team on 0333 777 8999.

Cleaning Care

We recommend cleaning with a soft dry cloth. Do not use abrasive materials as these will rub away the protective coating.

Maintenance

To ensure your safety, if the cable becomes damaged it must be replaced only by a qualified person.

Safety information

For your safety, please remember the following:

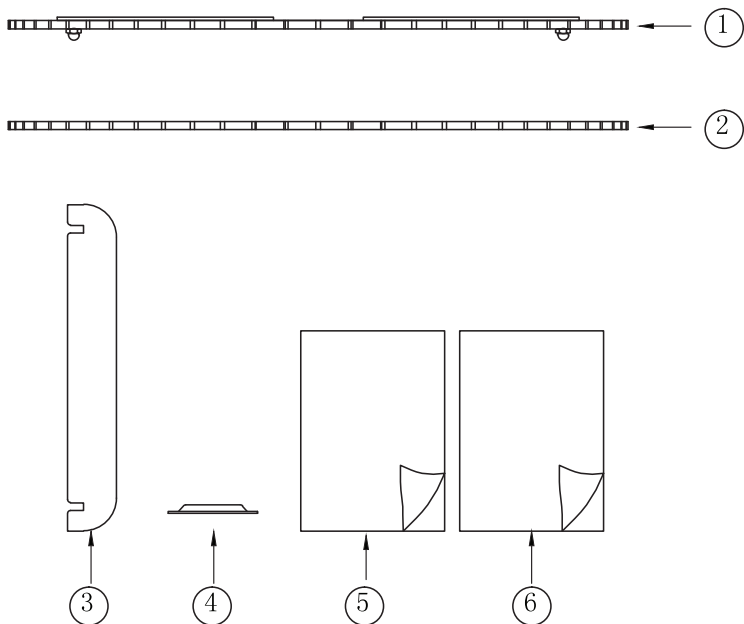
- Always switch off the power supply before changing lightbulbs or cleaning
- Allow bulbs to cool down before handling.

You can write to us at

Home Customer Services
Next Retail Ltd,
Desford Road,
Leicester,
LE19 4AT
or
Next Retail (Ireland) Ltd,
13-18 City Quay,
Dublin 2,
D02 ED70

To view our full range please visit
www.next.co.uk

GETTING TO KNOW YOUR PRODUCT



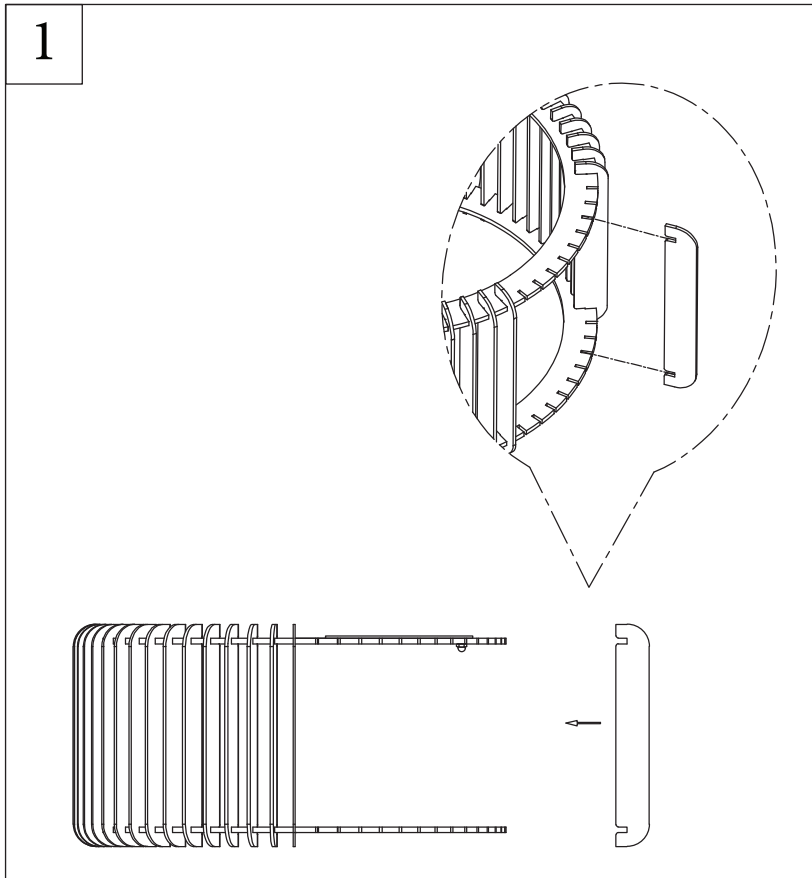
Ref	Description	Specification	Qty	Remark
1	Top frame	Φ380mm	1	Packed in carton
2	Bottom ring	Φ380mm	1	Packed in carton
3	Wood panels	L200*W30mm	61	Packed in carton
4	Gimbal	Φ55*H5mm	1	Packed in fixing pack
5	Assembly instructions	A4 X 2	1	Packed in fixing pack
6	Re-package instructions	A4 X 1	1	Packed in fixing pack

Assembly Instructions

Unpack the contents of the carton. Lay the contents out on a flat surface giving yourself room to work.

Step 1

Attach all of the wood panels onto the top frame and bottom ring.
(See Figure 1)



Selecting the correct light bulb

Maximum Wattage - 10 Watts

Voltage - 220 - 240Volts

Light bulb type - 10W E27 LED bulb or 10W B22 LED bulb

Do not exceed the maximum wattage as it may cause your light fitting to overheat. Use a soft cloth to handle bulb.

Step 2

Remove lampholder ring from lampholder. Fit the lamp shade and gimbal onto lampholder and secure into position with the lampholder ring. Then fit the bulb (See Figure 2).

