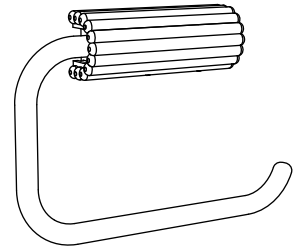


# RIBBED TOILET ROLL HOLDER

# NEXT

Item no.E08314

## Tools Needed



## Helpline

If you have any problems with this product please contact customer services Tel: 0333 777 8000

## Important

- We suggest you spend a short time reading through this leaflet and then follow the simple step by step instructions.
- Carefully check that you have all parts before beginning assembly.
- We suggest you retain these instructions for future reference.
- Move unit into desired position.
- Secure the unit to the wall with an appropriate screw and wall plug for your wall type.
- Ensure your mounting surface and method of fixing is strong enough to support the product.
- You can secure the ribbed toilet roll holder in two ways: with wall plugs & screws or a 3M adhesive pad, as shown in the assembly instructions.
- Made in China.

## Care instructions

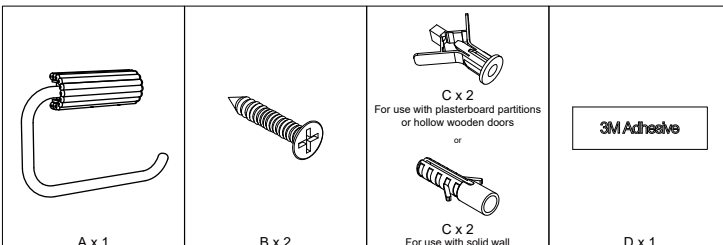
- Wipe occasionally with a soft cloth slightly dampened with water. Then buff with a dry clean soft cloth.

## You can write to us

Name and Address : Next Retail Ltd.Desford Road Enderby,Leicester LE19 4AT  
Next Retail (Ireland) Ltd, D02 ED70

Style NO. E08314

## Fitting

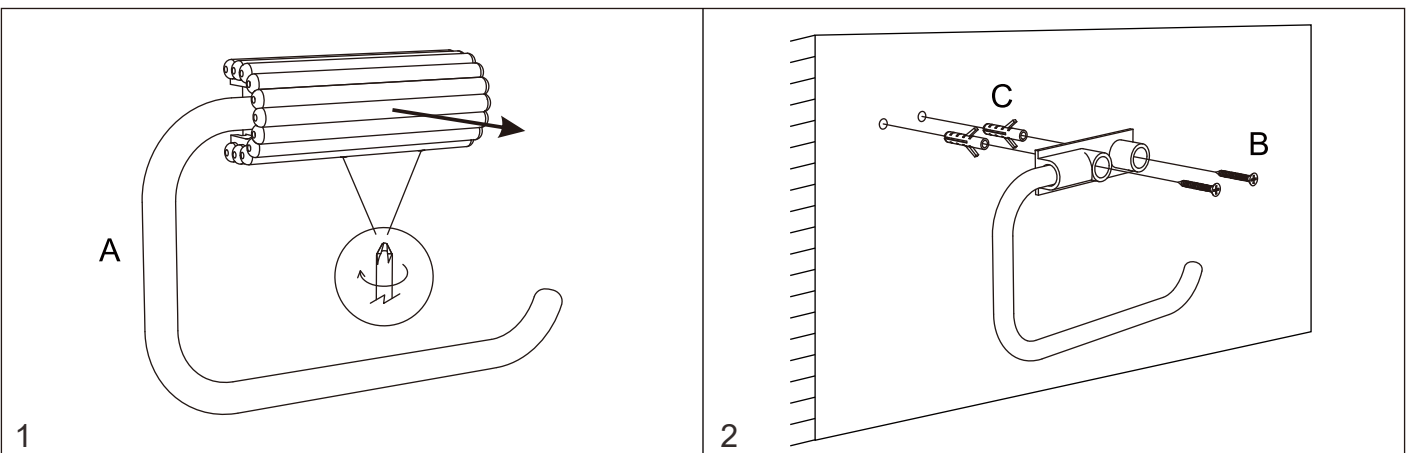


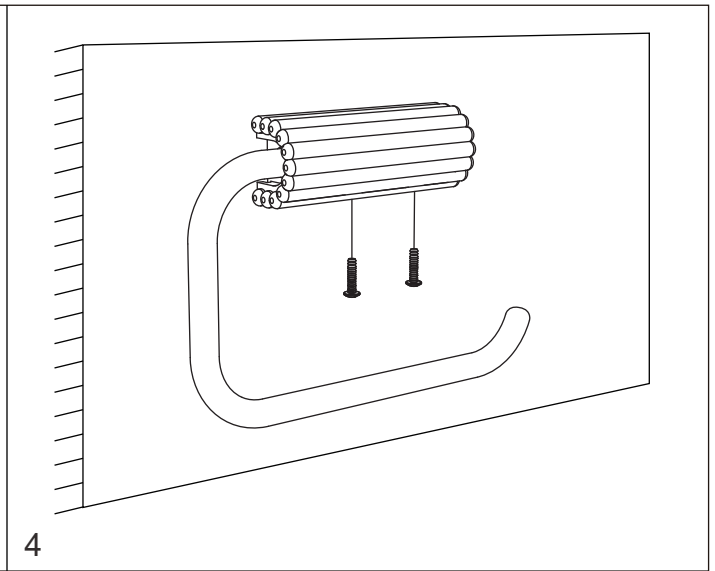
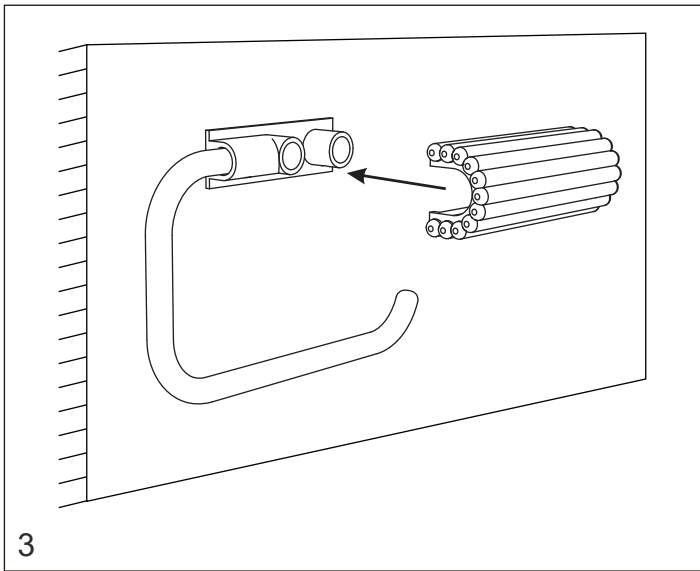
## Assembly Instructions with wall plugs & screws

Step 1. Loosen the screws from the holder (A), then separate the ribbed cover from the holder (A).

Step 2. Mount the holder (A) on the wall using wall plugs (C) and screws (B).

Step 3 & 4. Secure the the ribbed cover onto the mounted holder (A).





### Assembly Instructions with 3M adhesive

Step 1. Peel the protective film from the 3M adhesive pad.

Step 2. Apply the 3M adhesive pad to the back of the ribbed toilet roll holder (A).

Step 3. Peel the protective film from the 3M adhesive pad.

Step 4. Press the ribbed toilet roll holder (A) firmly onto the wall. Leave at least 24 hours before hanging items on the ribbed toilet roll holder (A) to ensure proper adhesion.

