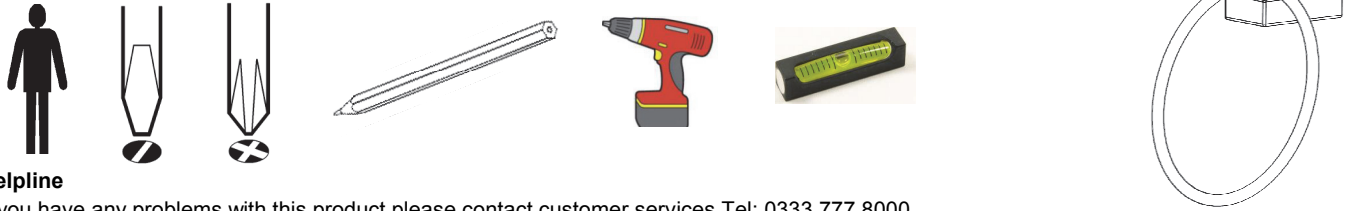


E08312 E08319 ENTRY TOWEL RING

NEXT

Tools Needed


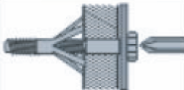


Helpline

If you have any problems with this product please contact customer services Tel: 0333 777 8000

Important

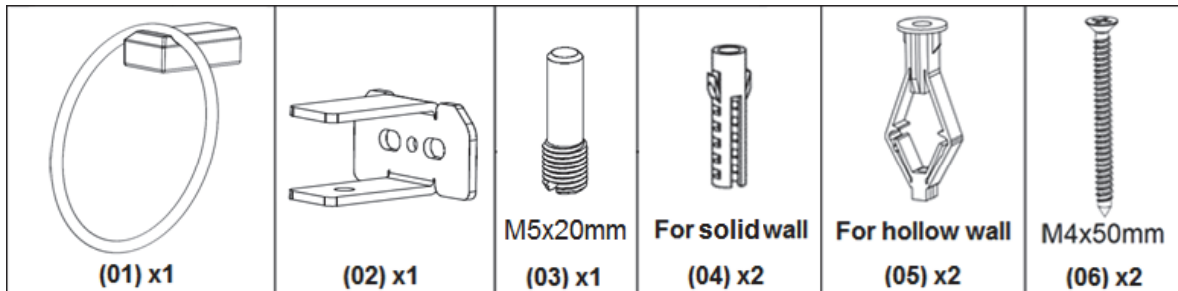
- Please spend a short time reading through this leaflet and follow the simple step by step instructions.
- Carefully check that you have all parts before beginning assembly.
- Keep fittings out of children's reach and keep children away from construction.
- We suggest you retain this instruction for future reference.
- Wall fixtures and fittings are supplied for the right wall types only. For wall type of plasterboard, partitions, or hollow walls. The plugs are only suitable to wall thickness of 10-12mm, Please use the suitable plugs as your walls type.
- Suggest to make periodic check to ensure that all screws are fully tightened.
- Made in China

Wall Type	General wall material	Plasterboard, partitions or hollow walls
Light Load	 Standard Wall Plug	 Cavity Fixing Wall Plug

Care instructions

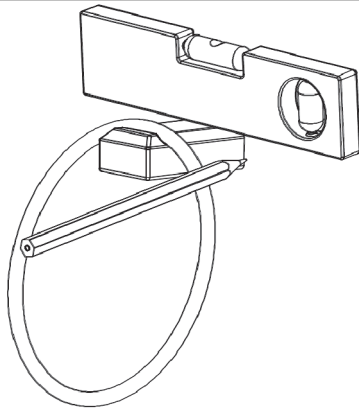
- Do not use abrasive cleaners or cleaners containing bleach.
- To prevent corrosion ensure the product does not come into prolonged contact with water. Wipe away excess moisture.

Fittings

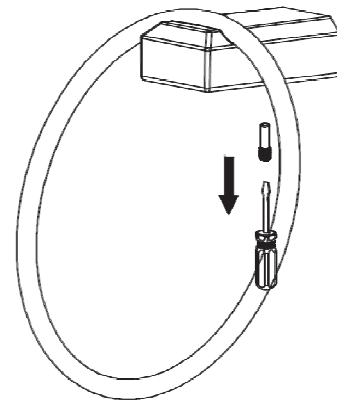


Assembly Instructions

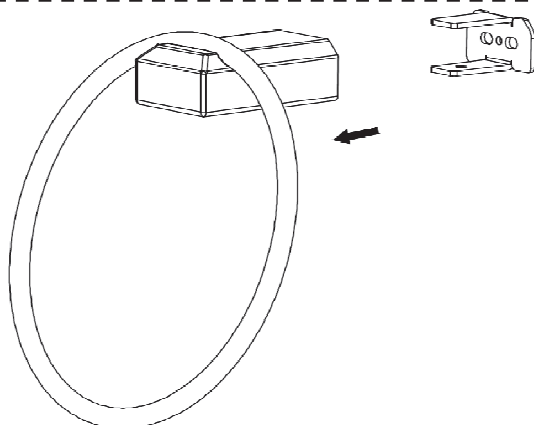
1



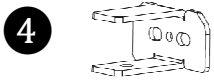
2



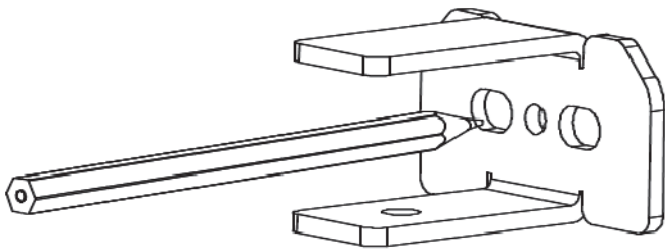
3



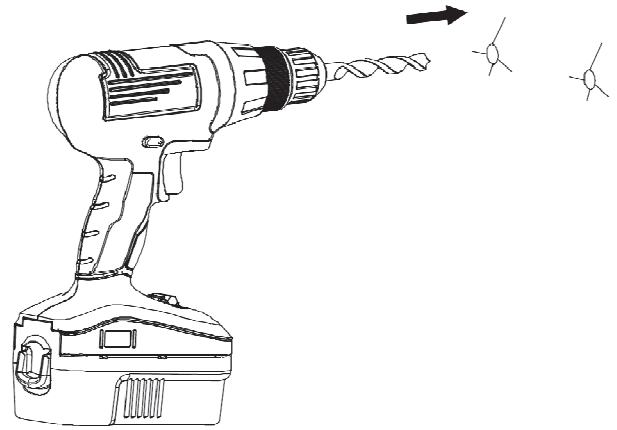
Please refer to next page



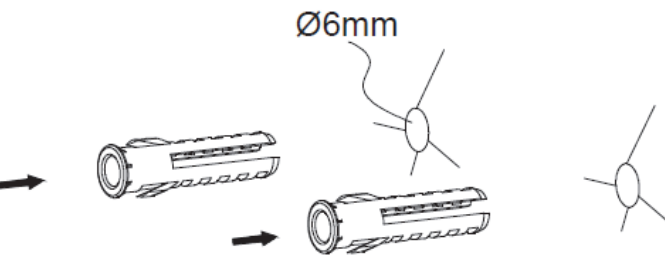
(02)x1



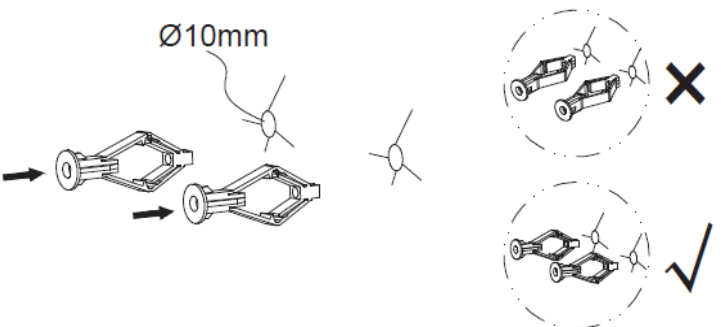
5



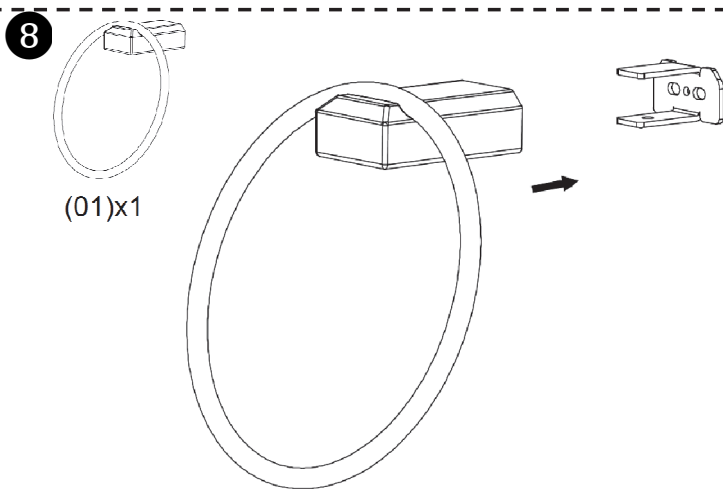
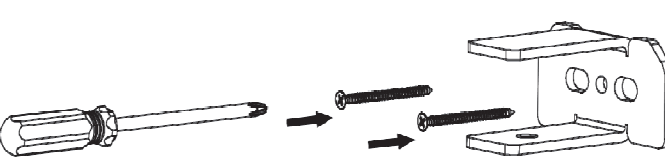
6 - A For solid wall (04)x2



6 - B For hollow wall (05)x2



7 M4x50 (06)x2 (02)x1



9 M5x20 (03)x1 Press and hold the base first then lock the screw

