

BEFORE YOU GET STARTED...

We're confident you'll love your gorgeous new Next furniture. However, it's worth making absolutely certain before you put it all together.

So, let's quickly run through these three steps:

1. COLOUR

Make sure you're happy with the colour
No need to unpack everything, just check the first component.

2. PROTECTIVE PACKAGING

If you're happy, then it's time to get opening! Start by laying everything out on the protective packaging – this will prevent anything getting scratched.

3. PARTS PAGE

Finally, double check you have all the pieces by referencing the parts page of the instructions.

TIPS FOR RETURNS

Not completely happy with the product? No problem. We just need everything back in the original packaging, so follow the steps below and this will ensure a super-smooth returns process and no delay to your refund.

DO



- Check everything is there (the 'parts page' is a handy checklist).
- Pop all the loose fittings and fixtures into the packaging provided or tie them up in a plastic bag.
- Wrap all the big components back up in the original protective packaging.
- Close up the box and seal it securely (don't be afraid to use plenty of tape).

DON'T



- Leave anything assembled - all components should be dismantled and separately packed.
- Put loose fixtures and fittings straight into the box.
- Throw it back in the box carelessly – as it may get damaged.

next
HOME

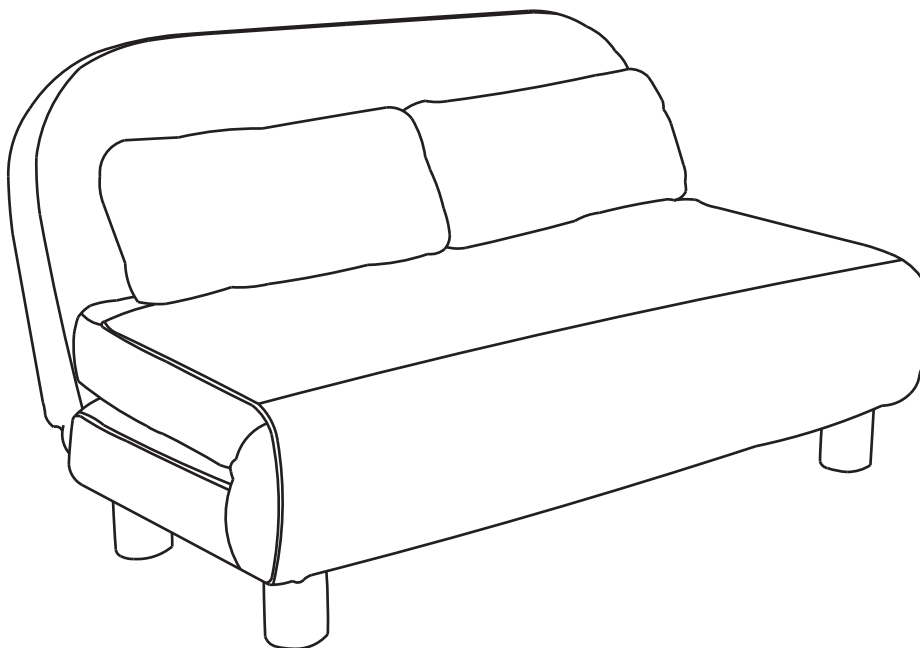
Then just give us a call on 0333 777 8999 and we'll sort out a pick up time for you.

NEXT

PALMA SOFA BED

Assembly instructions

Actual product size:
W136 x D88 x H80 cm



ITEM	DESCRIPTION	COMPOSITION
E12113	PALMA SBED CSBL LN	100% Polyester
E12114	PALMA SBED BRW LWG	100% Polyester
E12115	PALMA SBED RCH TOF	100% Polyester
E12116	PALMA SBED RCH OLV	100% Polyester
E12117	PALMA SBED SFVL CH	100% Polyester
B68704	PALMA SBED SFVL NV	100% Polyester

Need Help?

With: Assembly instructions
Missing or damaged parts

CALL: 0333 777 8999

IMPORTANT – RETAIN FOR FUTURE REFERENCE

BEFORE YOU START

Warnings

- We suggest you retain these instructions for future reference
- Keep fittings out of children's reach and keep children well away from construction area.
- This product should only be used on firm, level ground
- Please periodically check all fittings and re-tighten as necessary
- Please do not stand or lean back on your furniture
- Avoid exposing the furniture to excessive heat or direct sunlight as this can cause deterioration of the colour
- Keep away from strong heat sources
- Do not use this item if components are missing or broken
- This product contains moving parts. Keep fingers away from moving parts to avoid any possible injury

Do's

- We suggest you spend a short time reading through this leaflet before you start
- When you are ready to start, make sure that you have the right tools and plenty of space
- We recommend that the packaging is used to protect the surfaces during assembly
- Carefully check that you have all the parts before beginning assembly
- Ensure the product is fully assembled as illustrated and all fixings fully tightened before use. Check fixings regularly to ensure they remain tight
- Keep away from strong heat sources.
- To clean your items, please lightly wipe with a slightly dampened cloth. Always wipe dry after cleaning
- For velvet items use a soft brush lightly dress the fabric. Lightly wipe with a slightly dampened cloth to clean.
- For velvet items avoid scratching the fabric as the pile may not recover and permanently mark it

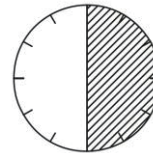
Don'ts

- When moving furniture never drag the pieces across the floor, as this will cause damage to the joints or potential damage to the floor
- Apply Adhesive substrates for example, sticky tape to the product
- Do not use silicone based furniture polish. Silicone in furniture polishes can break down the lacquer finish
- Never allow any kind of liquid to remain on your furniture. Absorption can cause finishes to de-laminate and or stain
- Please do not stand or lean back on your furniture

Number of people required to assemble

Two persons are required to assemble this item.

Time to assemble



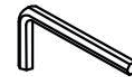
30mins



Tools required



Supplied



Supplied

Missing parts

If you are missing any fixtures and fittings for your product please contact our customer service team on 0333 777 8999 and they will be happy to arrange for a replacement to be sent to you free of charge.

Home service technicians

If you have a fault with your product please contact our customer service team on 0333 777 8999. If you have had the product for 28 days or less you may be offered a replacement, refund or for a fully trained home service technician to visit your home to assess the fault and repair the product where possible. If you have had the product for more than 28 days we will send an independent home service technician to review and repair the product where possible and recommend further action.

You can write to us at

Home Customer Services
Next Retail Ltd,
Desford Road,
Leicester,
LE19 4AT

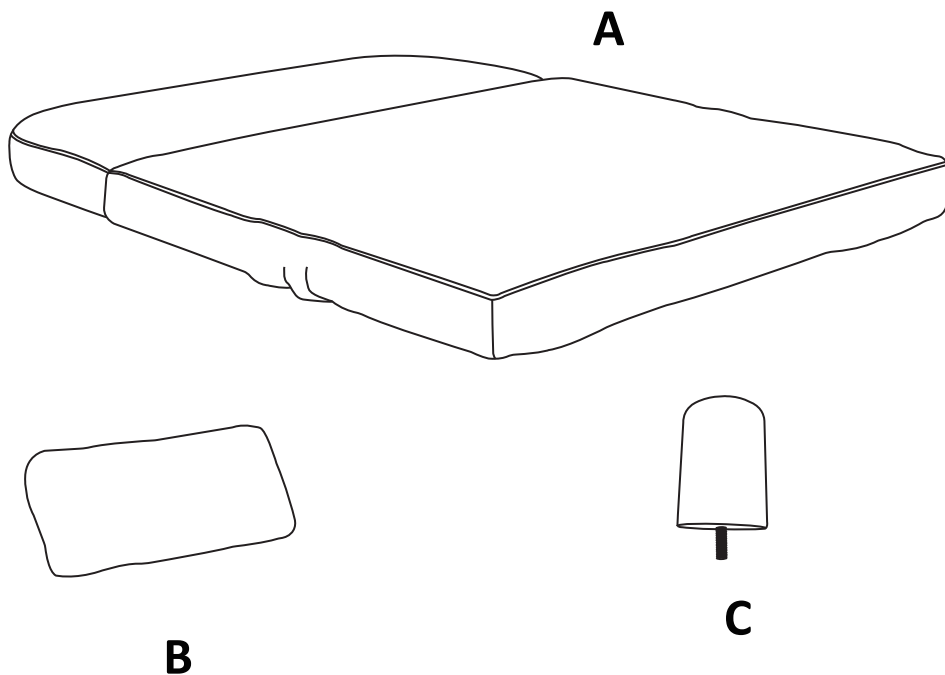
To view our full furniture range please visit
www.next.co.uk

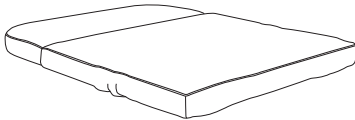


NEXT

PALMA SOFA BED

Assembly instructions

GETTING TO KNOW YOUR PRODUCT



Ref	Dimensions	Visual	Qty	Ctn
A	186*136*13cm		1	
B	62*28*16cm		2	
C	H12 cm		4	

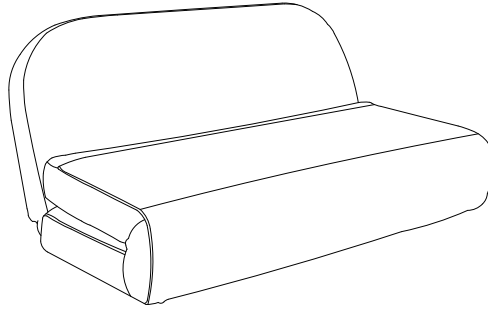
NEXT

PALMA SOFA BED

Assembly instructions

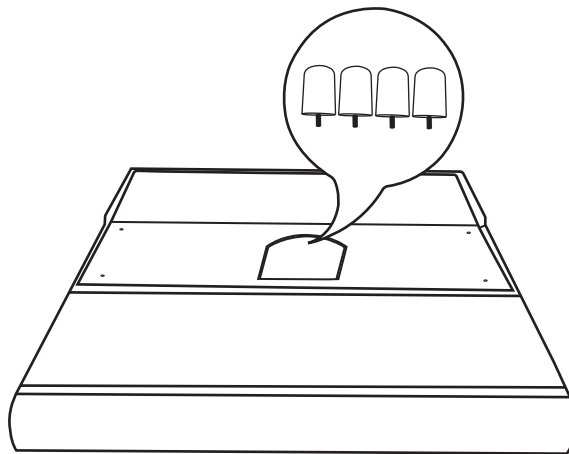
1

NOTE: Open the carton and handle the sofa gently.



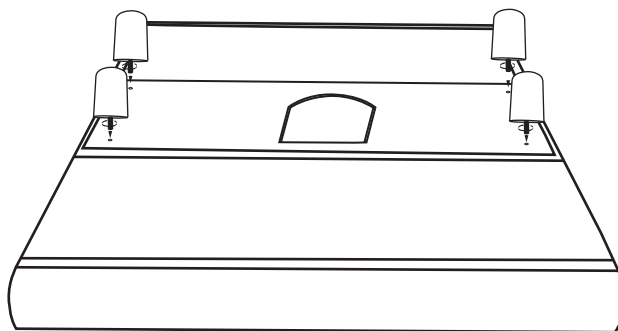
2

NOTE: Legs are located on the underside of the sofa.

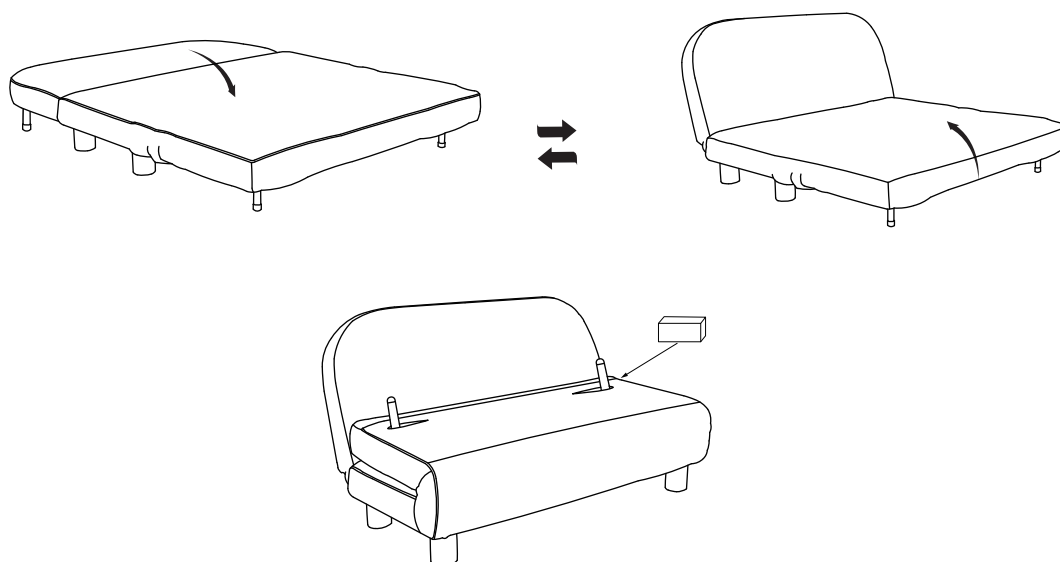


3

NOTE: Install the legs.



How to transform into a sofa



When transforming into the sofa position, fold the seat section up first before the back to ensure a level seating position.

Step 1 - Fold up the seat, fold away the supporting legs and cover with the foam pads before closing the zip.

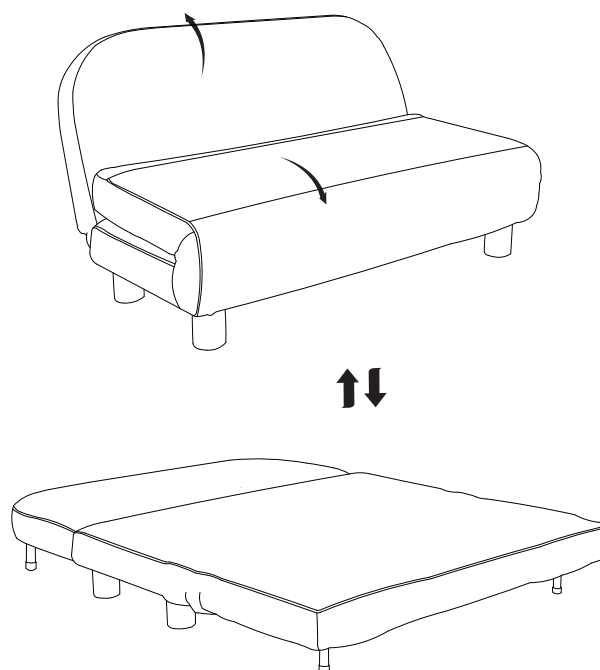
Step 2 - Pull the back of the sofa bed forward until you hear the first lock engage with a loud clicking noise. This will be further forward than the back will rest. Then slowly lean backward until it rests into the upright position.



WARNING

Keep hands and objects clear from moving parts when in operation. Folding mechanism not to be used by children.

How to transform into a bed



When transforming into the bed position, unzip & remove the foam pads from the seat to release the supporting legs. Then fold the seat down. Unzip and release the supporting legs behind the back rest. Pull the back of the sofa forward until you hear the lock disengage with another loud clicking noise. Slowly lower the back until it rests flat.



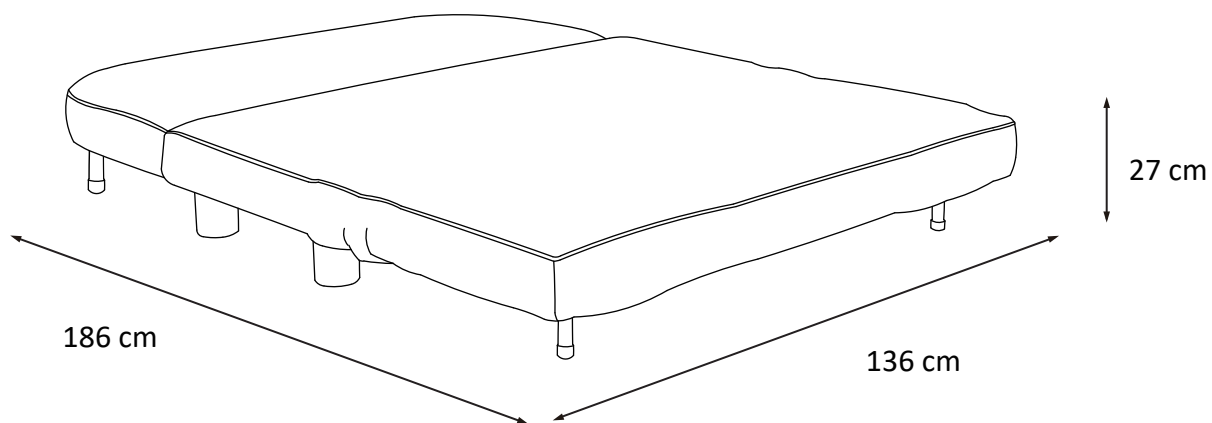
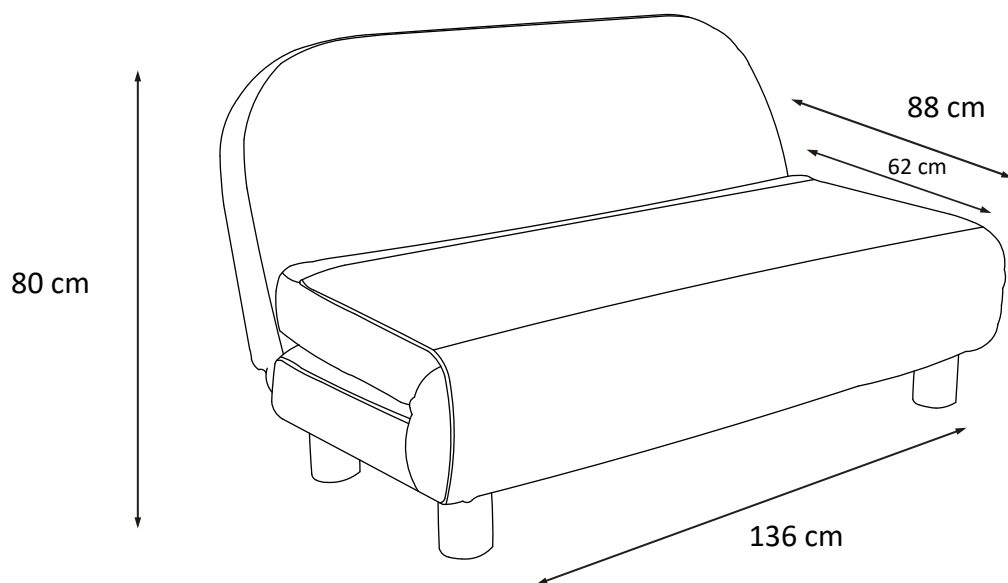
WARNING

Keep hands and objects clear from moving parts when in operation. Folding mechanism not to be used by children.

NEXT

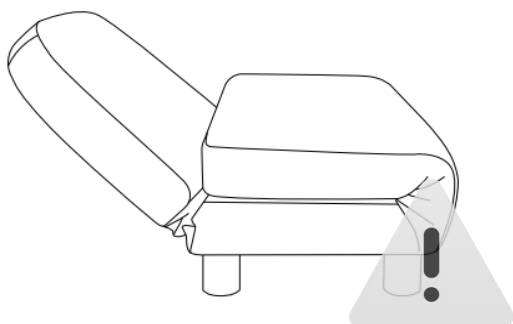
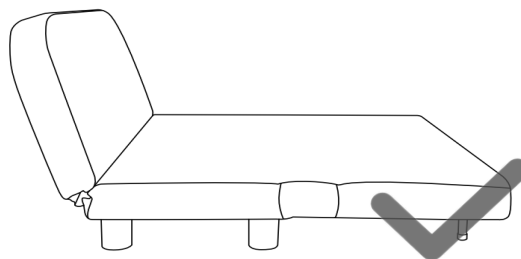
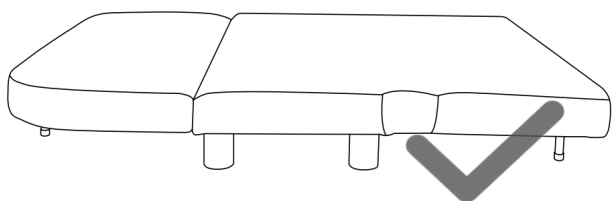
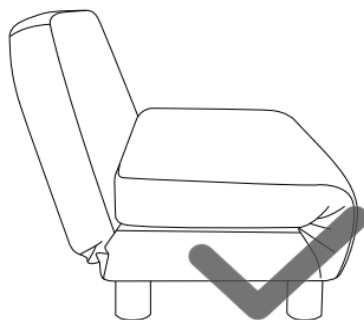
PALMA SOFA BED

Assembly instructions



TIPS

Please use the sofa as shown in the diagram below whenever possible.



Avoid using the sofa backrest at the illustrated angle due to the risk of tipping and potential injury.