

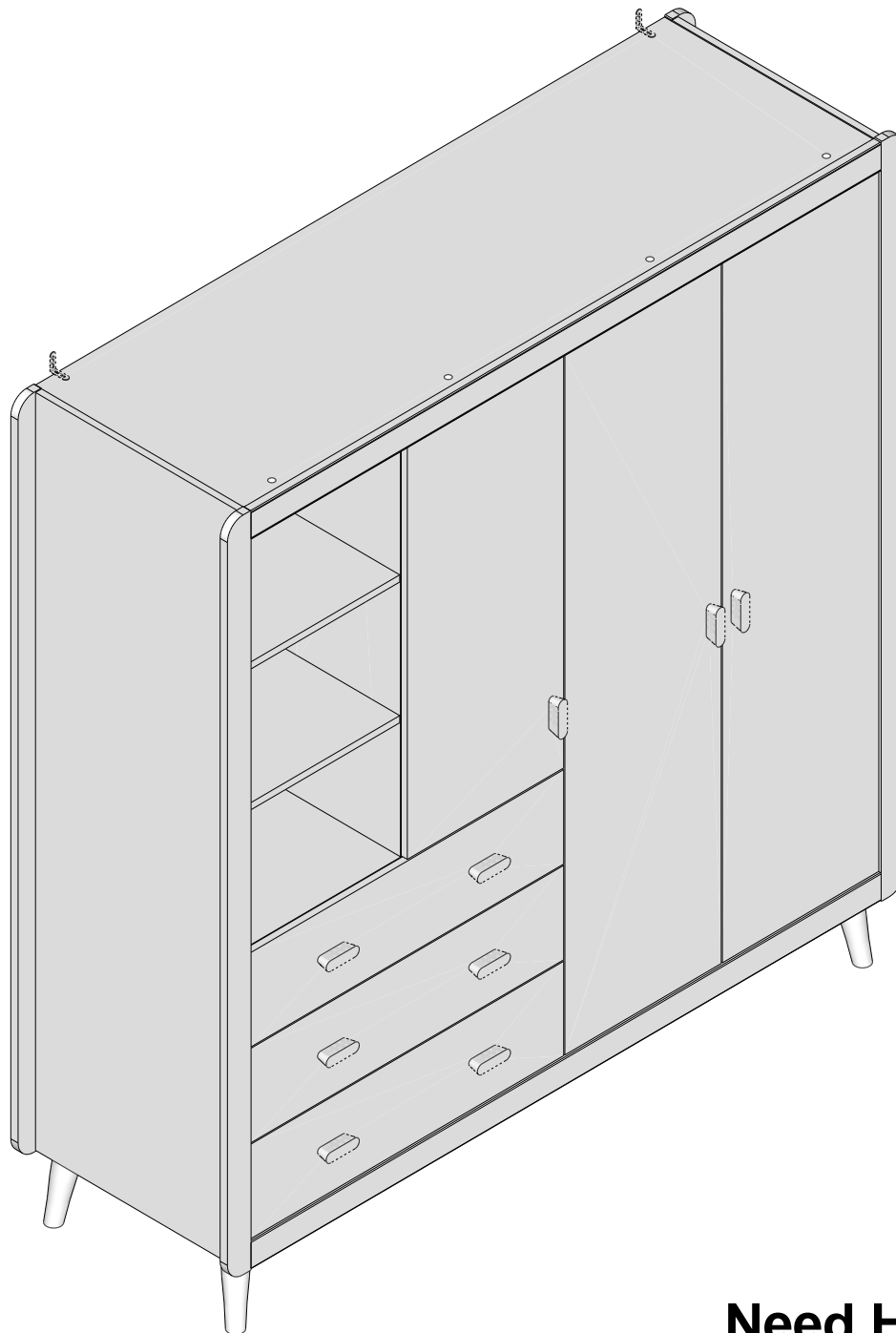
NEXT

ALIX 4 DOOR WARDROBE

E22713

Assembly instructions

Actual product size
H180 x W172 x D55cm



**IMPORTANT -
RETAIN FOR FUTURE REFERENCE -
READ CAREFULLY.**

Need Help ?

With: Assembly instruction
Missing or damaged parts

CALL: 0333 777 8999

NEXT

ALIX 4 DOOR WARDROBE

E22713

Assembly instructions

BEFORE YOU START

Number of people required to assemble

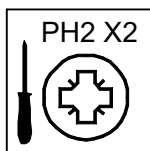
Two people are required to assemble this item



Time to assemble : 30 minutes



Tools required



not supplied

Warnings

We suggest you retain these instructions for future reference

Keep fittings out of children's reach and keep children well away from the construction area

This product should only be used on firm, level ground

Please periodically check all fittings and re-tighten as necessary

Please do not sit or stand on your furniture

Avoid exposing the furniture to excessive heat or direct sunlight as this can cause deterioration of the colour

Unwrap all packaging materials and place the components on top of the carton box or on a clean floor to protect it from damage.

Do's

We suggest you spend a short time reading through this leaflet before you start

When you are ready to start, make sure that you have the right tools and plenty of space

Unwrap all packaging materials and place the components on a clean surface to protect it from damage, We recommend that the packaging is used to protect the surfaces during assembly

Carefully check that you have all the parts before beginning assembly

Due to the size of the product we recommend that it is assembled in the room intended for use

Ensure the product is fully assembled as illustrated and all fixings fully tightened before use

Don'ts

Do not drag or pull your furniture

Do not use silicone based furniture polish. Silicone in furniture polishes can break down the finish

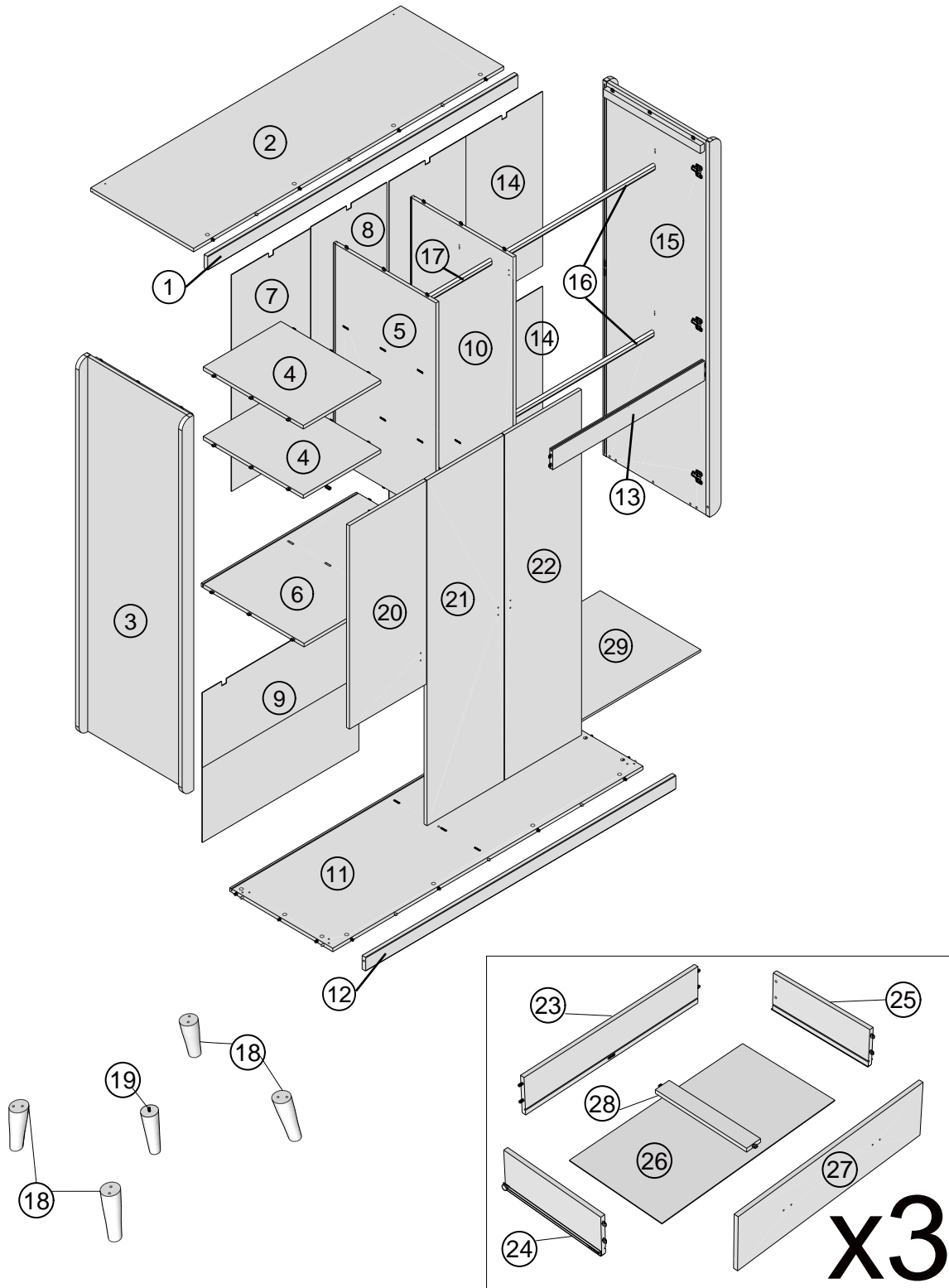
NEXT

ALIX 4 DOOR WARDROBE

E22713

Assembly instructions

GETTING TO KNOW YOUR PRODUCT




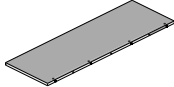
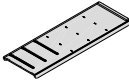



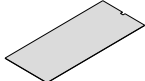
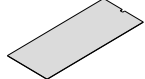
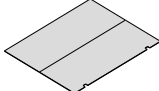
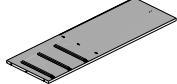
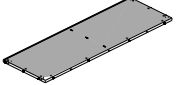

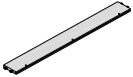
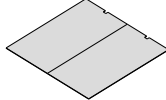
NEXT

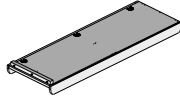


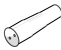


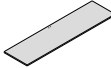
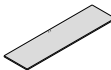

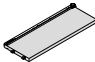


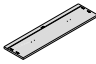


ALIX 4 DOOR WARDROBE

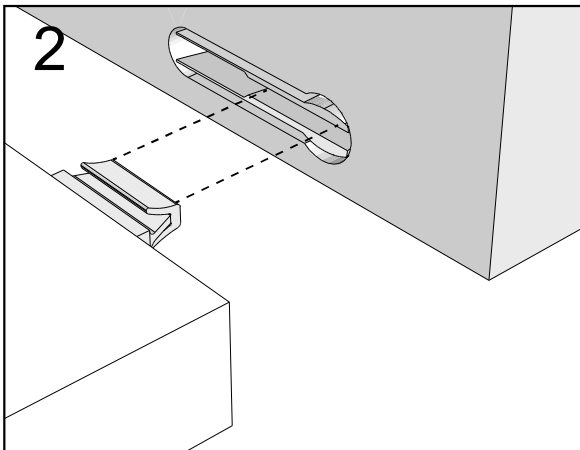
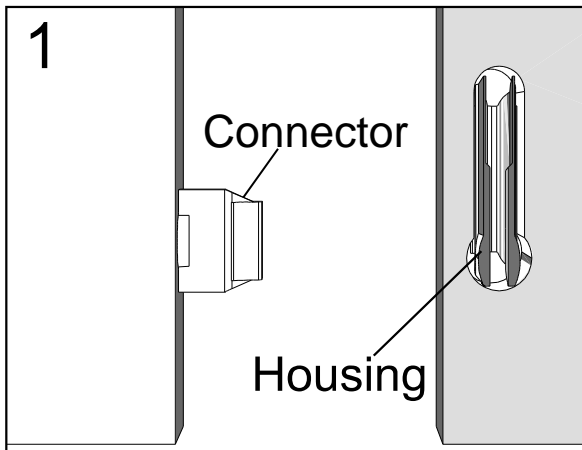
E22713

Assembly instructions

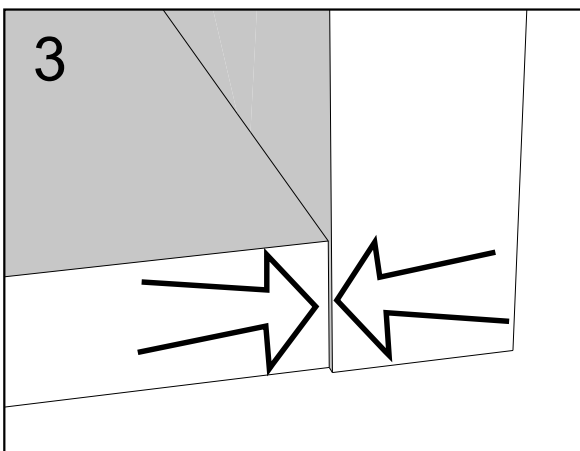
Components supplied. Please use this guide if you require replacement parts.

Ref	Dimensions	Visual	Qty	Ctn
1	6x160cm		1	3
2	53x160cm		1	3
3	55x165cm		1	2
4	40x51.5cm		2	2
5	53x94.5cm		1	1
6	53x80cm		1	1
7	41x95cm		1	1
8	39x95cm		1	1
9	66x81cm		1	1
10	53x161.5cm		1	2
11	53x160cm		1	3
12	60x160cm		1	3
13	9.5x78.5cm		1	3
14	76.5x79cm		2	1

Ref	Dimensions	Visual	Qty	Ctn
15	55x165cm		1	2
16	3x78cm		2	1
17	3x38cm		1	1
18	5.5x15cm		4	1
19	5x15cm		1	1
20	39.5x89.5cm		1	3
21	39.5x152cm		1	3
22	39.5x152cm		1	3
23	14.5x74.5cm		3	1
24	14.5x40cm		3	1
25	14.5x40cm		3	1
26	39x75cm		3	1
27	20.5x79.5cm		3	1
28	6x38cm		3	1
29	51.5x78.5cm		1	1



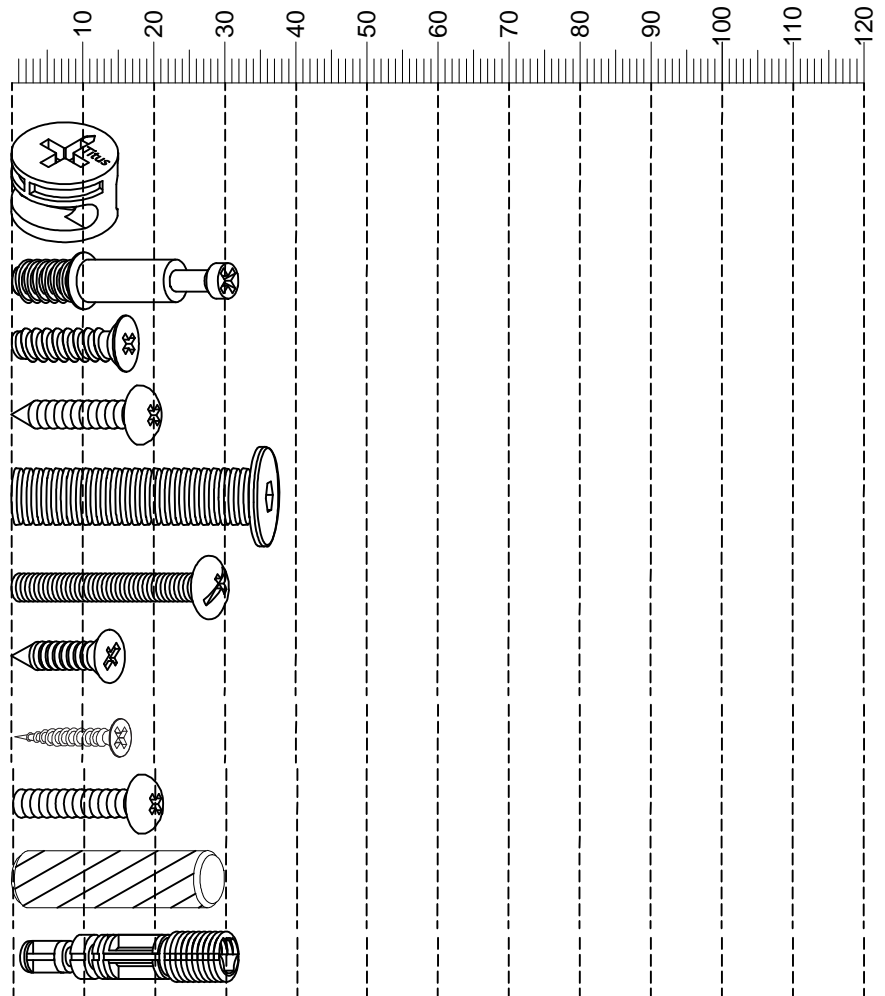
Push connector into housing to join.



Make sure there is no gap between the panels.

Fixtures and fittings supplied (actual size)

Ref	Dimensions	Qty	Spare Qty
B3	Ø15 x 12mm	2	1
B12	Ø7.5 x 33mm	2	1
U139	Ø4.5 x 15mm	16	2
S35	Ø4 x 14mm	2	1
V36	Ø8 x 30mm	8	1
Z23	Ø4 x 25mm	18	2
U136	Ø4 x 14mm	8	1
U151	Ø4 x 15mm	16	2
S42	Ø4 x 16mm	2	1
D6	Ø7.8 x 30mm	N/A	2
B8	Ø4 x 16mm	N/A	2



Fixtures and fittings supplied (not to scale)

Ref	Dimensions	Qty	Spare Qty	Visual
T6	N/A	2	N/A	
N1	N/A	2	N/A	
T38	N/A	20	2	
A13	N/A	6	N/A	
M1	N/A	1	N/A	

Fixtures and fittings supplied (not to scale)

Ref	Dimensions	Qty	Spare Qty	Visual
C11	N/A	3	N/A	
C16	N/A	5	N/A	
E47	N/A	9	N/A	
M3	N/A	1	N/A	

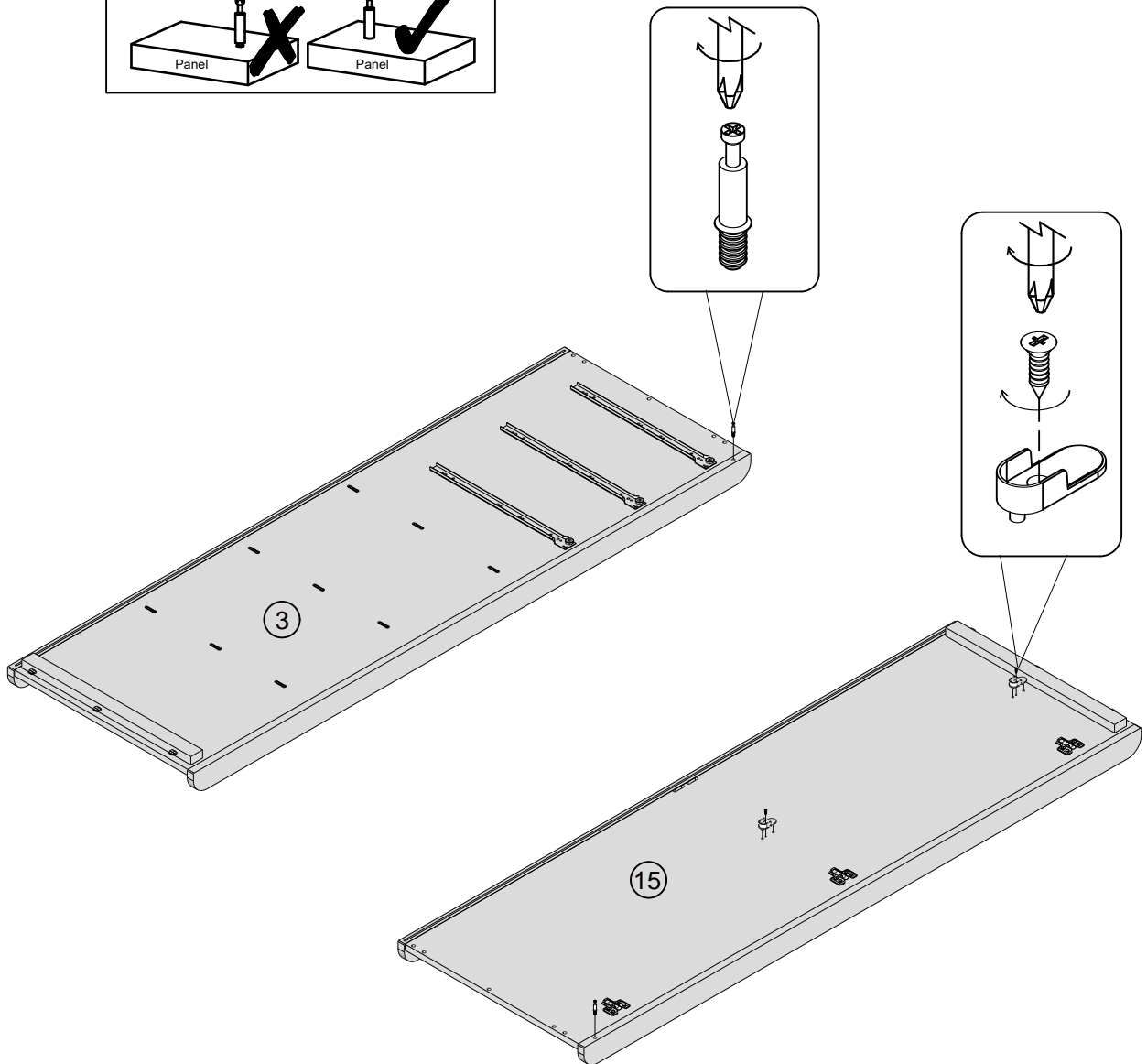
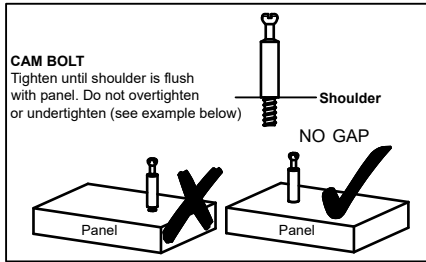
NEXT




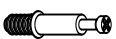

ALIX 4 DOOR WARDROBE

E22713

Assembly instructions

1



A13	N/A	2	
U136	Ø4 x 14mm	2	  not supplied
B12	Ø7.5 x 33mm	2	  not supplied

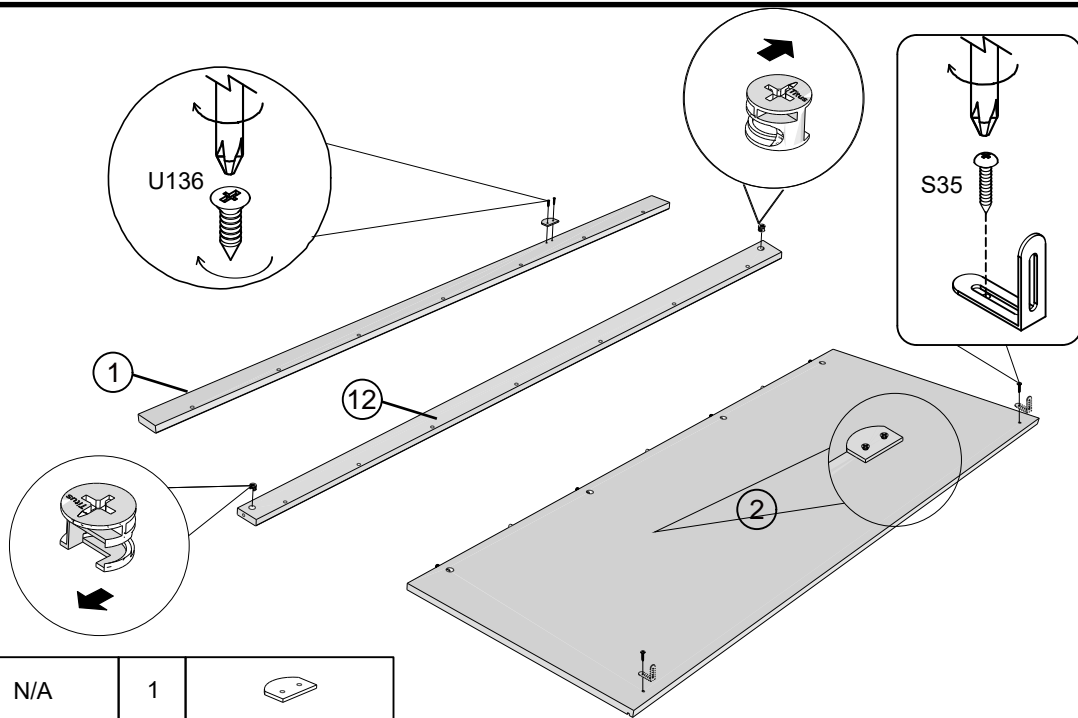
NEXT

ALIX 4 DOOR WARDROBE

E22713

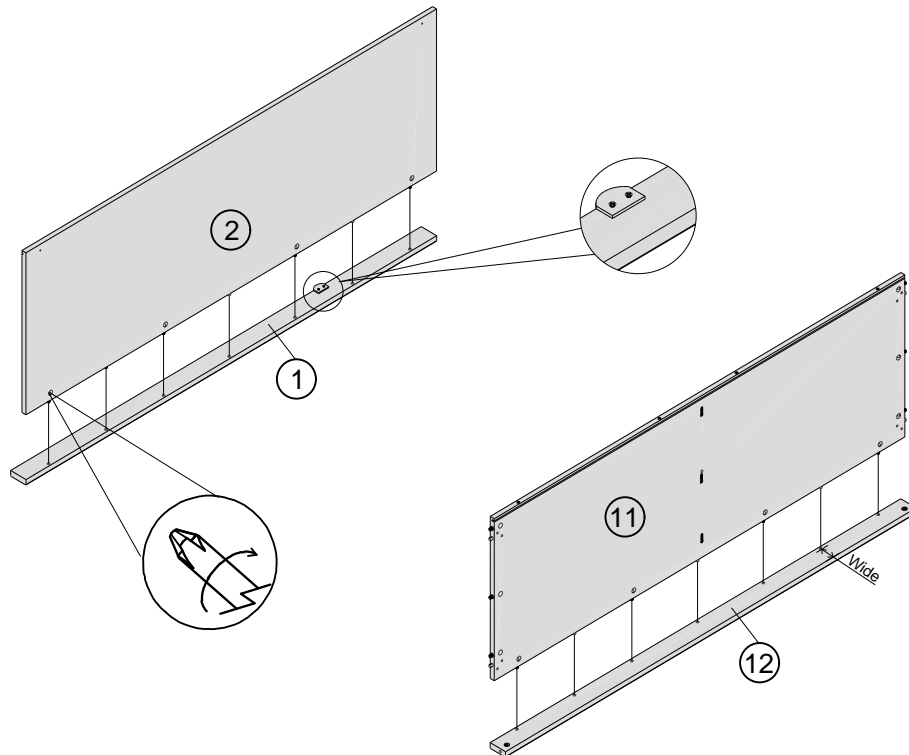
Assembly instructions

2



M3	N/A	1					
N1	N/A	2		B3	Ø15 x 12mm	2	 not supplied
U136	Ø4 x 14mm	2	 not supplied	S35	Ø4 x 14mm	2	

3



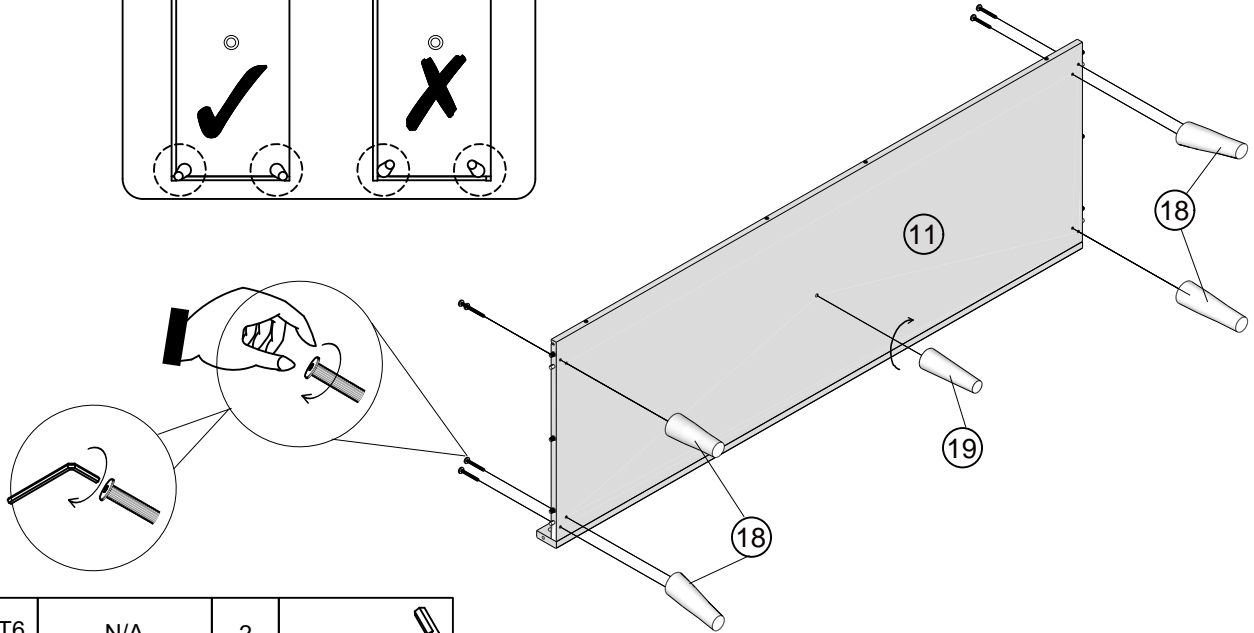
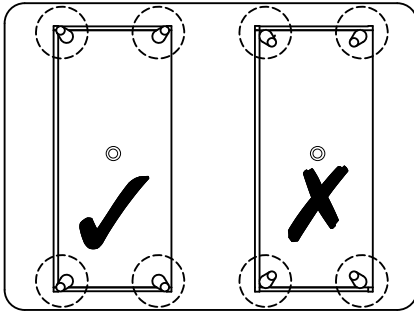
NEXT

ALIX 4 DOOR WARDROBE

E22713

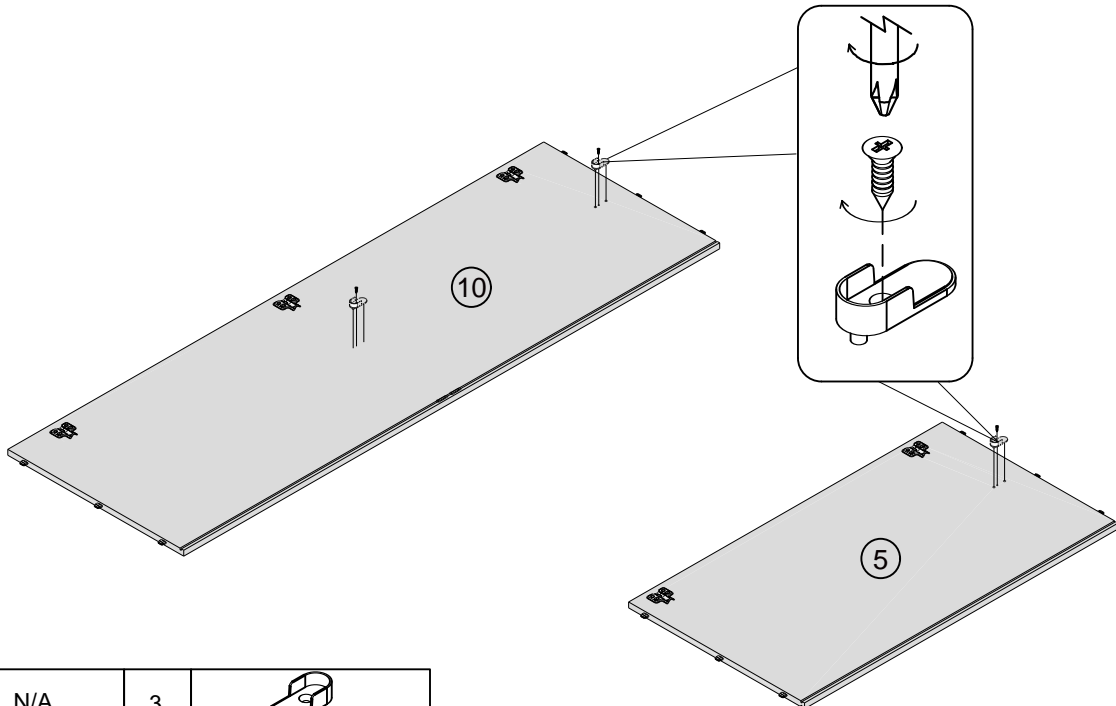
Assembly instructions

4



T6	N/A	2	
V36	Ø8 x 30mm	8	

5



A13	N/A	3	
U136	Ø4 x 14mm	3	

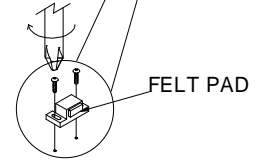
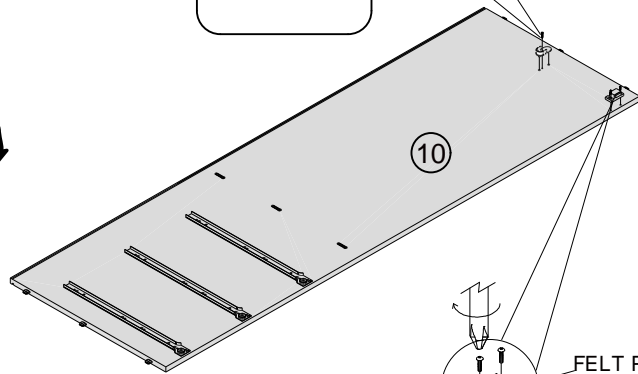
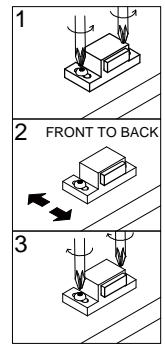
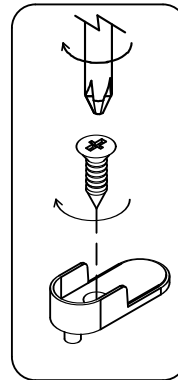
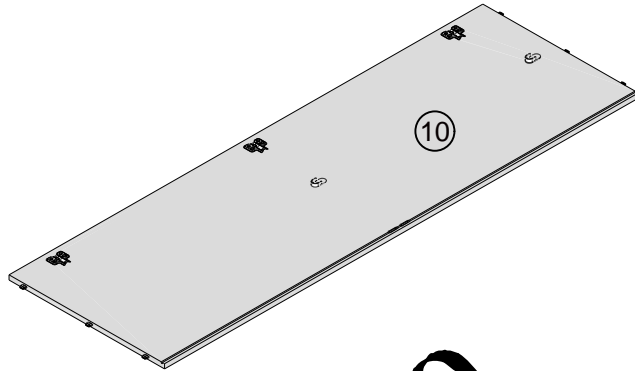
NEXT





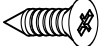

ALIX 4 DOOR WARDROBE

E22713

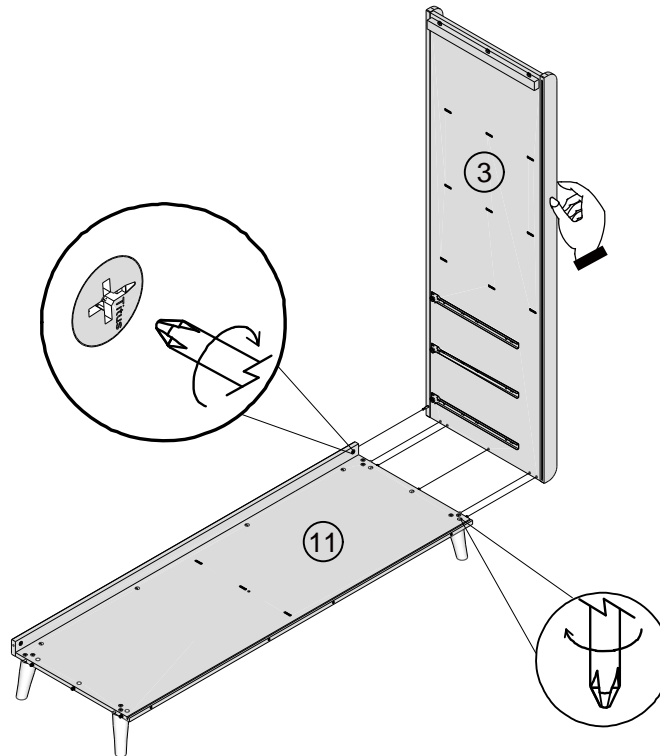
Assembly instructions

6



S42	Ø4 x 16mm	2		 not supplied
M1	N/A	1		
A13	N/A	1		
U136	Ø4 x 14mm	1		 not supplied

7



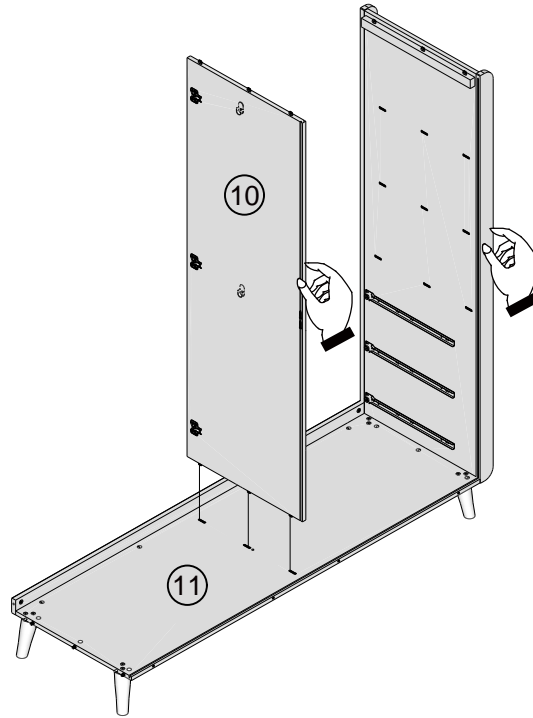
NEXT

ALIX 4 DOOR WARDROBE

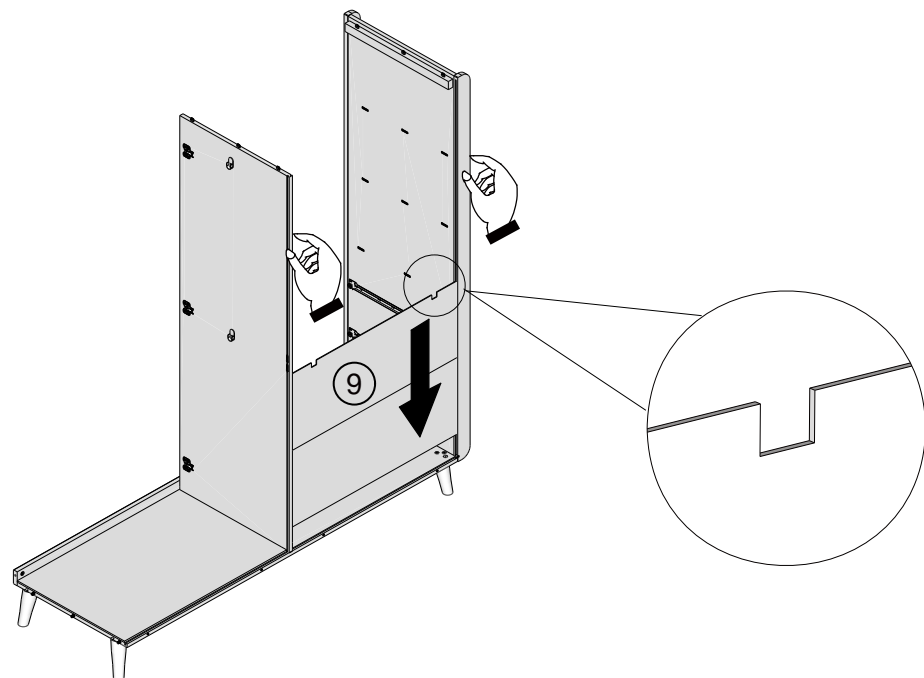
E22713

Assembly instructions

8



9



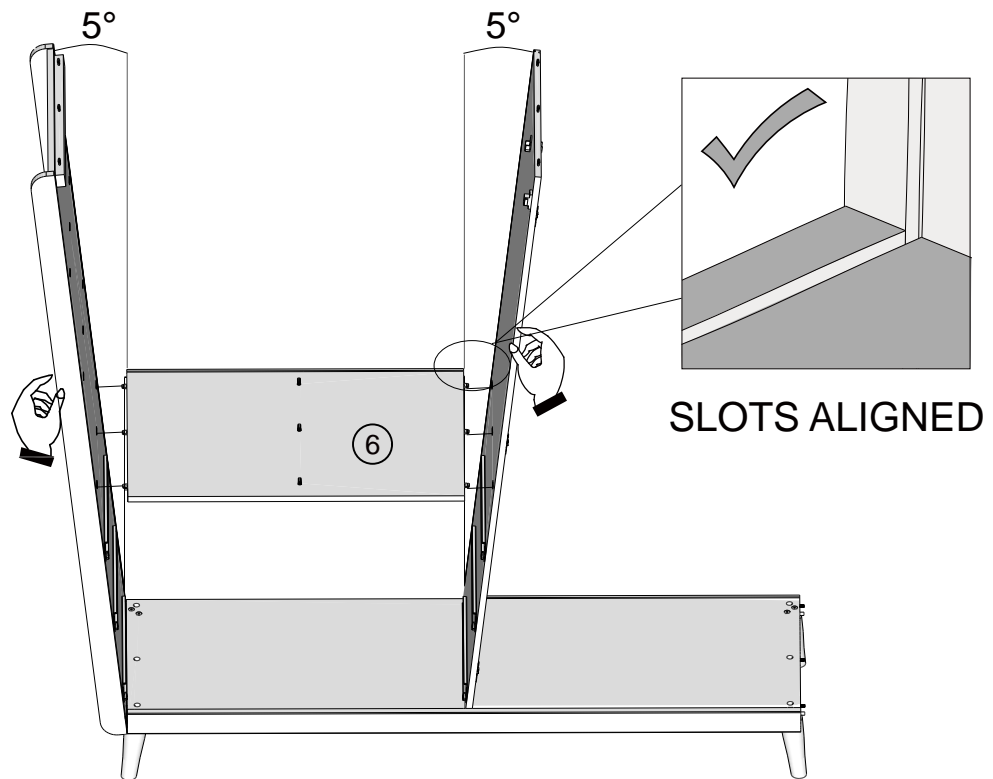
NEXT

ALIX 4 DOOR WARDROBE

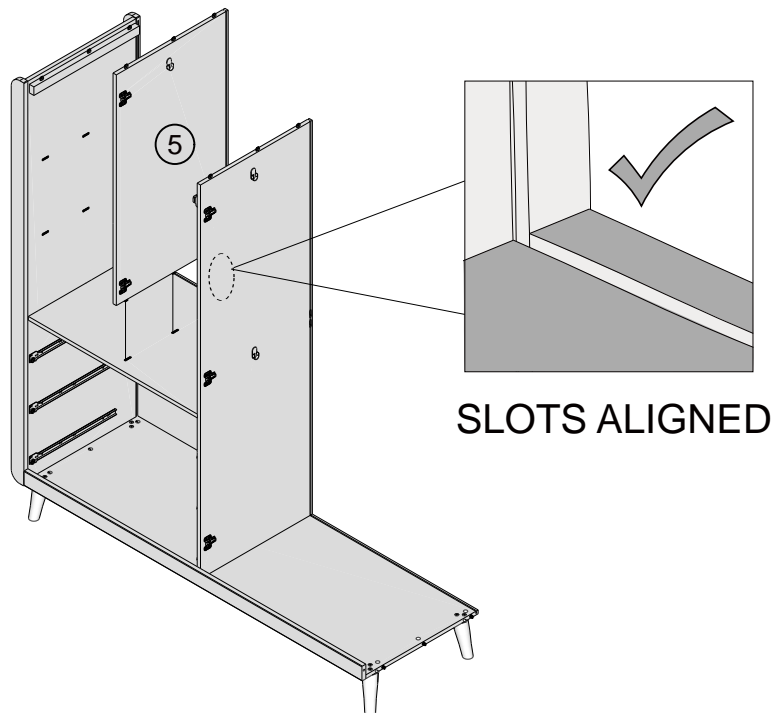
E22713

Assembly instructions

10



11



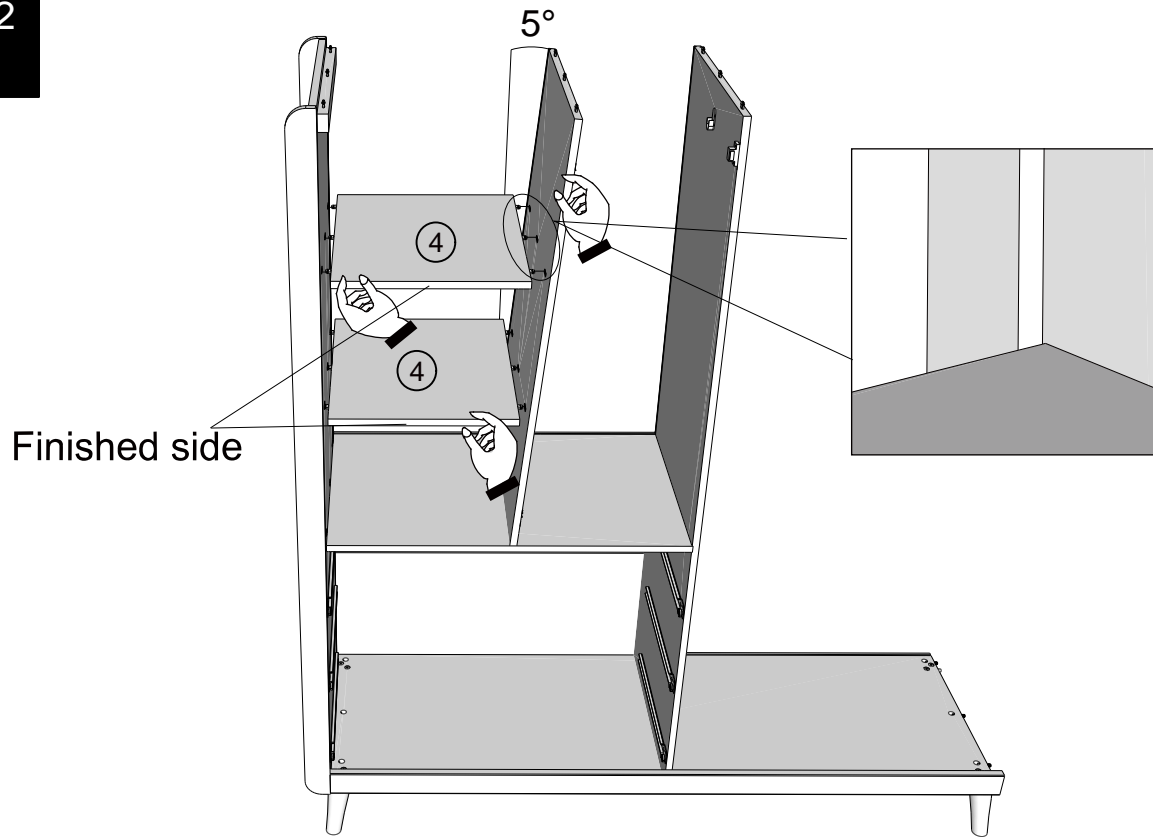
NEXT

ALIX 4 DOOR WARDROBE

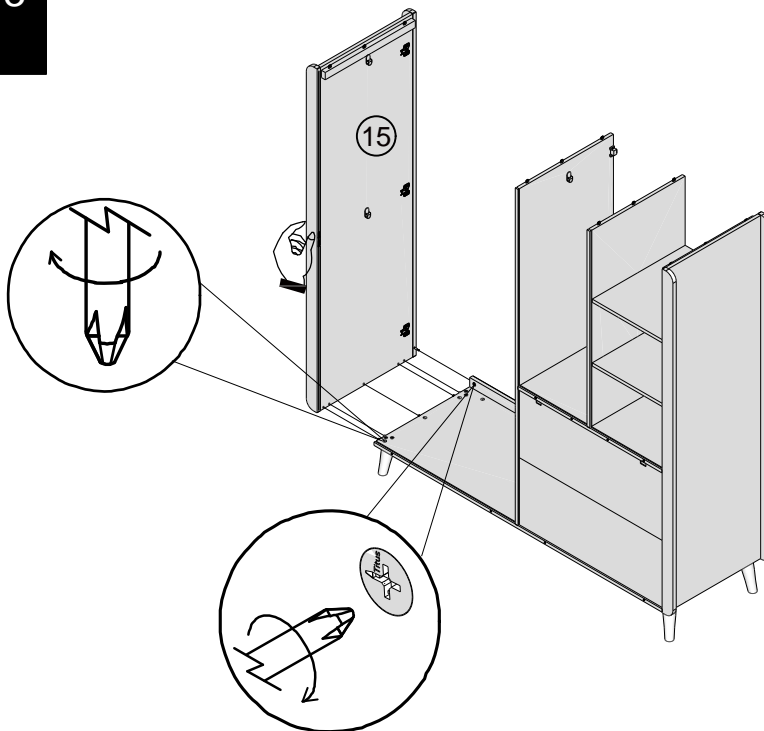
E22713

Assembly instructions

12



13



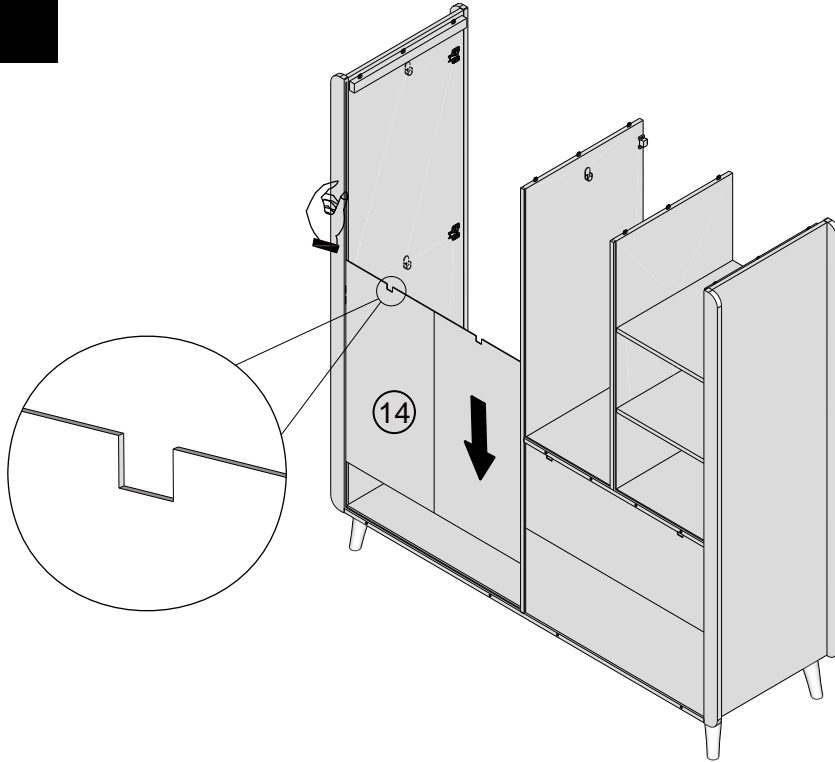
NEXT

ALIX 4 DOOR WARDROBE

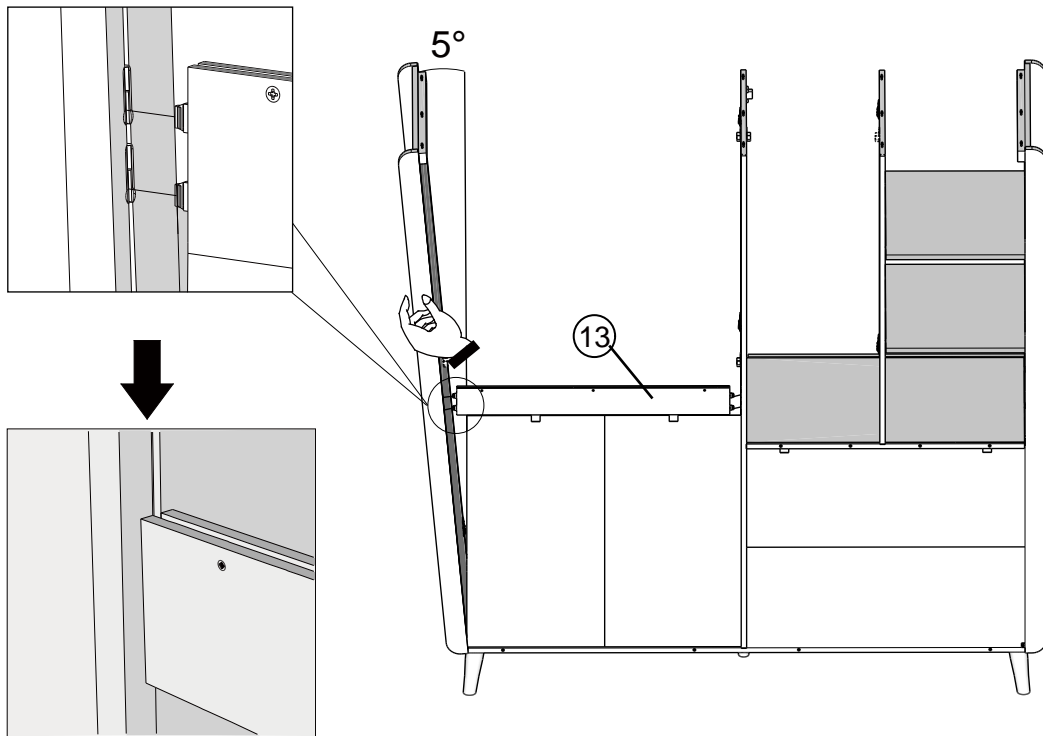
E22713

Assembly instructions

14



15



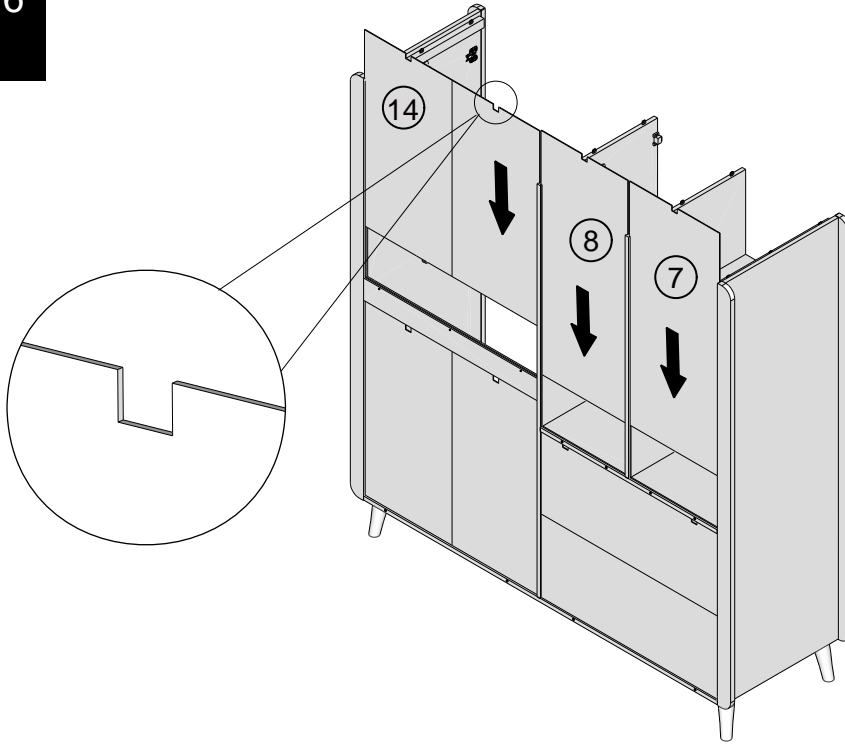
NEXT

ALIX 4 DOOR WARDROBE

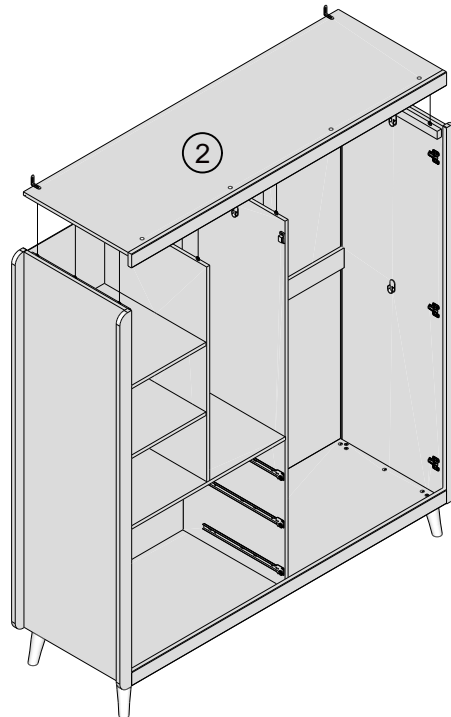
E22713

Assembly instructions

16



17



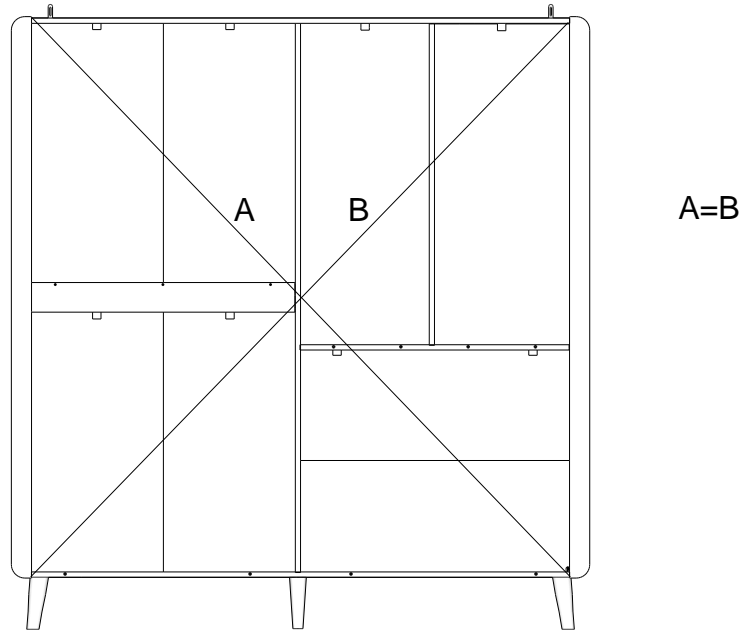
NEXT

ALIX 4 DOOR WARDROBE

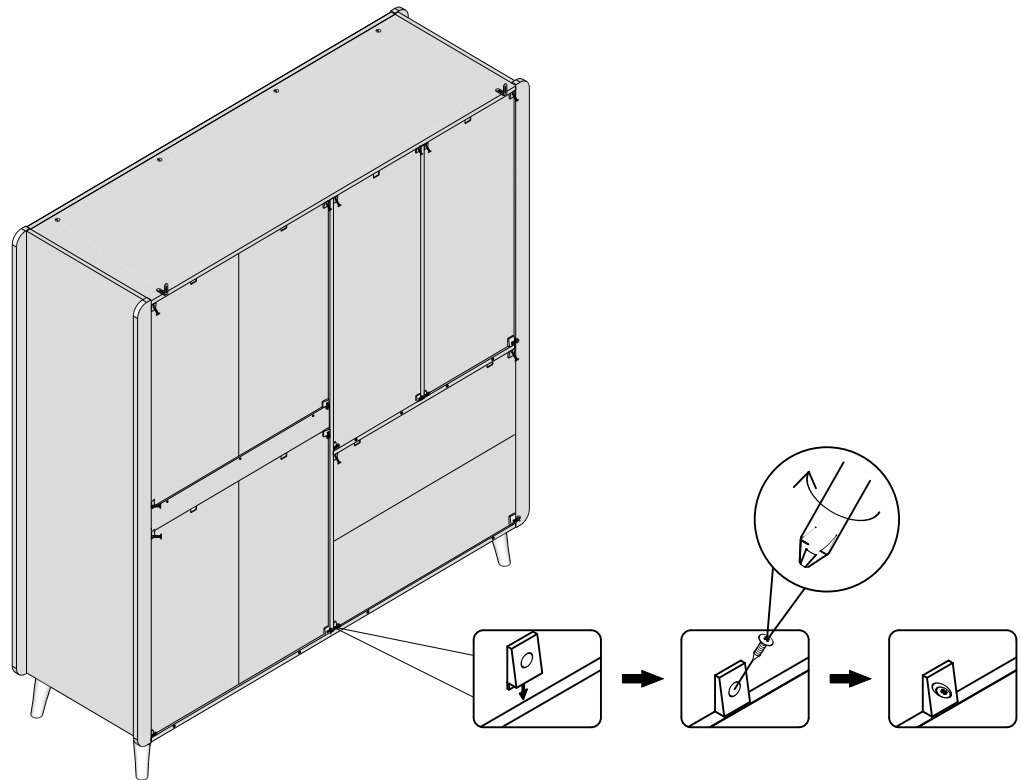
E22713

Assembly instructions

18



19



T38

N/A

20



NEXT

ALIX 4 DOOR WARDROBE

E22713

Assembly instructions

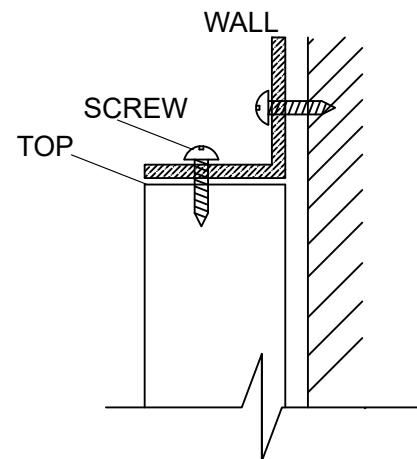
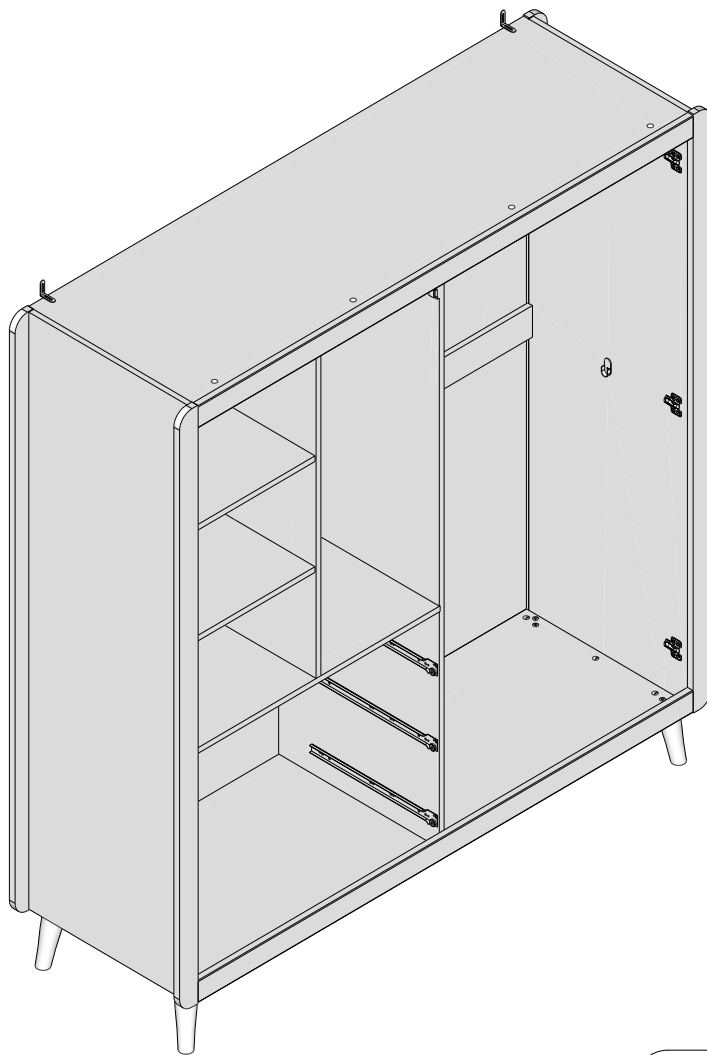
20

We recommend the use of the wall attachment bracket/strap provided for safety reasons. Move unit into desired position. Secure the 2X"L" metal brackets to the wall with an appropriate screw and wall plug for your wall type (not provided).

Warning: Always ensure intended wall area to be drilled is free from hidden electrical wires, water and gas pipes.

NB: Wall fixings are not included-Please source suitable fixing for your wall type.

If in doubt please consult a qualified trades person.

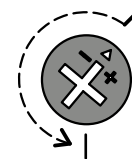


WHEN LOOSENING THE CAM

TURN THE CAM IN A COUNTERCLOCKWISE DIRECTION UNTIL THE ARROW POINTS IN THE POSITION SHOWN IN THE DIAGRAMS BELOW



MAXIMUM
LOCK



TURN
TO UNLOCK



UNLOCKED

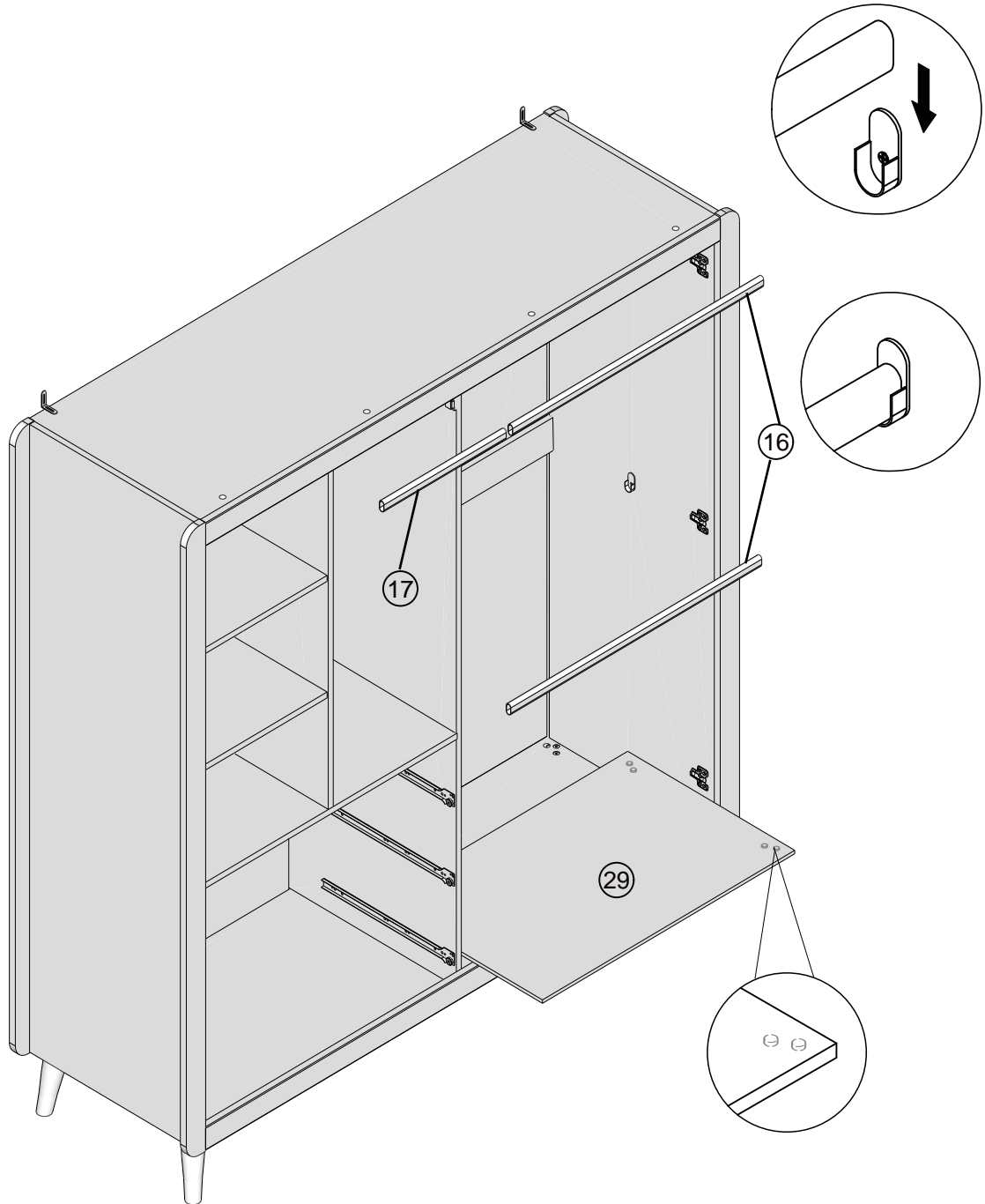
NEXT

ALIX 4 DOOR WARDROBE

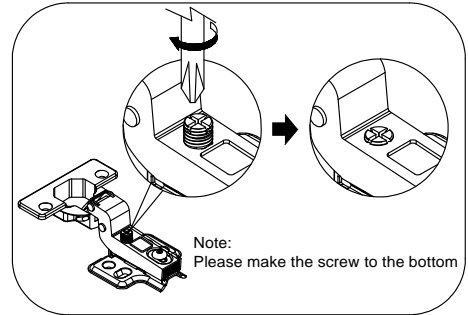
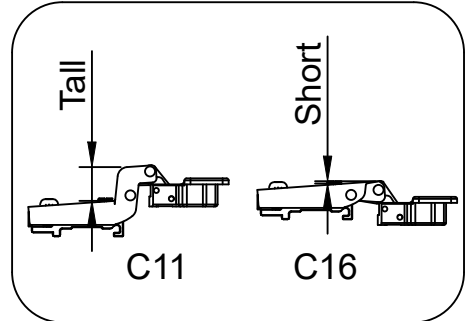
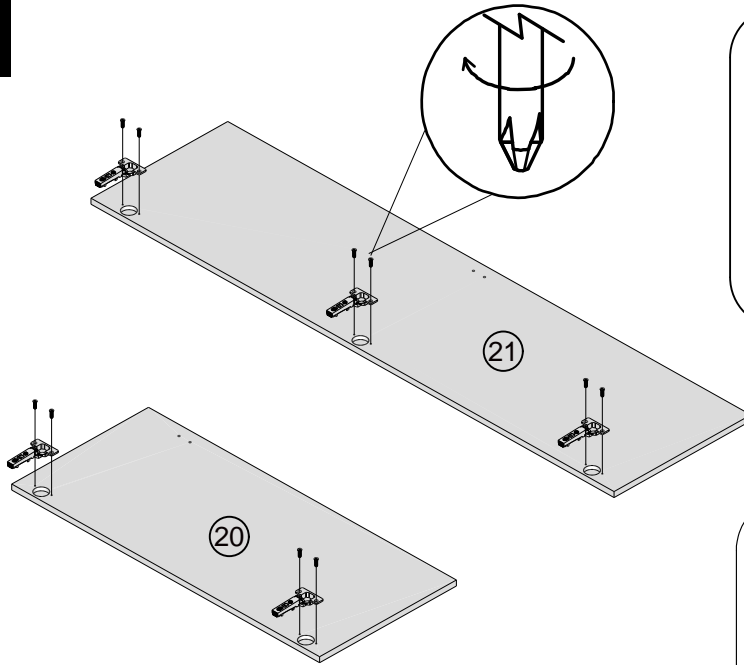
E22713




Assembly instructions

21

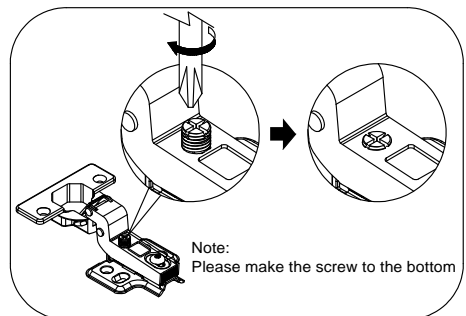
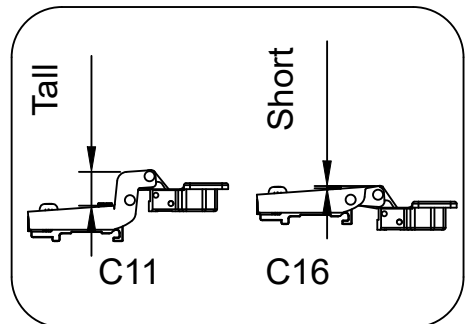
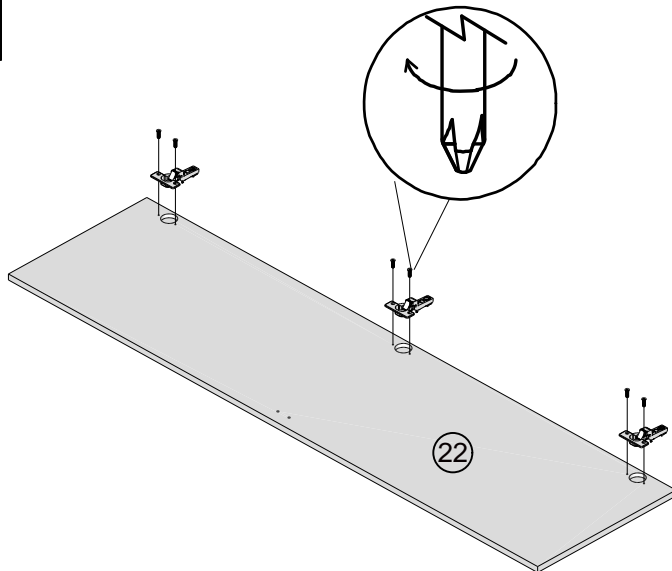





22



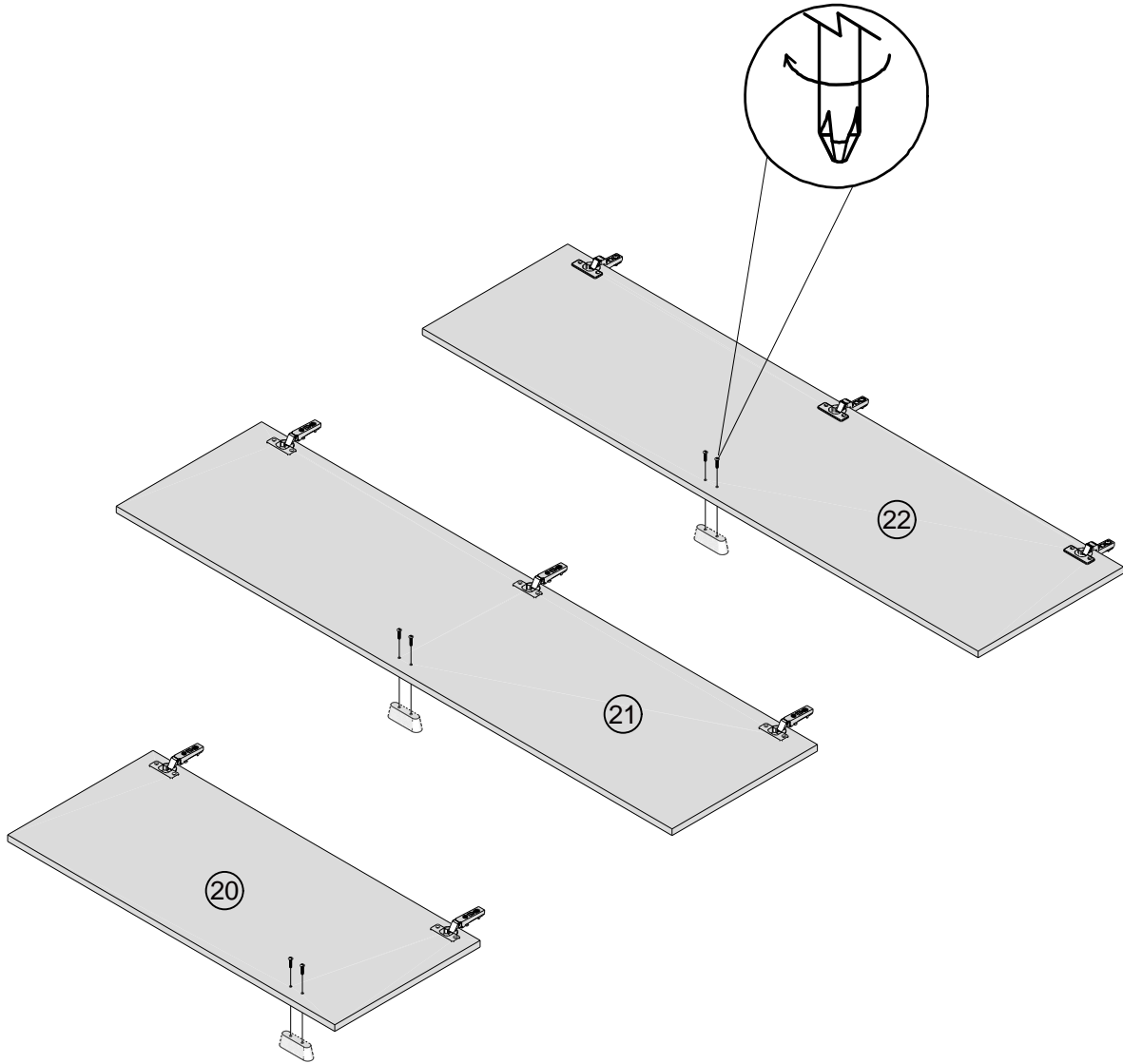
C16	N/A	5	
U139	Ø4.5 x 15mm	10	  not supplied




23



C11	N/A	3	
U139	Ø4.5 x 15mm	6	  not supplied

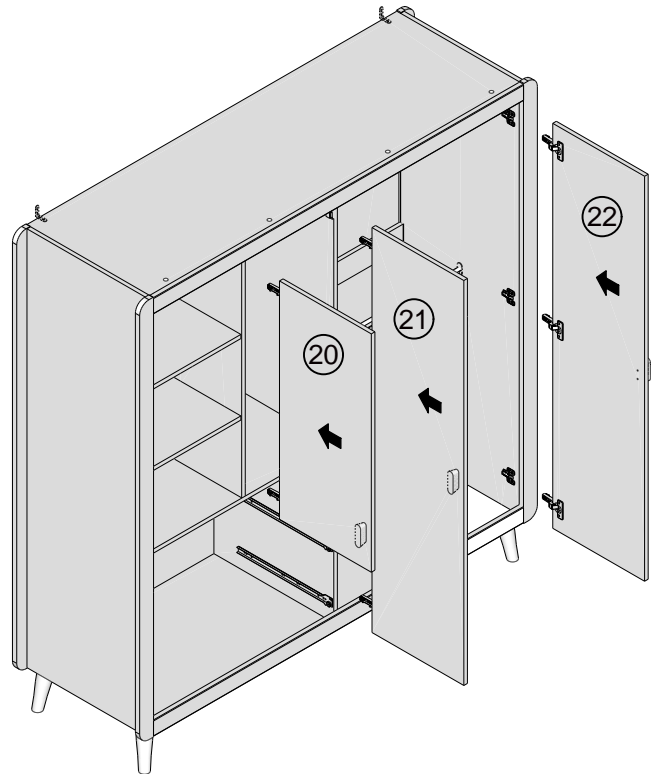
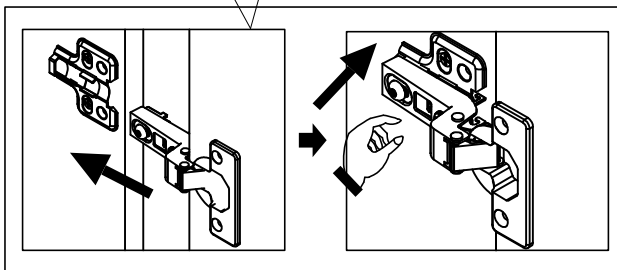
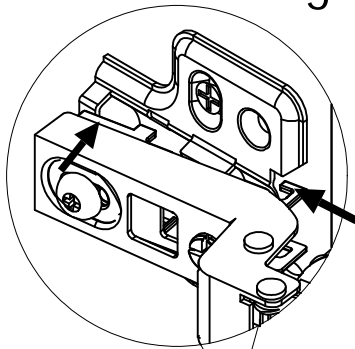
24



E47	N/A	3	
Z23	Ø4 x 25mm	6	  not supplied

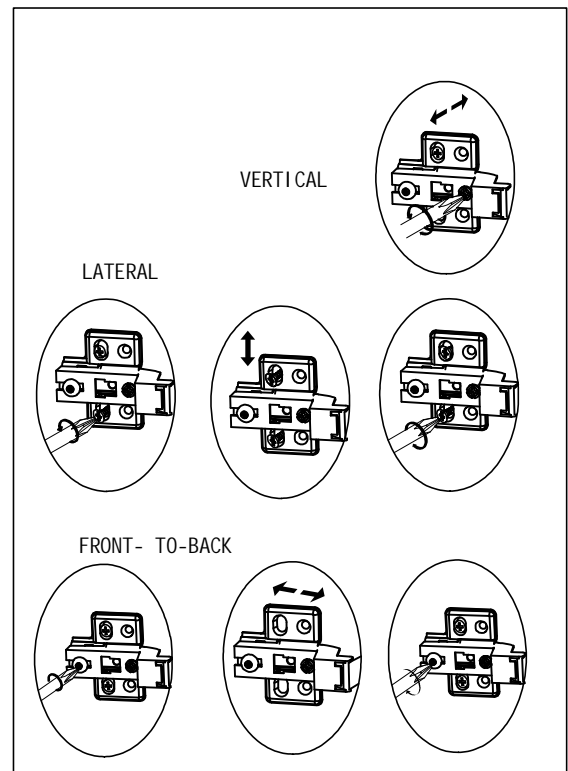
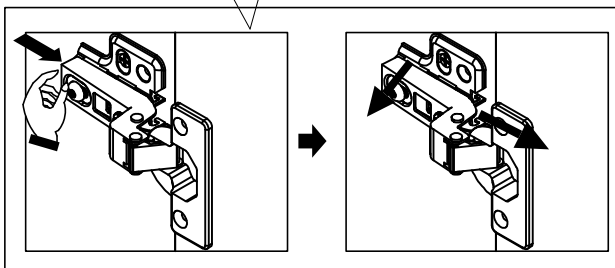
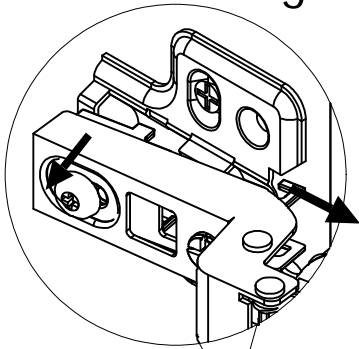
25

Install hinge



Adjust Hinge Position

Remove hinge



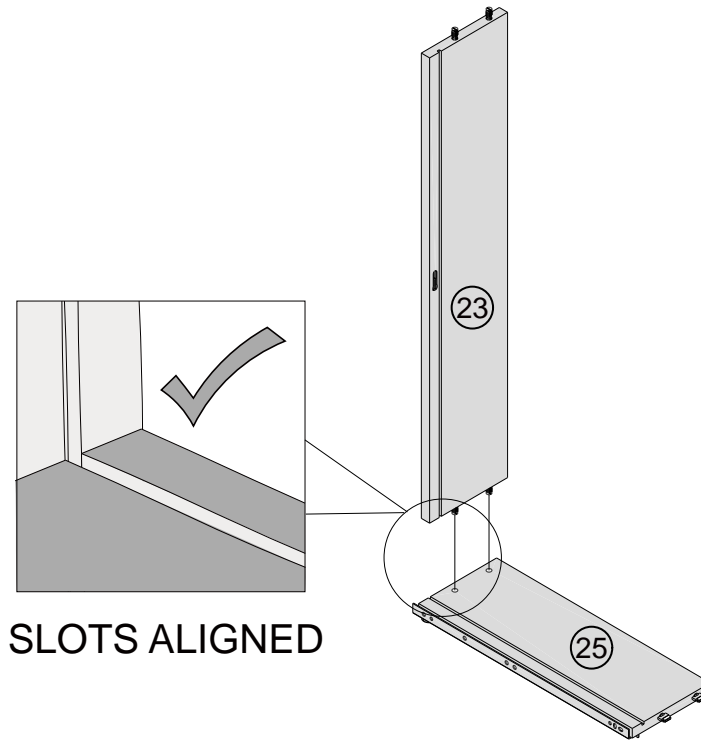
NEXT

ALIX 4 DOOR WARDROBE

E22713

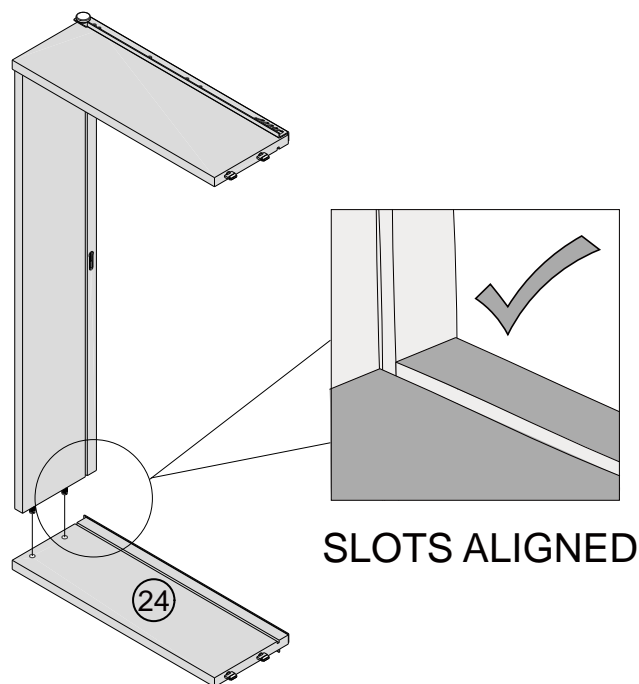
Assembly instructions

26



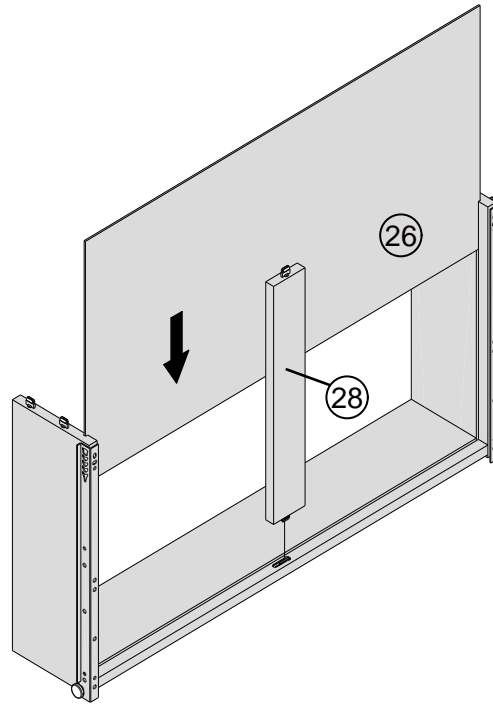
X3

27



X3

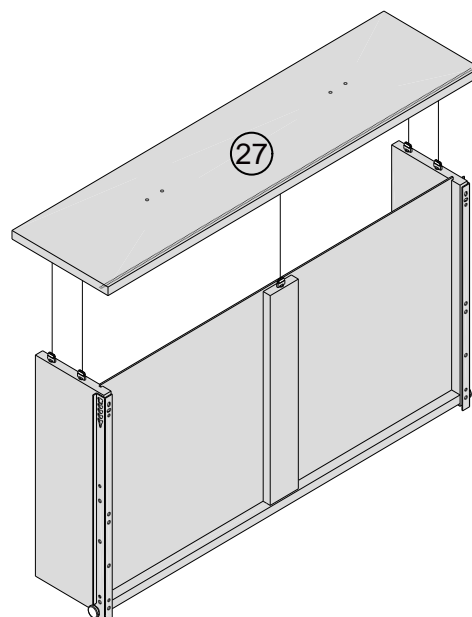
28



X3

29

Note: Drawer will be permanently assembled once panel 27 is fitted.



X3

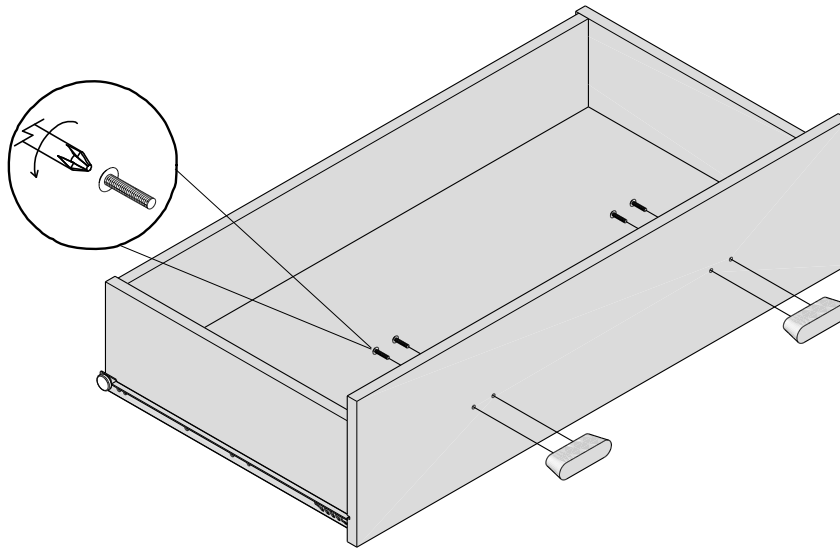
NEXT



ALIX 4 DOOR WARDROBE

E22713

Assembly instructions

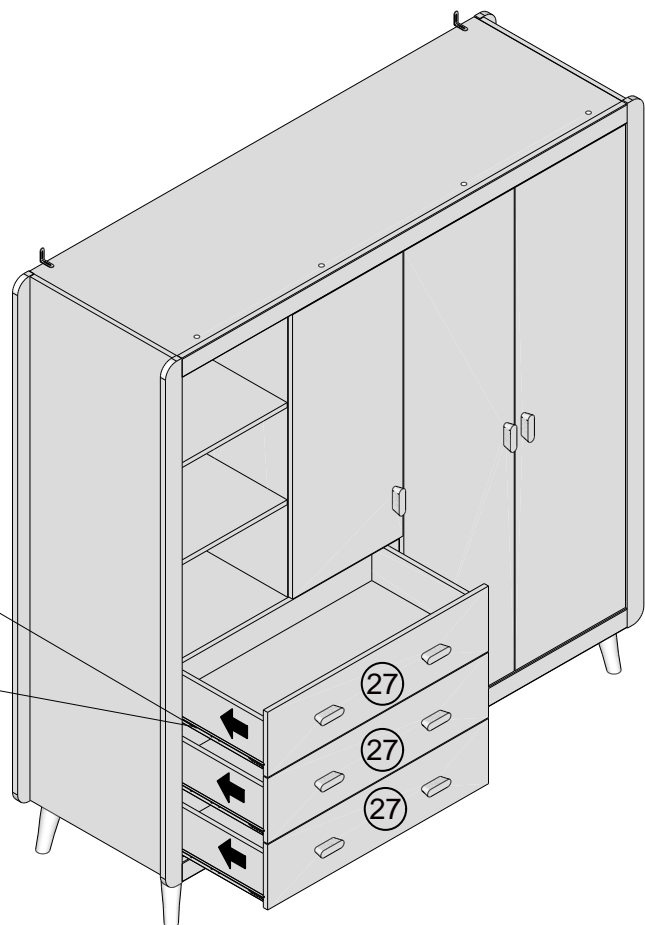
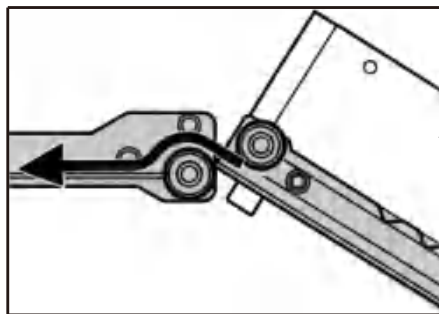
30



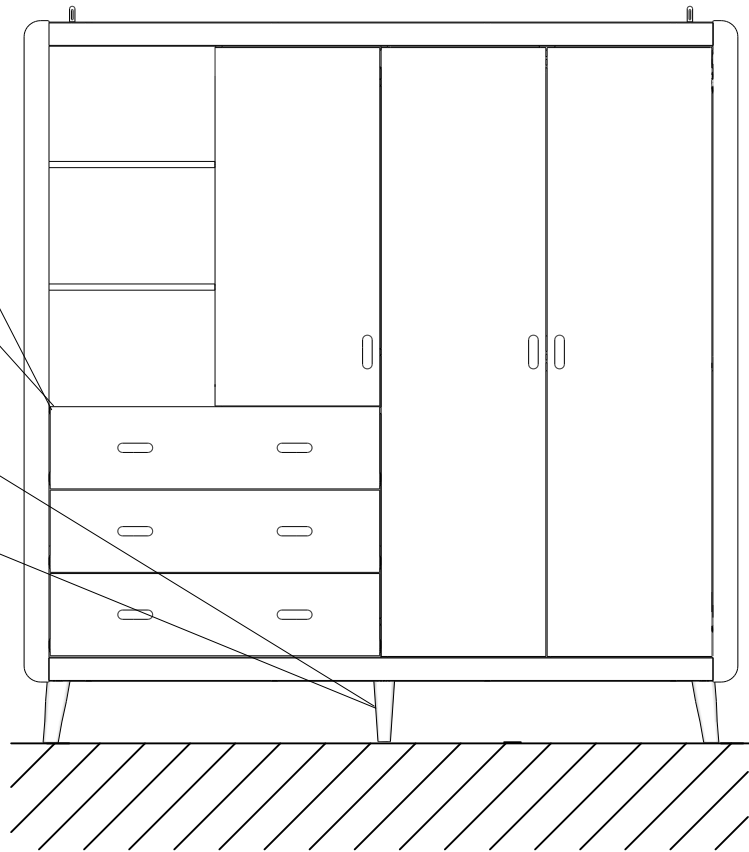
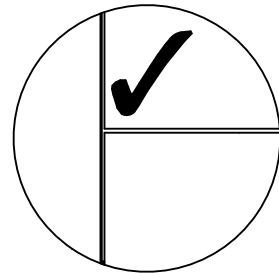
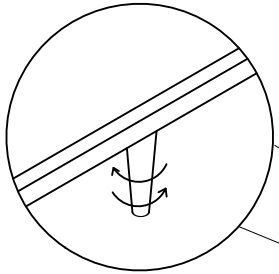
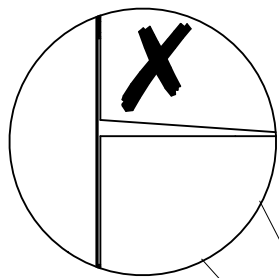
E47	N/A	6	
Z23	Ø4 x 25mm	12	 PH2 not supplied

X3

31



32



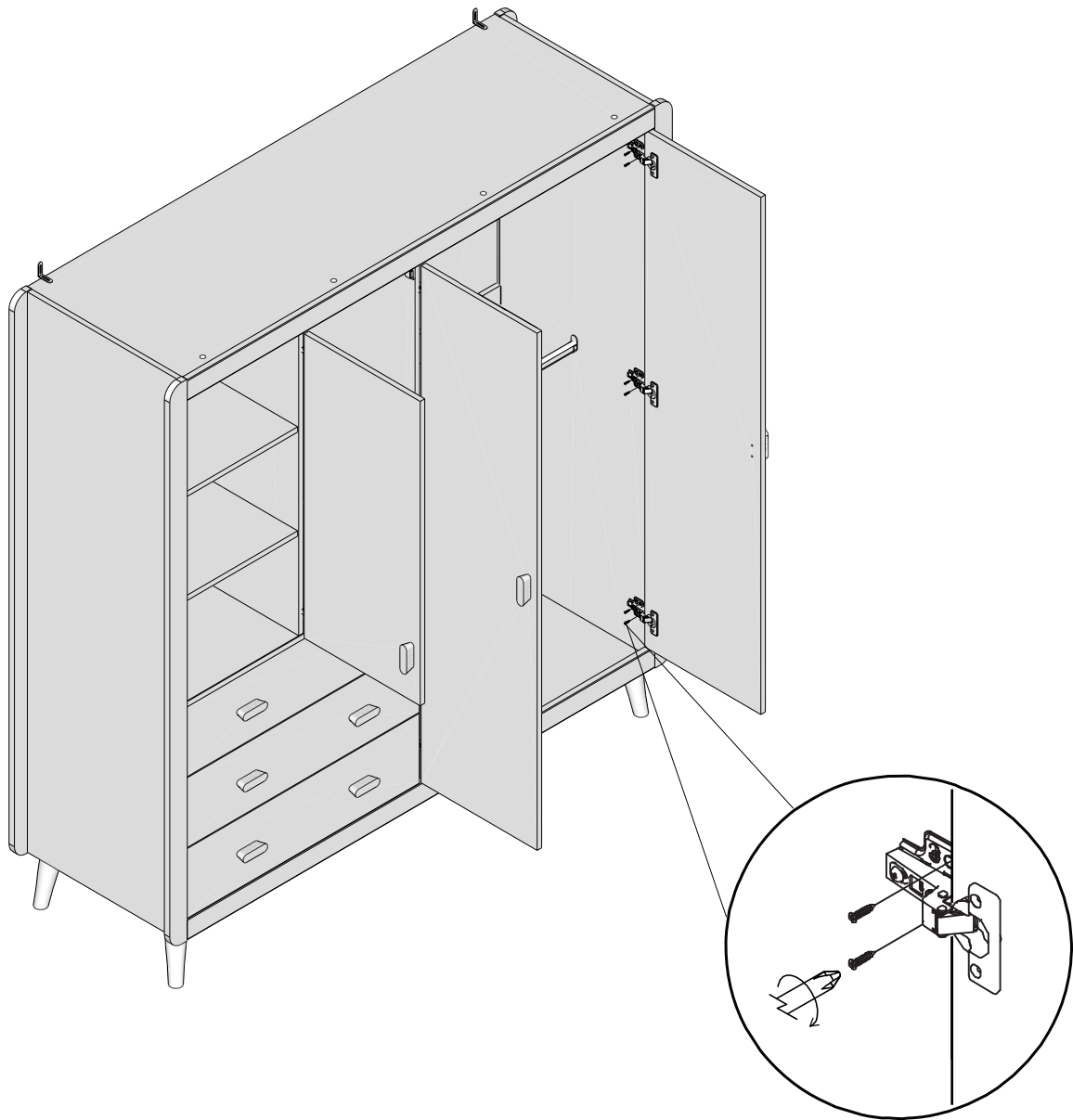
NEXT

ALIX 4 DOOR WARDROBE

E22713

Assembly instructions

33



U151

Ø4 x 15mm

16



NEXT

ALIX 4 DOOR WARDROBE

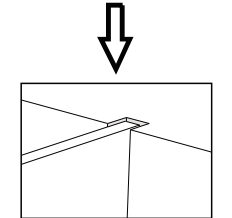
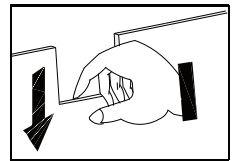
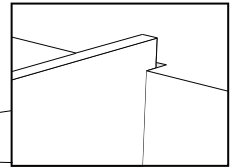
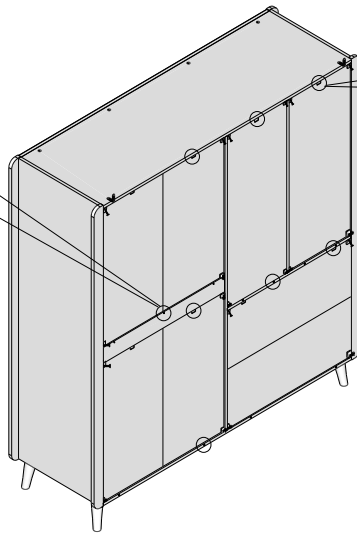
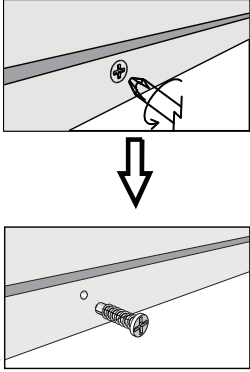
E22713

Assembly instructions

34

To disassemble:

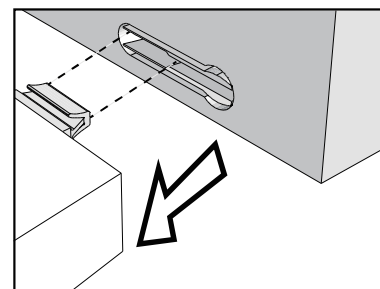
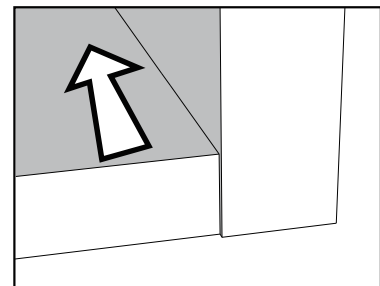
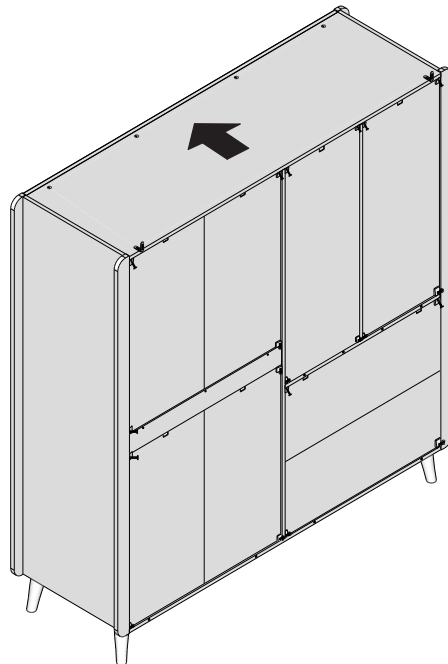
Step1: Remove the plastic wedge (T38) from the back panel, and remove the screws from the rear of the bottom panel(6,11,13);



Step2: Press down the back panel so it is clear of the top panel slot;

35

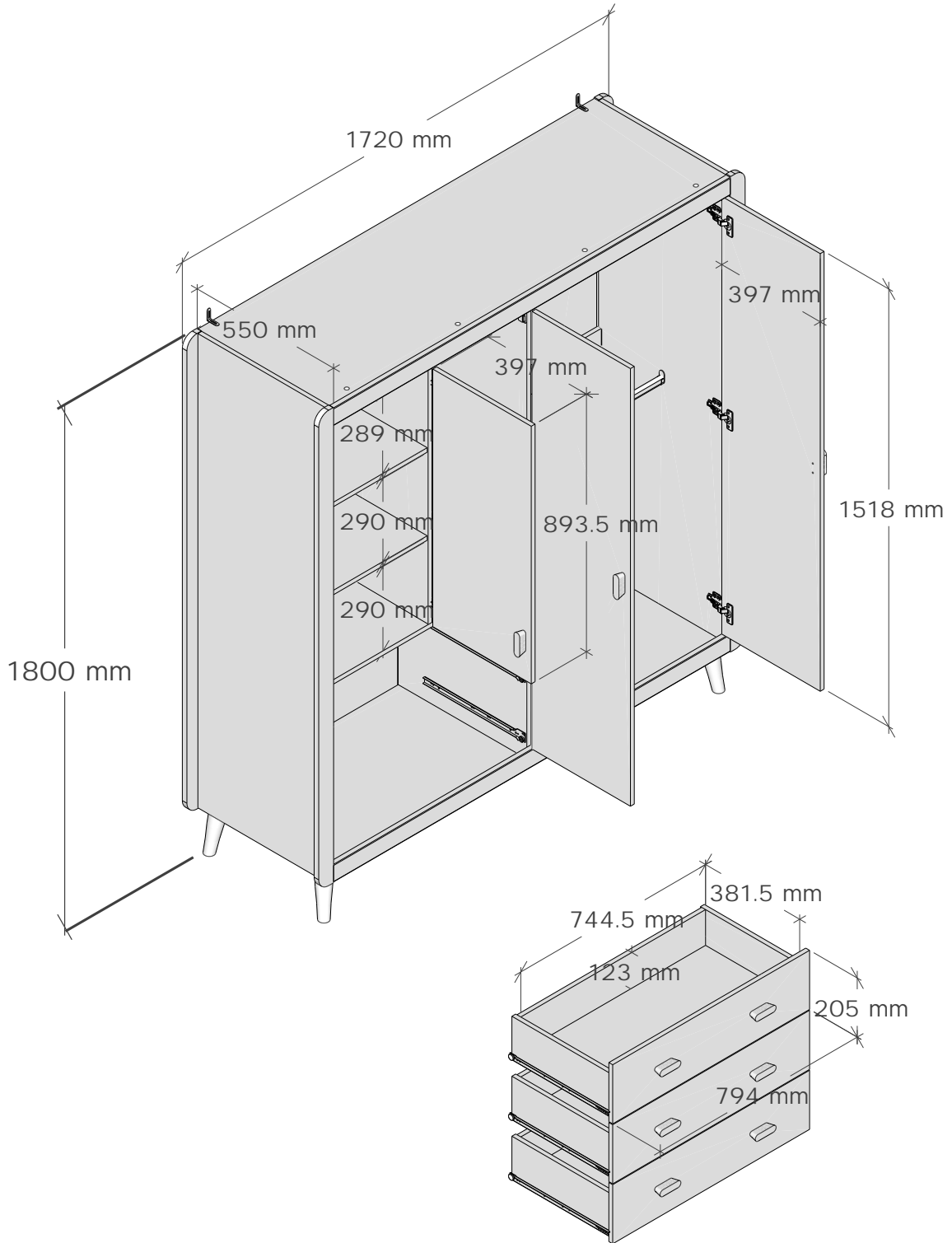
Slide the top panel front to unlock, then lift off. Follow the same sequence to remove the other panels;



NEXT

ALIX 4 DOOR WARDROBE E22713

Actual product size
H180 x W172 x D55cm



NEXT

ALIX 4 DOOR WARDROBE E22713

Warnings

We suggest you retain these instructions for future reference
Keep fittings out of children's reach and keep children well away from the construction area
This product should only be used on firm, level ground
Please periodically check all fittings and re-tighten as necessary
Please do not sit or stand on your furniture
Avoid exposing the furniture to excessive heat or direct sunlight as this can cause deterioration of the colour
Unwrap all packaging materials and place the components on top of the carton box or on a clean floor to protect it from damage.

Do's

We suggest you spend a short time reading through this leaflet before you start
When you are ready to start, make sure that you have the right tools and plenty of space
Unwrap all packaging materials and place the components on a clean surface to protect it from damage, We recommend that the packaging is used to protect the surfaces during assembly
Carefully check that you have all the parts before beginning assembly
Due to the size of the product we recommend that it is assembled in the room intended for use
Ensure the product is fully assembled as illustrated and all fixings fully tightened before use

Don'ts

Do not drag or pull your furniture
Do not use silicone based furniture polish. Silicone in furniture polishes can break down the finish

Missing parts

If you are missing any fixtures and fittings for your product.
Please contact our customer service team on 0333 777 8999
and they will be happy to arrange for a replacement to be sent
to you free of charge.

Home service technicians

If you have a fault with your product, please contact our customer service team on 0333 777 8999. If you have had the product for 28 days or less you may be offered a replacement, refund or for a fully trained home service technician to visit your home to assess the fault and repair the product where possible. If you have had the product for more than 28 days we will send an independent home service technician to review and repair the product where possible and recommend further action.

You can write to us at

Home Customer Services
Next Retail Ltd.
Desford Road,
Leicester,
LE19 4AT

To view our full furniture range please visit www.next.co.uk

Testing

This product conforms to FRQG C001: 2016 and C004: 2016+A1: 2017

PRODUCT SUPPLIED WITH WALL FIXING STRAPS