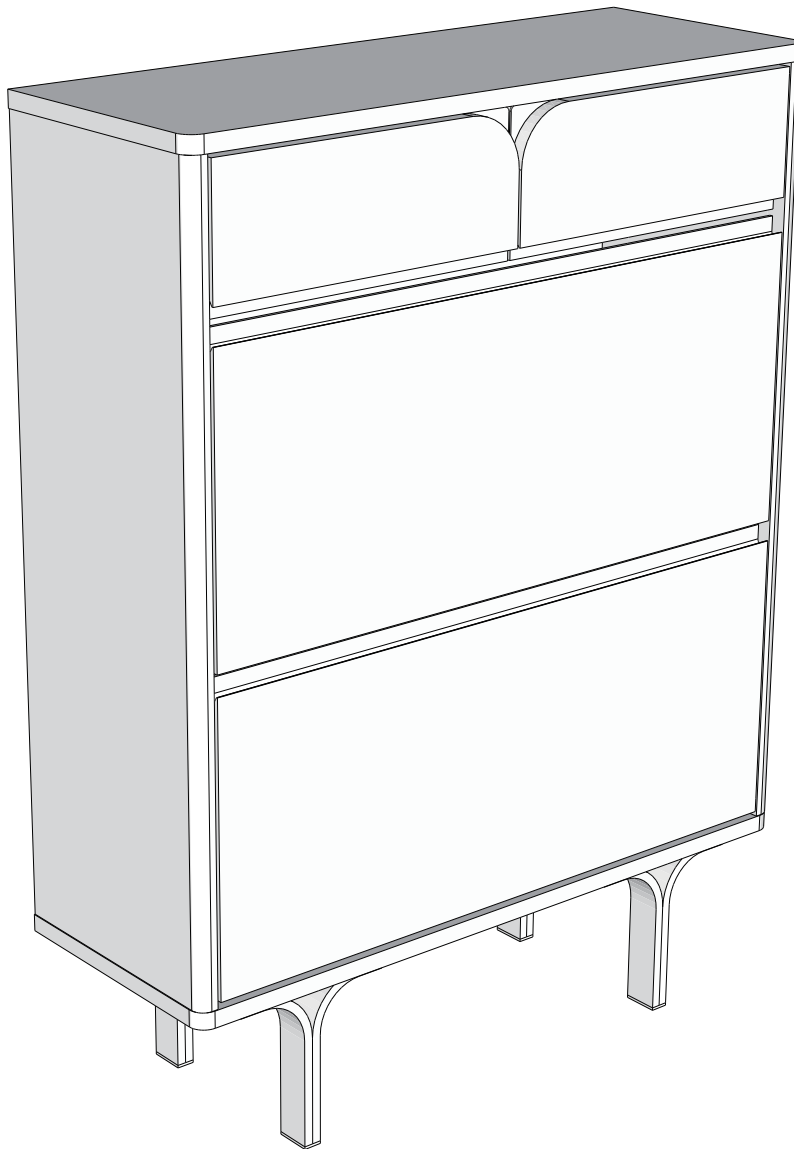


# NEXT

## EVIE SHOE DROP F13523 Assembly instructions

**Actual product size**  
H106 x W79 x D29 cm



### Need Help ?

With: Assembly instruction  
Missing or damaged parts

**IMPORTANT - RETAIN FOR FUTURE REFERENCE**

**CALL: 0333 777 8999**

## BEFORE YOU START

### Number of people required to assemble

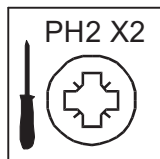
Two people are required to assemble this item



Time to assemble : 30 minutes



### Tools required



not supplied

### Do's

We suggest you spend a short time reading through this leaflet before you start.

When you are ready to start, make sure that you have the right tools and plenty of space.

Unwrap all packaging materials and place the components on a clean surface to protect it from damage, We recommend that the packaging is used to protect the surfaces during assembly.

Carefully check that you have all the parts before beginning assembly.

Due to the size of this product we recommend that it is assembled in the room intended for use.

Ensure the product is fully assembled as illustrated and all fixings fully tightened before use.

Wipe occasionally with a soft cloth slightly dampened with water. Then buff with a dry clean soft cloth.

Wood will mellow and change colour over time, we recommend that ornaments and items placed on the surface are moved regularly for the first few months to prevent uneven mellowing.

### Don'ts

Do not drag or pull your furniture.

Do not rub or scrub the surface when cleaning.

Do not use silicone based furniture polish. Silicone in furniture polishes can break down the finish.

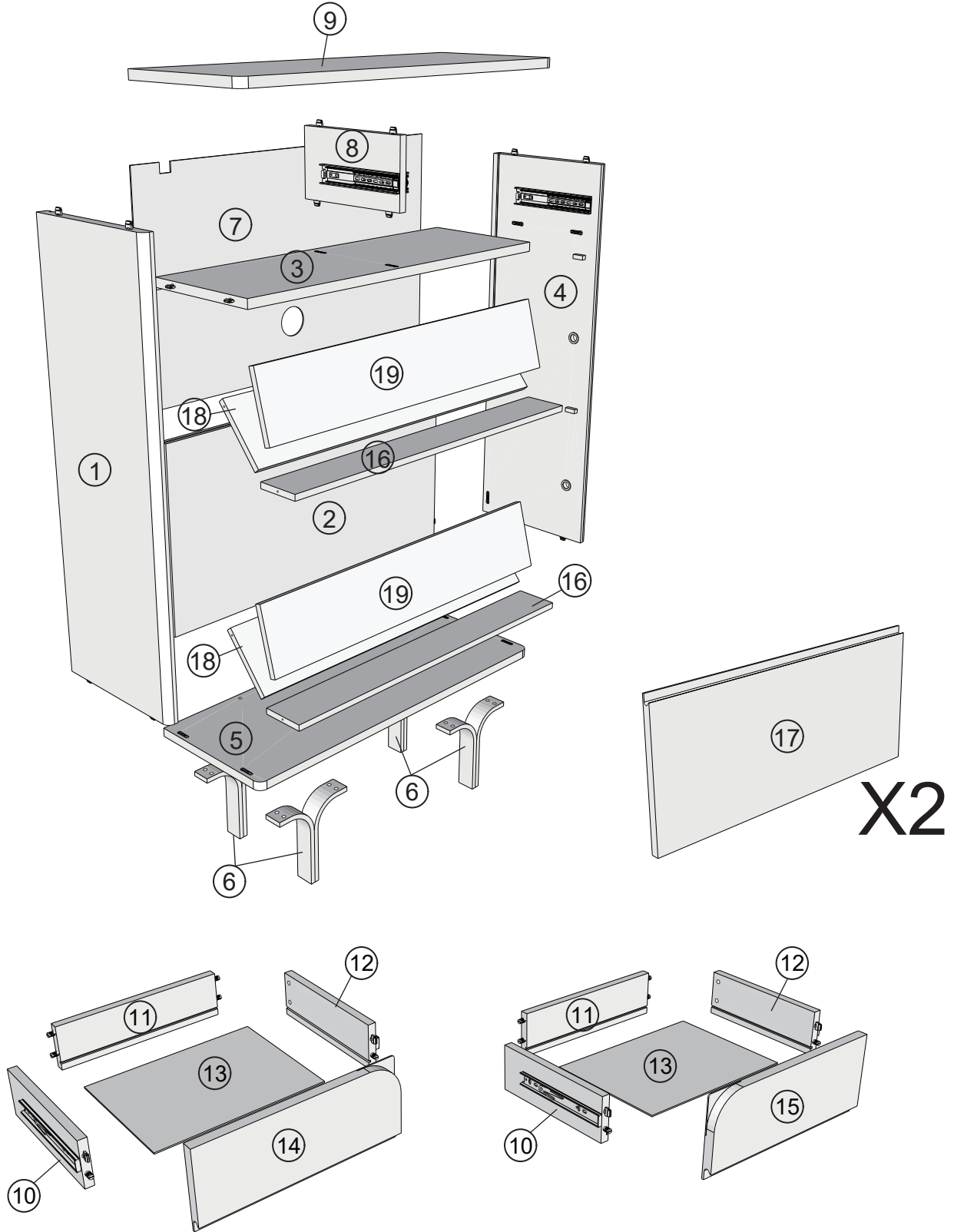
Never allow any kind of liquid to remain on your furniture. Absorption can cause wood to warp or finishes to de-laminate.

Do not place hot items (e.g. hot drinks) directly on to the wood surface. Please make sure you use a placemat or coaster.

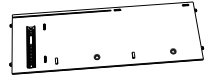

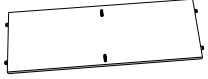
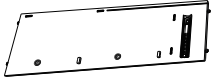


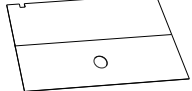

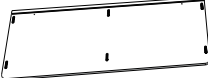


# NEXT









EVIE SHOE DROP  
F13523  
Assembly instructions

## GETTING TO KNOW YOUR PRODUCT

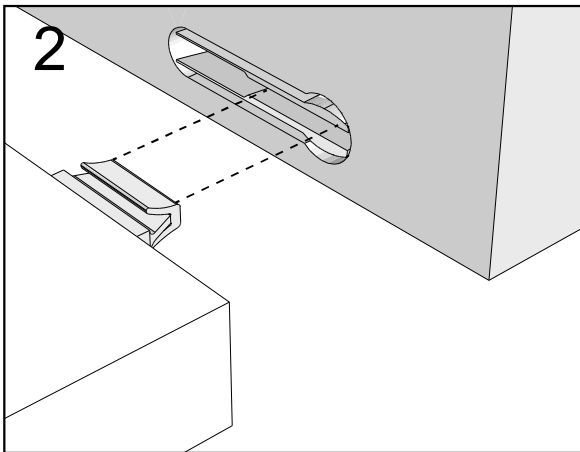
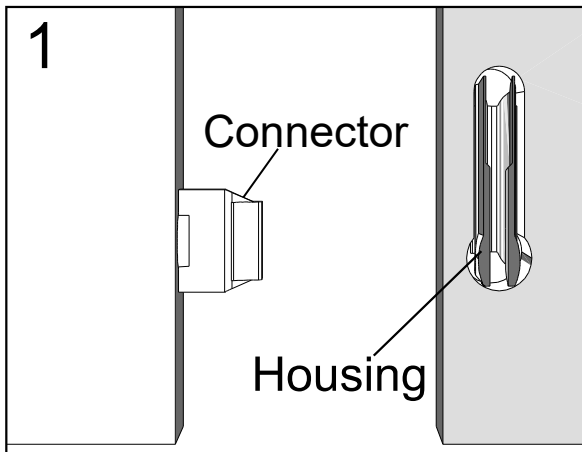


Components supplied. Please use this guide if you require replacement parts.

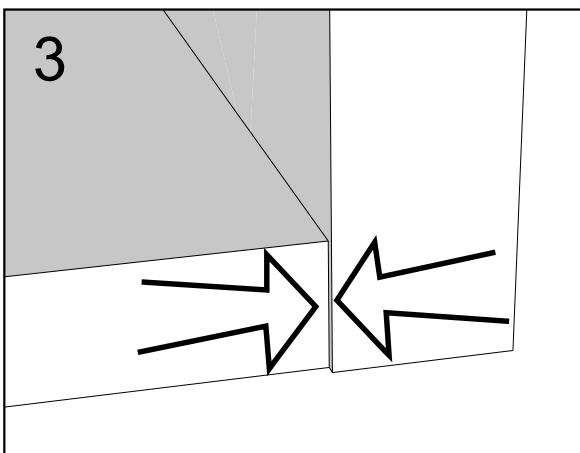
Ref	Dimensions	Visual	Qty	Ctn
1	29x84.5cm		1	1
2	39.5x74.5cm		1	1
3	25x74.5 cm		1	1
4	29x84.5cm		1	1
5	29x79 cm		1	1
6	18x18cm		4	1
7	45.5x75.5cm		1	1
8	14x25cm		1	1
9	29x79 cm		1	1
10	8.5x25 cm		2	1
11	8.5x31cm		2	1

Ref	Dimensions	Visual	Qty	Ctn
12	8.5x25 cm		2	1
13	23.5x31.5cm		2	1
14	15x37 cm		1	1
15	15x37 cm		1	1
16	9x73.5cm		2	1
17	33x74cm		2	1
18	14x73.5cm		2	1
19	14x73.5cm		2	1

# NEXT FITTINGS ASSEMBLE INSTRUCTIONS



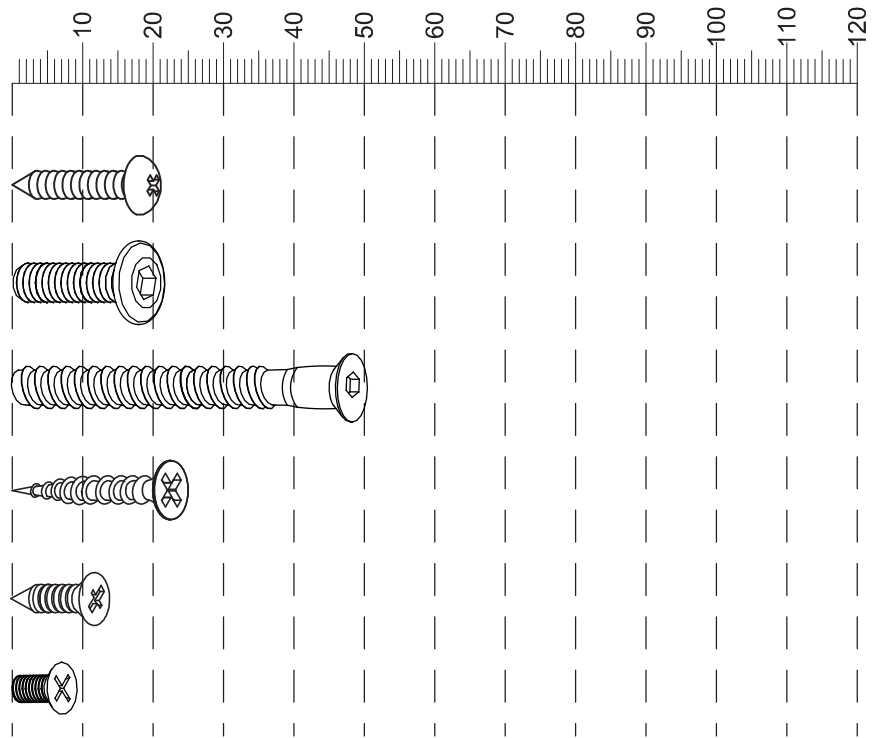
Push connector into housing to join.







Make sure there is no gap between the panels.



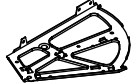
### Fixtures and fittings supplied (actual size)

Ref	Dimensions	Qty	Spare Qty
S41	Ø4x 16mm	2	1
Y31	Ø6x 22mm	16	2
Y8	Ø6x 50mm	2	1
U151	Ø4x 25mm	8	1
U119	Ø4x 14mm	12	2
U93	Ø4x 8 mm	4	1

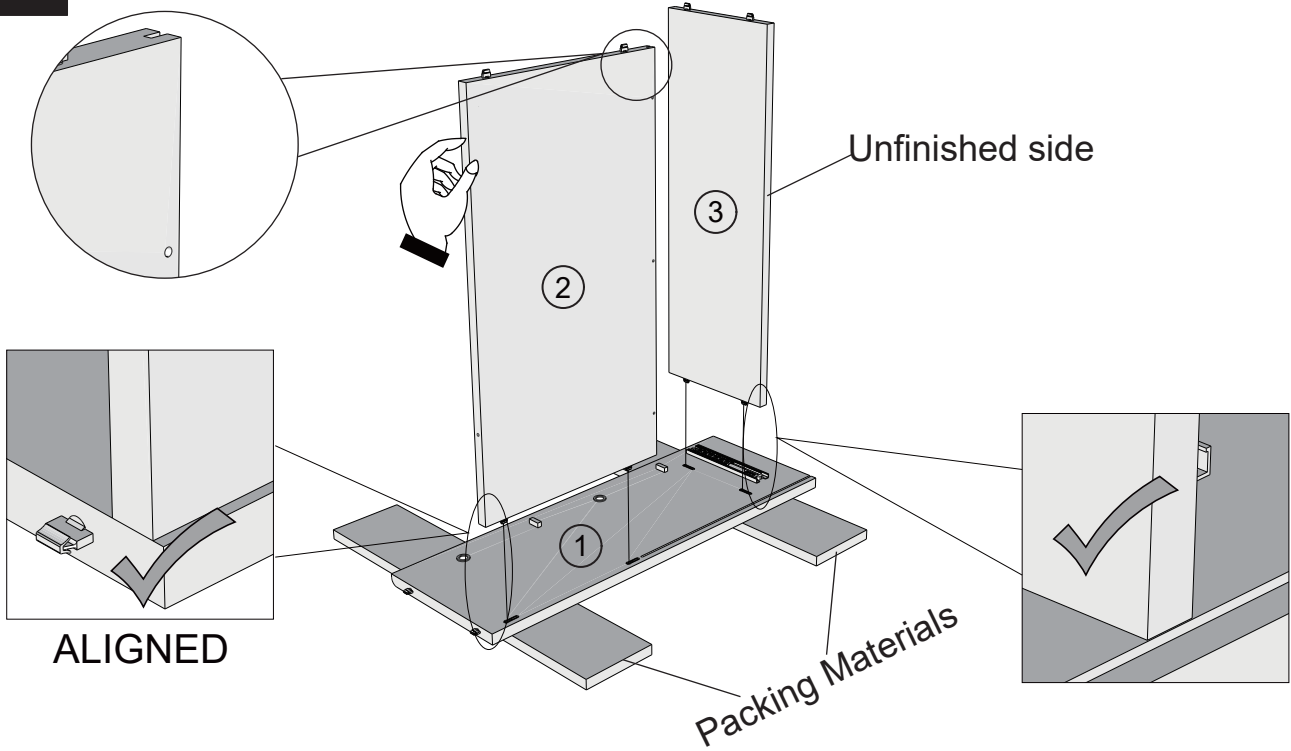


### Fixtures and fittings supplied ( not to scale)

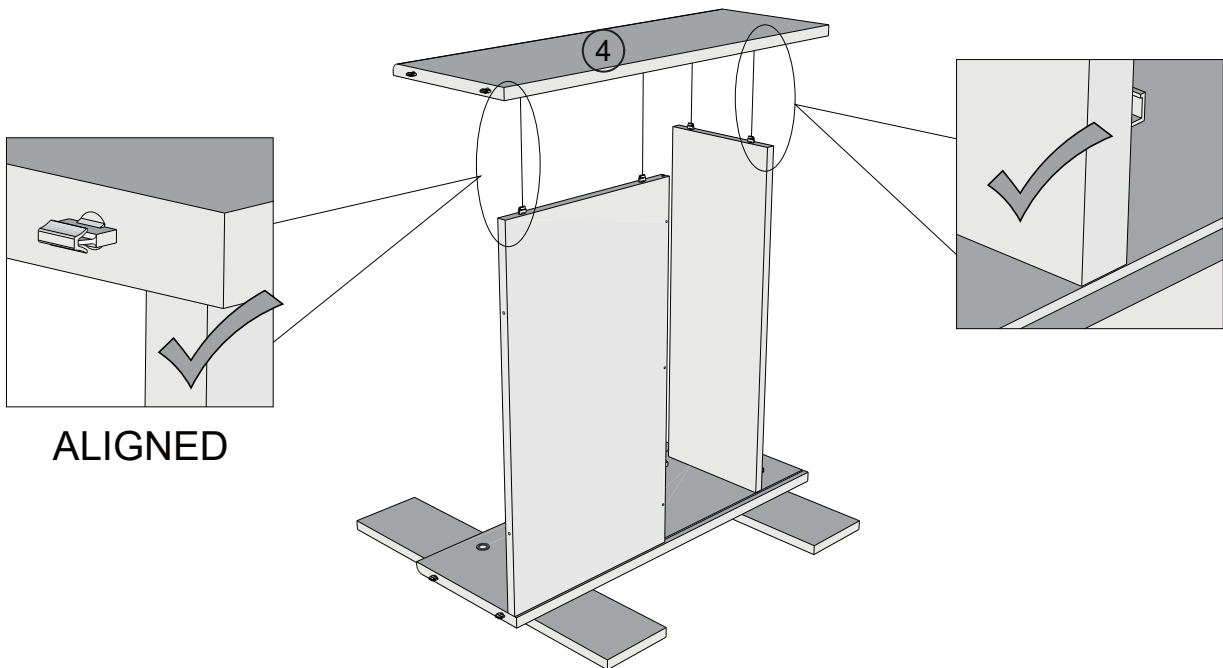
Ref	Dimensions	Qty	Spare Qty	Visual
T4	N/A	2	N/A	
T38	N/A	6	1	
A7	N/A	1	N/A	
T24	N/A	4	N/A	

Ref	Dimensions	Qty	Spare Qty	Visual
N1	N/A	2	N/A	
T25	N/A	2	N/A	
T26	N/A	2	N/A	

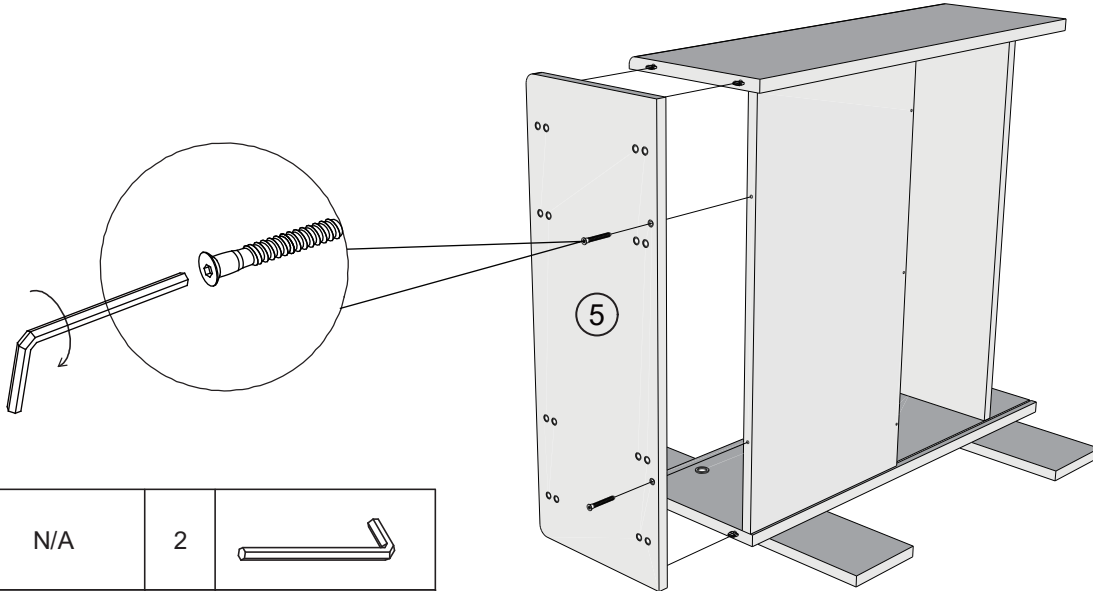
1





2

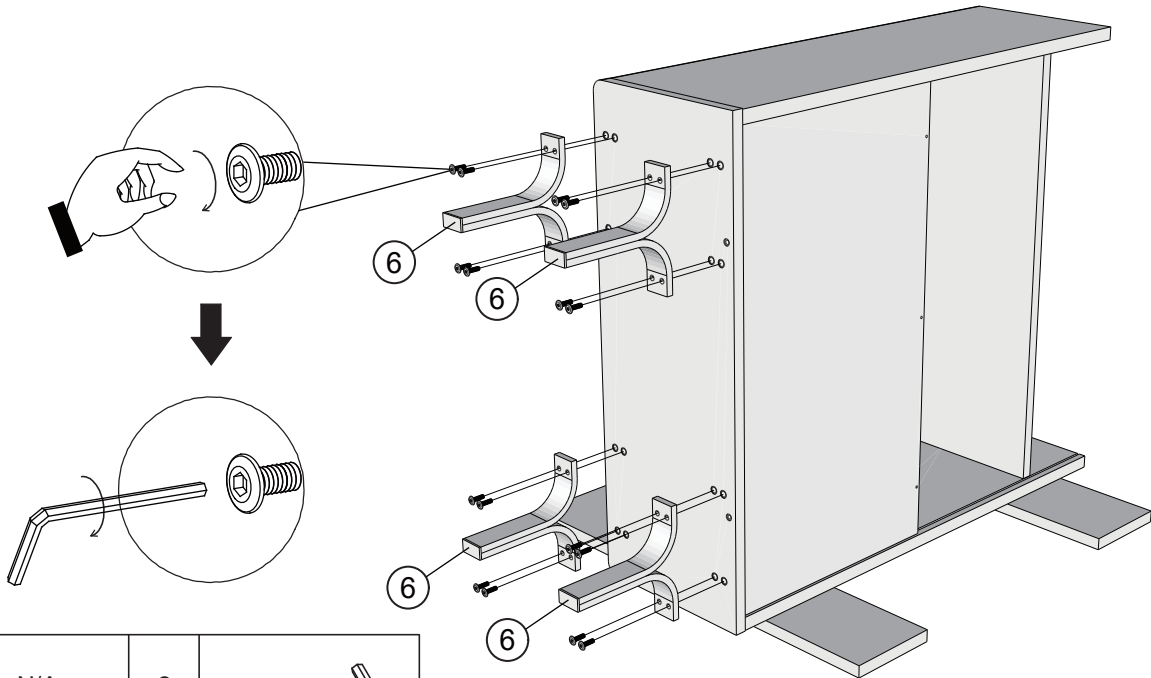




3



T4	N/A	2	
Y8	Ø6x 50mm	2	

4

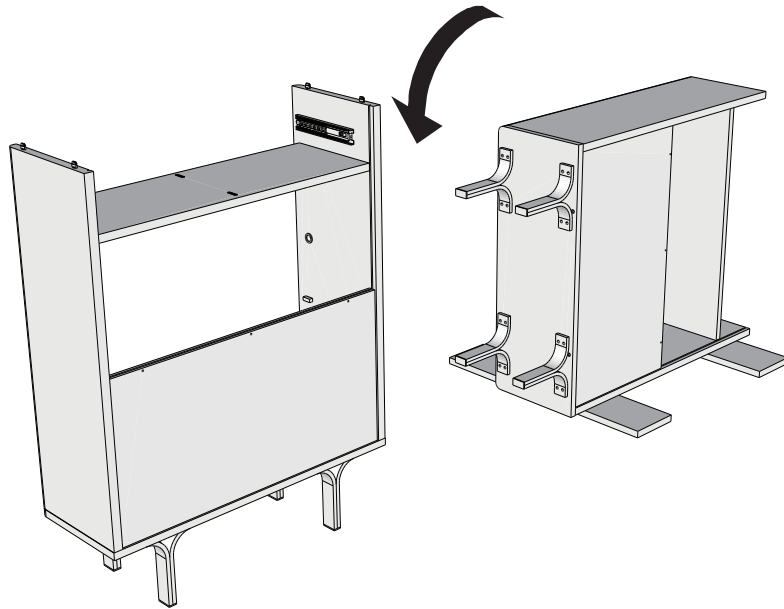


T4	N/A	2	
Y31	Ø6x 22mm	16	

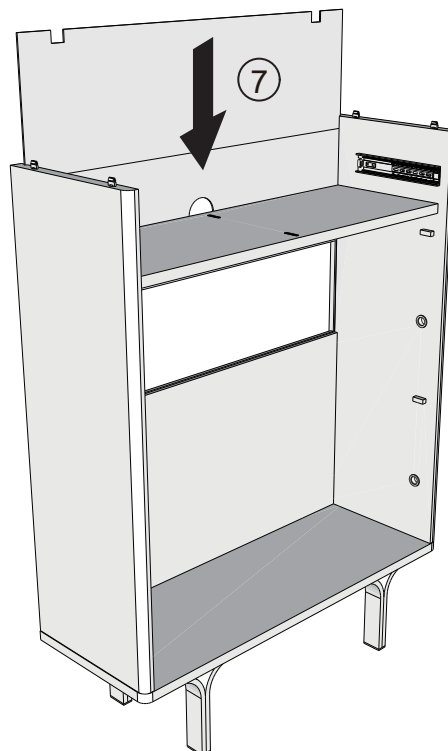
# NEXT

## EVIE SHOE DROP F13523 Assembly instructions

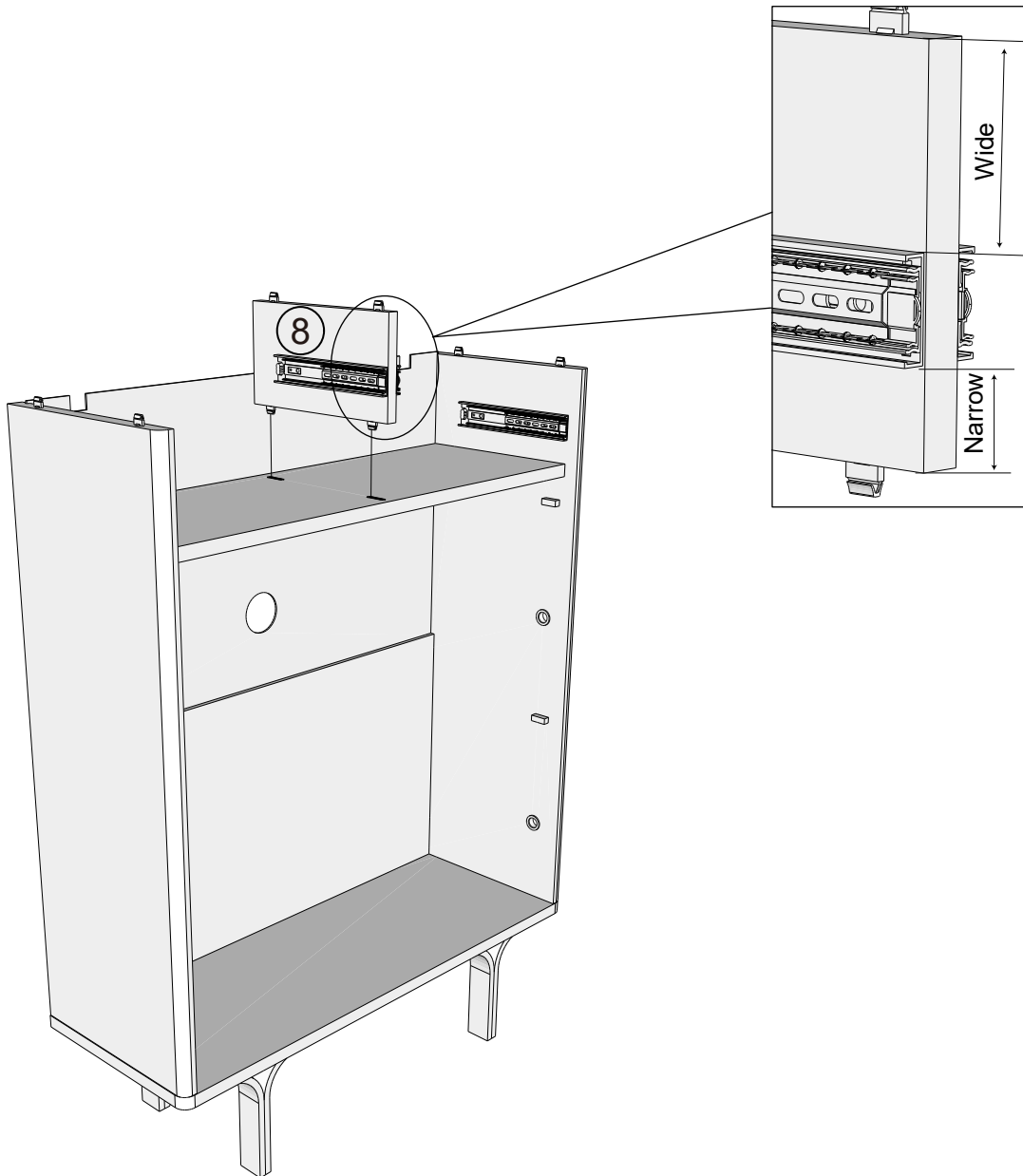
5



6



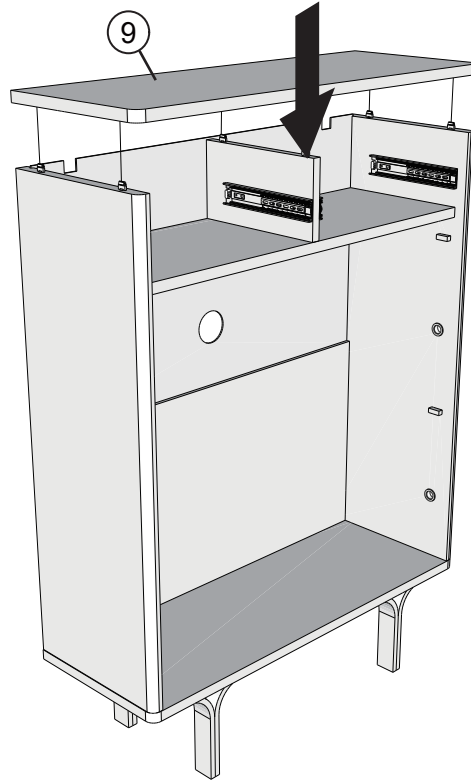
7



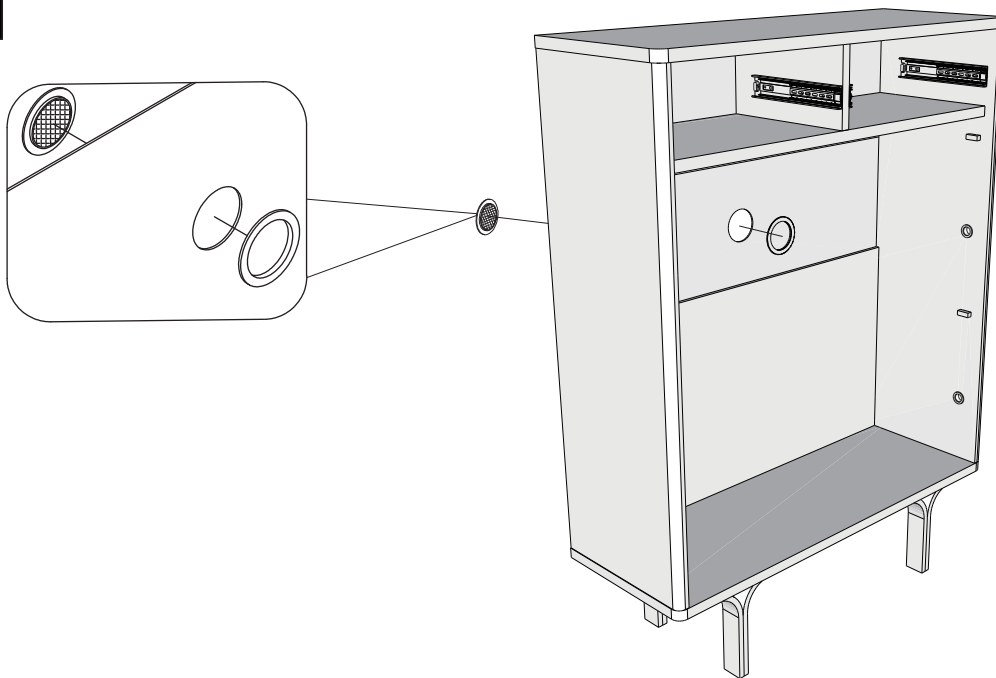
# NEXT

## EVIE SHOE DROP F13523 Assembly instructions

8



9



A7

N/A

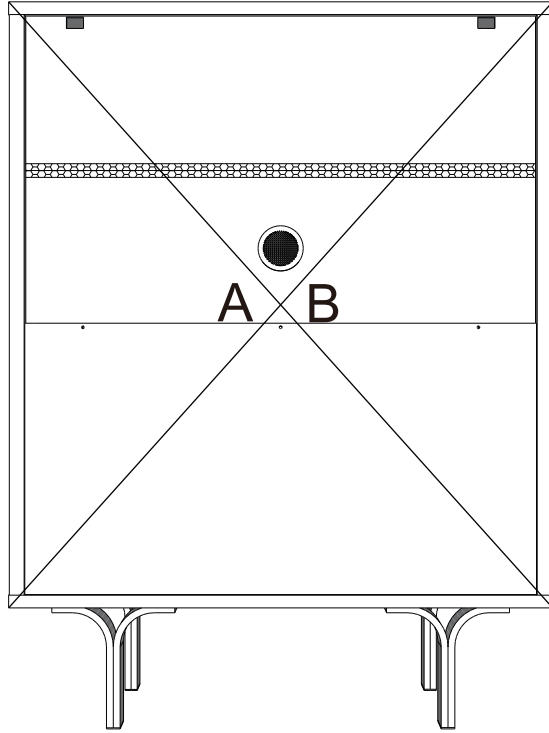
1



# NEXT

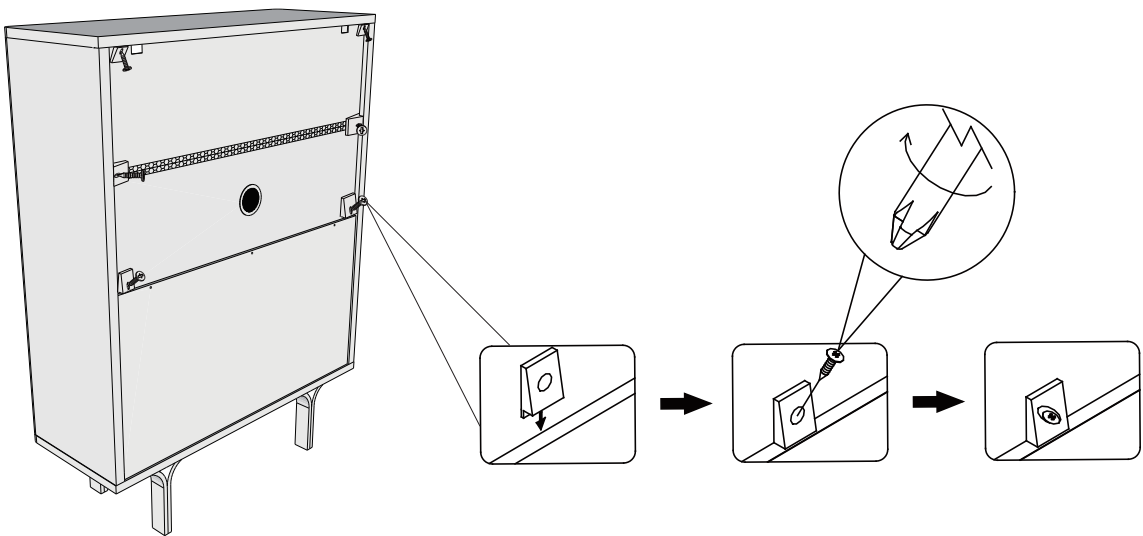
EVIE SHOE DROP  
F13523  
Assembly instructions

10



$A=B$

11



T38

N/A

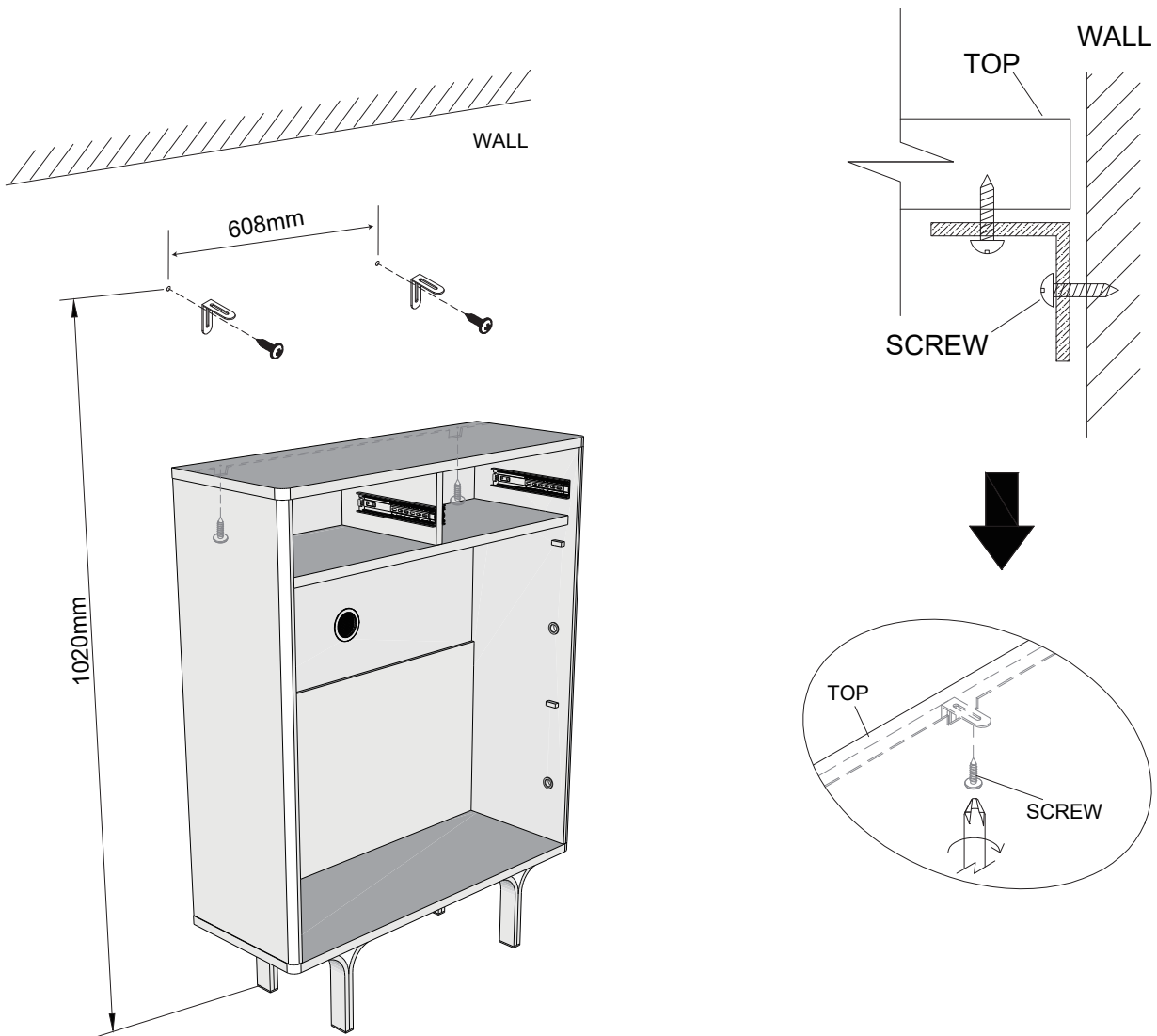
6






not supplied

12

We recommend the use of the wall attachment bracket/strap provided for safety reasons. Move unit into desired position. Secure the 2X"L" metal brackets to the wall with an appropriate screw and wall plug for your wall type (not provided).  
Warning: Always ensure intended wall area to be drilled is free from hidden electrical wires, water and gas pipes.  
NB: Wall fixings are not included-Please source suitable fixing for your wall type. If in doubt please consult a qualified trades person.

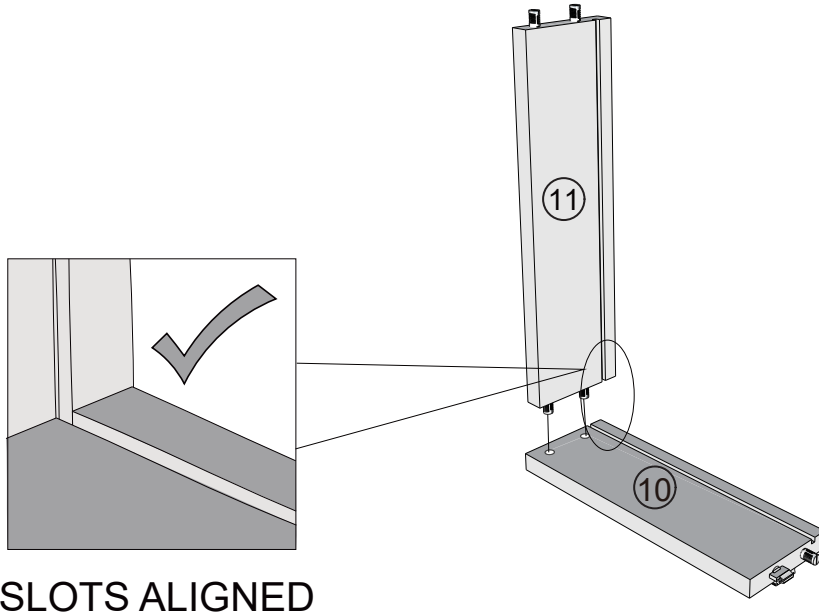


S41	Ø4x 16mm	2	  not supplied
N1	N/A	2	

# NEXT

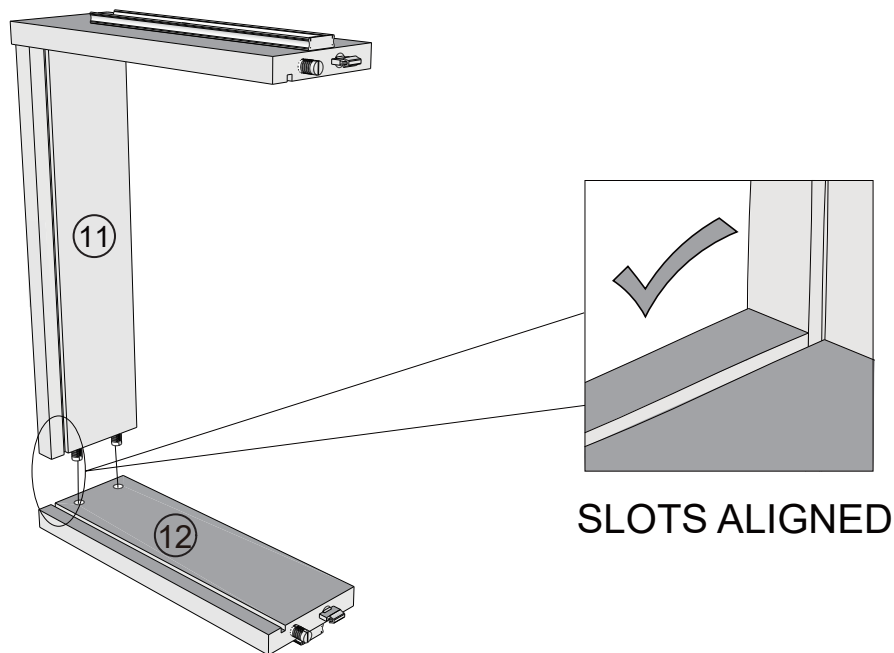
EVIE SHOE DROP  
F13523  
Assembly instructions

13



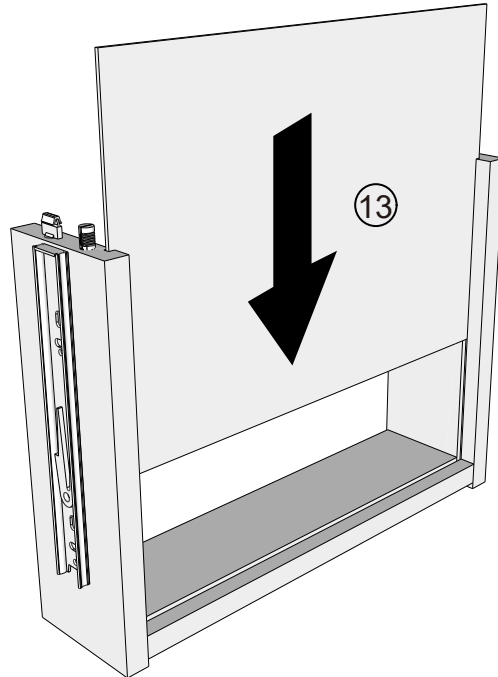
X2

14



X2

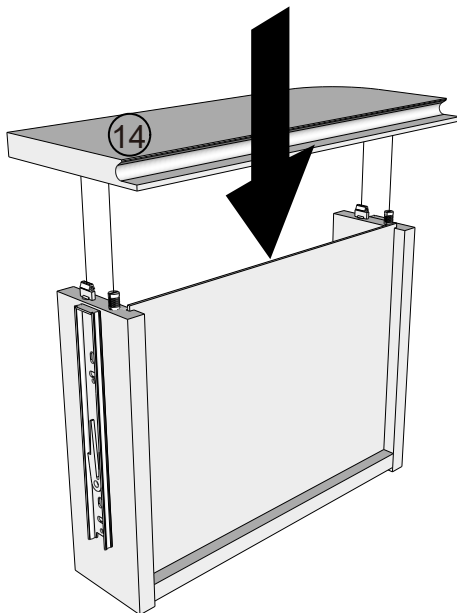
15



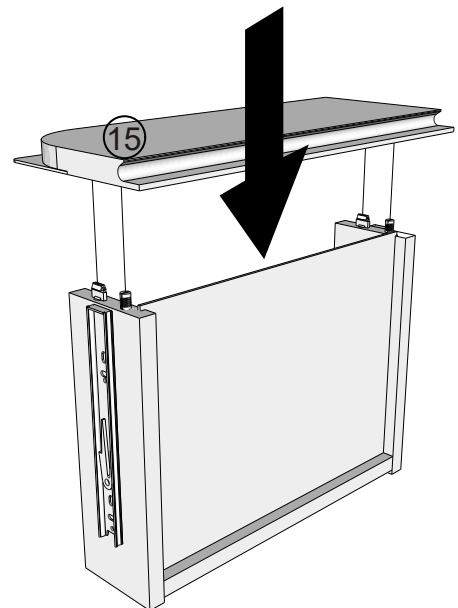
X2

16

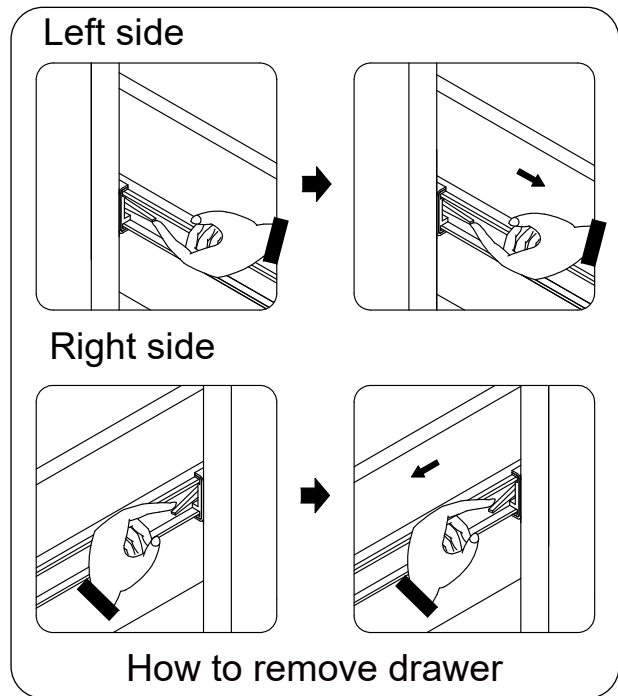
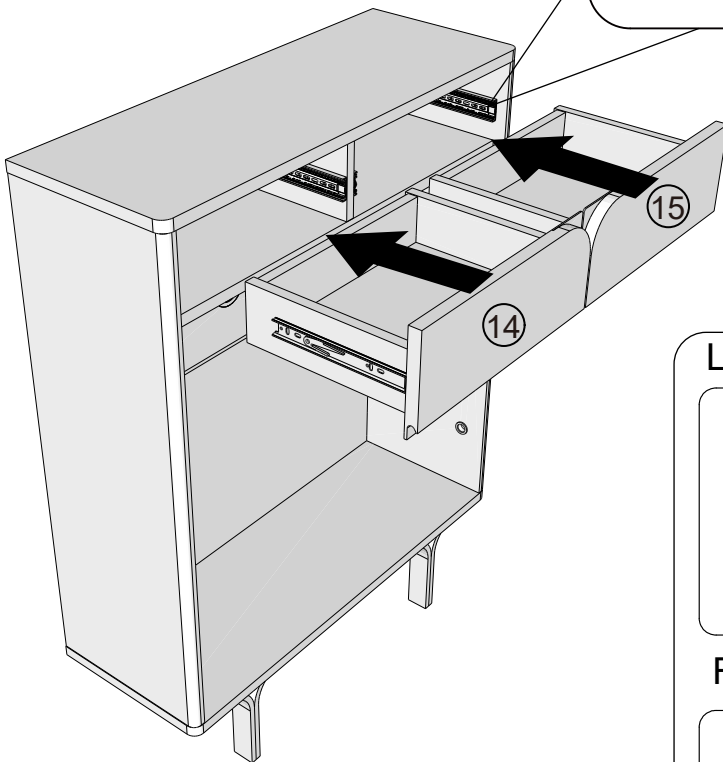
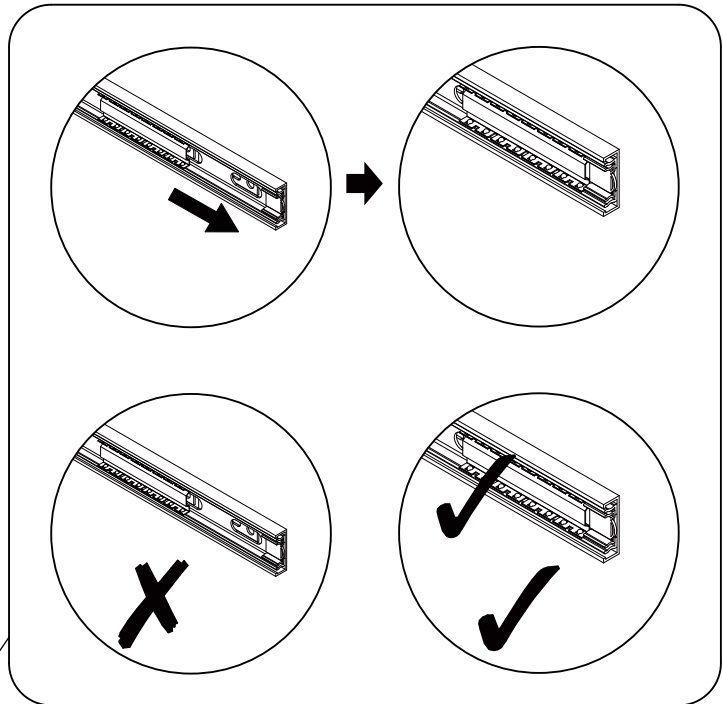
Note: Drawer will be permanently assembled once panel 14 is fitted.



Note: Drawer will be permanently assembled once panel 15 is fitted.



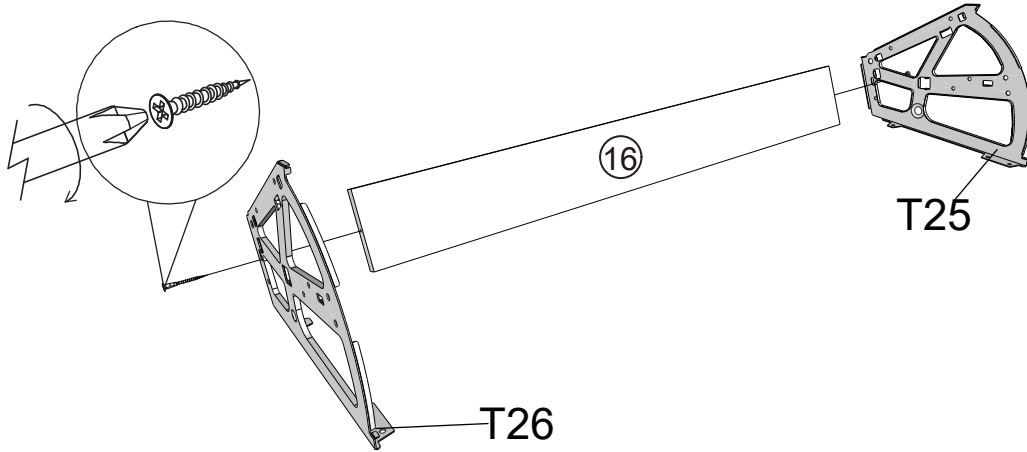
17




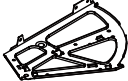


# NEXT

EVIE SHOE DROP  
F13523  
Assembly instructions

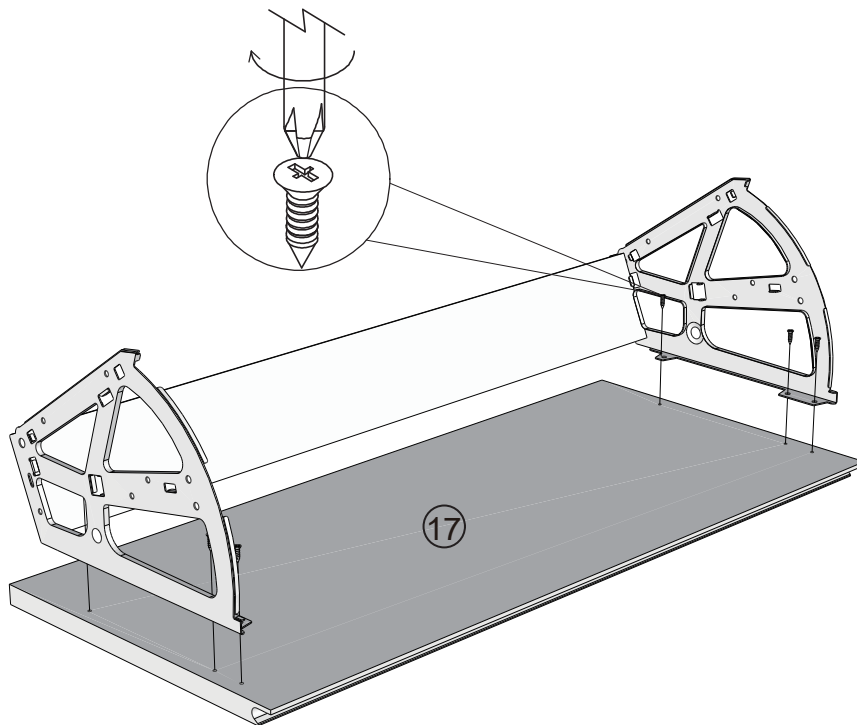
18





U151	Ø4x 25mm	4	  not supplied
T25	N/A	2	
T26	N/A	2	

X2

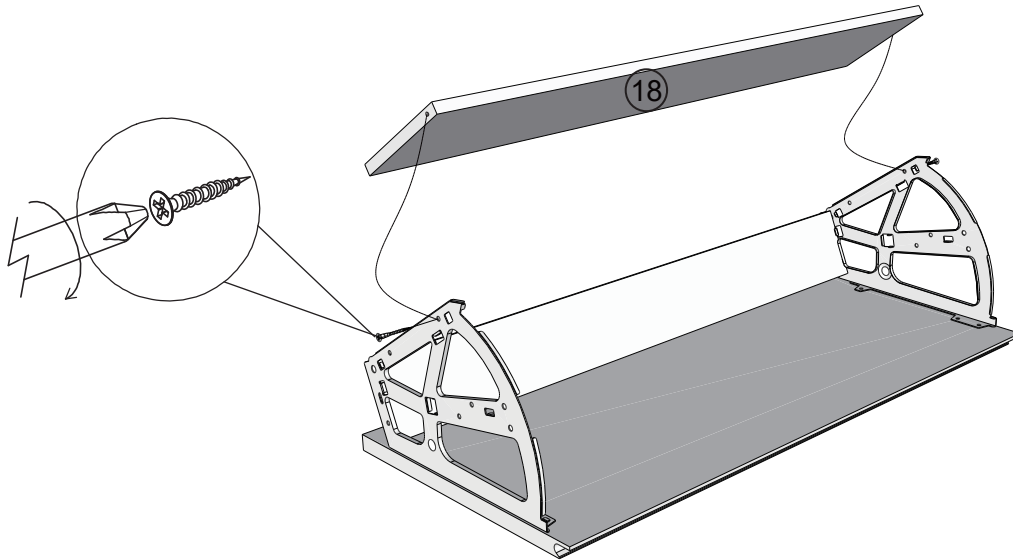
19



U119	Ø4x 14mm	12	  not supplied
------	----------	----	---

X2

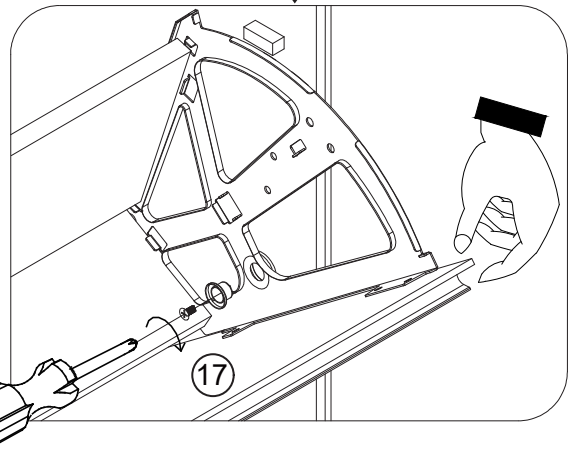
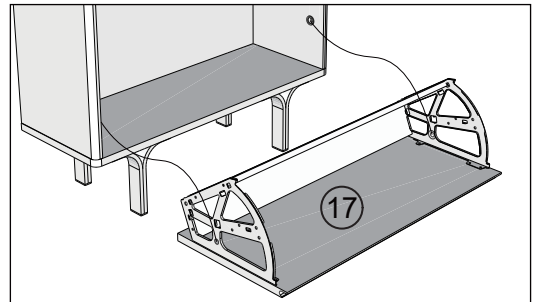
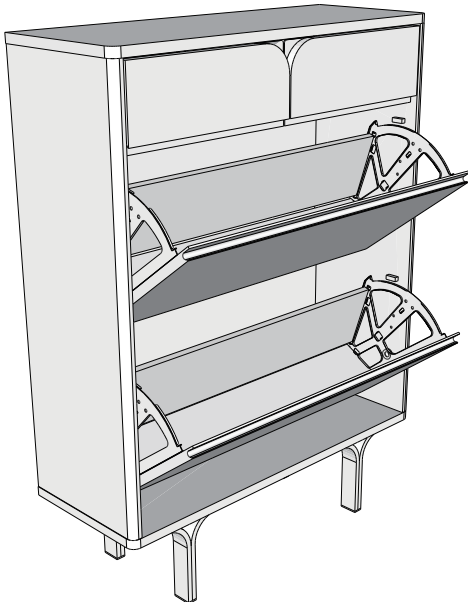
20


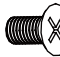



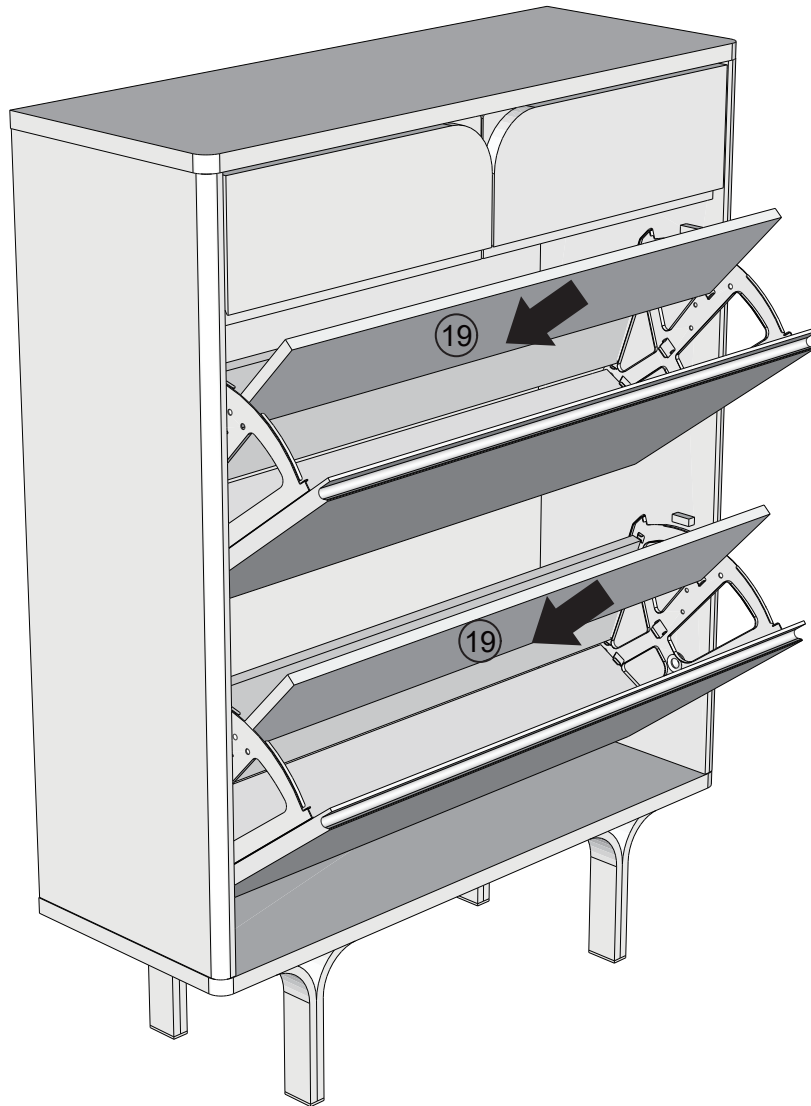
X2

U151	Ø4x 25mm	4		 not supplied
------	----------	---	---	---

21



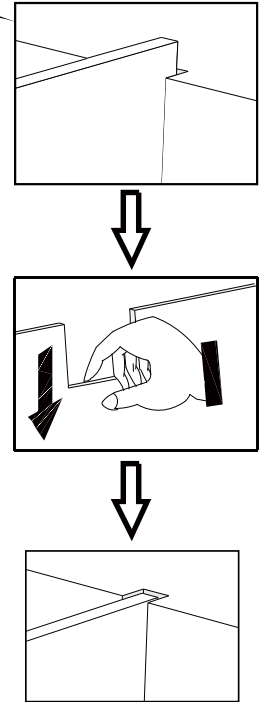
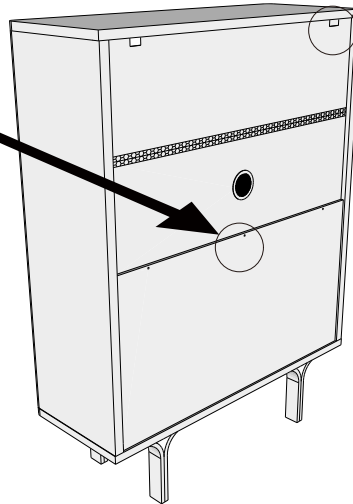
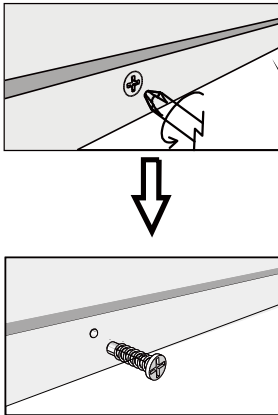
T24	N/A	4		
U93	Ø4x 8 mm	4		 not supplied



23

To disassemble:

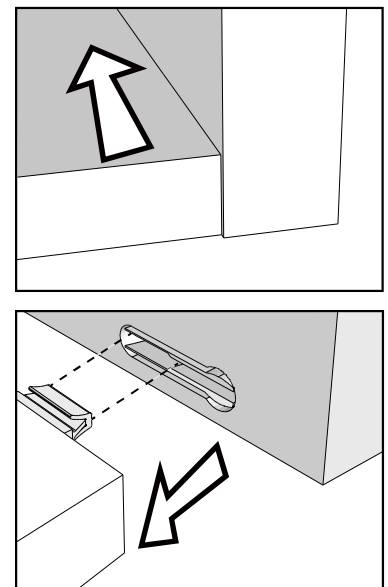
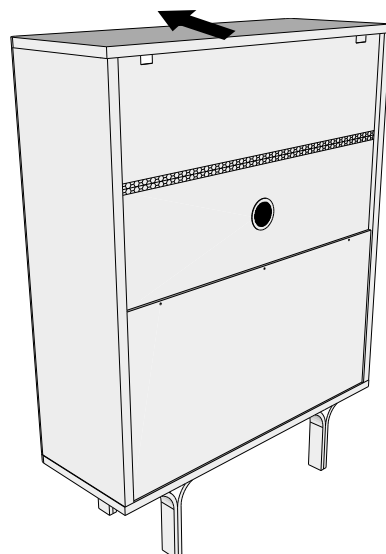
Step1: Remove the plastic wedge (T38) from the back plate, and remove the screws from the rear of the panel(2);



Step2: Press down the back panel so it is clear of the top panel slot;

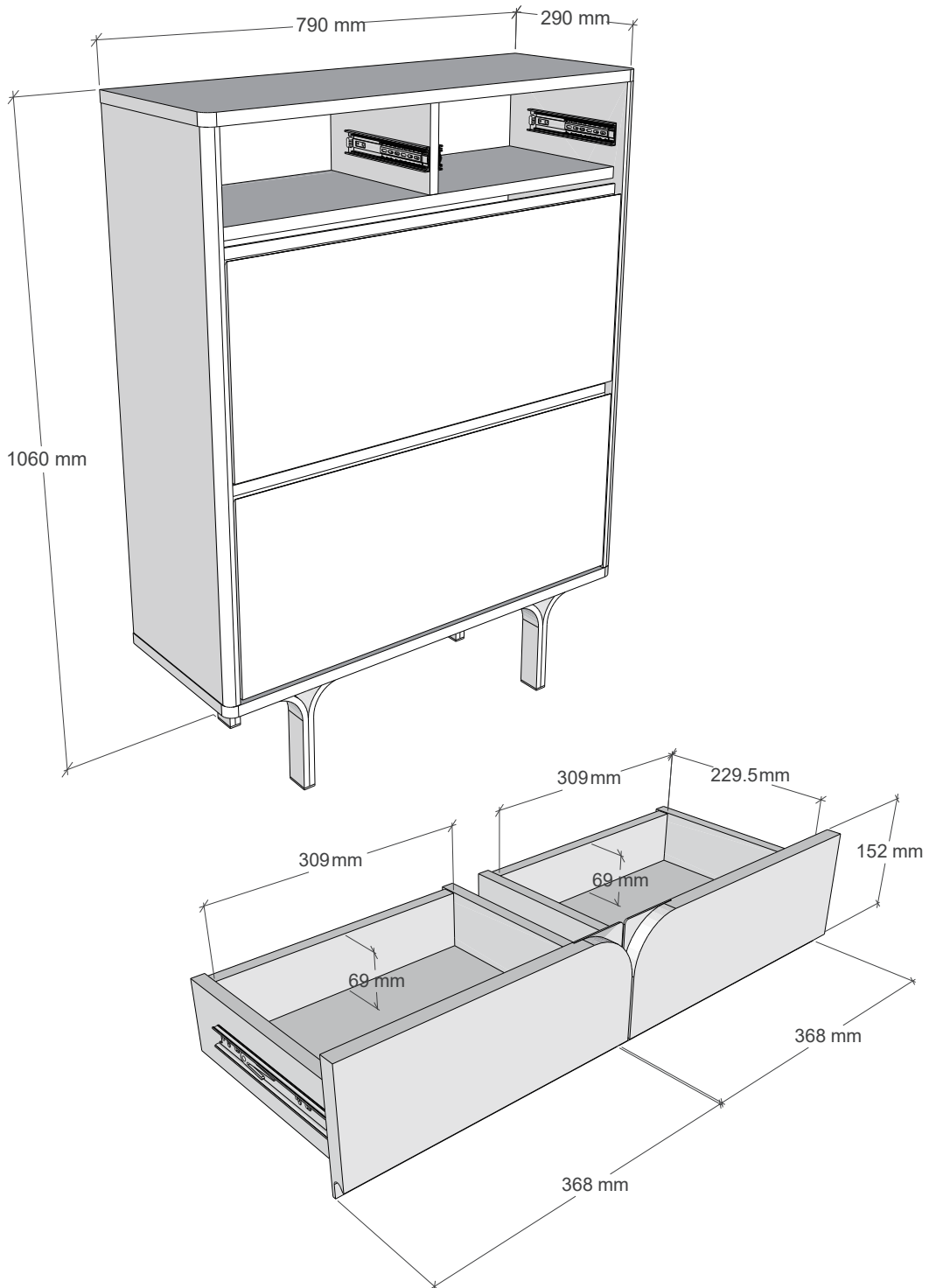
24

Slide the top panel front to unlock, then lift off. Follow the same sequence to remove the other panels;



# NEXT EVIE SHOE DROP F13523

Actual product size  
H106 x W79 x D29 cm



# NEXT

EVIE SHOE DROP  
F13523

## Warnings

We suggest you retain these instructions for future reference.

Keep fittings out of children's reach and keep children well away from construction area.

This product should only be used on firm level ground.

Please periodically check all fittings and re-tighten as necessary.

Please do not sit or stand on your furniture.

Avoid exposing the furniture to excessive heat or direct sunlight as this can cause deterioration of the colour.

Unwrap all packaging materials and place the components on top of the carton box or on a clean floor to protect it from damage

## Missing parts

If you are missing any fixtures and fittings for your product. Please contact our customer service team on 0333 777 8999 and they will be happy to arrange for a replacement to be sent to you free of charge.

## Home service technicians

If you have a fault with your product, please contact our customer service team on 0333 777 8999. If you have had the product for 28 days or less you may be offered a replacement, refund or for a fully trained home service technician to visit your home to assess the fault and repair the product where possible. If you have had the product for more than 28 days we will send an independent home service technician to review and repair the product where possible and recommend further action.

## You can write to us at

Home Customer Services  
Next Retail Ltd.  
Desford Road,  
Leicester,  
LE19 4AT

To view our full furniture range please visit [www.next.co.uk](http://www.next.co.uk)