

NEXT

FLYNN WARDROBE 4 DOORS

F75518

Assembly instructions

Actual product size

H190 x W156.4 x D50.2 cm



Need Help ?

With: Assembly instruction

Missing or damaged parts

IMPORTANT - RETAIN FOR OR FUTURE REFERENCE

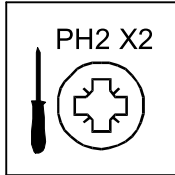
CALL: 0333 777 8999

BEFORE YOU START

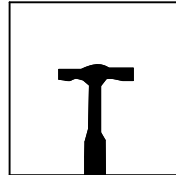
Number of people required to assemble

Two people are required to assemble this item

Time to assemble : 90 minutes



not supplied



not supplied

Do's

We suggest you spend a short time reading through this leaflet before you start.

When you are ready to start, make sure that you have the right tools and plenty of space.

Unwrap all packaging materials and place the components on a clean surface to protect it from damage.

We recommend that the packaging is used to protect the surfaces during assembly.

Carefully check that you have all the parts before beginning assembly.

Due to the size of the product we recommend that it is assembled in the room intended for use.

Ensure the product is fully assembled as illustrated and all fixings are fully tightened before use.

Wipe occasionally with a soft cloth slightly dampened with water. Then buff with a dry clean soft cloth.

Don'ts

Do not drag or pull your furniture.

Do not use silicone based furniture polish. Silicone in furniture polishes can break down the finish.

Never allow any kind of liquid to remain on your furniture.

Absorption can cause wood to warp or finishes to de-laminate.

Do not place hot items (e.g. hot drinks) directly on to the wood surface.

Please make sure you use a placement or coaster.

PRODUCT SUPPLIED WITH WALL FIXING BRACKET/S

Missing parts

If you are missing any fixtures and fittings for your product. Please contact our customer service team on 0333 777 8999 and they will be happy to arrange for a replacement to be sent to you free of charge.

Warnings

We suggest you retain these instructions for future reference.

Keep fittings out of children's reach and keep children well away from the construction area.

This product should only be used on firm, level ground.

Please periodically check all fittings and re-tighten as necessary.

Please do not sit or stand on your furniture.

Avoid exposing the furniture to excessive heat or direct sunlight as this can cause deterioration of the colour.

Unwrap all packaging materials and place the components on top of the carton box or on a clean floor to protect it from damage.

Home service technicians

If you have a fault with your product please contact our customer service team on 0333 777 8999. If you have had the product for 28 days or less you may be offered a replacement, refund or for a fully trained home service technician to visit your home to assess the fault and repair the product where possible.

If you have had the product for more than 28 days we will send an independent home service technician to review and repair the product where possible and recommend further action.

You can write to us at

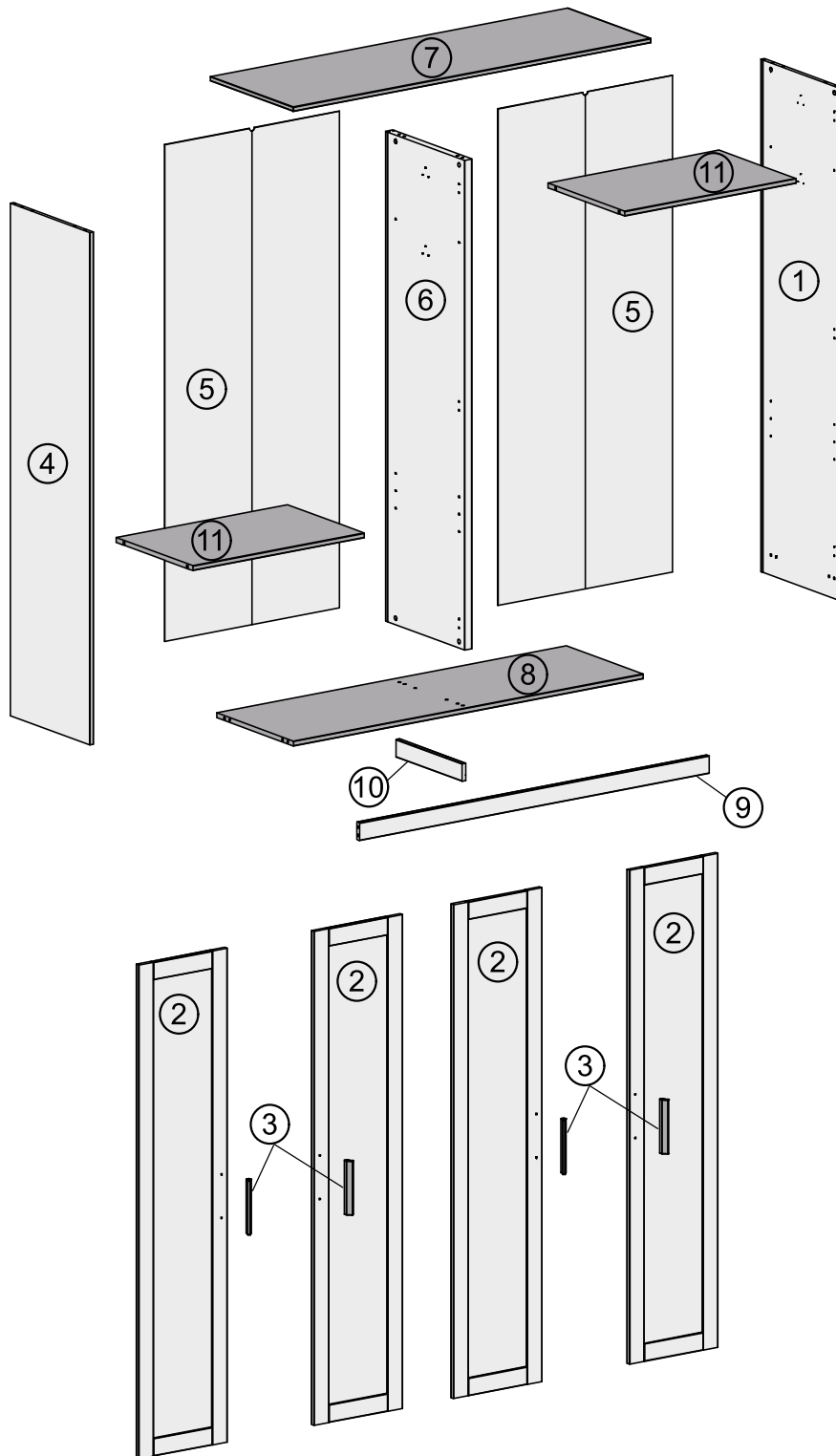
Home Customer Services
Next Retail Ltd,
Desford Road,
Leicester,
LE19 4AT

To View our full furniture range please visit www.next.co.uk

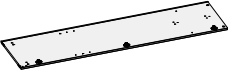
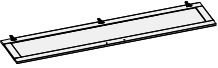


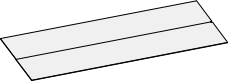

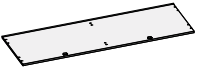
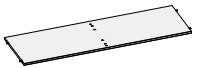



Need Help ?

With : Assembly instruction
Missing or damaged parts
CALL: 0333 777 8999

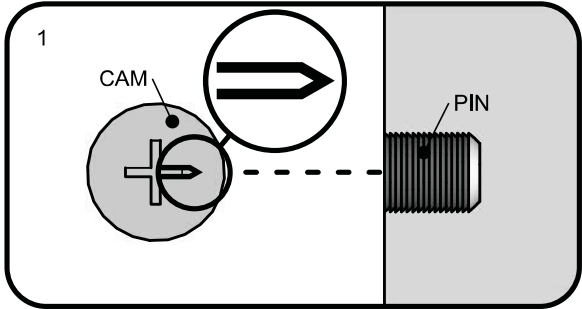
GETTING TO KNOW YOUR PRODUCT



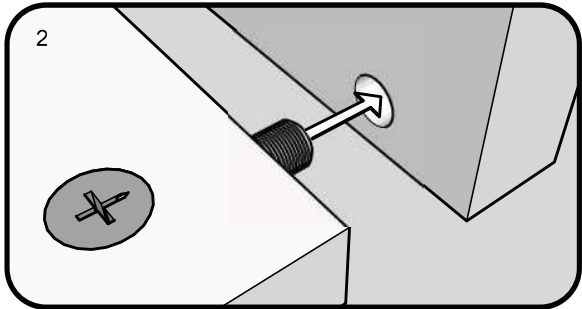
Components supplied. Please use this guide if you require replacement parts.

Ref	Dimensions	Visual	Qty	Ctn
1	48x188cm		1	1
2	38.7x181.6cm		4	1
3	3.1x20cm		4	1
4	48x188cm		1	2
5	76x182.6cm		2	2
6	48x180cm		1	2
7	50.2x156.4cm		1	3
8	46.5x153cm		1	3
9	6.5x153cm		1	3
10	6.5x40cm		1	3
11	46.5x75cm		2	3

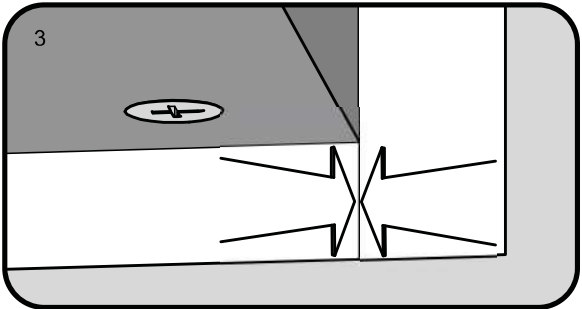
TITUS TIGHTENING INSTRUCTIONS



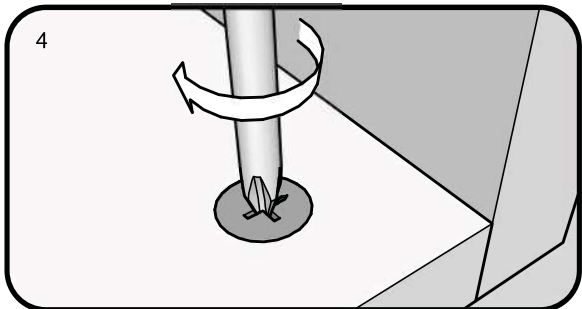
Line up the arrow on the CAM with the PIN.



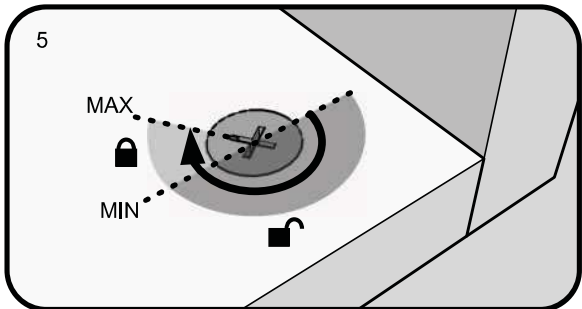
Push the pins into the holes in the panel to be joined.



Make sure there is no gap between the panels.



Use a cross-point screwdriver (PH2 or PZ2 is ideal) to tighten the cams and lock the panels together.

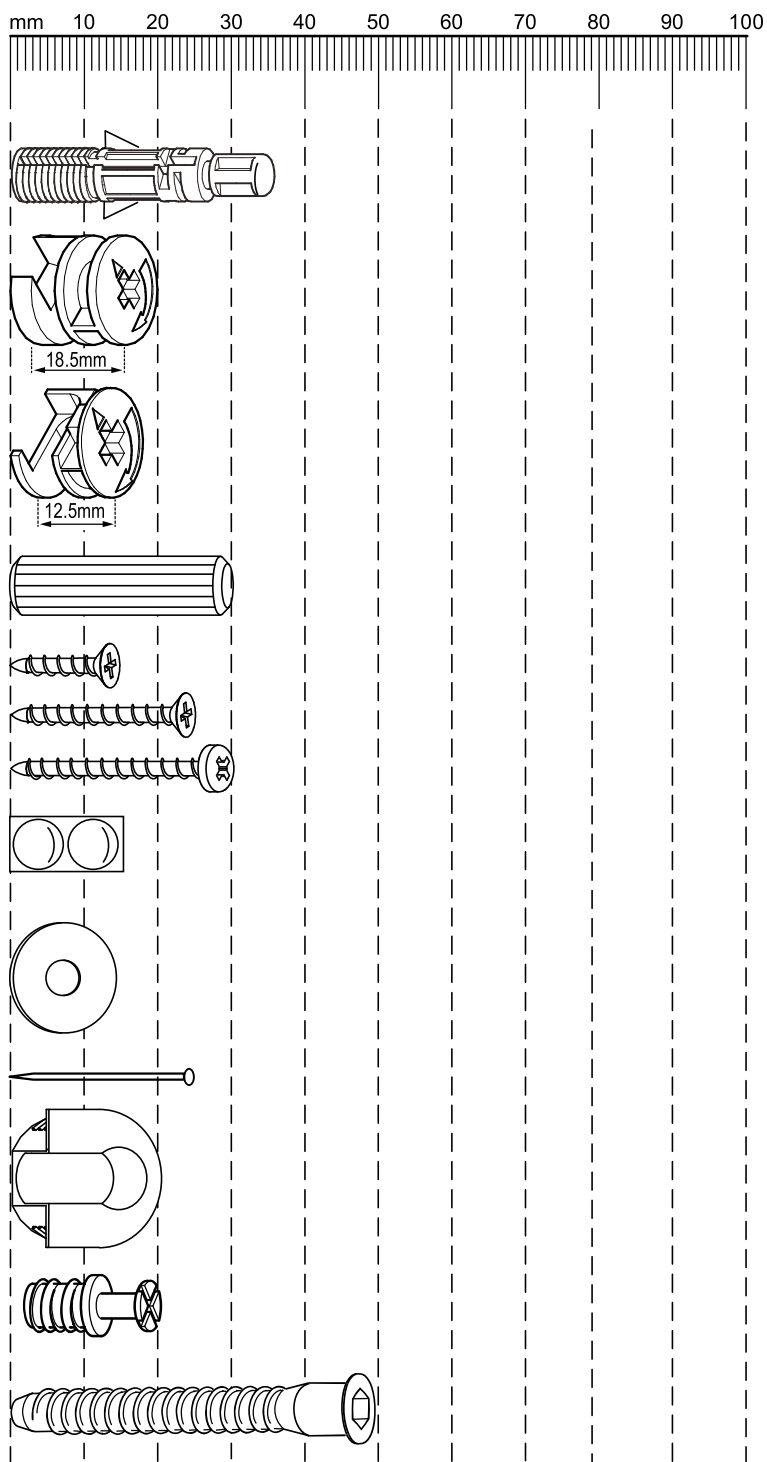


The panels are locked when each cam is turned to between 1/2 and 2/3 of a full turn (Maximum rotation)

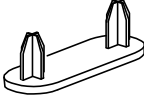
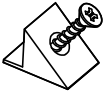
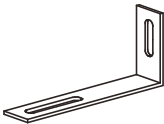
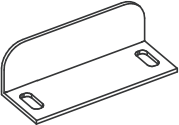
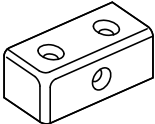
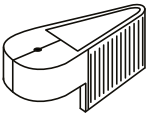
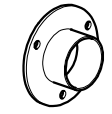


Next Retail Ltd, Desford Road, Enderby, Leicester, LE19 4AT

Fixtures and fittings
supplied (actual size)

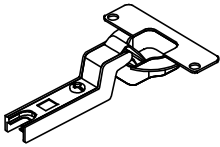
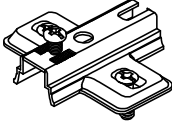
Ref	Dimensions	Quantity
A	8 x 36mm	14
B	15 x 18.5mm	4
C	15 x 12.5mm	10
D	8 x 30mm	14
E	3.5 x 15mm	18
F	3.5 x 25mm	6
G	4 x 30mm	8
H	Ø10 x 1.5mm	4
J	Ø5 x 15mm	4
K	1,5 x 25mm	10
M	20 x 12.5mm	8
N	9 x 17mm	8
P	7 x 50mm	2



Fixtures and fittings supplied (not to scale)

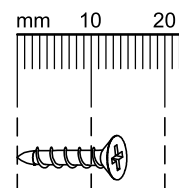
Ref	Dimensions	Visual	Qty
Q	N/A		6
R	N/A		24
S	76x32x15mm		2
T	N/A		2
U	13x13x35mm		2
V	N/A		1
W	N/A		4
X	Ø25x746mm		2
Y	N/A		1

Fixtures and fittings supplied (not to scale)

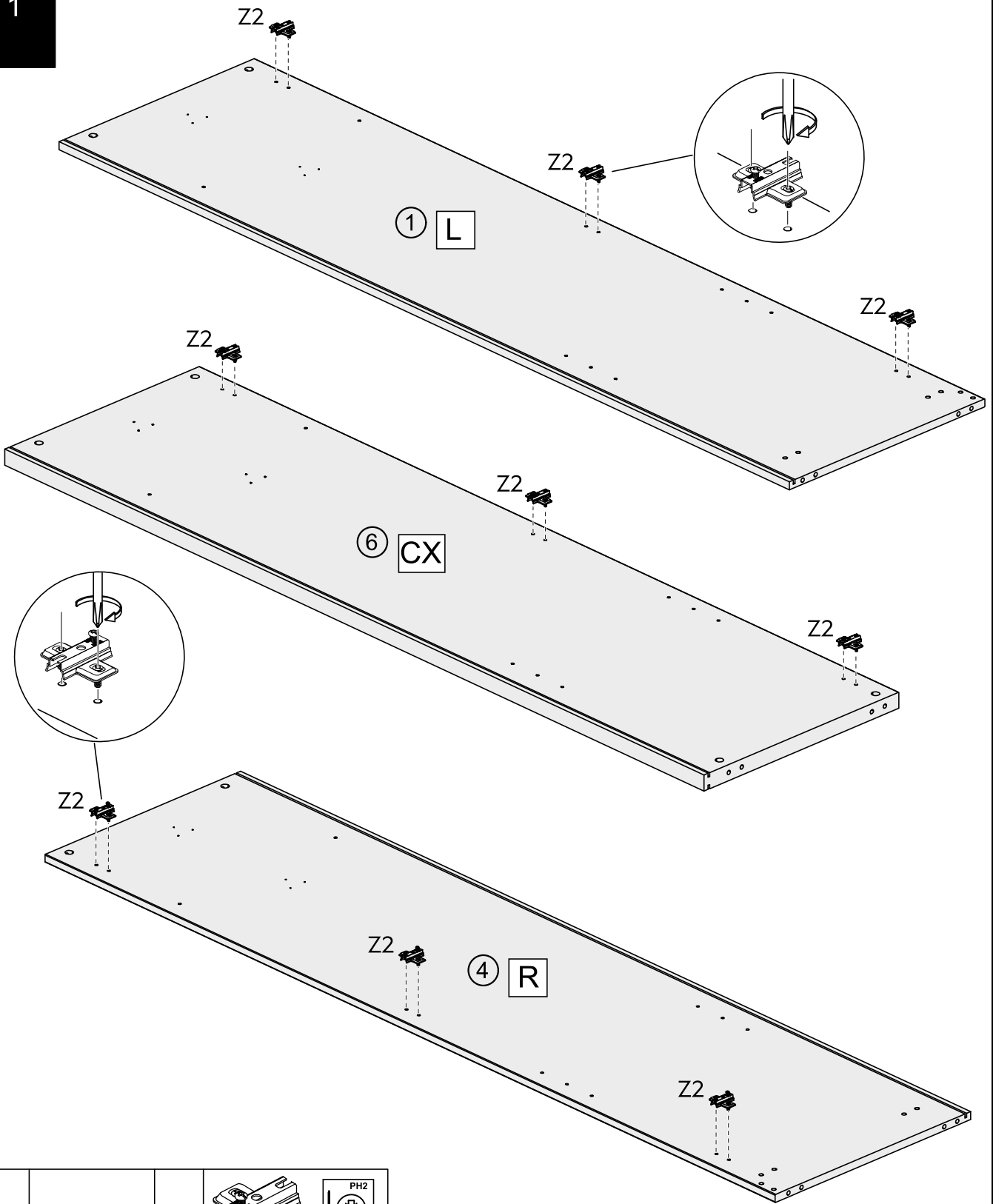
Ref	Dimensions	Visual	Qty
Z1	N/A		12
Z2	N/A		12

Fixtures and fittings supplied (actual size)

Ref	Dimensions	Quantity
E	3.5x15mm	24



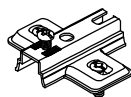
1



Z2

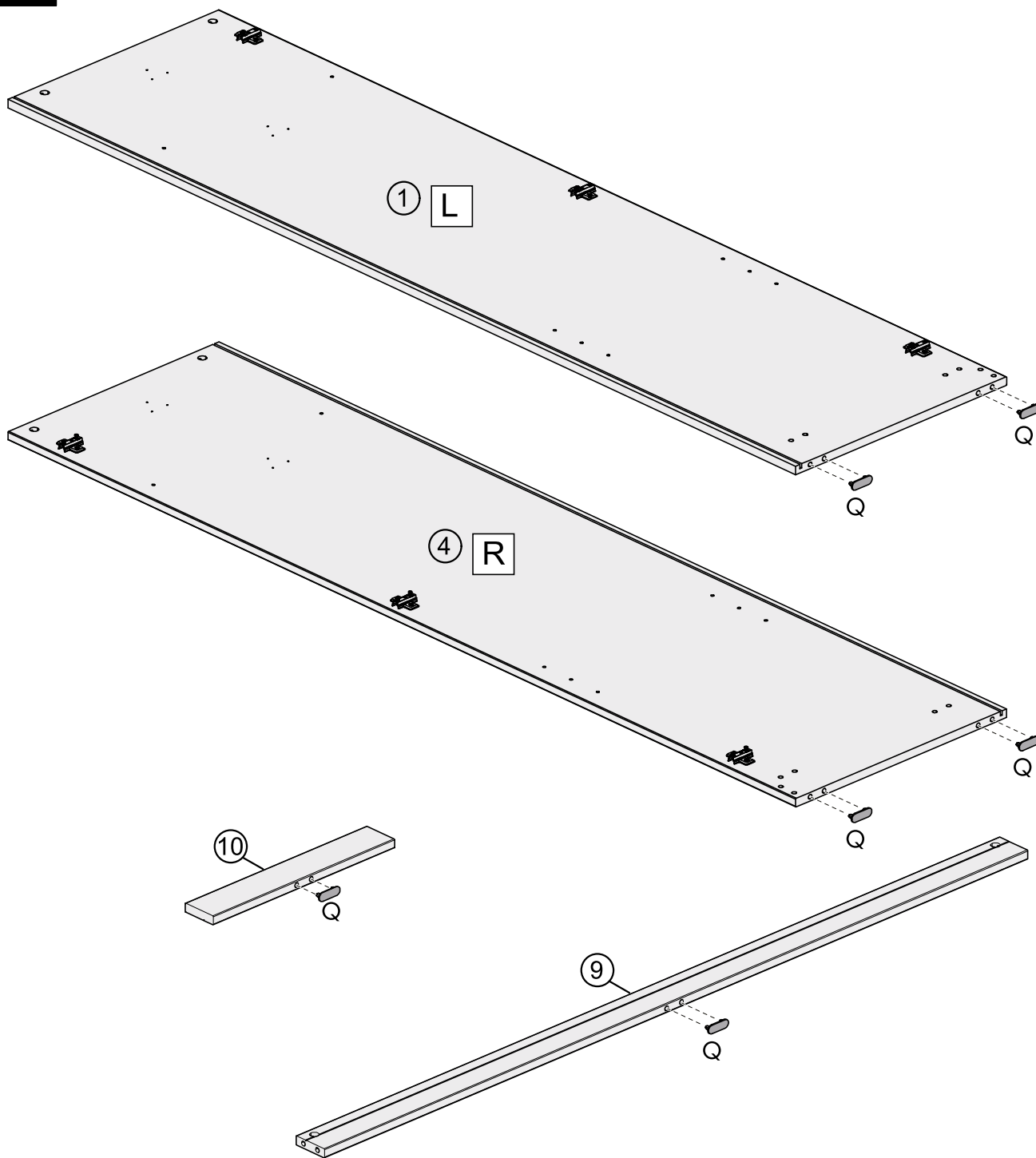
N/A

9



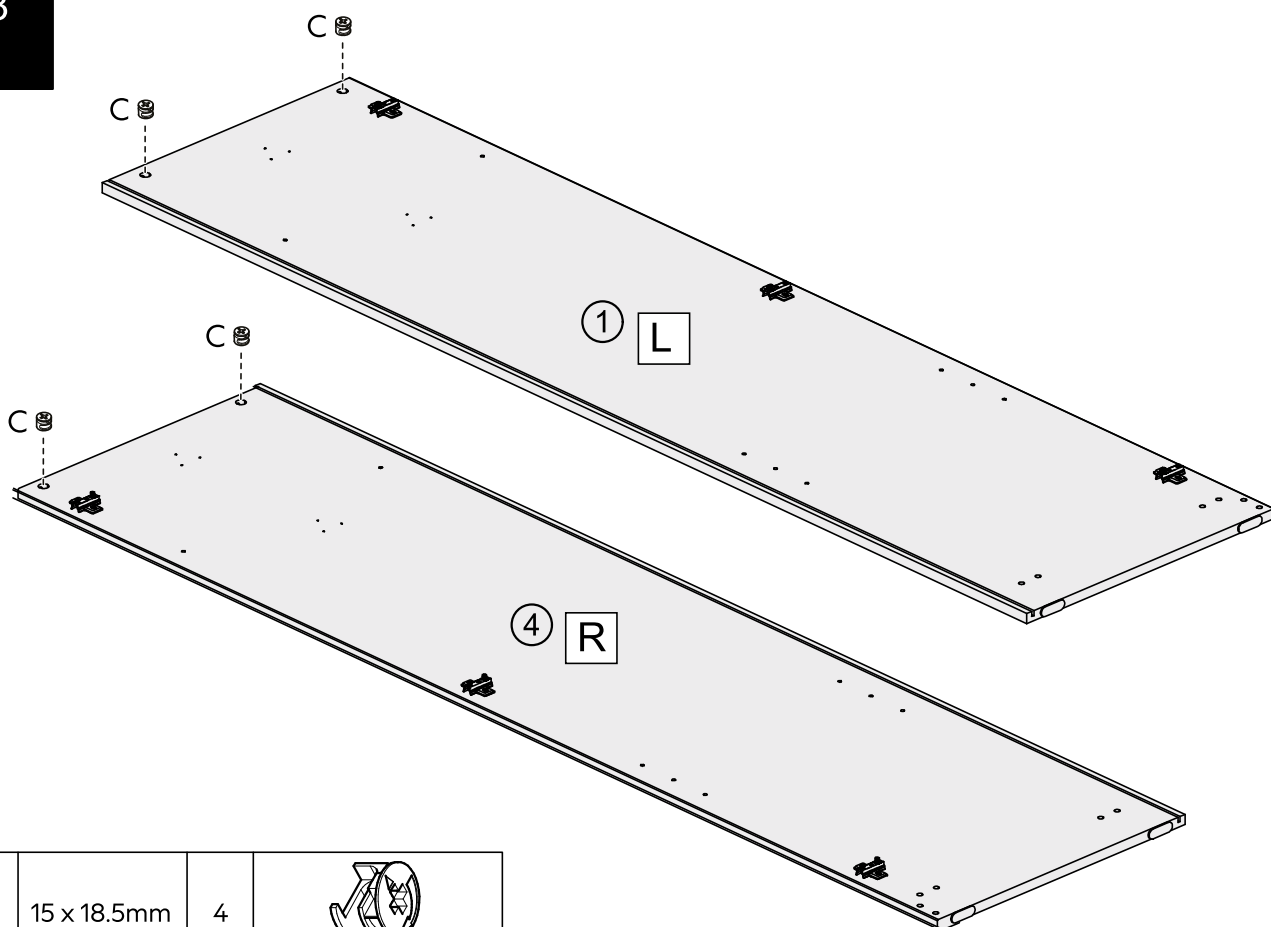
not supplied

2



Q	N/A	6	
---	-----	---	--

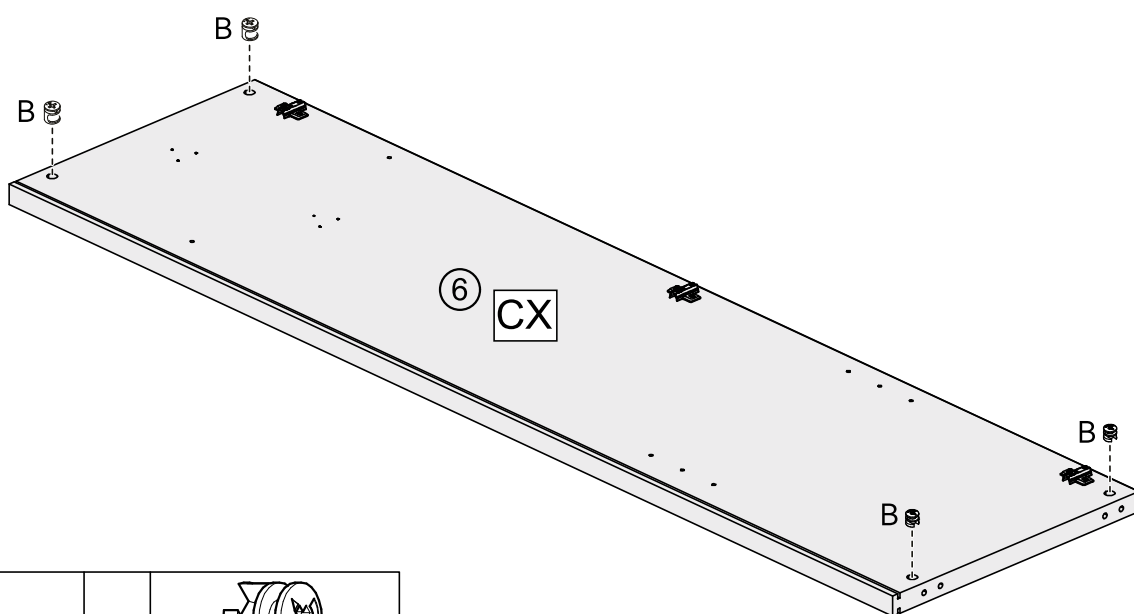
3



C 15 x 18.5mm 4



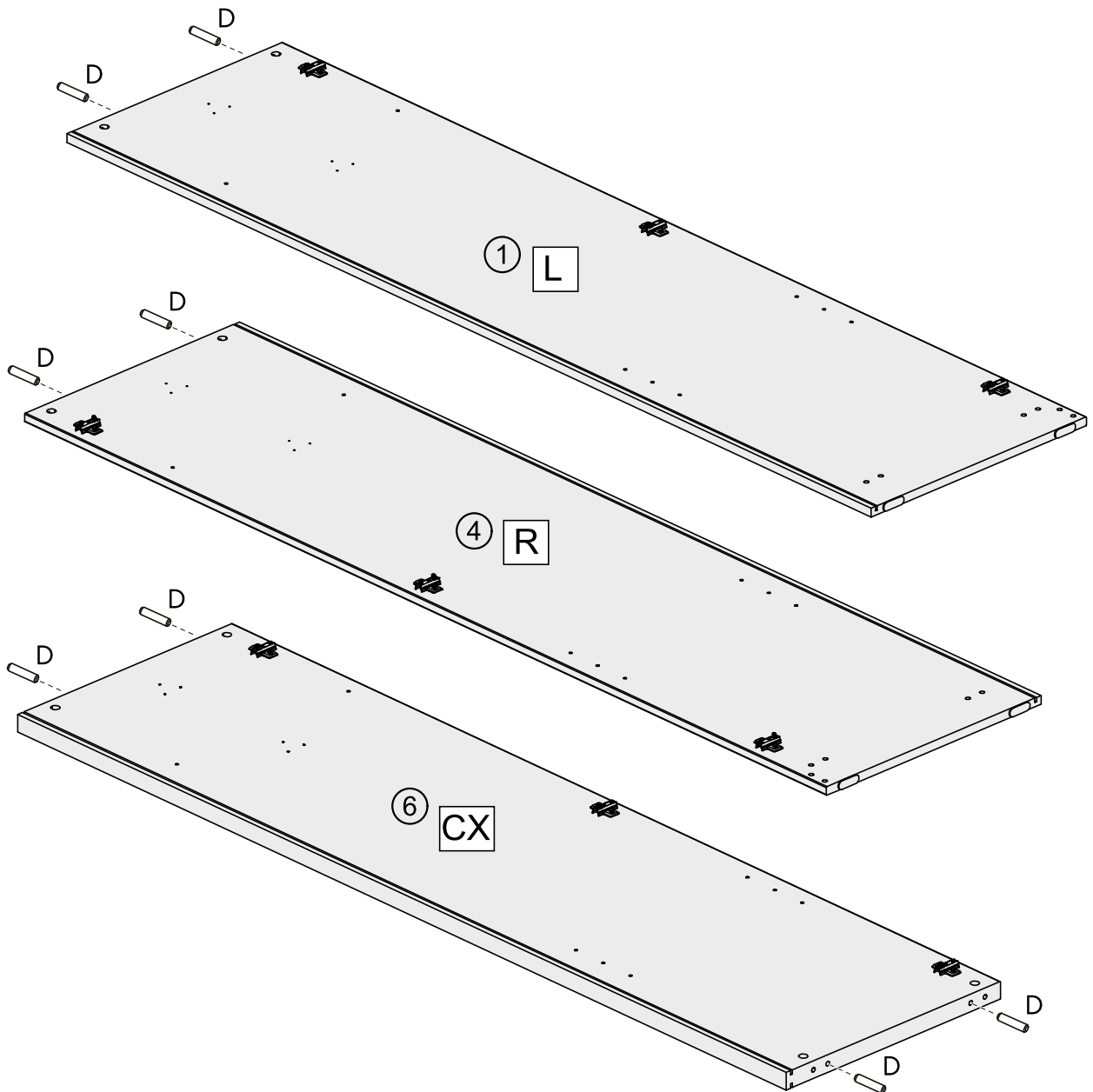
4



B 15 x 18.5mm 4



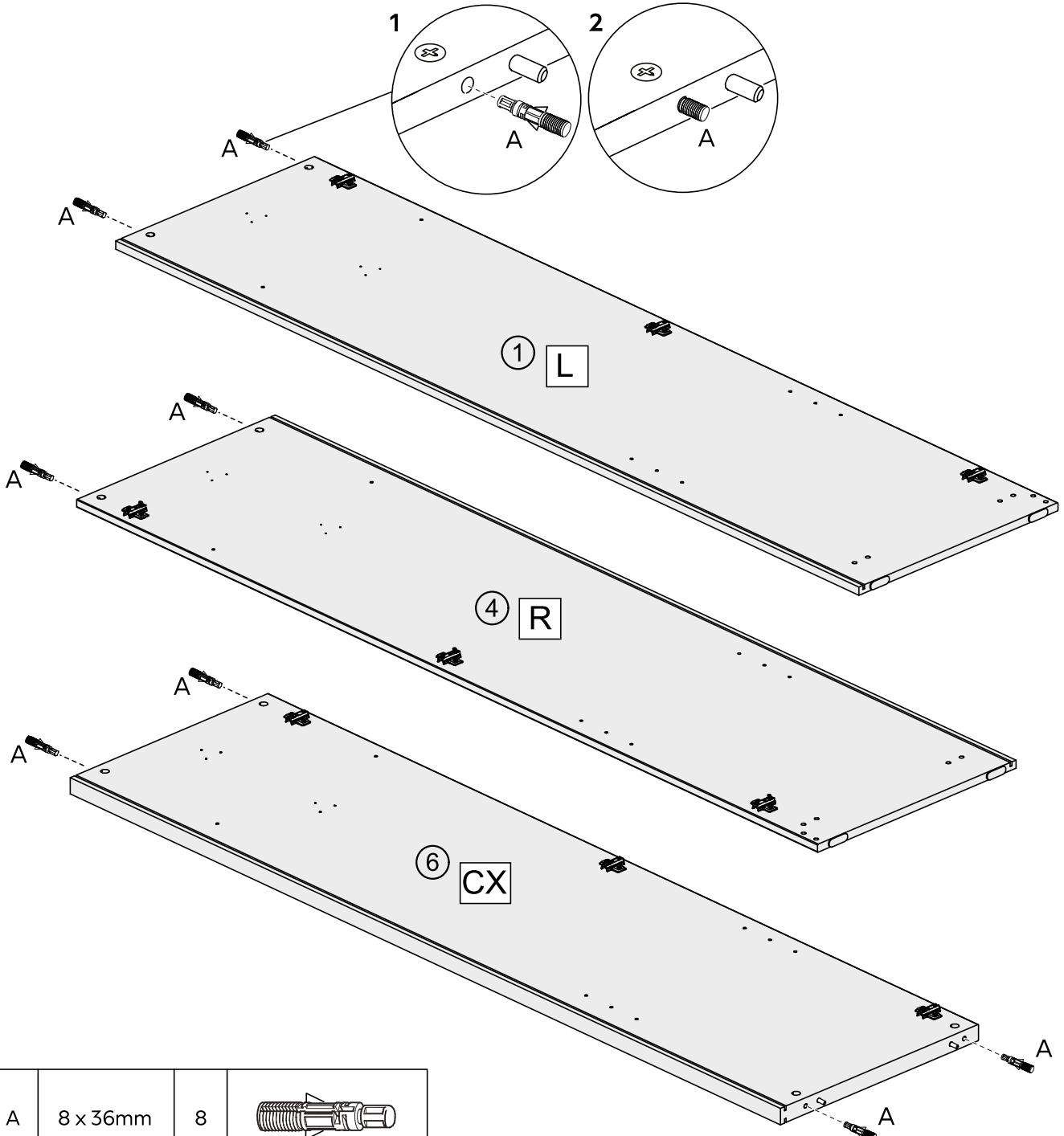
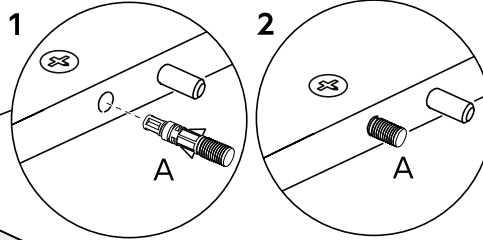
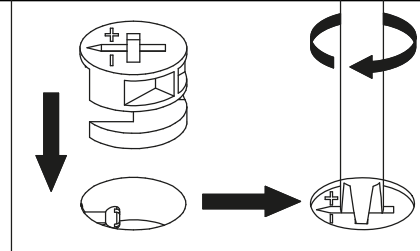
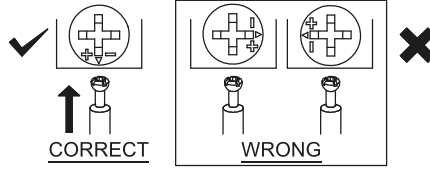
5



D	8 x 30mm	8	
---	----------	---	--

6

WHEN FITTING CAMS
ENSURE STARTING POSITION IS CORRECT
BEFORE YOU INSERT CONNECTING CAM-PILLAR
TURN CLOCKWISE UNTIL SECURE

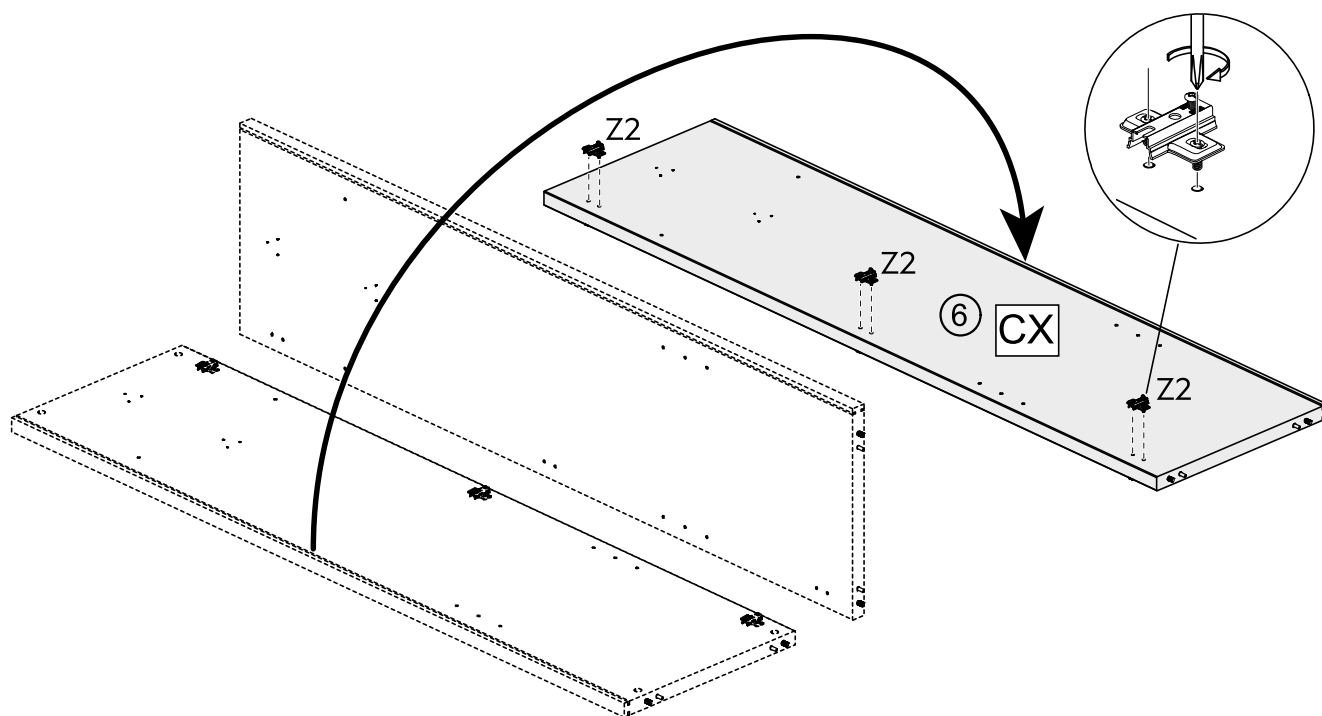


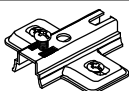
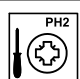
A	8 x 36mm	8	
---	----------	---	--

7

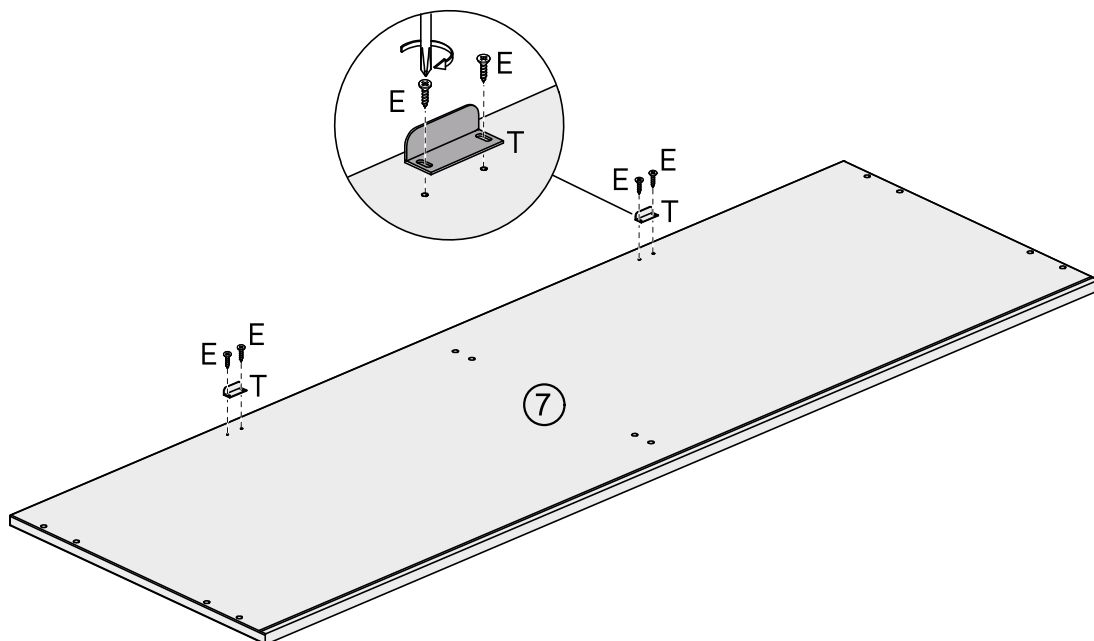


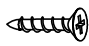

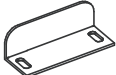
Carefully rotate the element



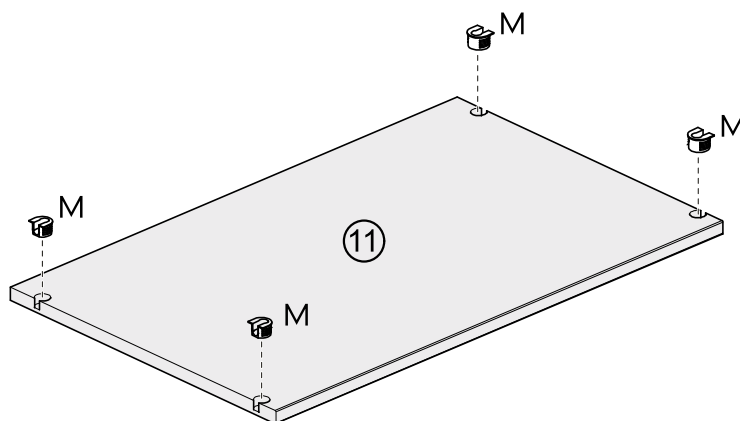
Z2	N/A	3		 not supplied
----	-----	---	---	---

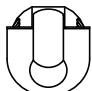
8



E	3.5 x 15mm	4		 not supplied	T	N/A	2	
---	------------	---	---	---	---	-----	---	---

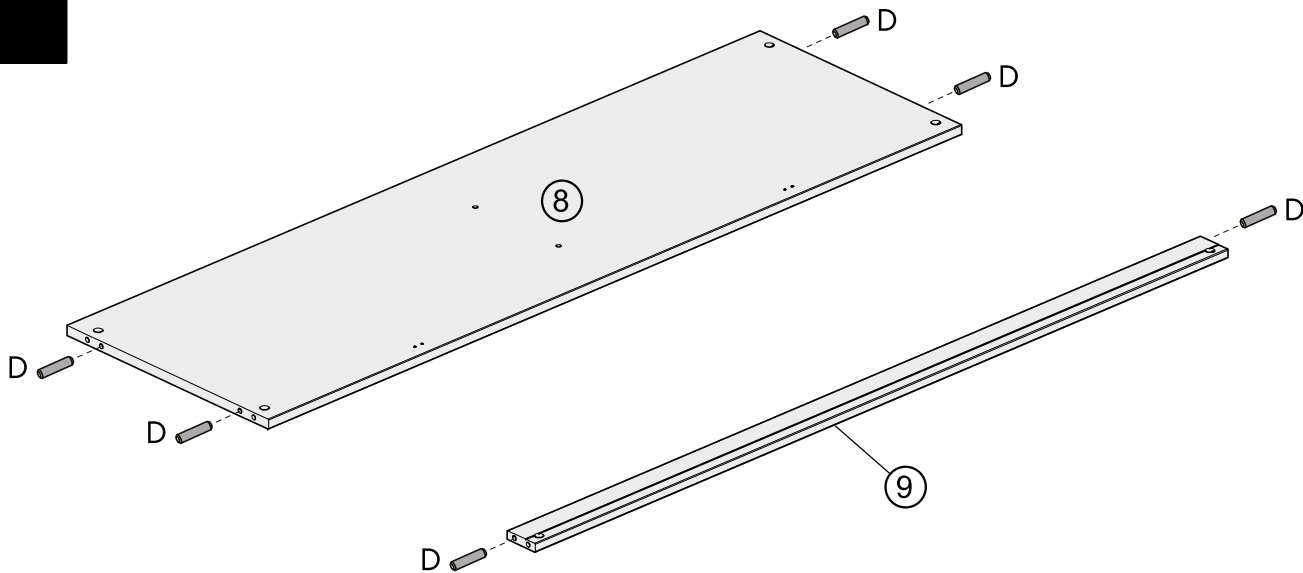
9



M	20 x 12.5mm	8	
---	-------------	---	---

x2

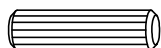
10



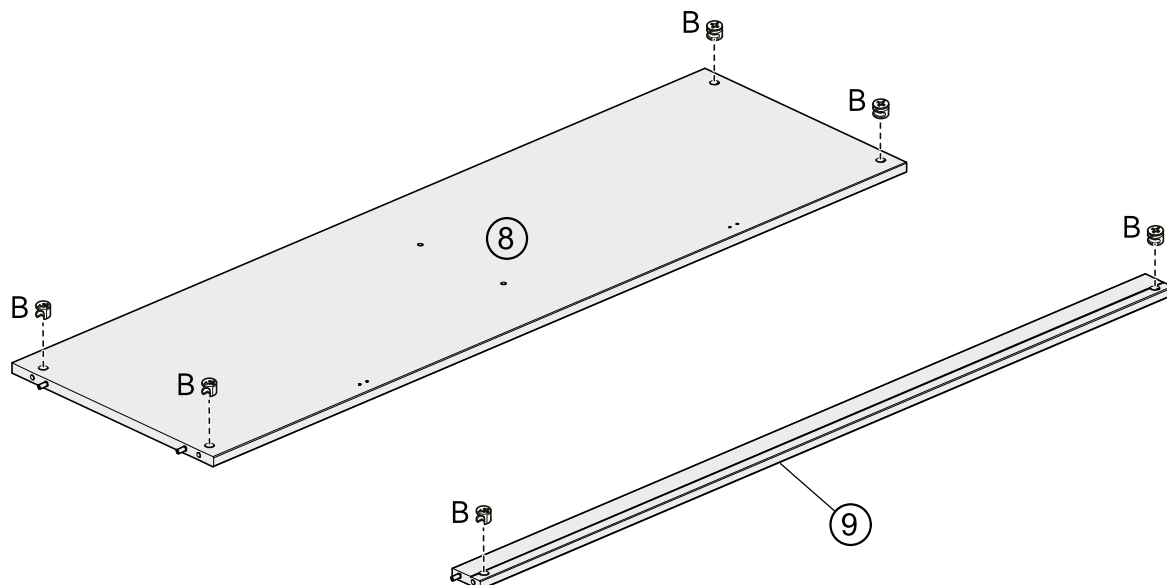
D

8 x 30mm

6



11



C

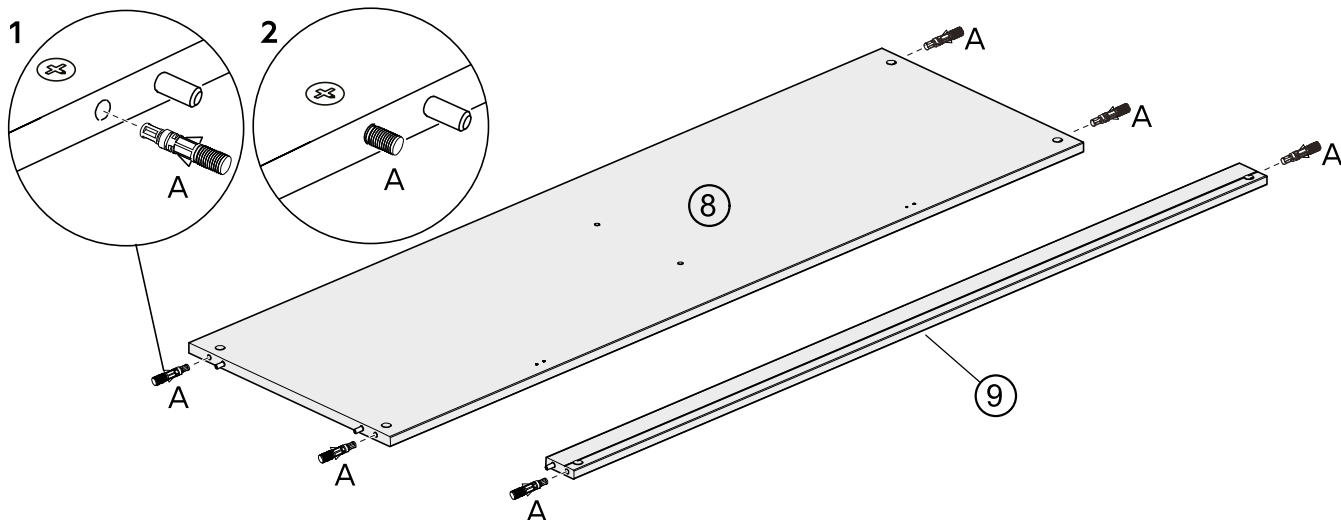
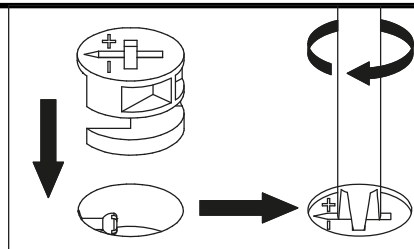
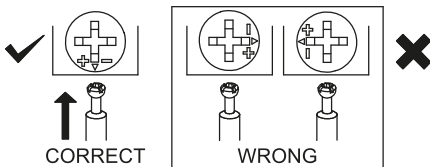
15 x 12.5mm

6



12

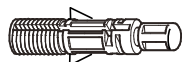
WHEN FITTING CAMS
ENSURE STARTING POSITION IS CORRECT
BEFORE YOU INSERT CONNECTING CAM-PILLAR
TURN CLOCKWISE UNTIL SECURE



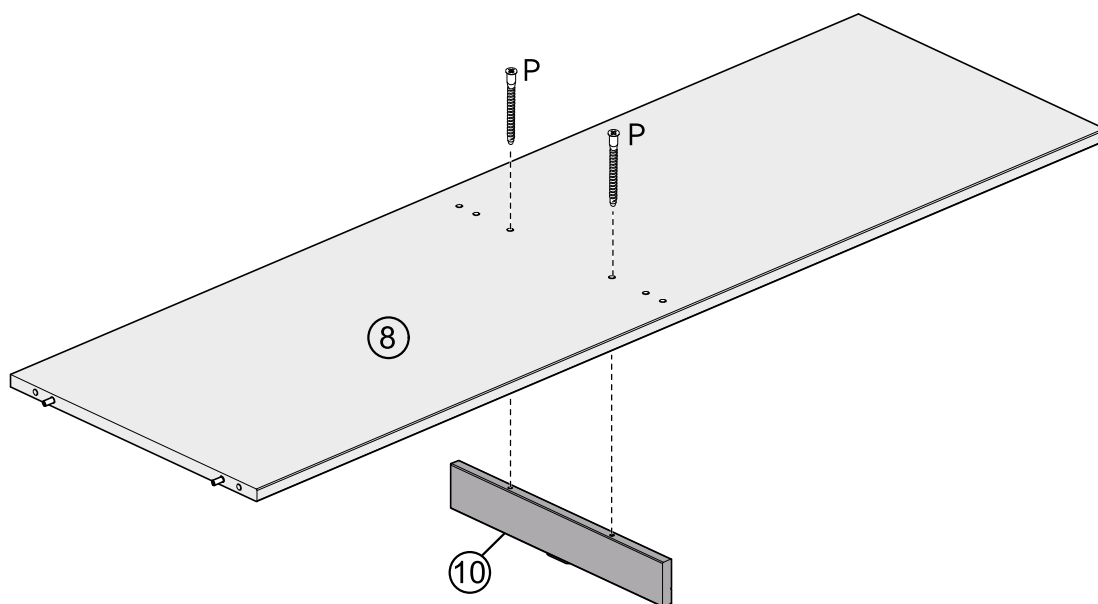
A

8 x 36mm

6



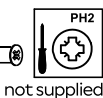
13



P

7 x 50mm

2



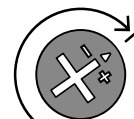
14

DON'T STOP UNTIL THE 2 O'CLOCK LOCK

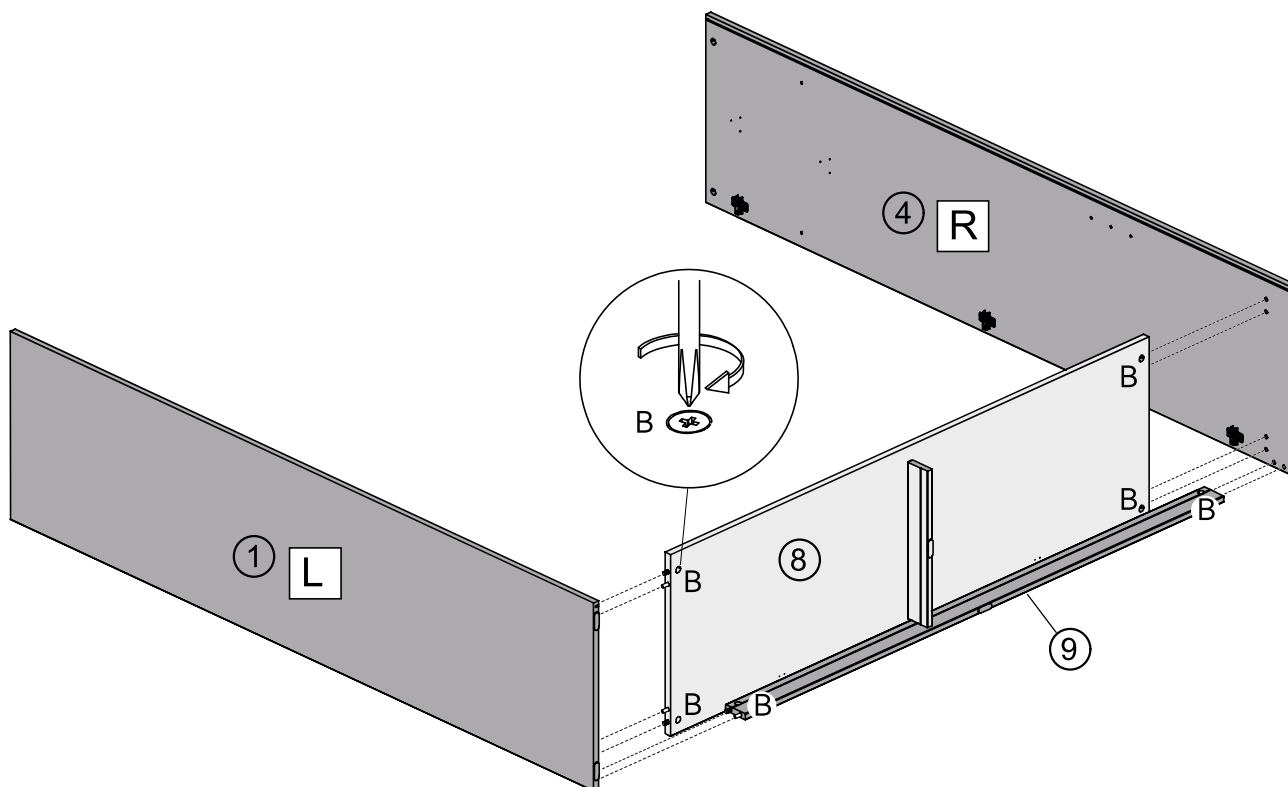
TURN THE CAM IN A CLOCKWISE DIRECTION UNTIL THE
ARROW POINTS IN THE POSITIONS SHOWN IN THE
DIAGRAMS BELOW



START



CORRECT
LOCK



not supplied

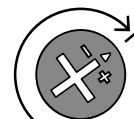
15

DON'T STOP UNTIL THE 2 O'CLOCK LOCK

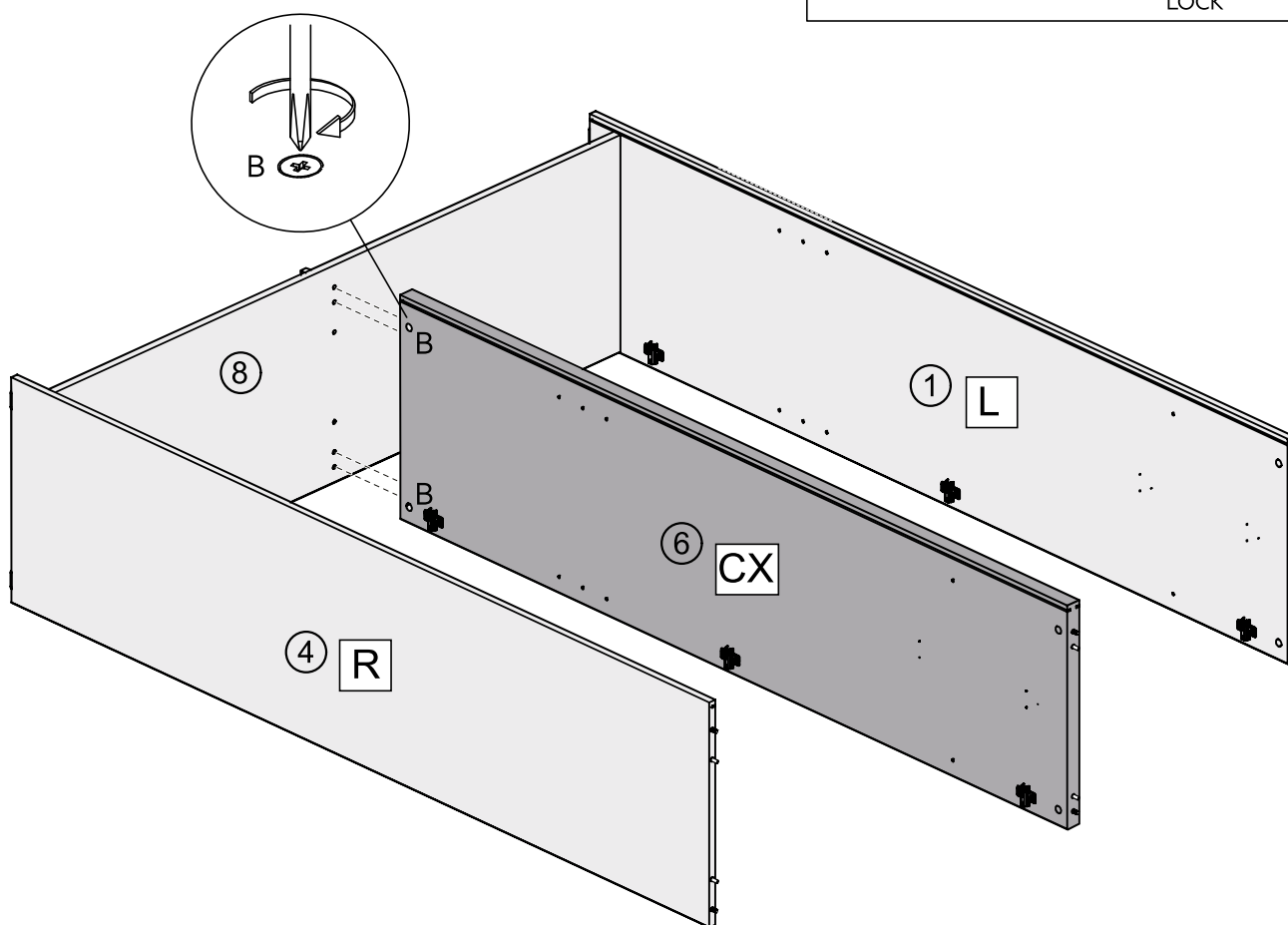
TURN THE CAM IN A CLOCKWISE DIRECTION UNTIL THE ARROW POINTS IN THE POSITIONS SHOWN IN THE DIAGRAMS BELOW



START

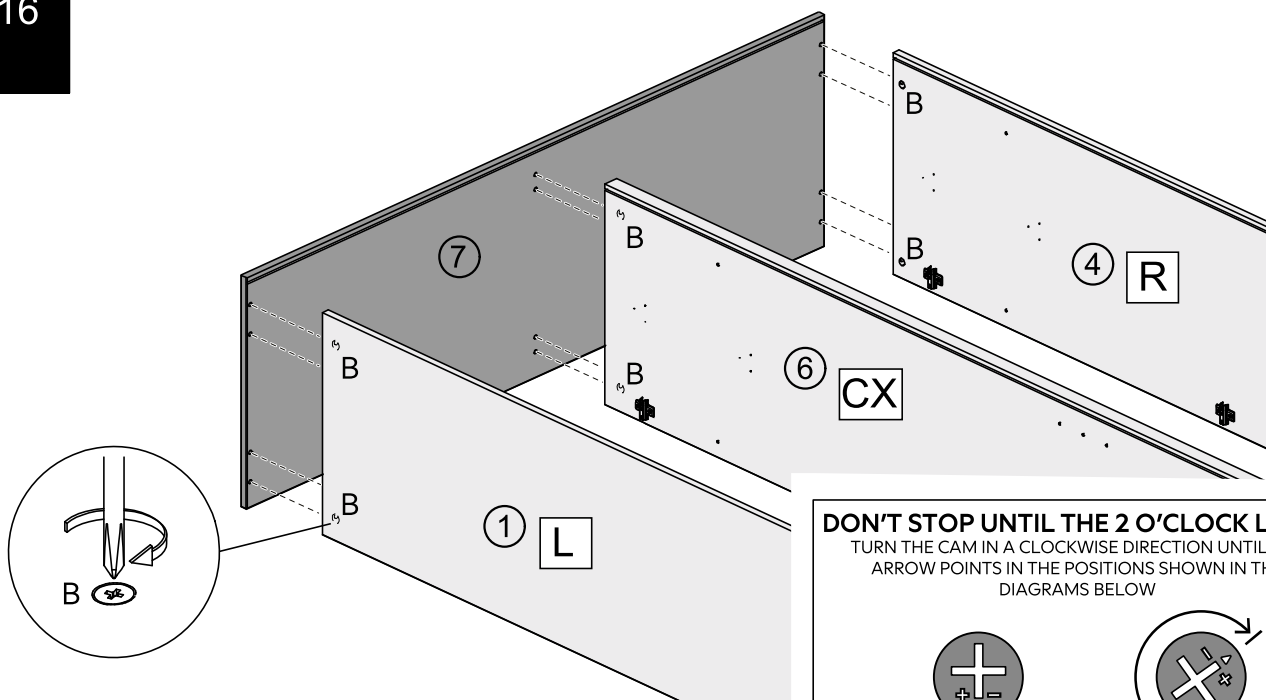


CORRECT LOCK

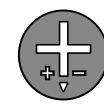


not supplied

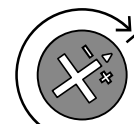
16



DON'T STOP UNTIL THE 2 O'CLOCK LOCK
 TURN THE CAM IN A CLOCKWISE DIRECTION UNTIL THE
 ARROW POINTS IN THE POSITIONS SHOWN IN THE
 DIAGRAMS BELOW

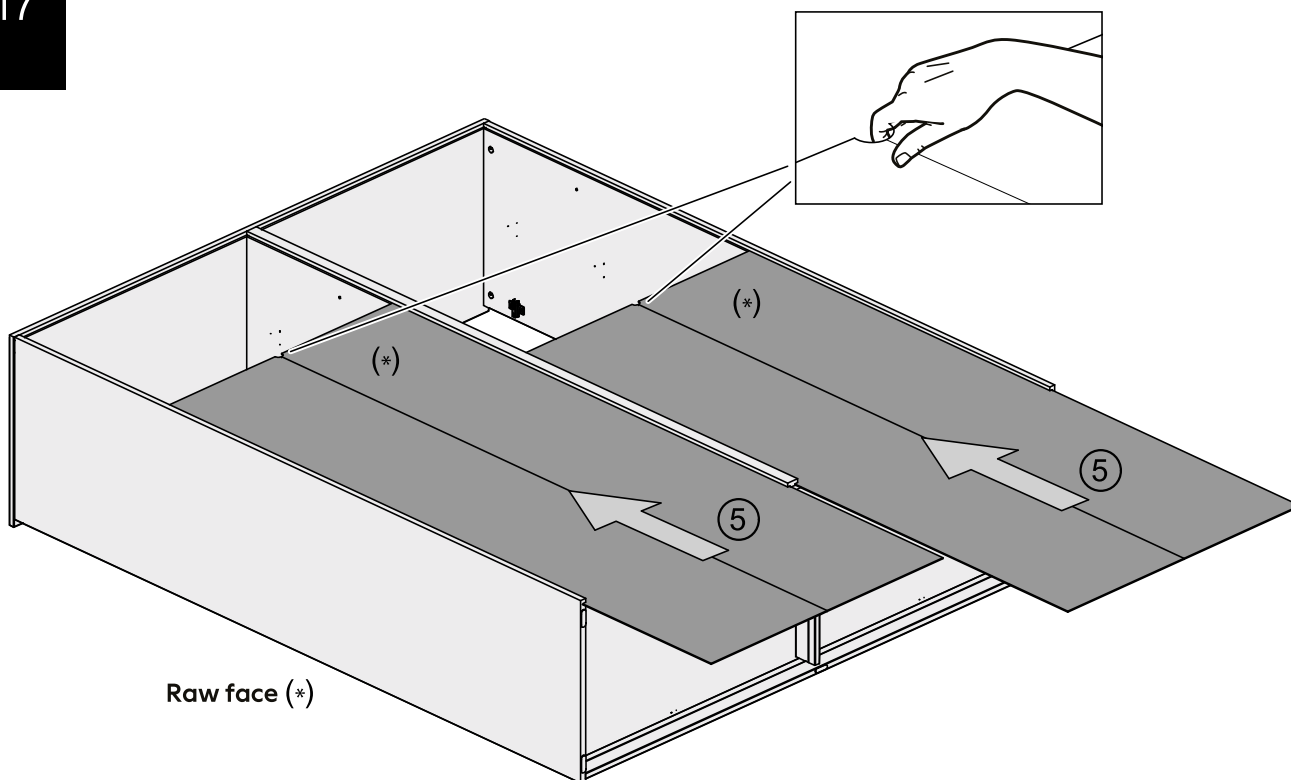


START



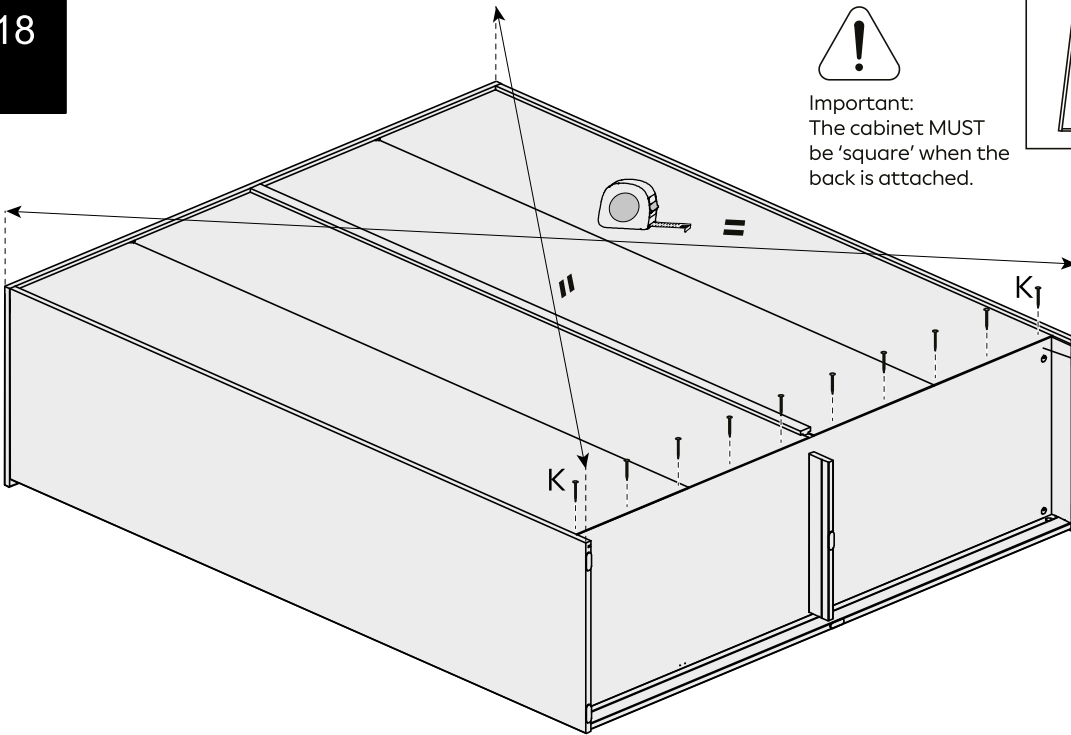
CORRECT
 LOCK

17

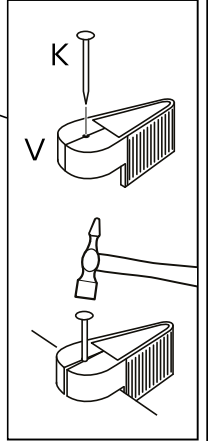
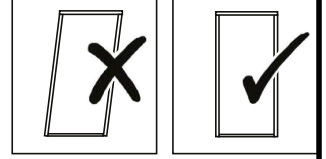


Raw face (*)

18

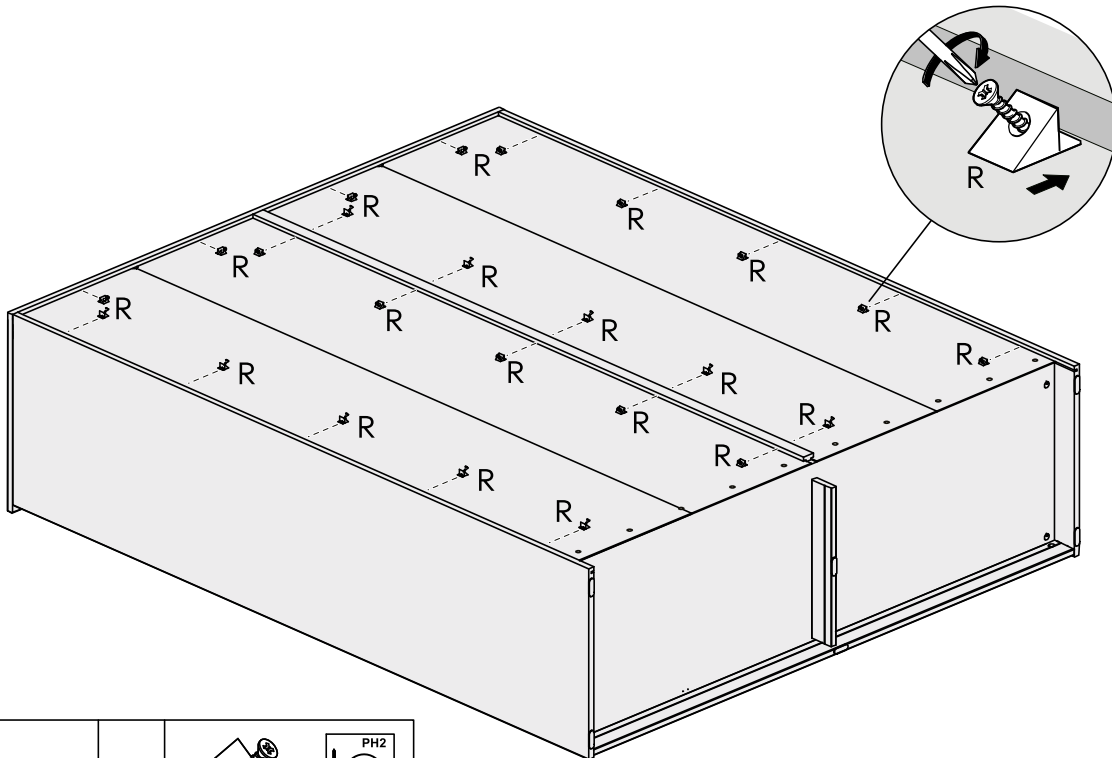


Important:
The cabinet MUST
be 'square' when the
back is attached.



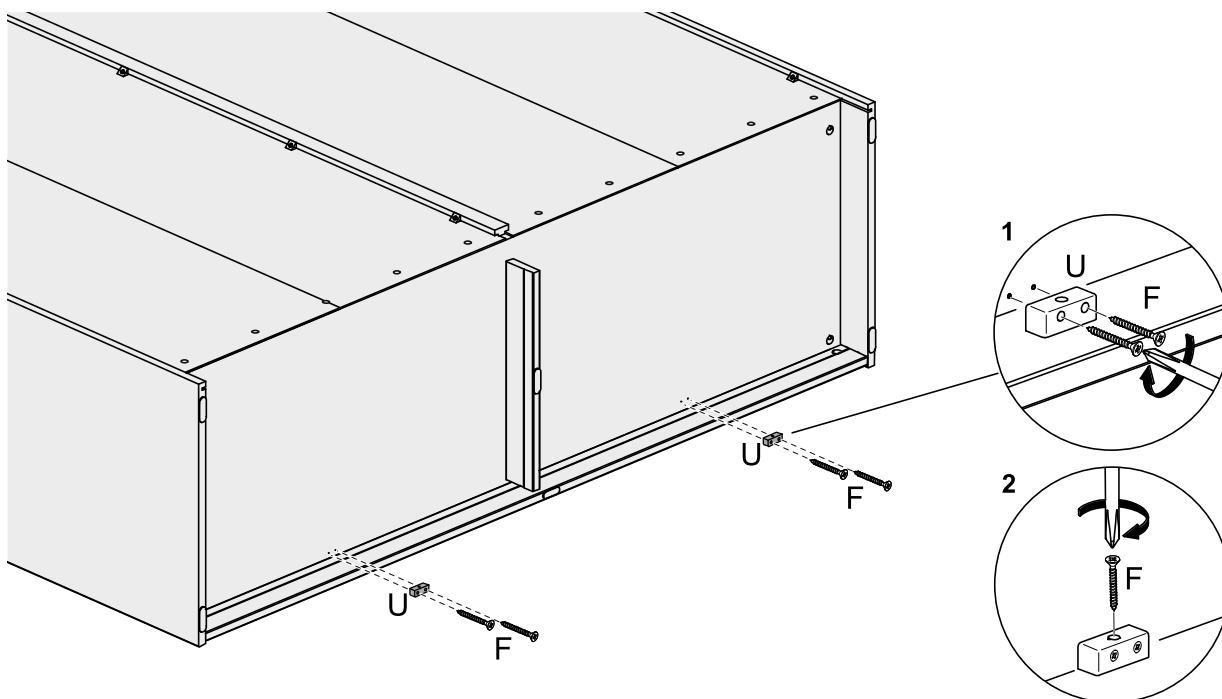
K	1.5 x 25mm	10			V	N/A	1	
---	------------	----	--	--	---	-----	---	--

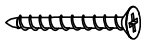

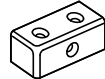
19



R	N/A	24			not supplied
---	-----	----	--	--	--------------

20



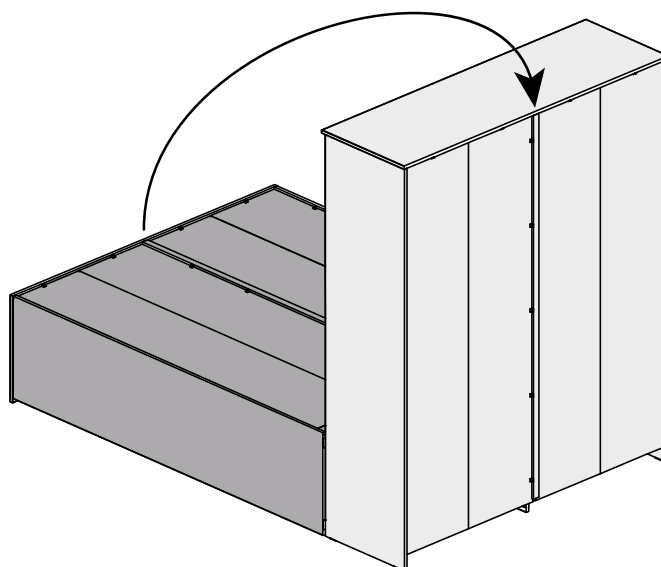
F	3.5 x 25mm	6	  not supplied	U	13x13x35mm	2	
---	------------	---	---	---	------------	---	---

21



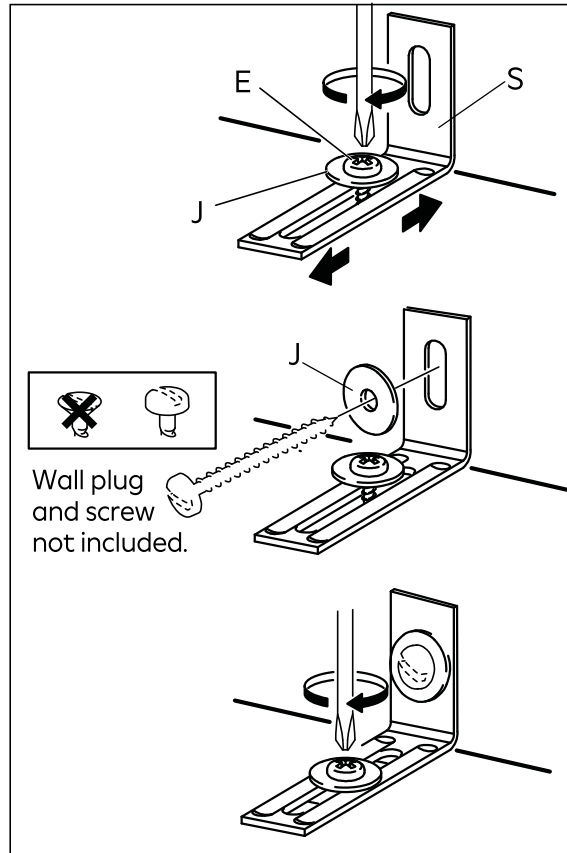
Carefully lift the unit upright

The unit should be lifted by two people



Warning

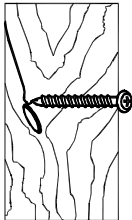
For floor standing units intended to be attached to the building: **WARNING** In order to prevent overturning this product must be used with the wall attachment device provided. Move unit into desired position. Secure the "L" metal bracket to the wall with an appropriate screw and wall plug for your wall type (not provided).
Warning: Always ensure intended wall area to be drilled is free from hidden electrical wires, water and gas pipes.
NB: Wall fixings are not included-Please source suitable fixing for your wall type. If in doubt please consult a qualified trades person.



Wall fixing - if in doubt seek professional advice

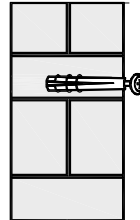
Wood

If fixing to wood make sure that it isn't chipboard as screws can easily pull away from the core structure



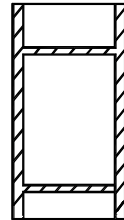
Brick or Masonry

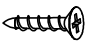
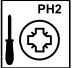

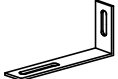
Use an appropriate wall plug provided you are sure your wall is sound.



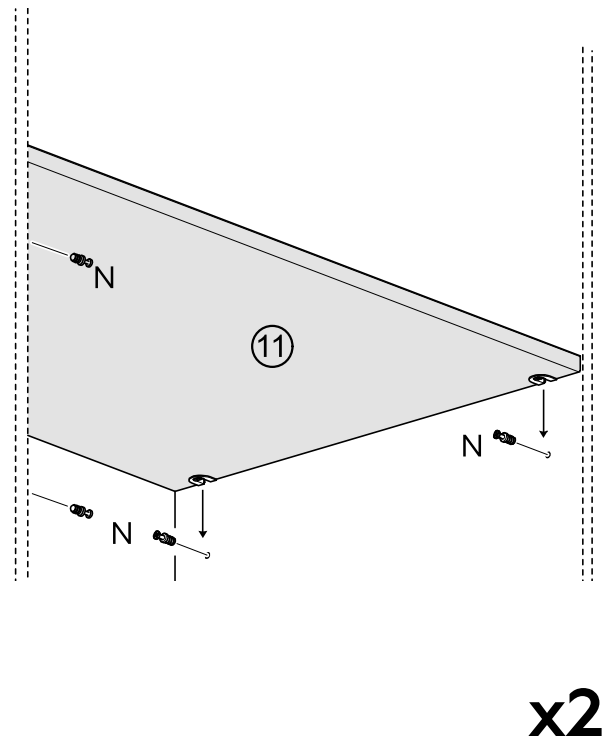
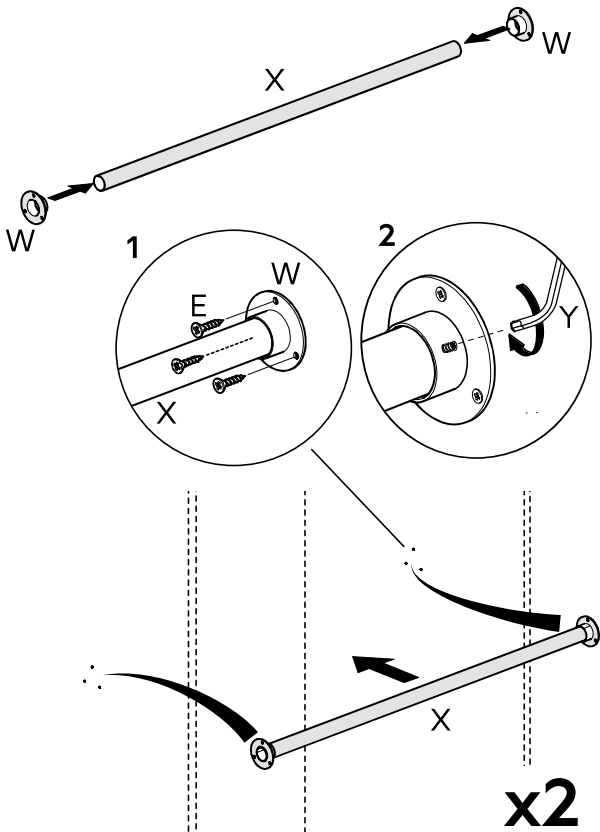
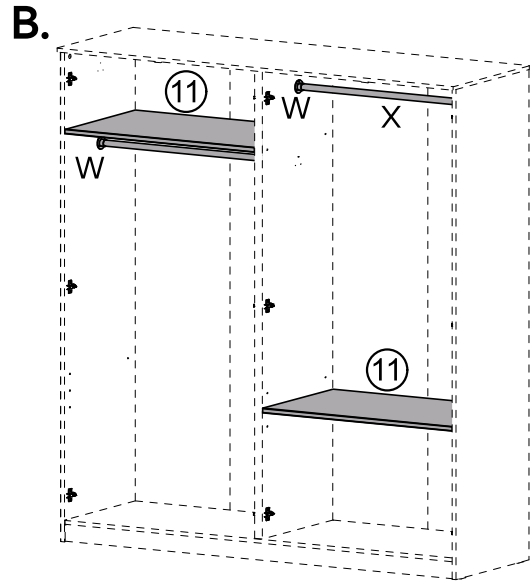
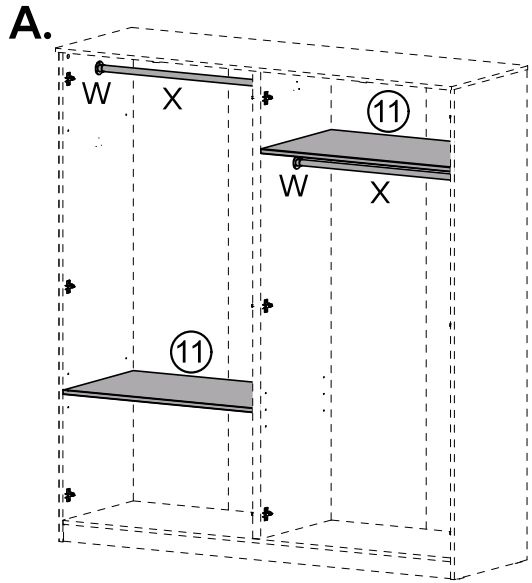
Cavity wall



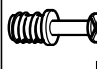


Special toggle wall plugs are needed. Seek expert advice.

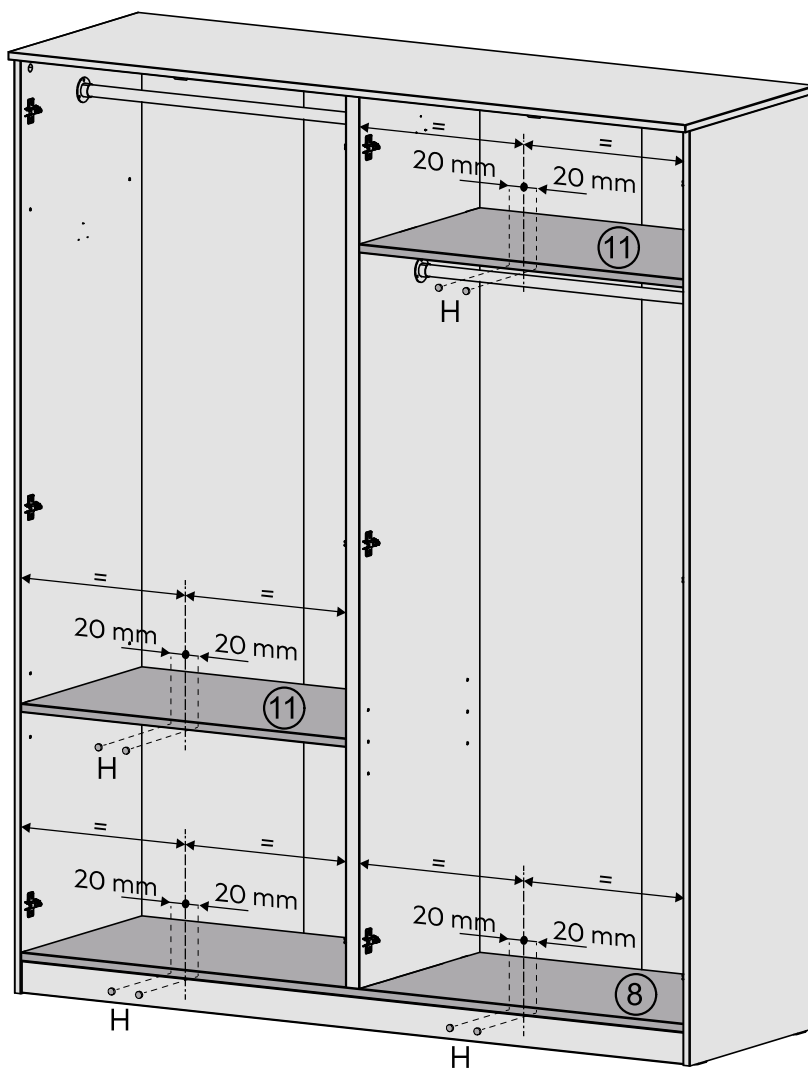


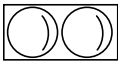
E	3.5x15mm	2		 not supplied	J	Ø5x15mm	4	
S	76x32x15mm	2						

23

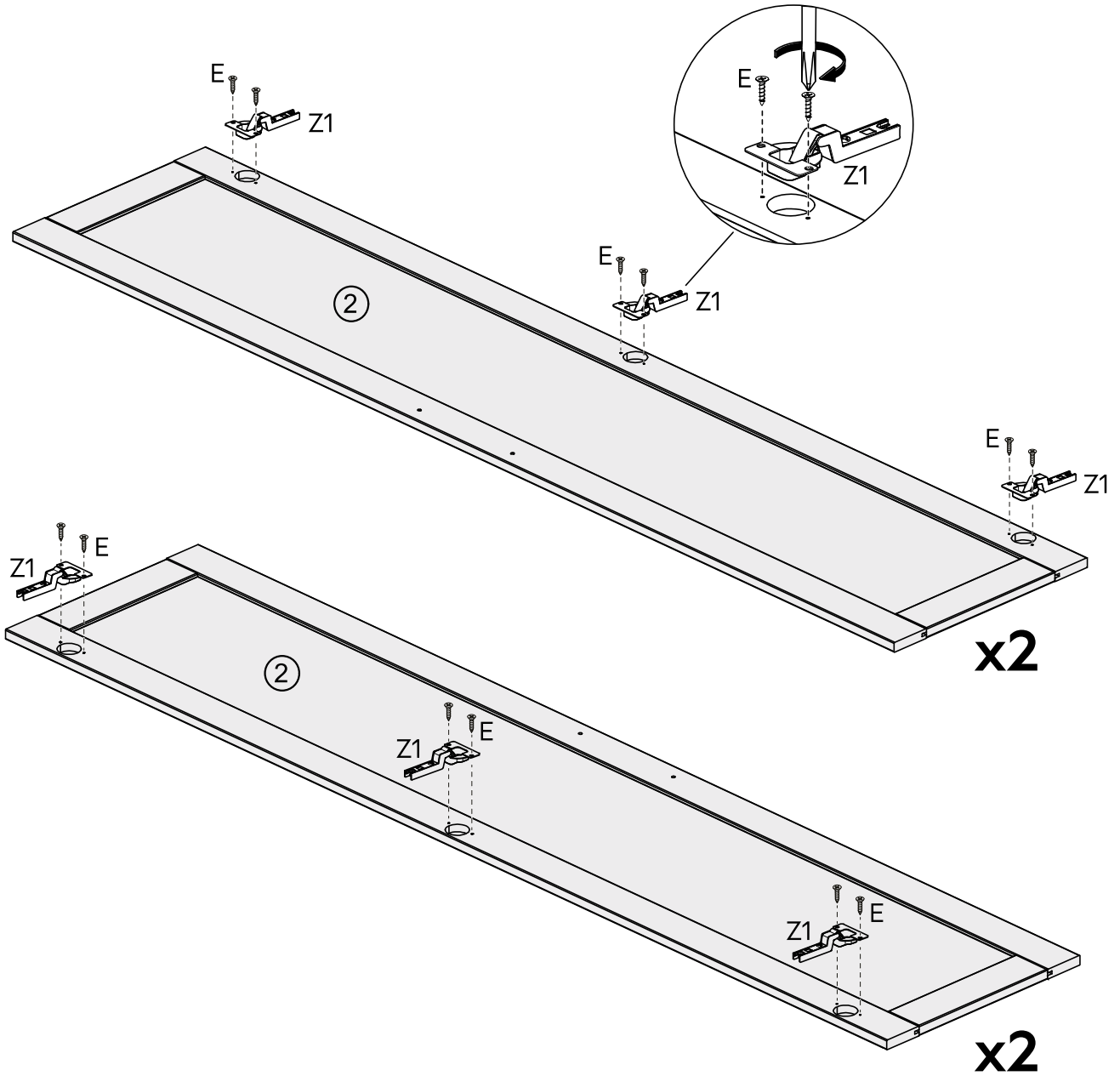


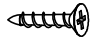
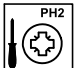
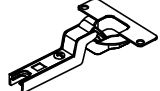
E	3.5x15mm	12	 not supplied	X	Ø25x746mm	2		N	9x17mm	8	 not supplied
W	N/A	4		Y	N/A	1					

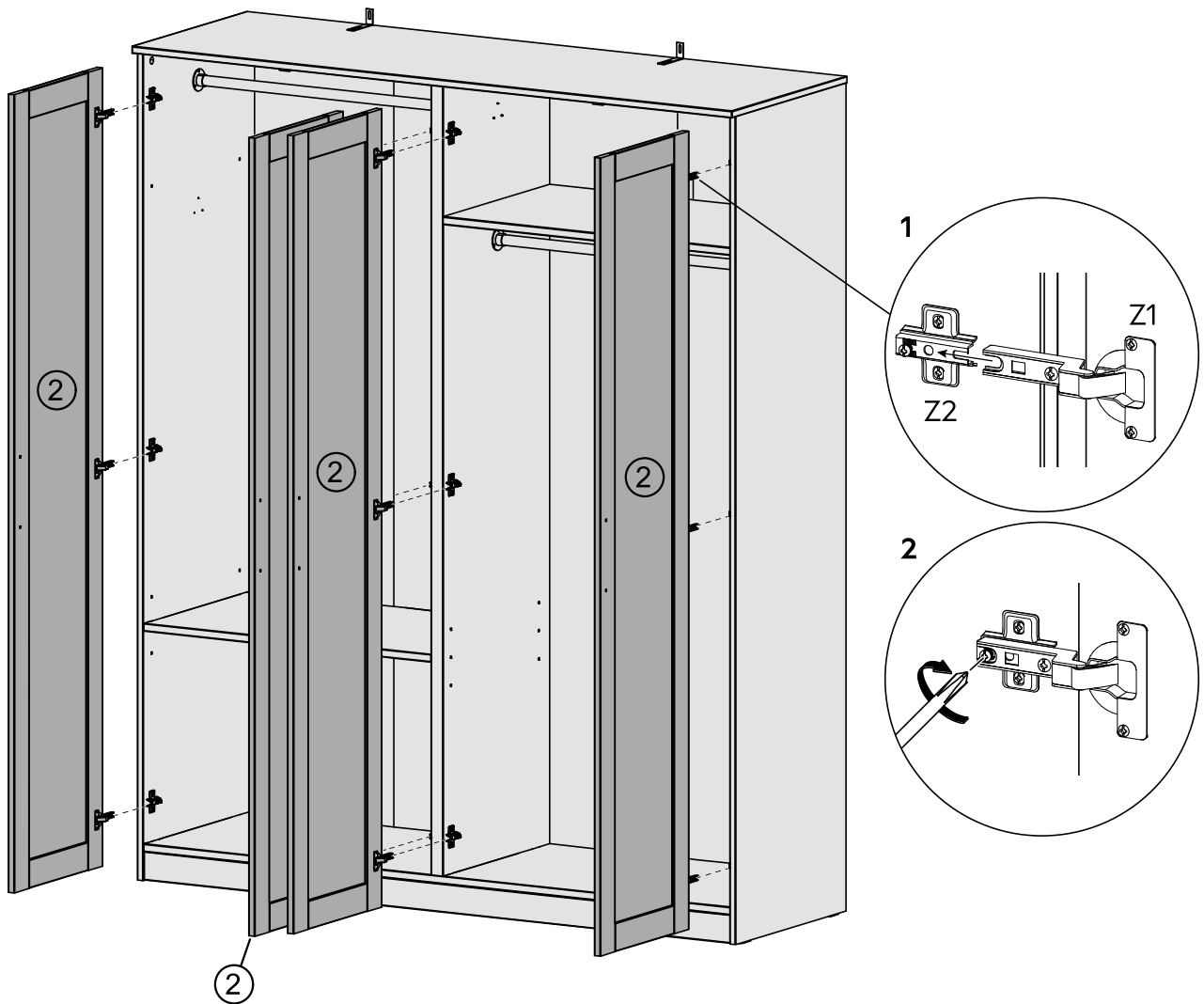


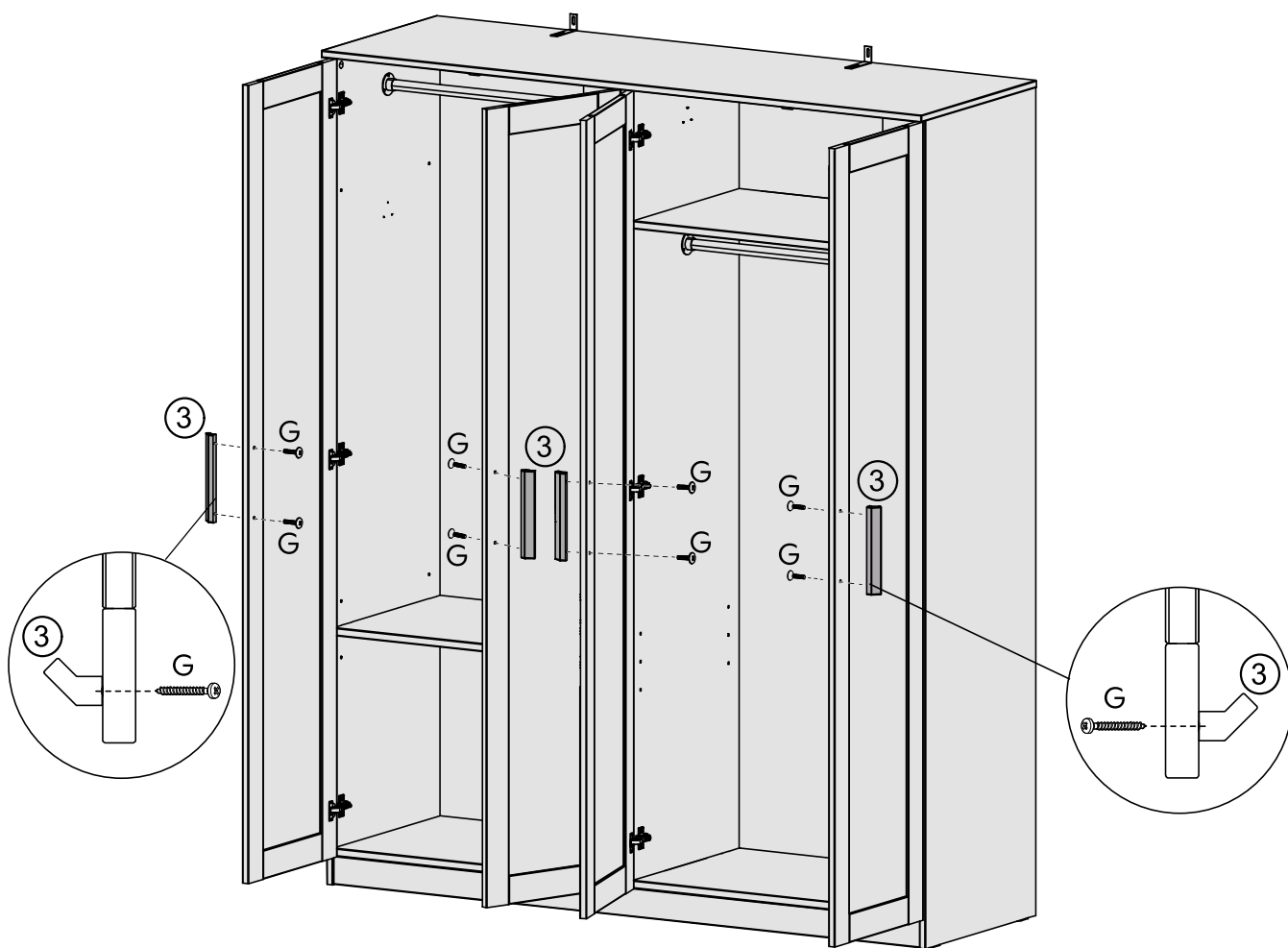
H	Ø10x15mm	4	
---	----------	---	---

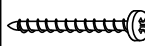
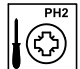
25



E	3.5x15mm	24		 not supplied	Z1	N/A	12	
---	----------	----	---	---	----	-----	----	---

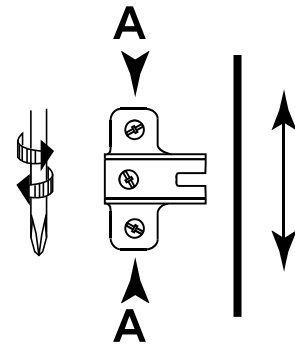
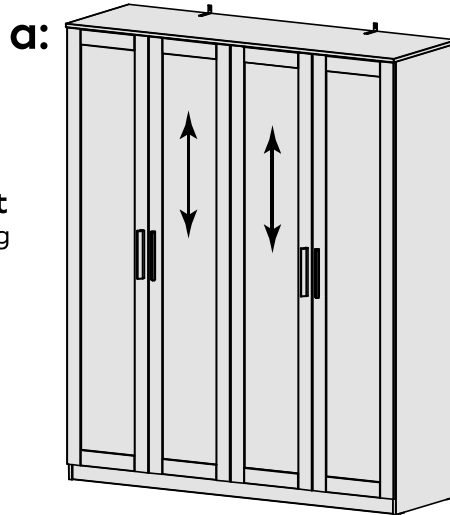




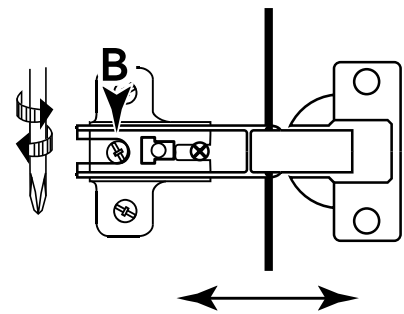
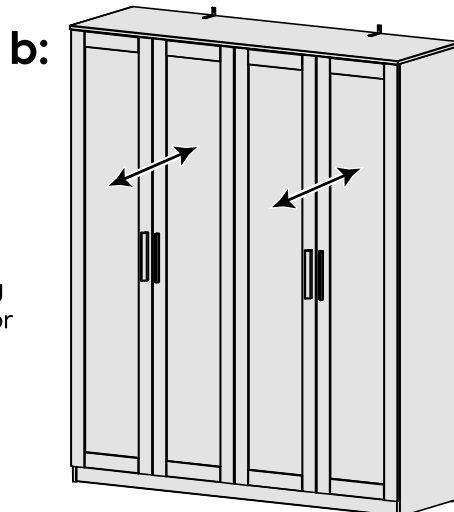
G	4 x 30mm	8	  not supplied
---	----------	---	---

HINGE ADJUSTMENT INSTRUCTIONS

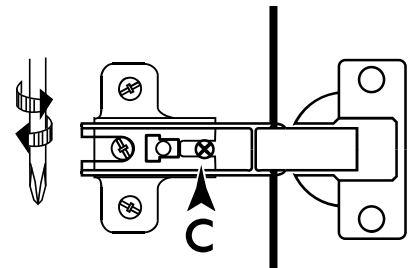
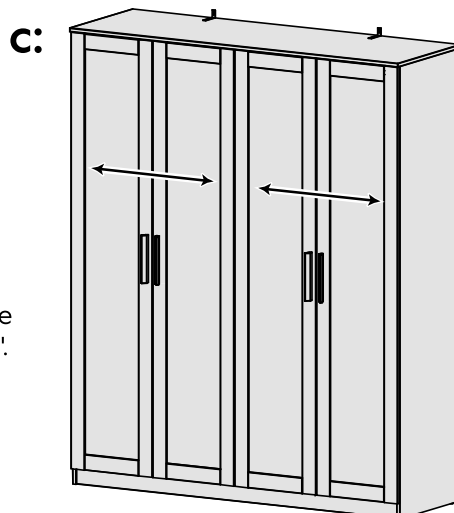
a: Height adjustment
Loosen screws 'A' on fixing plates and move door up or down as required. Retighten screws 'A'.



b: Forward or backwards adjustment
Loosen screw 'B' on fixing plate and move Door in or out as required. Retighten screw 'B'.



c: Sideways adjustment
To move Door 'OUT' at hinge position, slacken screw 'C'.
To move Door 'IN' at hinge position, tighten screw 'C'.



NEXT

FLYNN WARDROBE 4 DOORS

F75518

Assembly instructions

Actual product size
H190 x W156.4 x D50.2 cm

